



US00D553467S

(12) **United States Design Patent**
Ryan

(10) **Patent No.:** **US D553,467 S**

(45) **Date of Patent:** **** Oct. 23, 2007**

- (54) **KNIFE**
- (75) Inventor: **Steven T. Ryan**, Westminster, CA (US)
- (73) Assignee: **Surefire, LLC**, Fountain Valley, CA (US)
- (**) Term: **14 Years**
- (21) Appl. No.: **29/254,471**
- (22) Filed: **Feb. 22, 2006**

- (51) **LOC (8) Cl.** **08-03**
- (52) **U.S. Cl.** **D8/99**
- (58) **Field of Classification Search** D8/98,
D8/99, 107; D22/118; 30/155, 156, 157,
30/158, 159, 160, 161, 151, 344
See application file for complete search history.

(56) **References Cited**
U.S. PATENT DOCUMENTS

4,720,030	A	1/1988	Petrovich	
5,226,237	A	7/1993	Rancour et al.	
D367,599	S *	3/1996	Sakai	D8/99
5,528,834	A	6/1996	Seber et al.	
5,615,484	A	4/1997	Pittman	
D382,459	S	8/1997	Khalsa	
D385,173	S	10/1997	McWillis	
D387,966	S	12/1997	Horn	
5,826,338	A	10/1998	Chilton et al.	
D412,275	S	7/1999	Collins	
5,964,036	A	10/1999	Centofante	
D422,871	S	4/2000	Teruola	
D427,043	S *	6/2000	Cheng	D8/99
D429,986	S *	8/2000	Cheng	D8/99
6,101,724	A *	8/2000	Halligan	30/161
D432,386	S	10/2000	Elishewitz	
D433,914	S *	11/2000	Chu	D8/99
D441,827	S	5/2001	Frank	

6,412,130	B1	7/2002	Kershaw et al.	
D461,387	S	8/2002	Glesser	
6,553,672	B2	4/2003	Glesser et al.	
6,591,504	B2	7/2003	Onion	
6,651,344	B2	11/2003	Cheng	
6,725,545	B2	4/2004	Frank	
6,751,868	B2	6/2004	Glesser	
6,763,592	B2 *	7/2004	Yu	30/161
D497,531	S	10/2004	Carter, III	
6,848,184	B2 *	2/2005	Cheng	30/155
D505,057	S *	5/2005	Ralph	D8/99
6,941,661	B2	9/2005	Frazer	
D523,317	S *	6/2006	Ryan et al.	D8/99
2002/0157260	A1 *	10/2002	Cheng	30/161
2004/0134075	A1	7/2004	Chu	
2004/0174700	A1	9/2004	Zirk et al.	

OTHER PUBLICATIONS

Smokey Mountain Knife Works Catalog 2003 p. 8, Smith and Wesson Neck Knives.*

* cited by examiner

Primary Examiner—Philip S. Hyder
(74) *Attorney, Agent, or Firm*—David Weiss

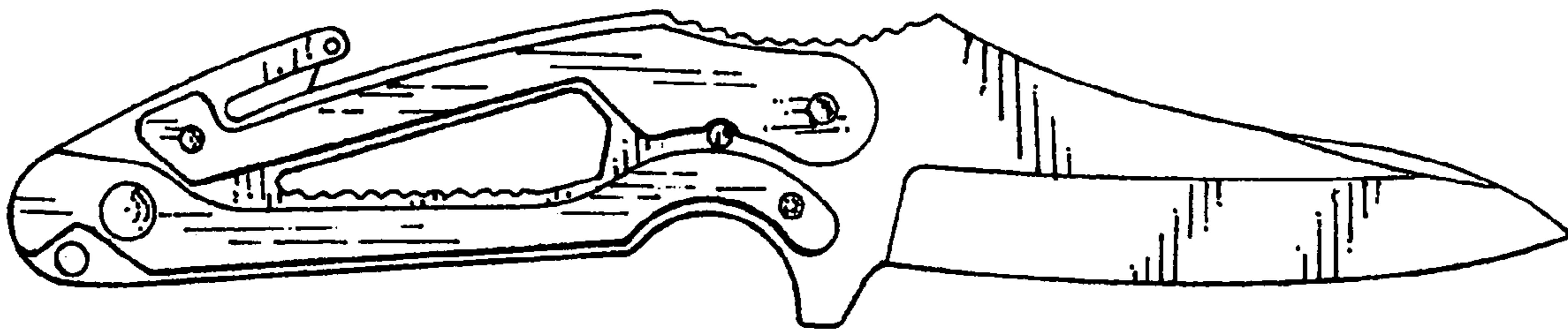
(57) **CLAIM**

The ornamental design for a knife, as shown and described.

DESCRIPTION

FIG. 1 is a right side elevation view of a knife, showing our new design;
FIG. 2 is a left side elevation view thereof;
FIG. 3 is a top plan view thereof;
FIG. 4 is a bottom plan view thereof;
FIG. 5 is a front end elevation view thereof; and,
FIG. 6 is a rear end elevation view thereof.

1 Claim, 1 Drawing Sheet



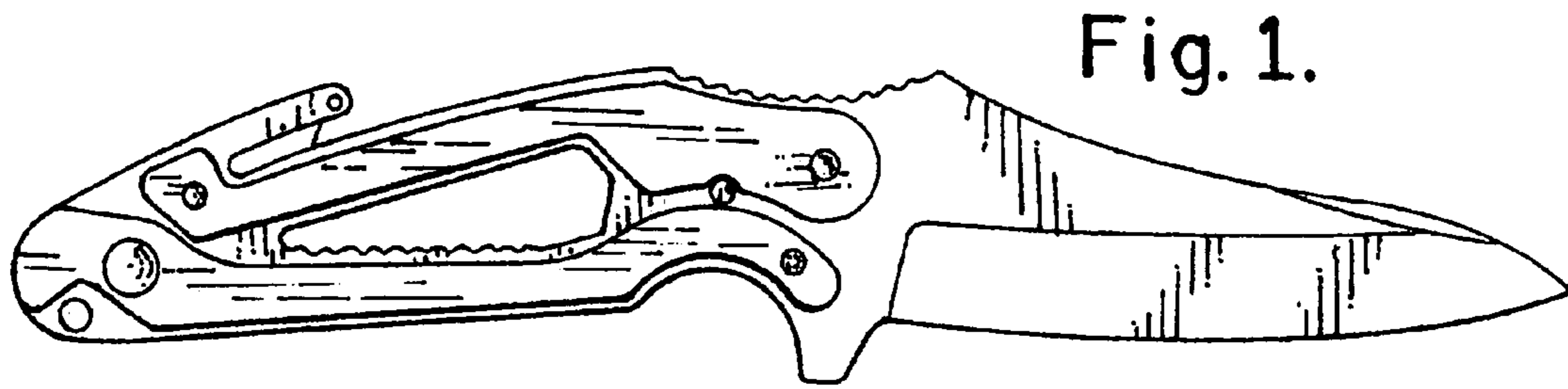


Fig. 1.

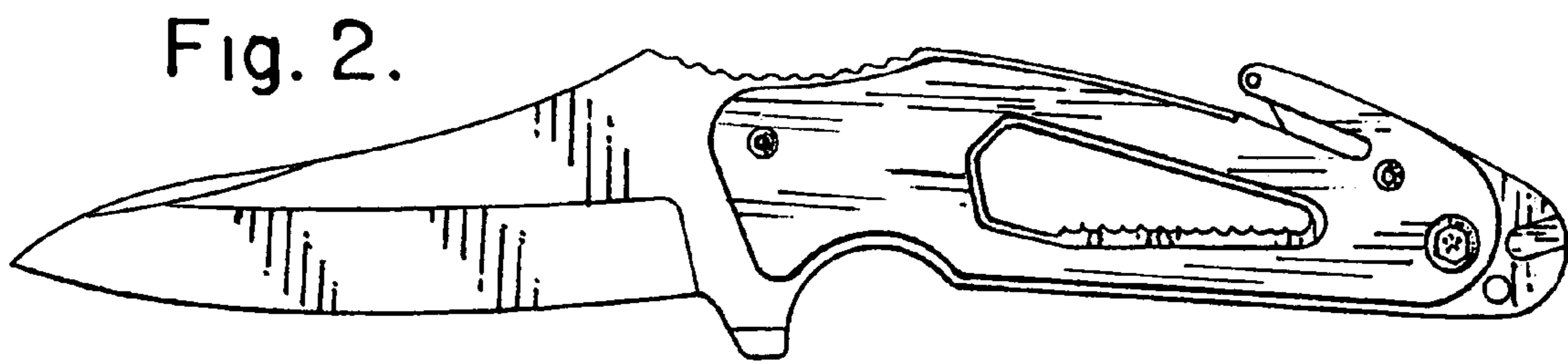


Fig. 2.

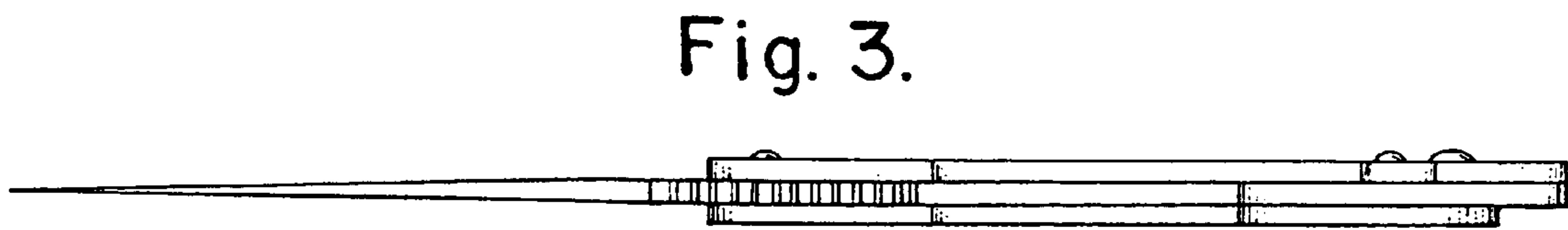


Fig. 3.

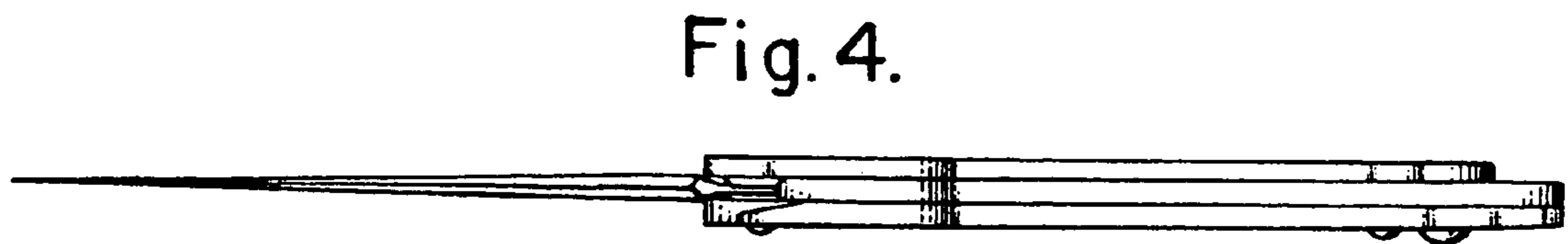


Fig. 4.

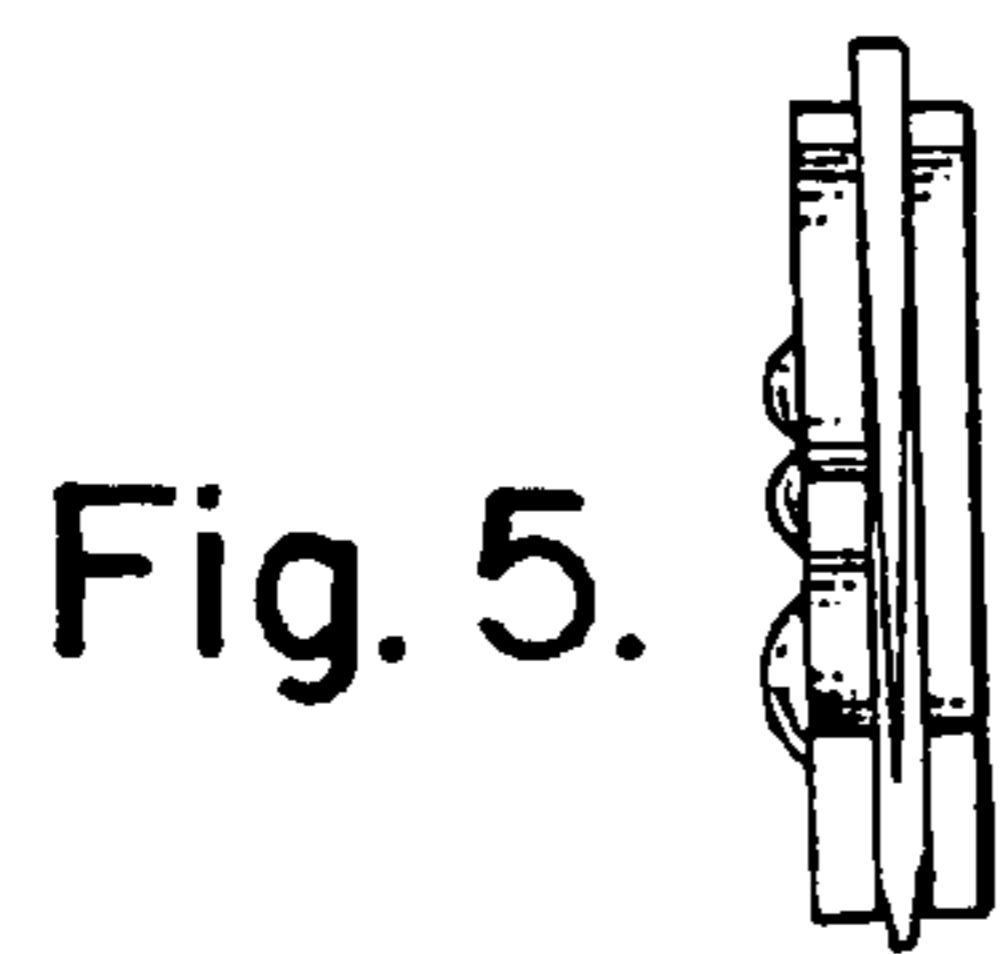


Fig. 5.



Fig. 6.