



US00D553459S

(12) **United States Design Patent** (10) **Patent No.:** **US D553,459 S**  
**Shor** (45) **Date of Patent:** **\*\* Oct. 23, 2007**

(54) **STAPLE GUN TACKER** 6,789,719 B2 \* 9/2004 Shor ..... 227/132  
D517,385 S \* 3/2006 Arns ..... D8/49  
(75) Inventor: **Ilya Shor**, Brooklyn, NY (US) D518,695 S \* 4/2006 Hu ..... D8/49  
D531,469 S \* 11/2006 Osberg et al. .... D8/49

(73) Assignee: **Arrow Fastener Co., Inc.**, Saddle Brook, NJ (US)

\* cited by examiner

(\*\*) Term: **14 Years**

*Primary Examiner*—Cathron C. Brooks  
*Assistant Examiner*—Austin Murphy

(21) Appl. No.: **29/272,376**

(74) *Attorney, Agent, or Firm*—Leon E. Redman; Lloyd D. Doigan

(22) Filed: **Feb. 7, 2007**

(51) **LOC (8) Cl.** ..... **08-01**

(52) **U.S. Cl.** ..... **D8/49**

(58) **Field of Classification Search** ..... D8/49,  
D8/50, 61; D19/72; 227/120, 127, 128,  
227/131, 132, 134, 156

See application file for complete search history.

(56) **References Cited**

**U.S. PATENT DOCUMENTS**

4,184,620 A \* 1/1980 Ewig ..... 227/8  
4,450,998 A \* 5/1984 Ruskin ..... 227/8  
4,706,869 A \* 11/1987 Knispel et al. .... 227/156  
5,699,949 A \* 12/1997 Marks ..... 227/132  
D411,422 S \* 6/1999 Juhlin et al. .... D8/49  
D415,668 S \* 10/1999 Elie ..... D8/49  
D419,411 S \* 1/2000 Elie ..... D8/49  
D454,289 S \* 3/2002 Huang ..... D8/49

(57) **CLAIM**

The ornamental design for a staple gun tacker, as shown and described.

**DESCRIPTION**

FIG. 1 is a rear perspective view of a staple gun tacker showing my new design;

FIG. 2 is a is a front elevational view thereof;

FIG. 3 is a rear elevational view thereof;

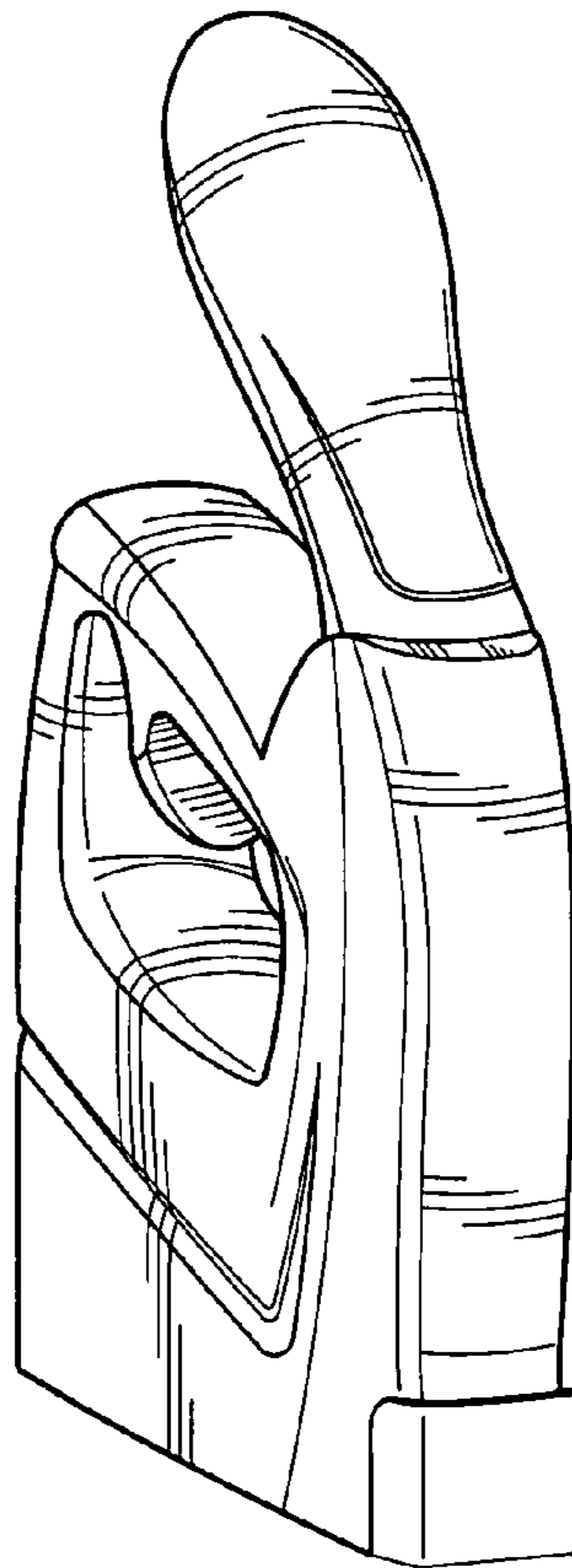
FIG. 4 is a left side elevational view thereof;

FIG. 5 is a right side elevational view thereof;

FIG. 6 is a top plan view thereof; and,

FIG. 7 is a bottom plan view thereof.

**1 Claim, 3 Drawing Sheets**



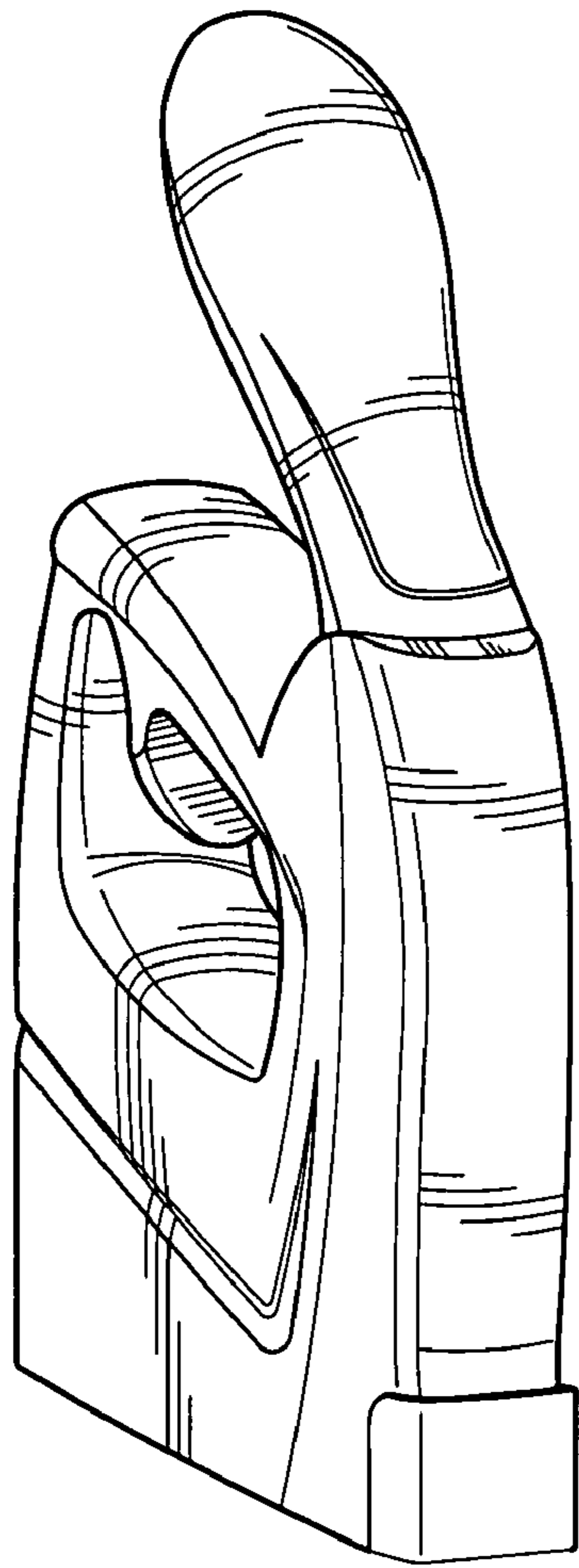


Fig-1

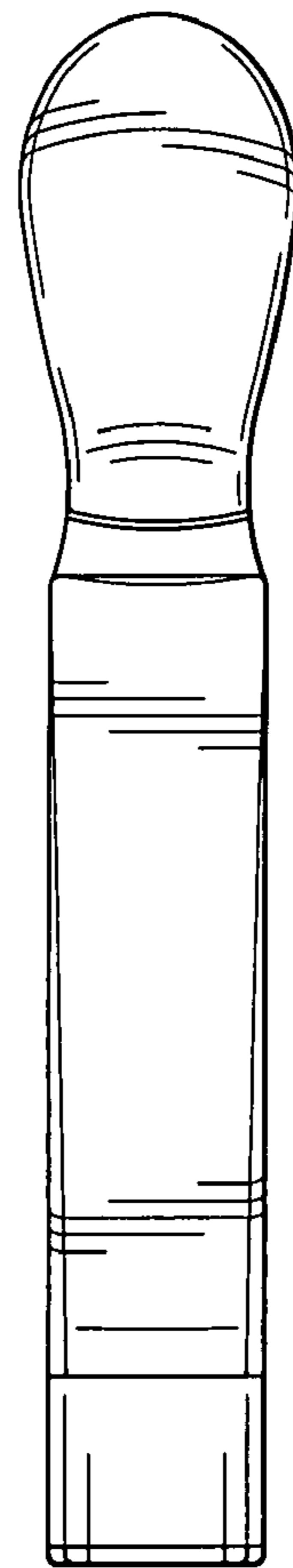


Fig-3

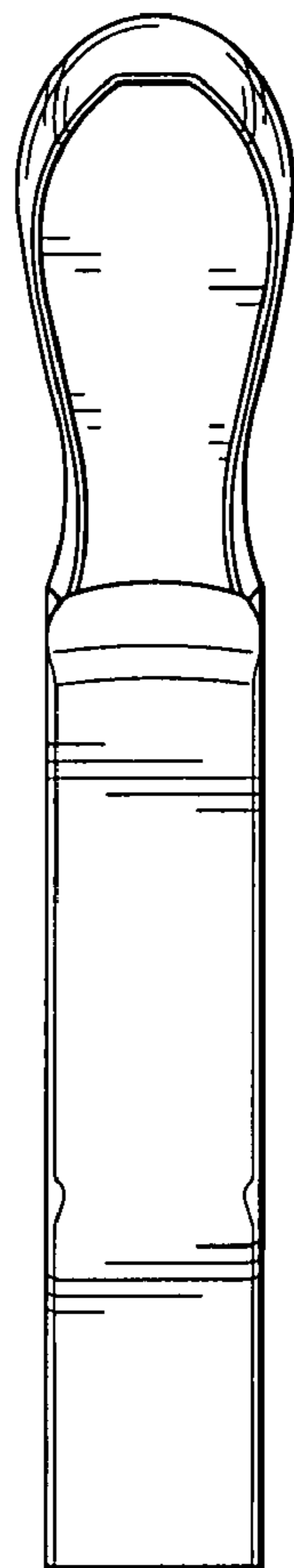


Fig-2

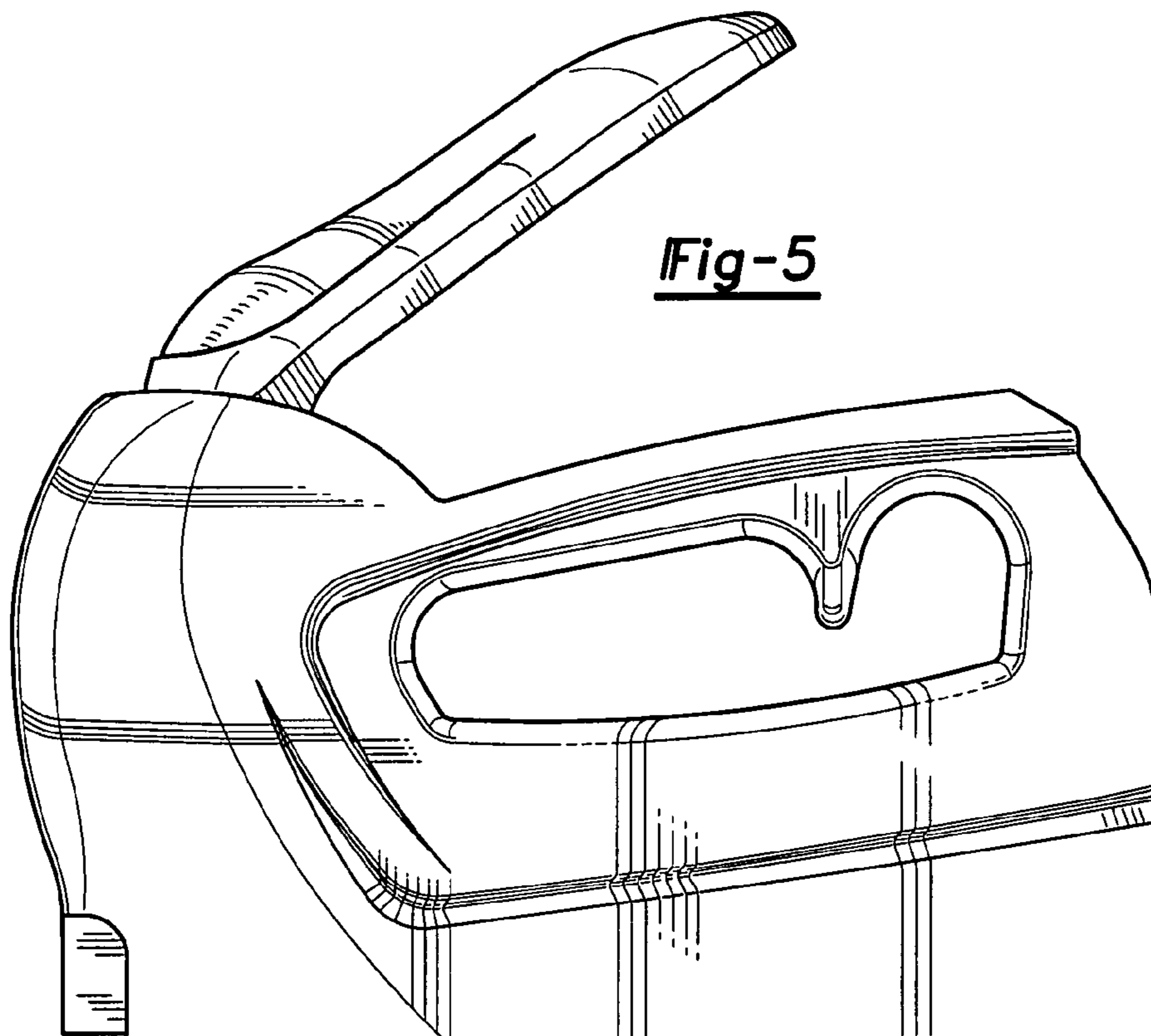
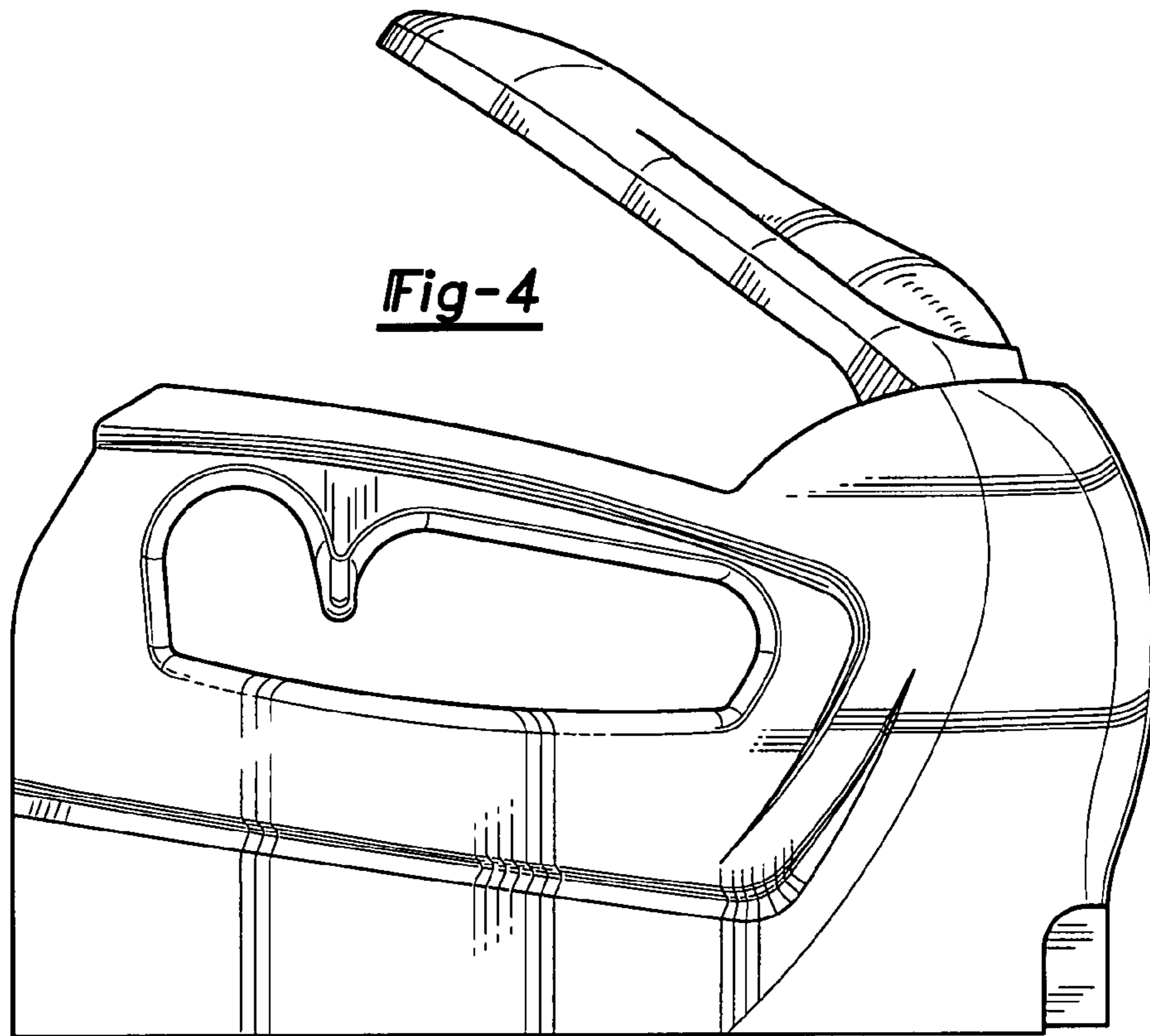


Fig-6

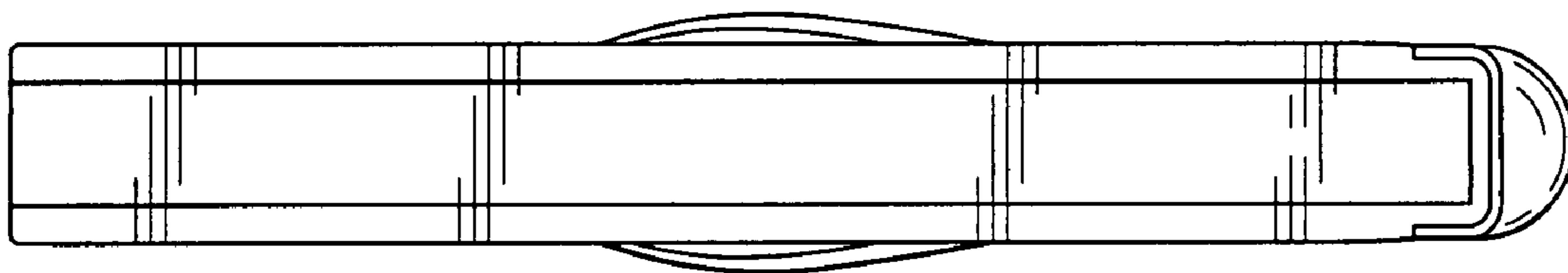
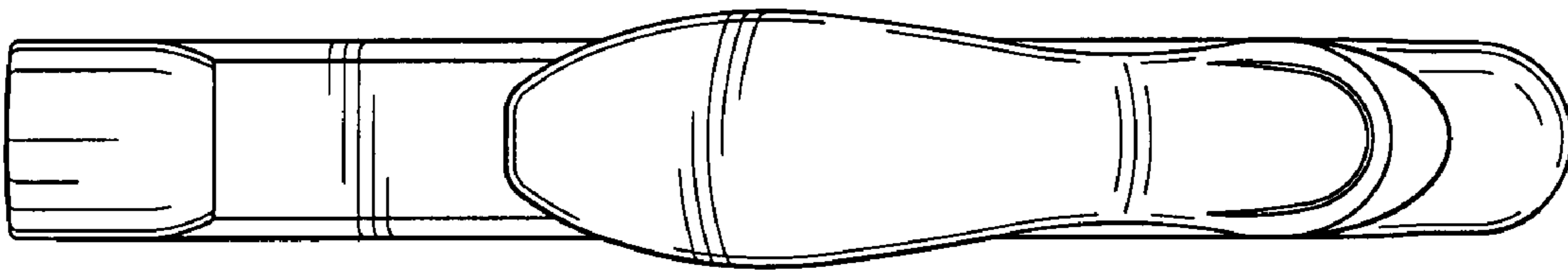


Fig-7