



US00D553458S

(12) **United States Design Patent**
Hood

(10) **Patent No.:** **US D553,458 S**

(45) **Date of Patent:** **** Oct. 23, 2007**

(54) **TAB POPPER**

D454,287 S * 3/2002 Wolf D8/40
D495,937 S * 9/2004 Kelleghan D8/38

(75) Inventor: **Lance L. Hood**, Seattle, WA (US)

(73) Assignee: **Progressive International Corporation**, Kent, WA (US)

(**) Term: **14 Years**

(21) Appl. No.: **29/277,370**

(22) Filed: **Feb. 22, 2007**

(51) **LOC (8) Cl.** **07-99**

(52) **U.S. Cl.** **D8/40**

(58) **Field of Classification Search** D8/16-19,
D8/33-43, 88, 105; 7/113, 151-156; 81/3.07,
81/3.09, 3.27, 3.4, 3.55

See application file for complete search history.

(56) **References Cited**

U.S. PATENT DOCUMENTS

D277,635 S * 2/1985 Sherwood D8/18
4,563,919 A * 1/1986 Sellars 81/3.55
D293,199 S * 12/1987 Grenley D8/18
D334,518 S * 4/1993 Hughes et al. D8/40
D405,331 S * 2/1999 Riccobene D8/18

* cited by examiner

Primary Examiner—Robert M. Spear

Assistant Examiner—Garth Rademaker

(74) *Attorney, Agent, or Firm*—Black Lowe & Graham, PLLC

(57) **CLAIM**

The ornamental design for a tab popper, as shown and described.

DESCRIPTION

FIG. 1 is a top plan view of a tab popper;

FIG. 2 is a front elevation view thereof, the back elevation view being a mirror image thereof;

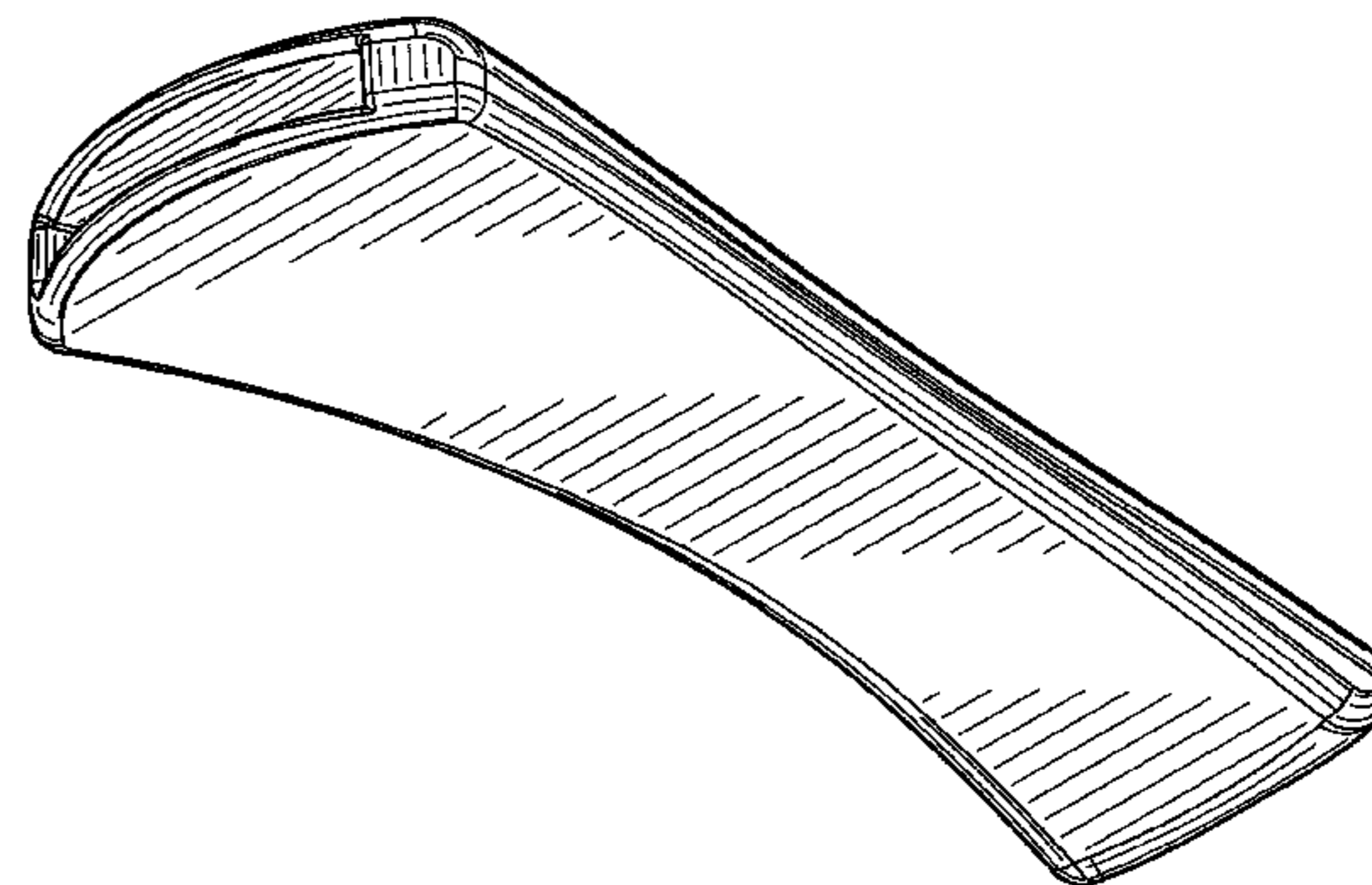
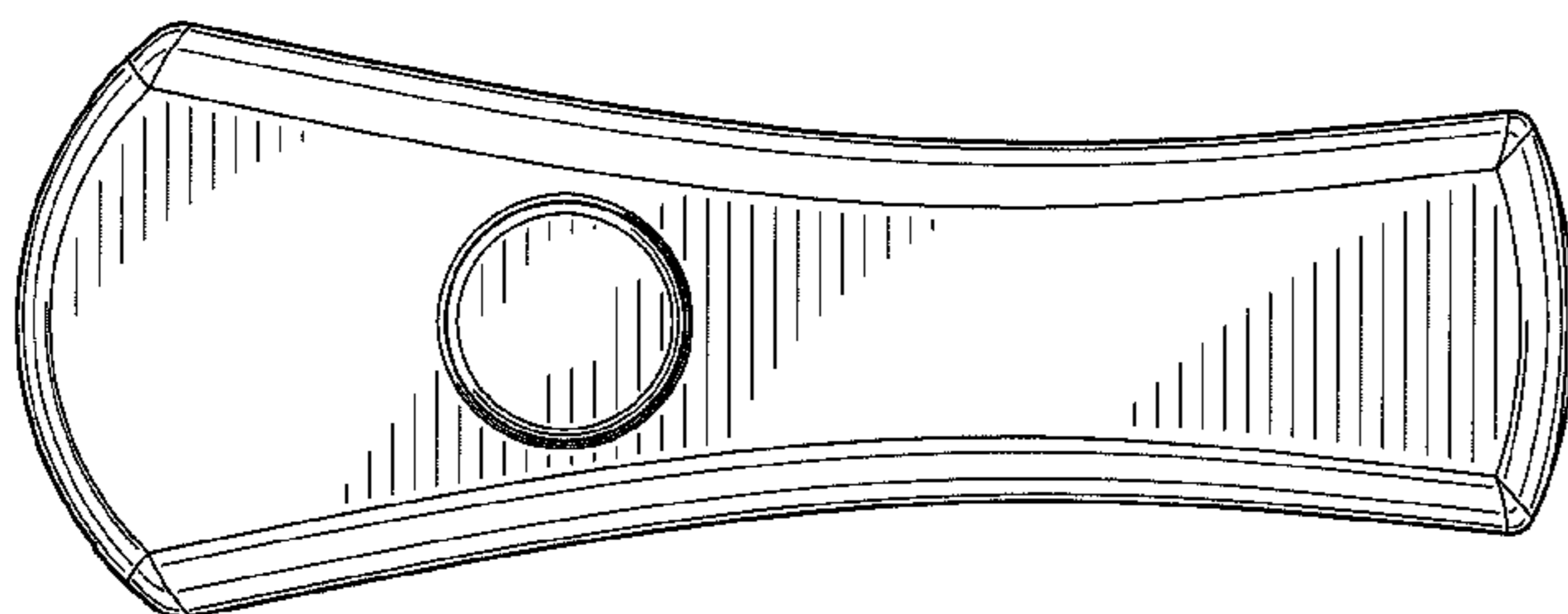
FIG. 3 is a bottom plan view thereof;

FIG. 4 is a left side elevation view thereof;

FIG. 5 is a right side elevation view thereof; and,

FIG. 6 is a perspective view thereof.

1 Claim, 3 Drawing Sheets



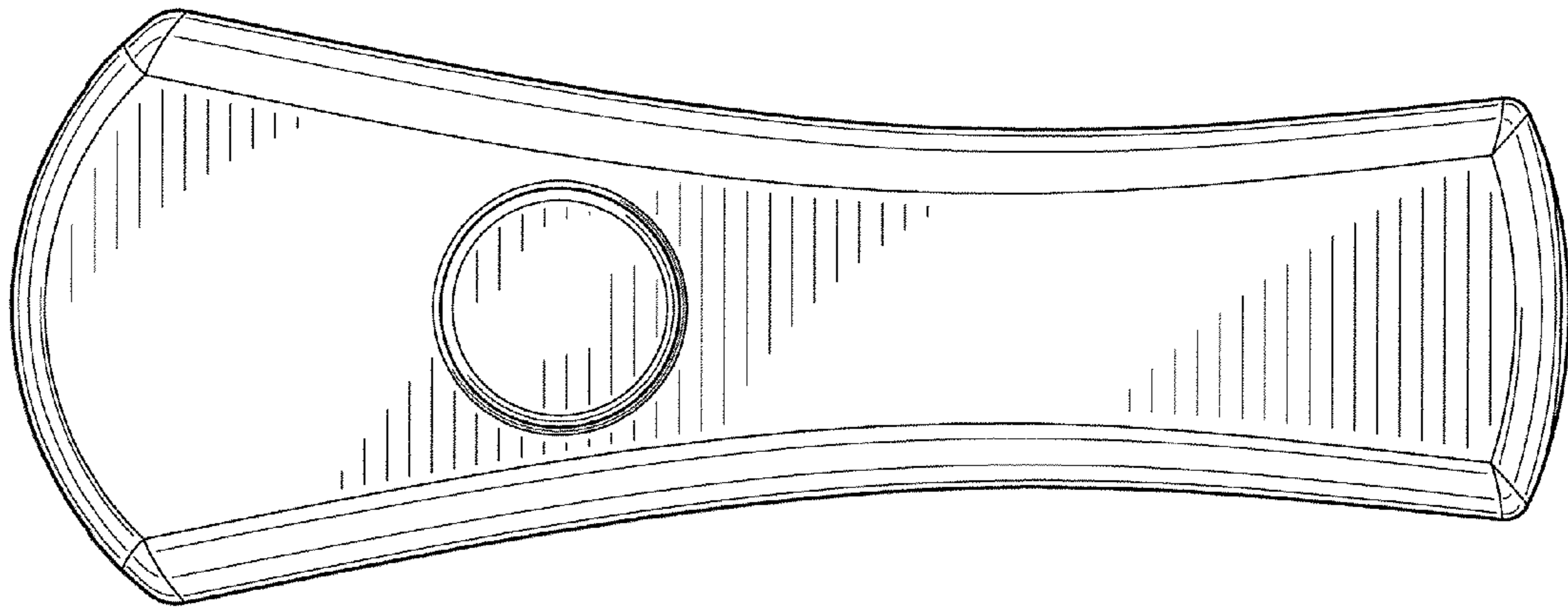


FIG.1

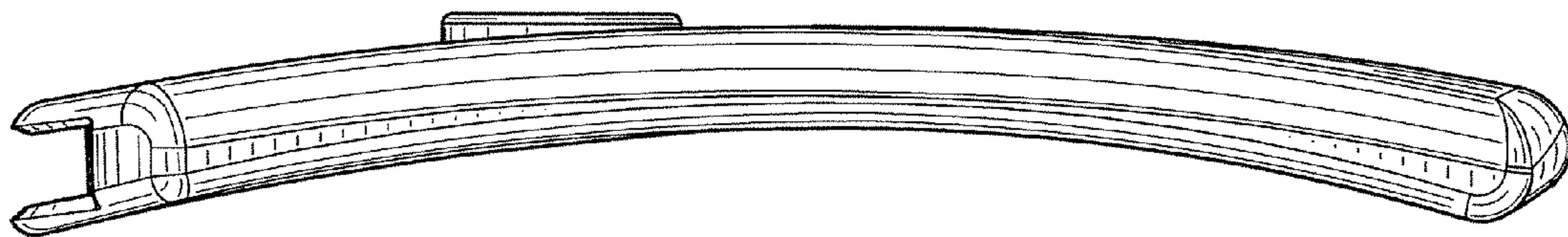


FIG.2

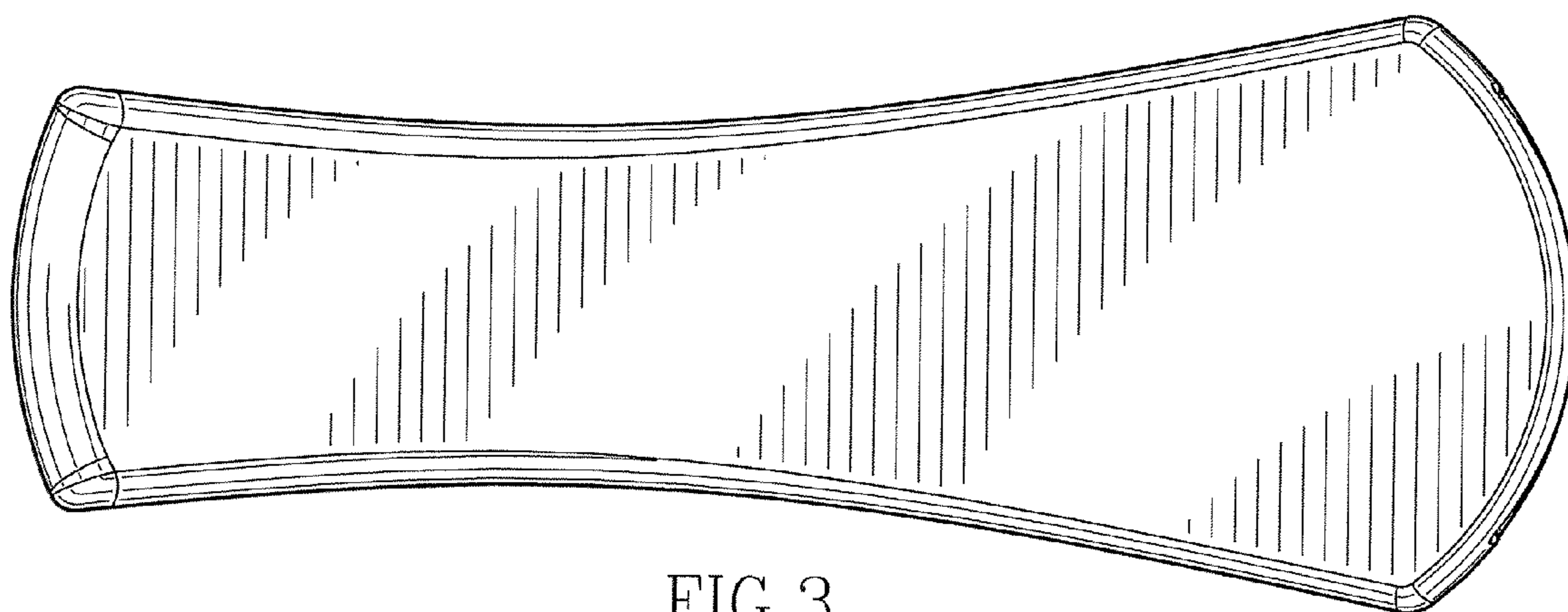


FIG. 3

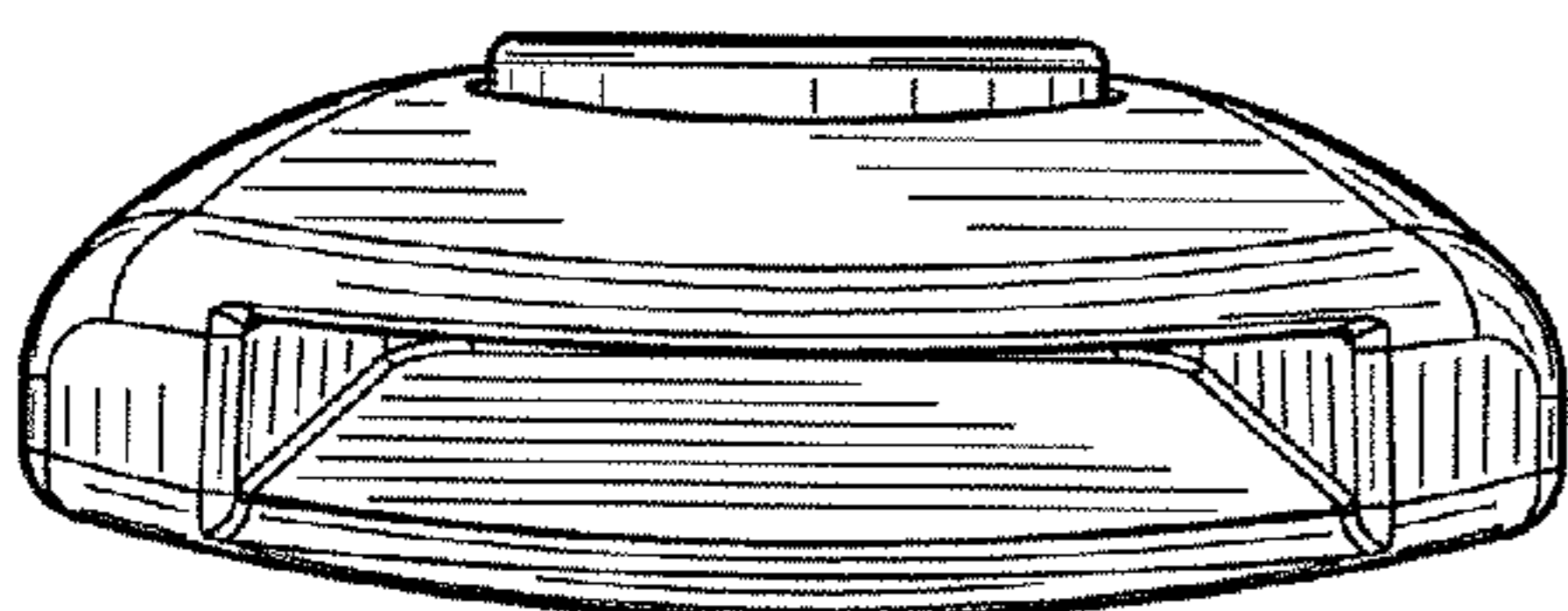


FIG. 4

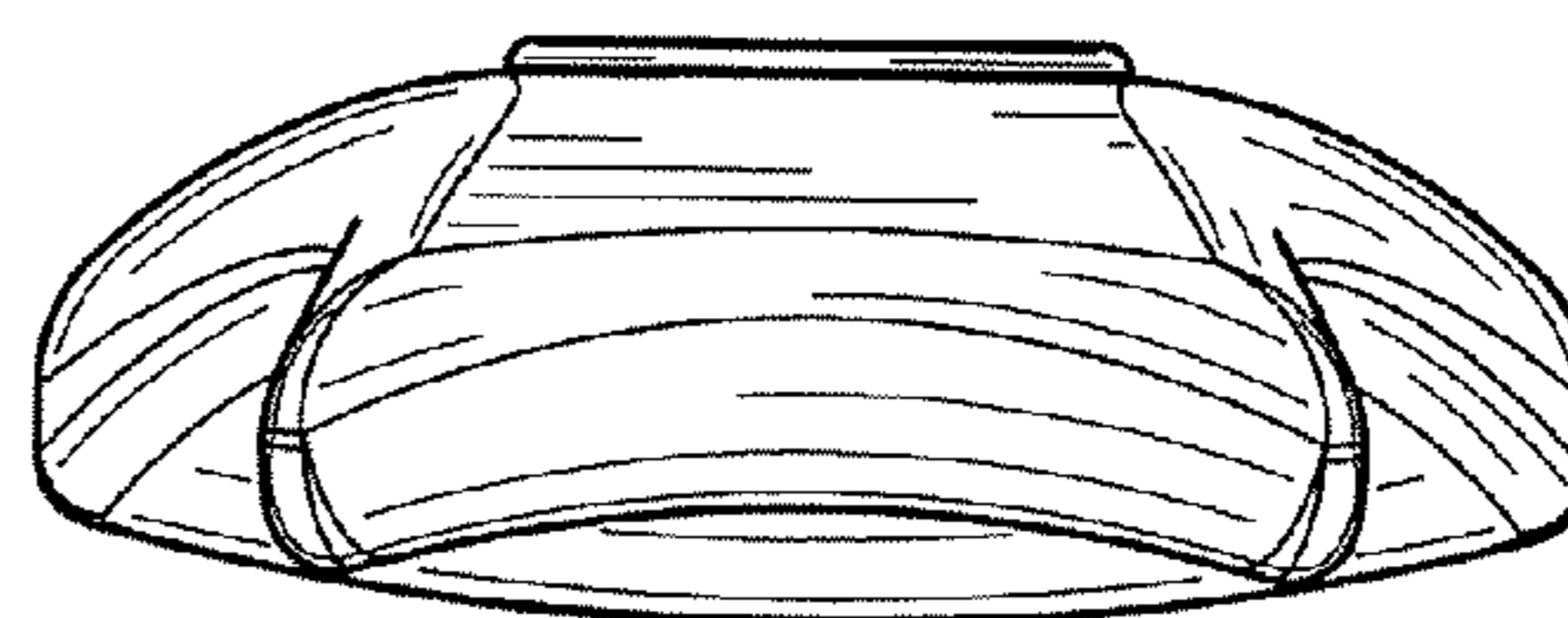


FIG. 5

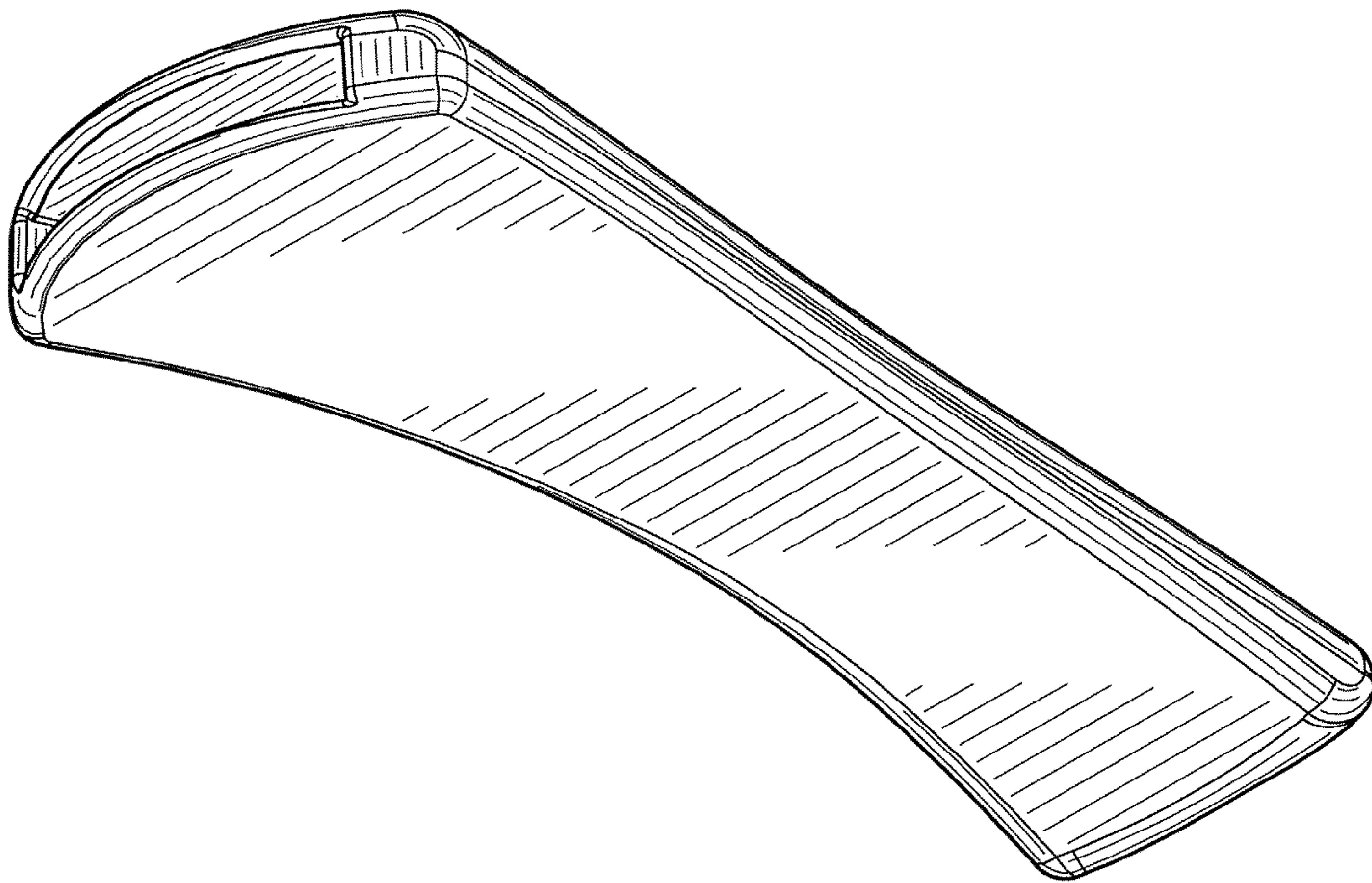


FIG.6