



US00D553454S

(12) **United States Design Patent**  
**Goodman et al.**

(10) **Patent No.:** **US D553,454 S**

(45) **Date of Patent:** **\*\* Oct. 23, 2007**

(54) **UNDER SHELF STEMWARE HOLDER**

6,843,381 B2 \* 1/2005 Wu ..... 211/85.29

D529,347 S \* 10/2006 Goodman et al. .... D7/704

D538,608 S \* 3/2007 Goodman et al. .... D7/704

(75) Inventors: **Sheldon H. Goodman**, Solon, OH  
(US); **Robert L. Blackadar**, Medina,  
OH (US)

(73) Assignee: **Spectrum Diversified Designs, Inc.**,  
Streetsboro, OH (US)

\* cited by examiner

*Primary Examiner*—Brian N. Vinson

(74) *Attorney, Agent, or Firm*—Pearne & Gordon LLP

(\*\*) Term: **14 Years**

(57) **CLAIM**

(21) Appl. No.: **29/255,703**

The ornamental design for an under shelf stemware holder,  
as shown and described.

(22) Filed: **Mar. 10, 2006**

(51) **LOC (8) Cl.** ..... **06-04**

**DESCRIPTION**

(52) **U.S. Cl.** ..... **D7/704; D6/513**

(58) **Field of Classification Search** ..... D6/512–514;  
D7/701–708; 211/13.1, 60.1, 41.2, 70.1,  
211/70.6, 71.01, 85.29, 181.1

See application file for complete search history.

FIG. 1 is a perspective view of an under shelf stemware holder showing our new design;

FIG. 2 is a front elevational view thereof;

FIG. 3 is a top plan view thereof; and,

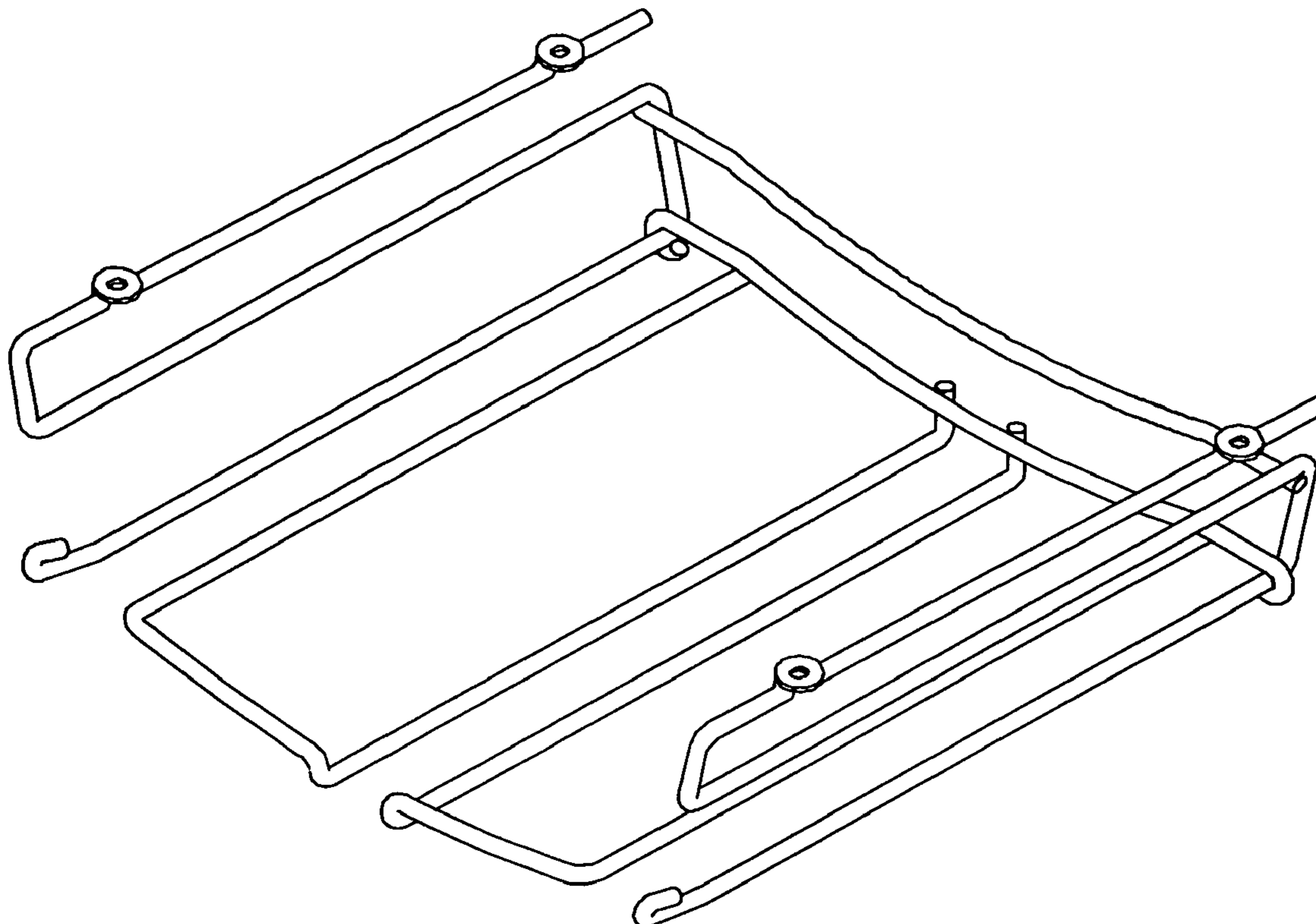
FIG. 4 is a side elevational view thereof.

(56) **References Cited**

**U.S. PATENT DOCUMENTS**

D308,924 S \* 7/1990 VanNoord ..... D6/513

**1 Claim, 2 Drawing Sheets**



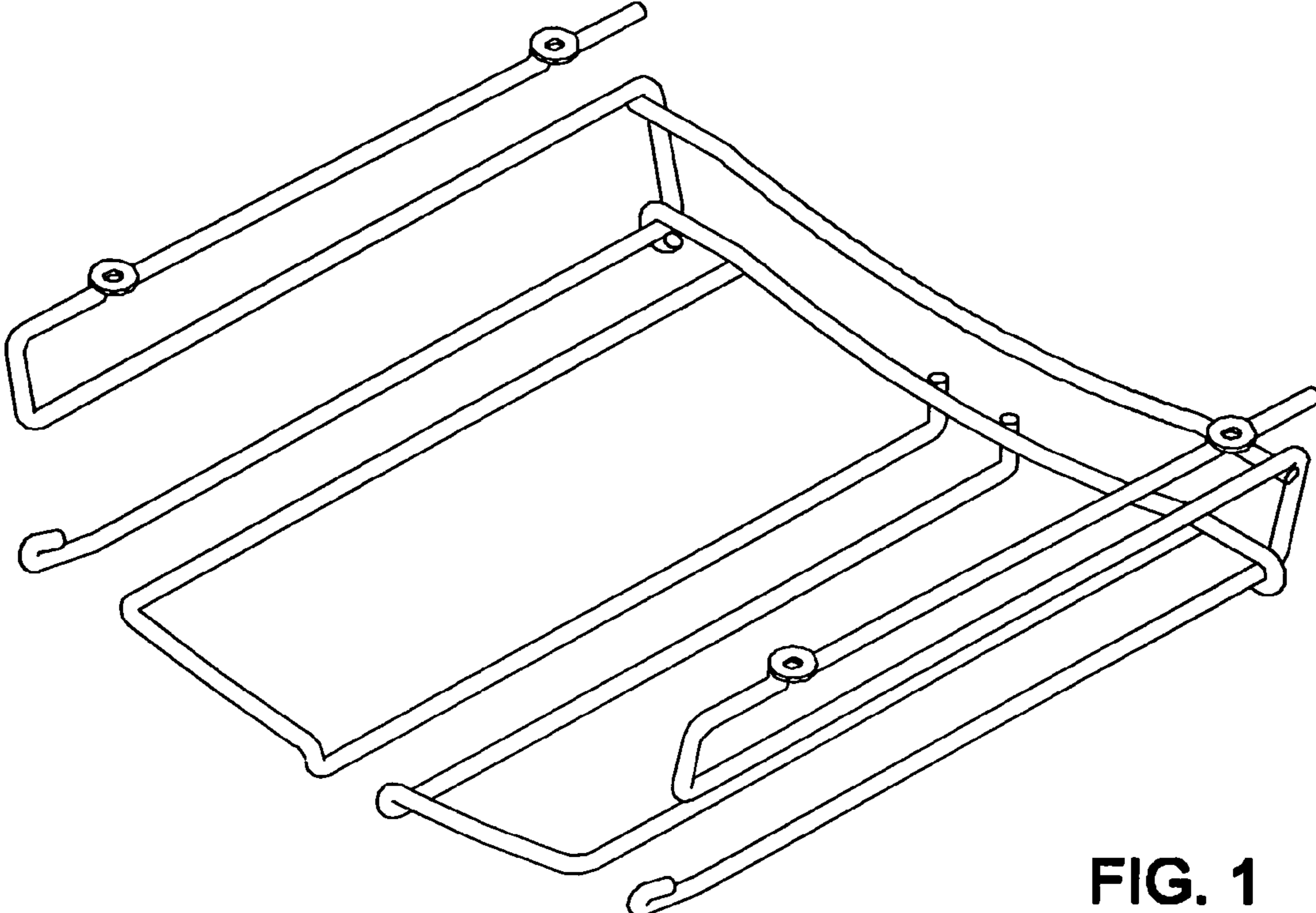


FIG. 1

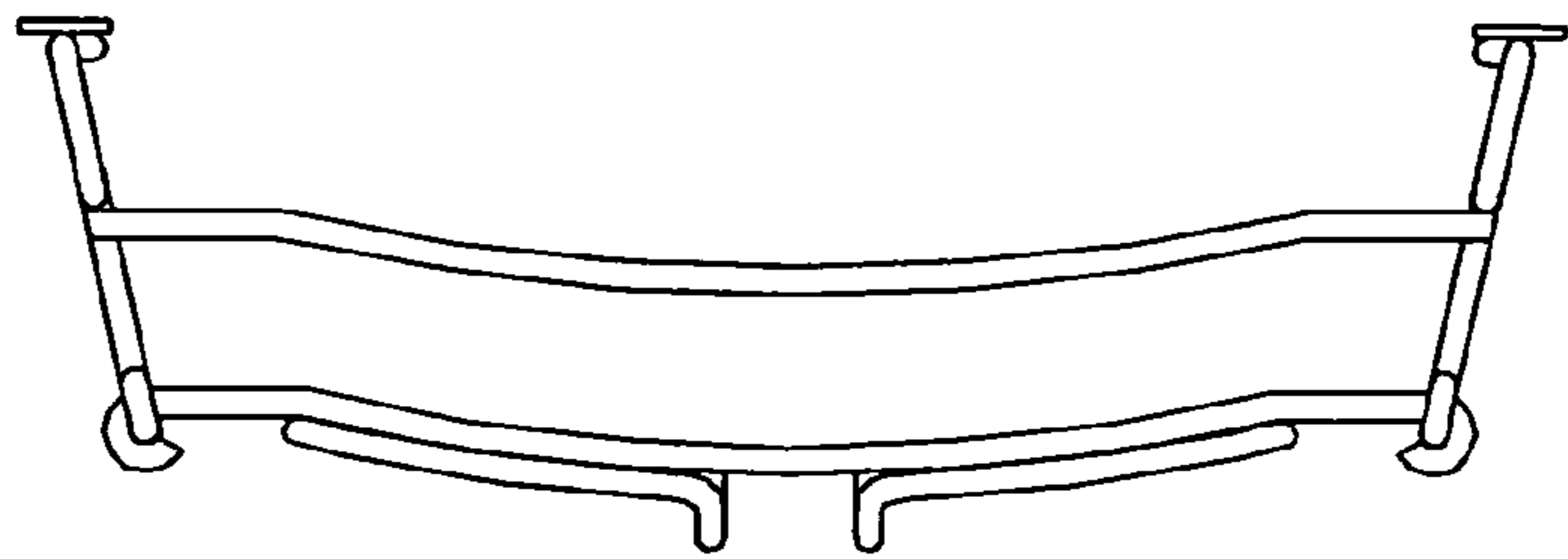


FIG. 2

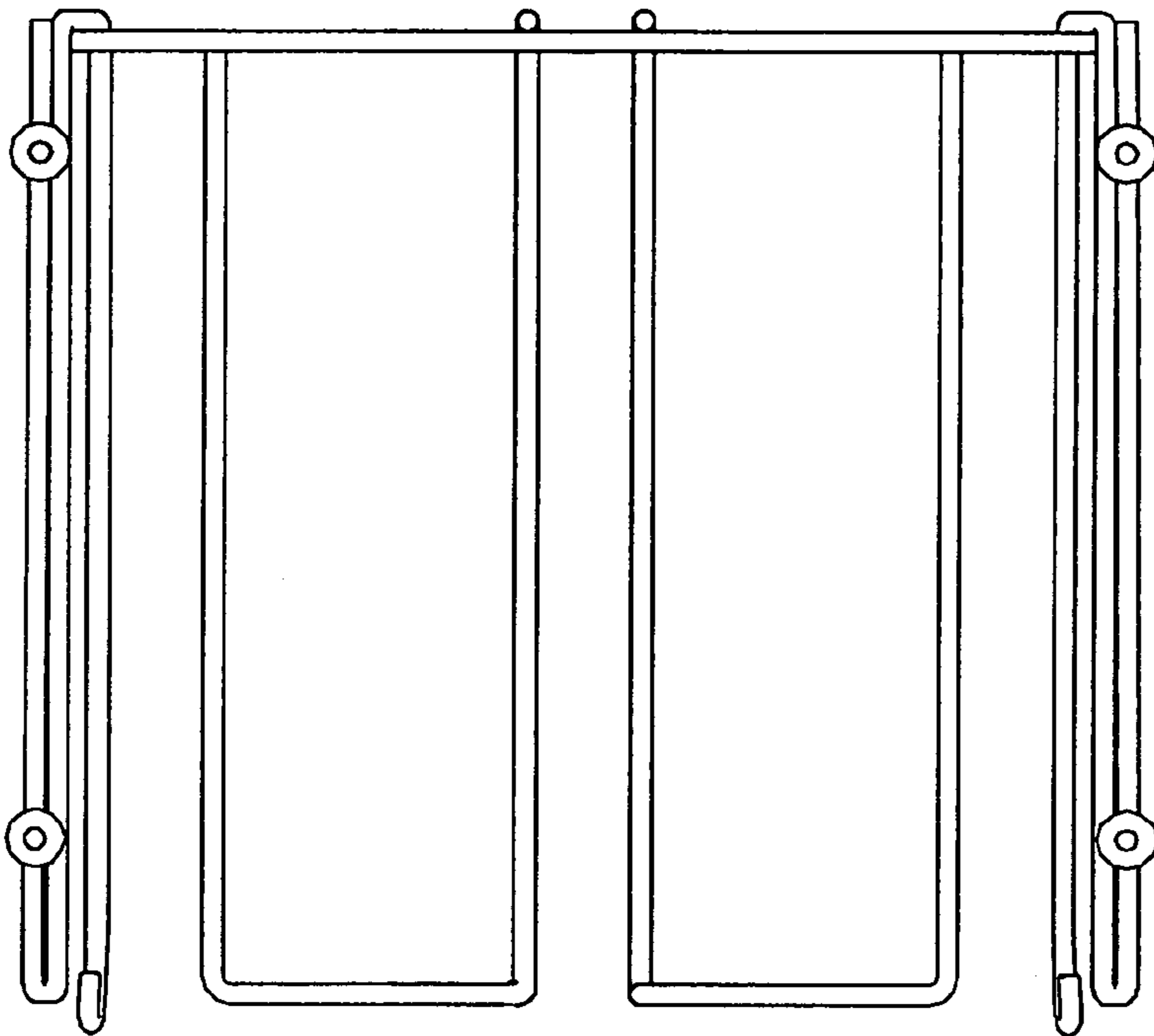


FIG. 3

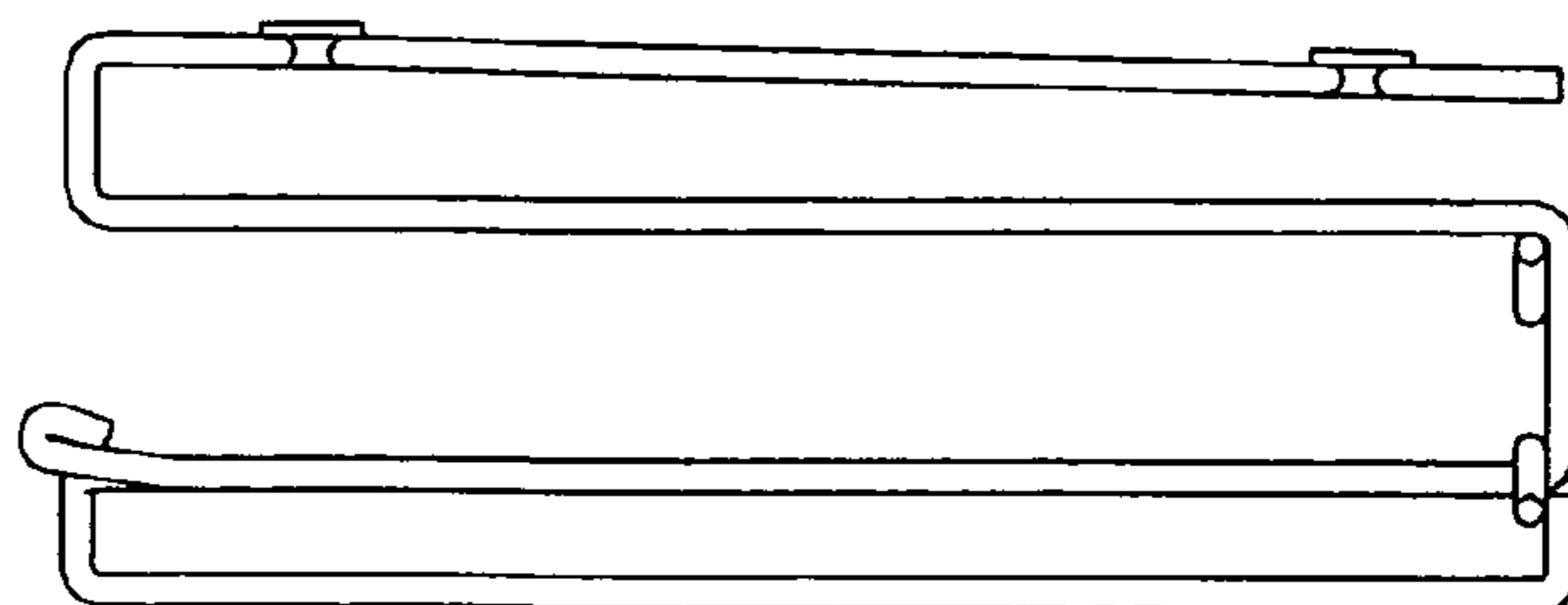


FIG. 4