



US00D553453S

(12) **United States Design Patent**  
**Toth**

(10) **Patent No.:** **US D553,453 S**

(45) **Date of Patent:** **\*\* Oct. 23, 2007**

(54) **WINE RACK**

D319,361 S \* 8/1991 Moser ..... D6/468  
D362,776 S \* 10/1995 Thorn ..... D6/552

(75) Inventor: **Edward B. Toth**, Barberton, OH (US)

\* cited by examiner

(73) Assignee: **Janice Larivee**, Hudson, OH (US)

*Primary Examiner*—Terry A Wallace

(\*\*) Term: **14 Years**

(74) *Attorney, Agent, or Firm*—Renner, Kenner, Greive,  
Bobak, Taylor & Weber

(21) Appl. No.: **29/249,594**

(57) **CLAIM**

(22) Filed: **Oct. 13, 2006**

The ornamental design for a wine rack, as shown and described.

(51) **LOC (8) Cl.** ..... **06-04**

(52) **U.S. Cl.** ..... **D7/701**

(58) **Field of Classification Search** ..... D7/701–708;  
D6/466–468, 552, 572, 474, 491, 492, 509,  
D6/511; 211/64, 49.1, 60.1, 40.1–70.6, 71.01,  
211/74; 248/49, 127, 176.1, 201, 123, 124  
See application file for complete search history.

**DESCRIPTION**

FIG. 1 is a perspective view of a new design for a wine rack;  
FIG. 2 is a front elevational view;  
FIG. 3 is a left side elevational view, the opposite side  
view being a mirror image thereof; and,  
FIG. 4 is a top view.

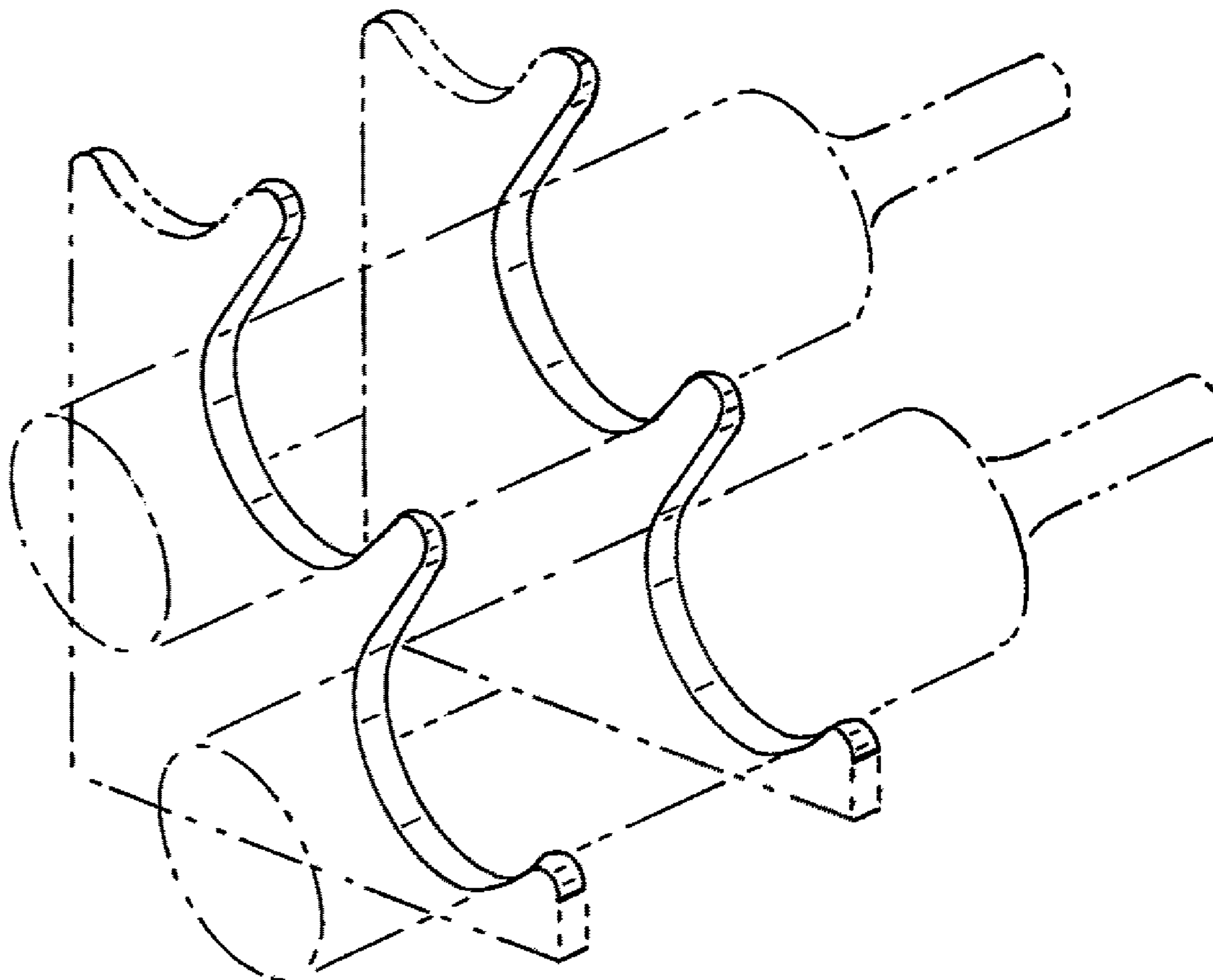
The broken lines are for illustrative purposes only and form  
no part of the claimed design.

(56) **References Cited**

**U.S. PATENT DOCUMENTS**

D150,797 S \* 8/1948 Lane ..... D6/468  
2,667,274 A \* 1/1954 Diebold ..... 211/64  
D218,616 S \* 9/1970 Owen, Jr. .... D6/468

**1 Claim, 1 Drawing Sheet**



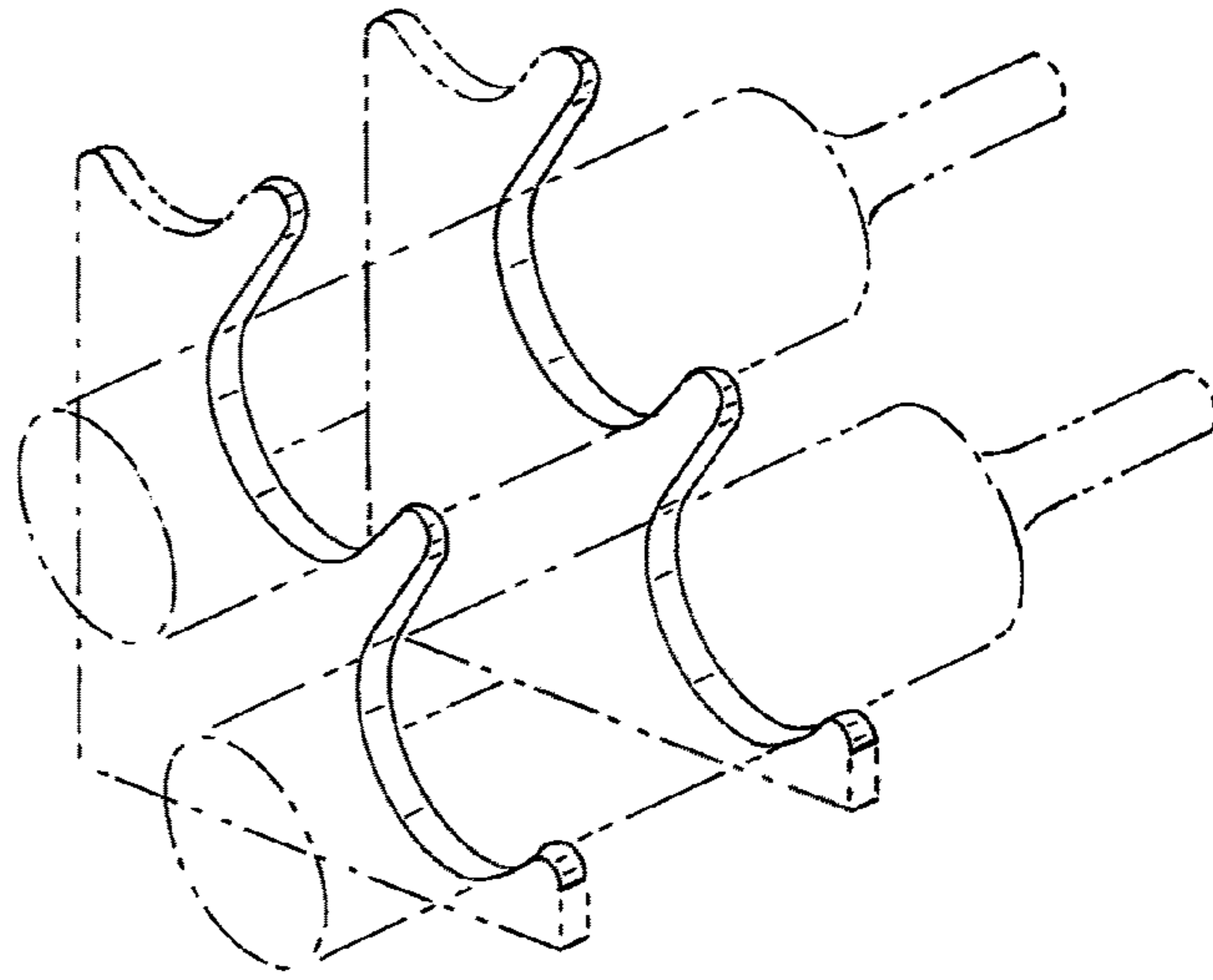


FIG. -1

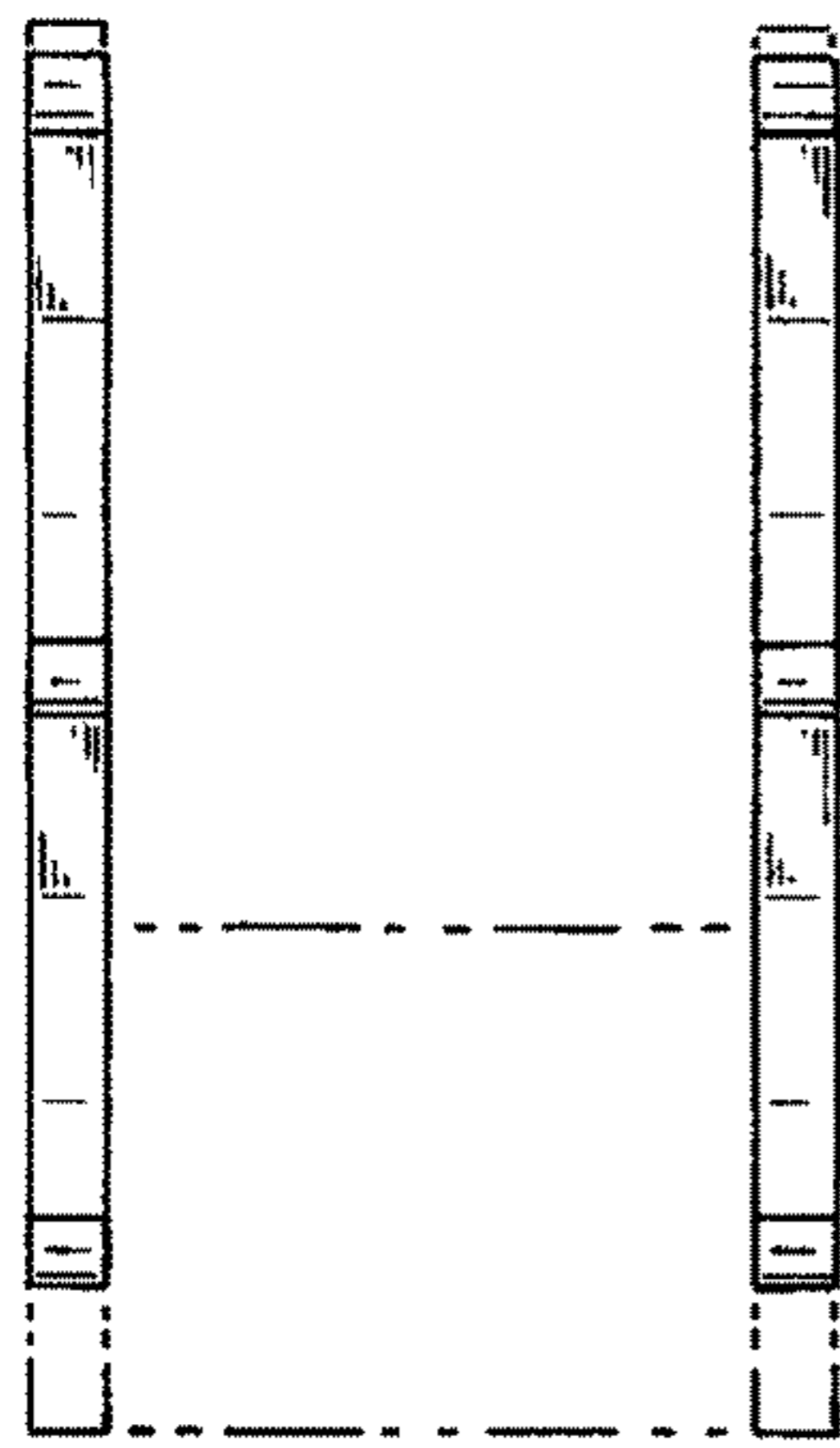


FIG. -2

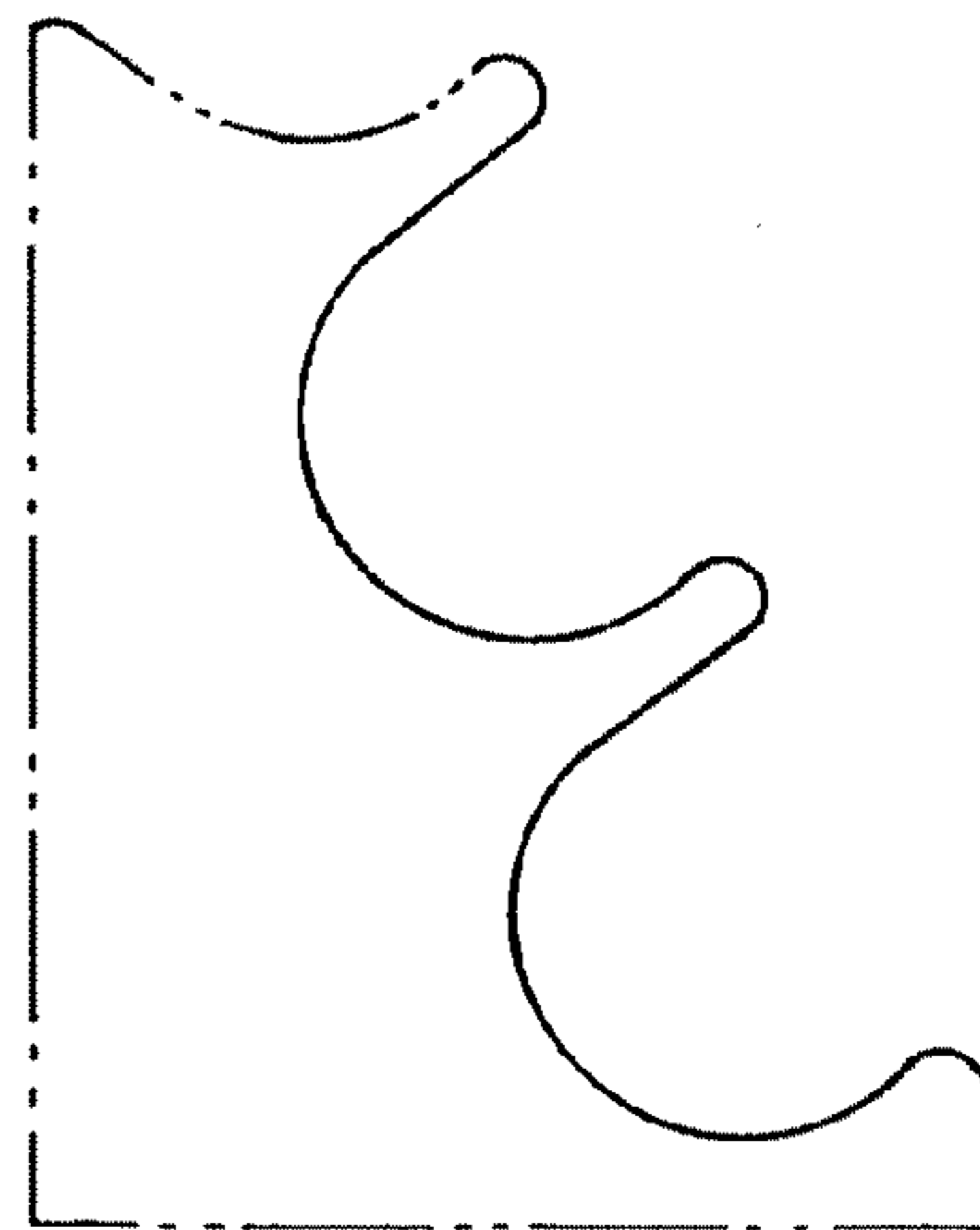


FIG. -3

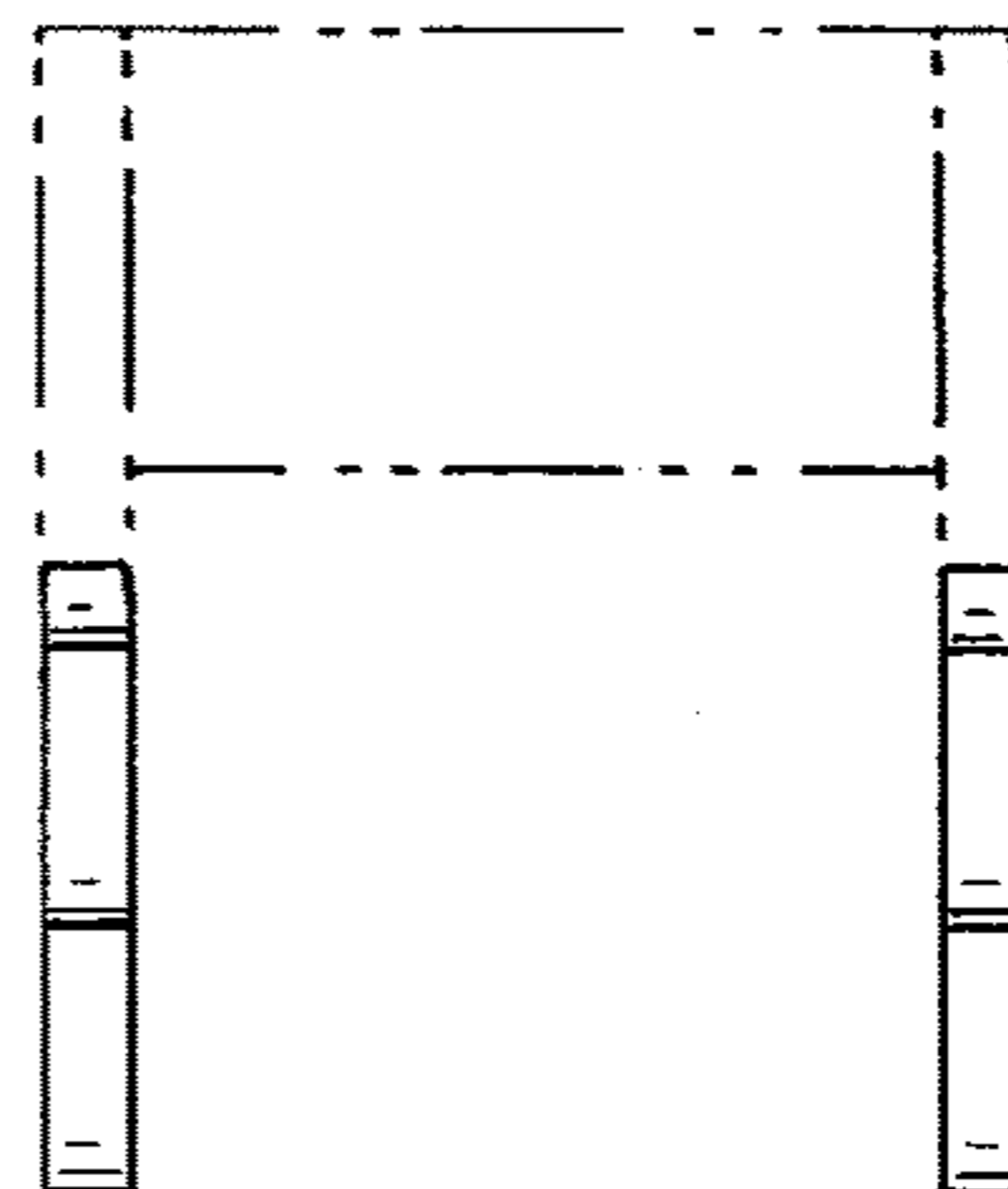


FIG. -4