



US00D553451S

(12) **United States Design Patent**
Baron

(10) **Patent No.:** **US D553,451 S**

(45) **Date of Patent:** **** Oct. 23, 2007**

(54) **FORK APPARATUS**

6,584,692 B1 * 7/2003 Stills et al. 30/129

(76) Inventor: **Pavan A. Baron**, 6463 W. Cedar
Branch Way, Tucson, AZ (US) 85757

* cited by examiner

Primary Examiner—Terry A. Wallace
(74) *Attorney, Agent, or Firm*—Chandler & Udall, LLP;
Dale F. Regelman

(**) Term: **14 Years**

(21) Appl. No.: **29/275,147**

(57) **CLAIM**

(22) Filed: **Dec. 14, 2006**

The ornamental design for the fork apparatus, as shown.

(51) **LOC (8) Cl.** **07-02**

(52) **U.S. Cl.** **D7/683**

(58) **Field of Classification Search** D7/680–696,
D7/393, 395, 642–664; 294/1.1, 5, 26, 50,
294/55.5, 61; 99/419, 421 A, 421 H, 441
See application file for complete search history.

DESCRIPTION

FIG. 1 is a prespective view of Applicant's fork apparatus;
FIG. 2 is a top view thereof;
FIG. 3 is a bottom view thereof;
FIG. 4 is a first side view thereof;
FIG. 5 is a second side view thereof;
FIG. 6 is a front view thereof; and,
FIG. 7 is a back view thereof.

(56) **References Cited**

U.S. PATENT DOCUMENTS

3,221,485 A * 12/1965 Jenkins 56/400.06
3,526,424 A * 9/1970 Torres 294/24
3,552,210 A * 1/1971 Wright 374/155

1 Claim, 3 Drawing Sheets

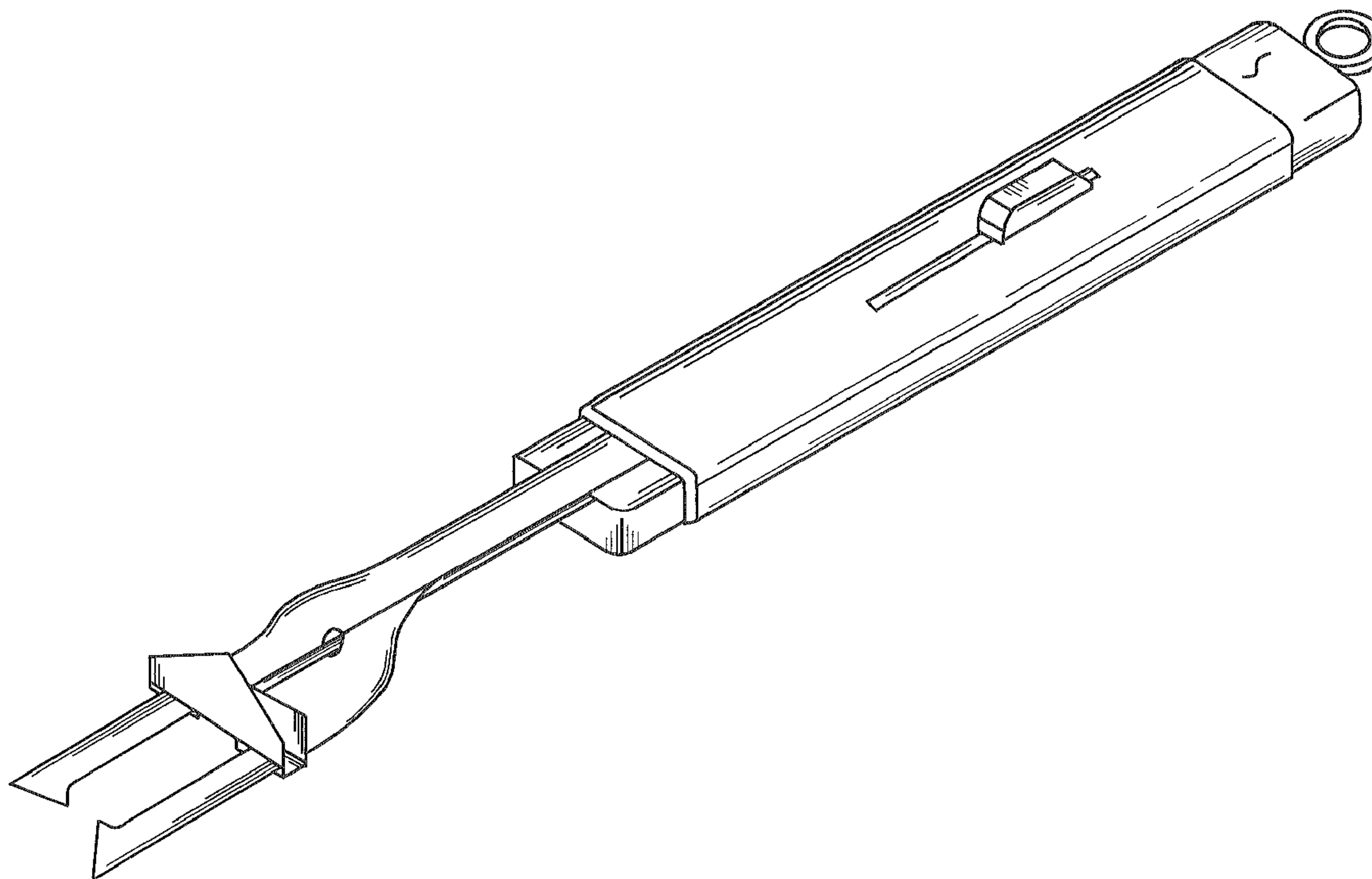


FIG. 1

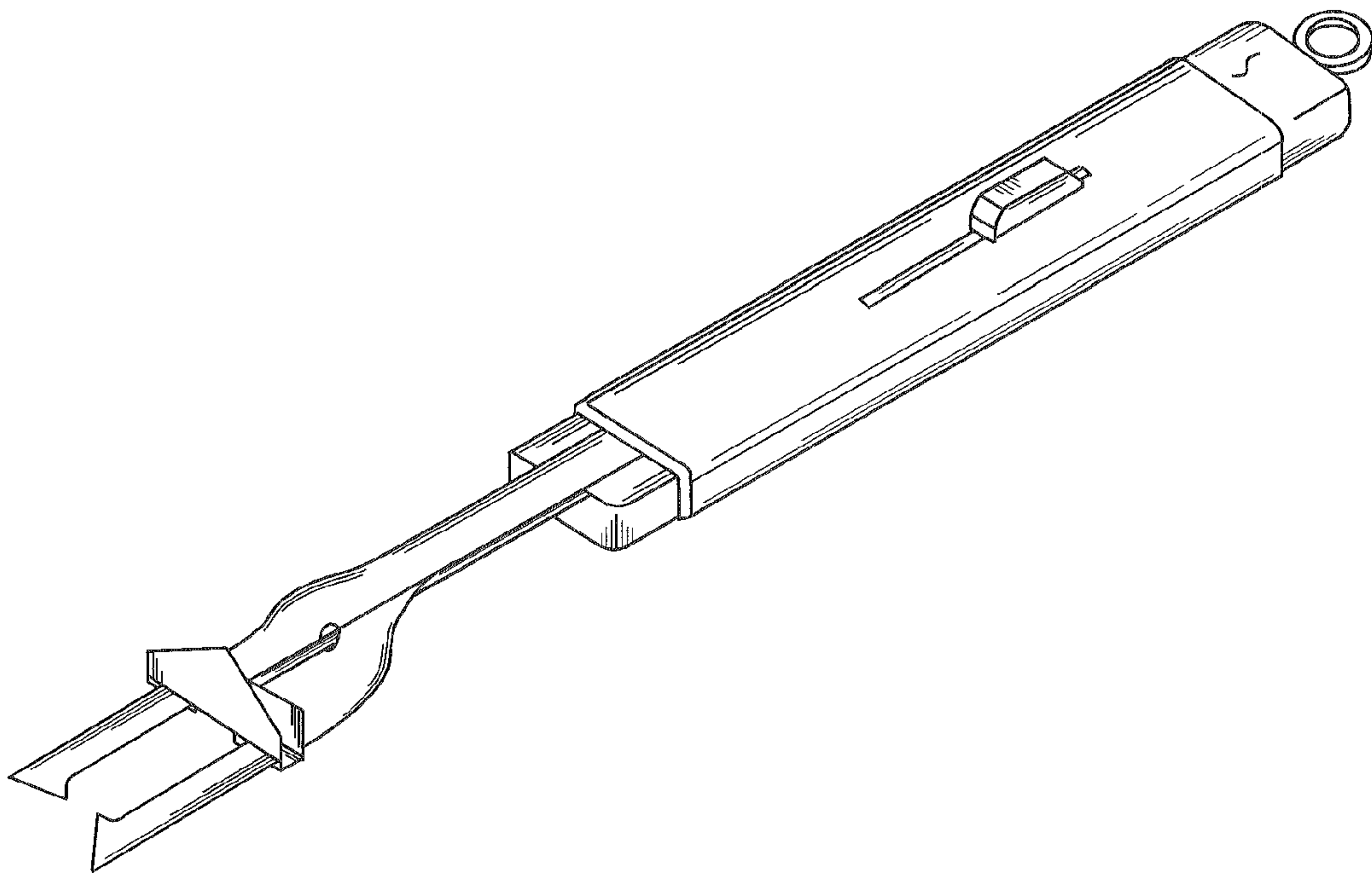


FIG. 2



FIG. 3

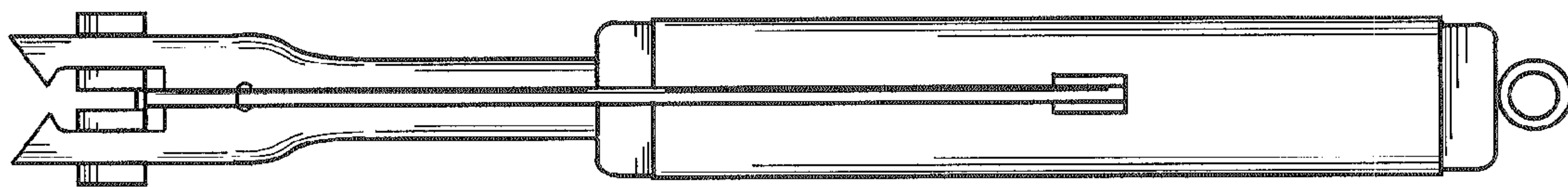


FIG. 4

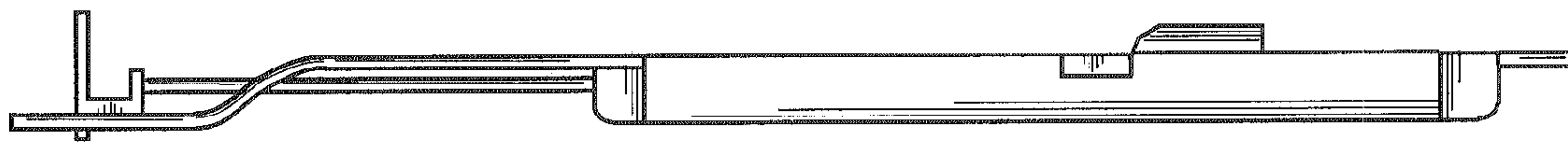


FIG. 5



FIG. 6

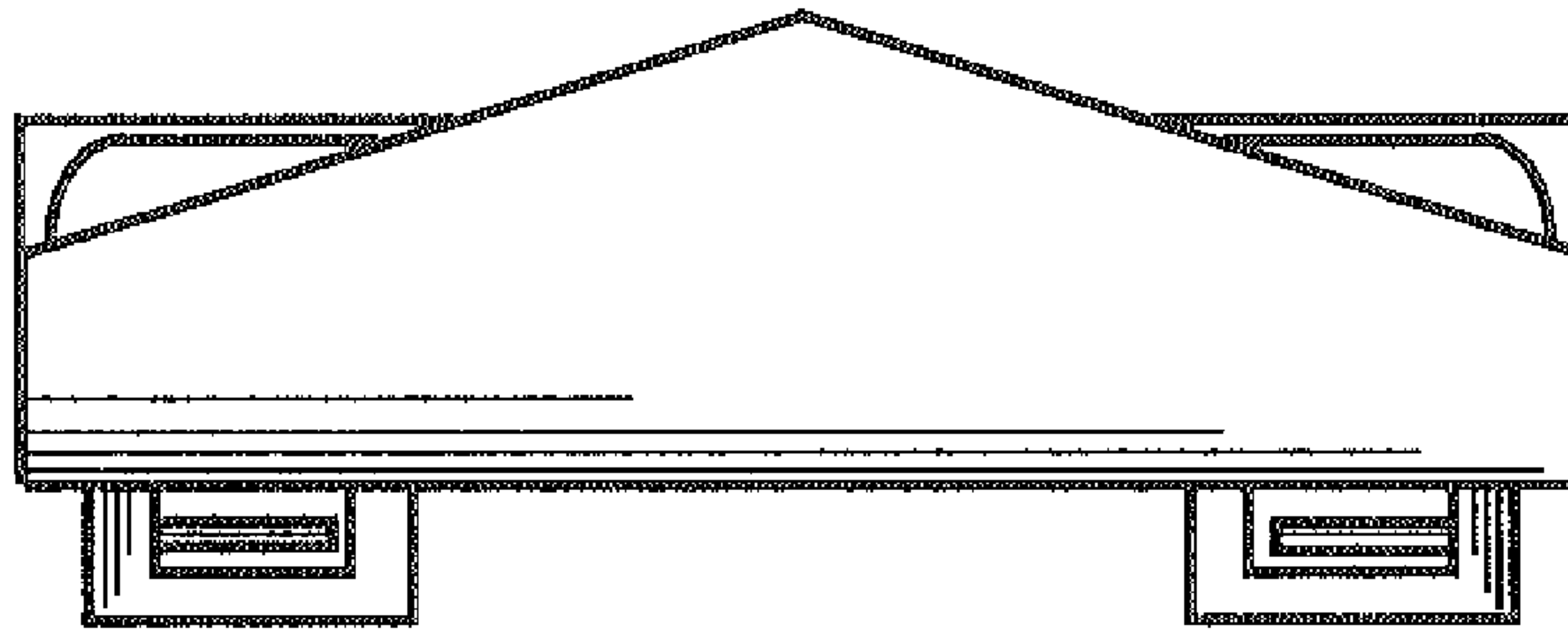


FIG. 7

