



US00D553450S

(12) **United States Design Patent**  
**Sorensen**

(10) **Patent No.:** **US D553,450 S**

(45) **Date of Patent:** **\*\* Oct. 23, 2007**

(54) **SPICE MILL**

(75) Inventor: **Jens Sorensen**, Gislaved (SE)

(73) Assignee: **Linden International AB** (SE)

(\*\*) Term: **14 Years**

(21) Appl. No.: **29/196,946**

(22) Filed: **Jan. 7, 2004**

(30) **Foreign Application Priority Data**

Jul. 7, 2003 (SE) ..... 03-0667

(51) **LOC (8) Cl.** ..... **07-04**

(52) **U.S. Cl.** ..... **D7/679**

(58) **Field of Classification Search** ..... D7/679,  
D7/591-599; D9/509-515, 549, 559; 222/142.1-142.9,  
222/480; 241/168, 169, 169.1  
See application file for complete search history.

(56) **References Cited**

**U.S. PATENT DOCUMENTS**

5,082,190 A \* 1/1992 Chen ..... 241/169.1

5,145,119 A \* 9/1992 Lowe ..... 241/169.1  
D362,598 S \* 9/1995 Kibbe ..... D7/679  
D486,702 S \* 2/2004 Sorensen ..... D7/679

\* cited by examiner

*Primary Examiner*—Terry A. Wallace

(74) *Attorney, Agent, or Firm*—Bachman & LaPointe, P.C.

(57) **CLAIM**

The ornamental design for a spice mill, as shown.

**DESCRIPTION**

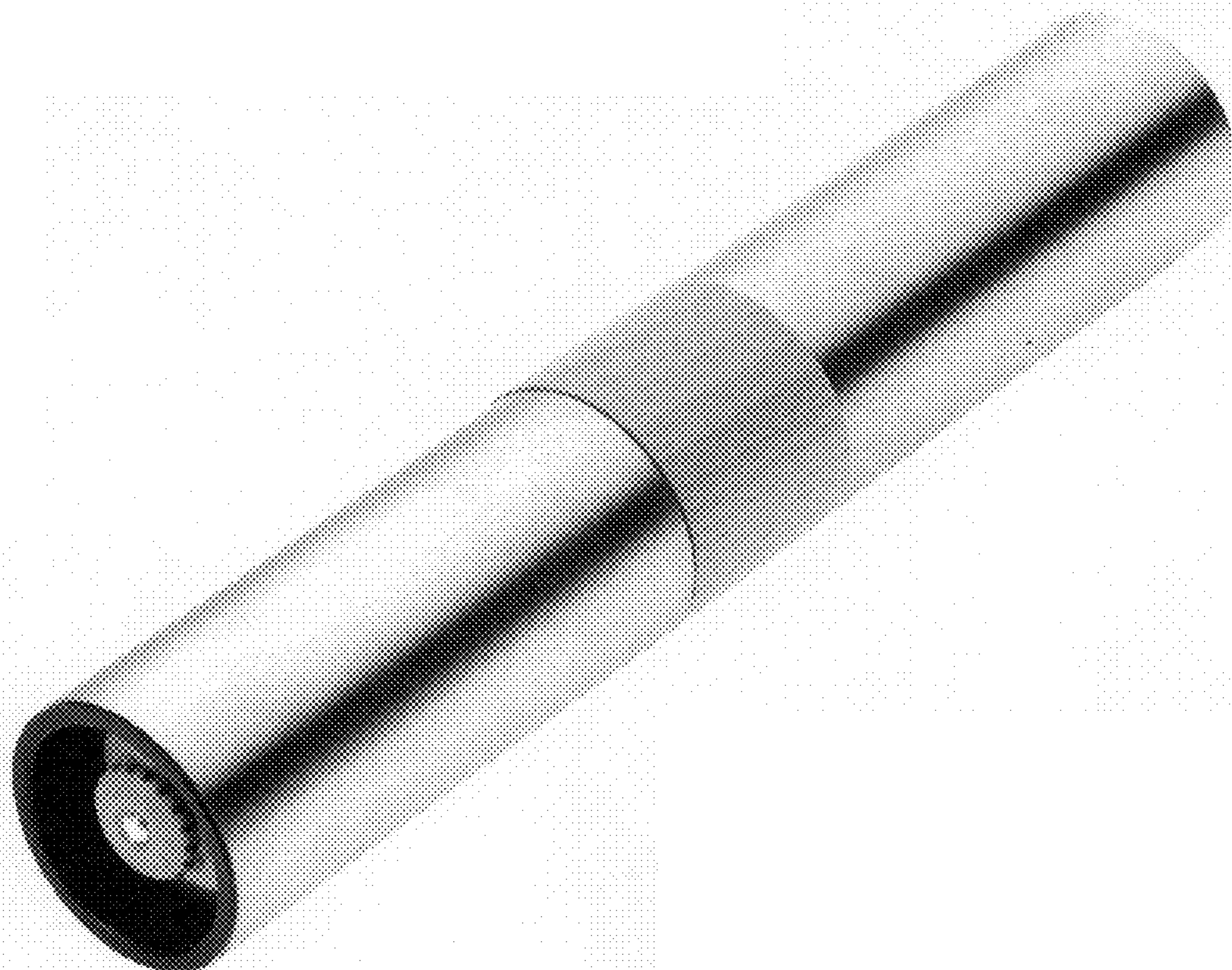
The patent or application file contains at least one drawing executed in color. Copies of this patent or patent application publication with colored drawing(s) will be provided by the office upon request and payment of the necessary fee.

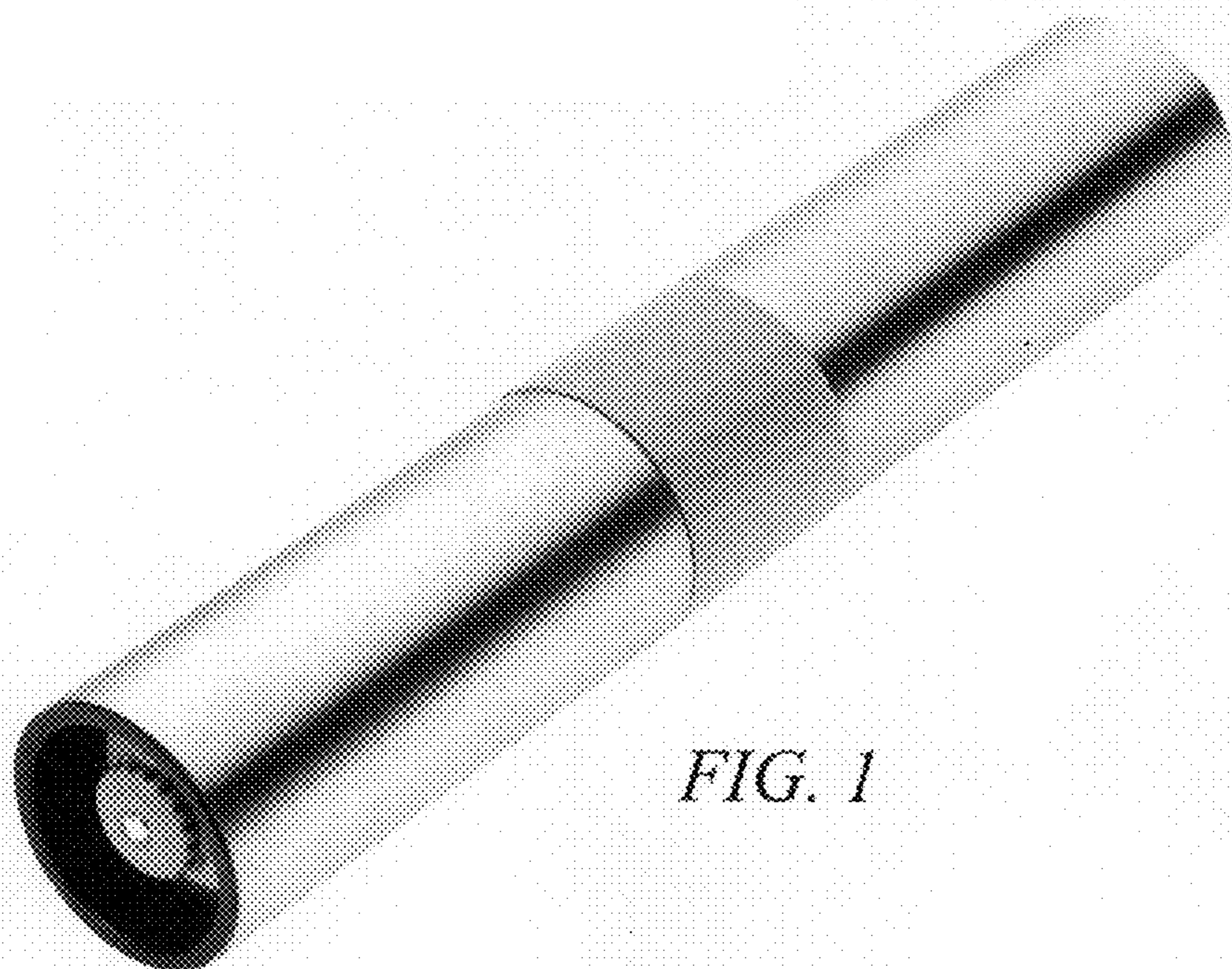
FIG. 1 is a perspective view of a spice mill in accordance with the present invention;

FIG. 2 is a reverse perspective view of the spice mill of FIG. 1; and,

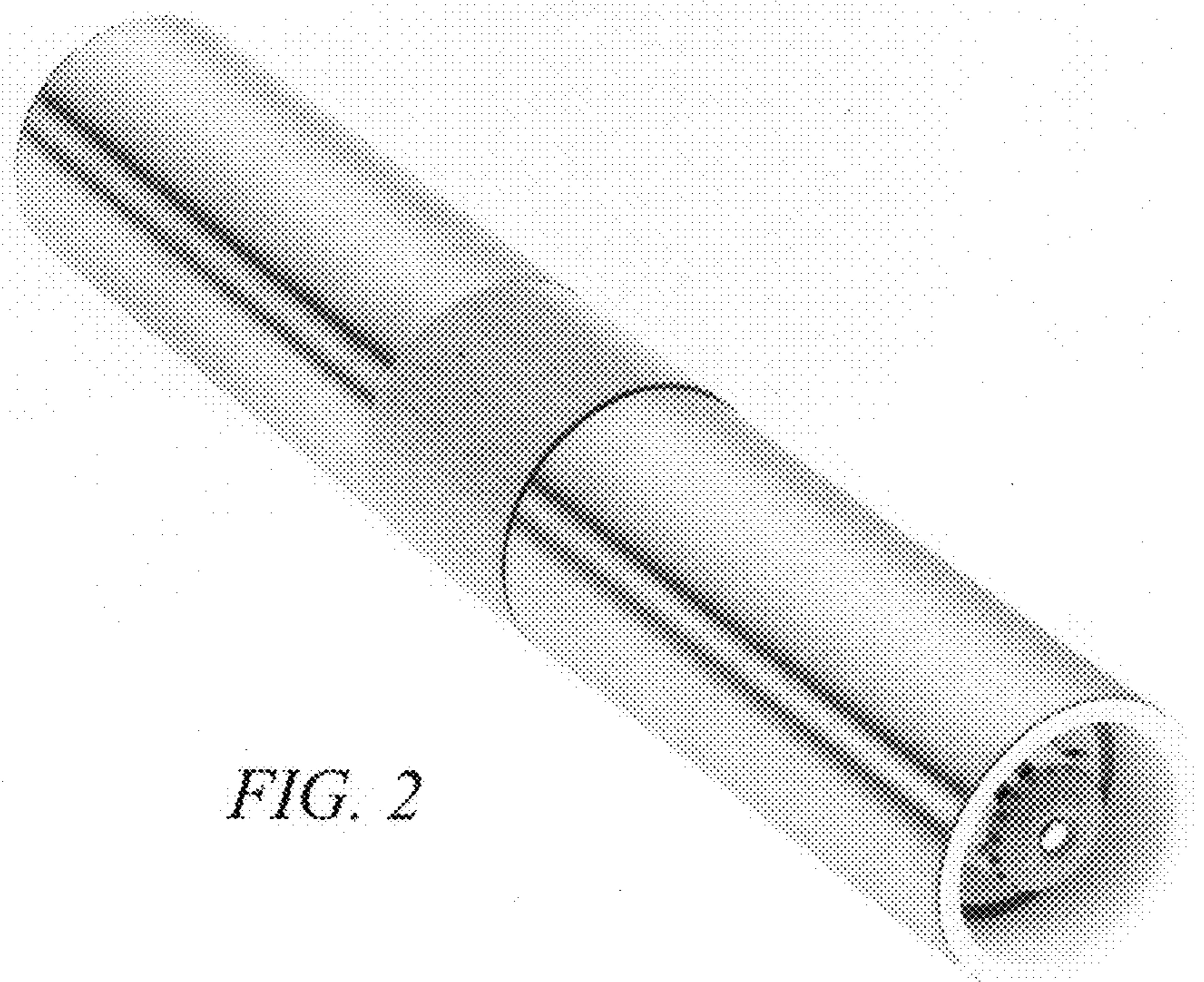
FIG. 3 is a side view of the spice mill of FIG. 1.

**1 Claim, 2 Drawing Sheets**  
**(2 of 2 Drawing Sheet(s) Filed in Color)**

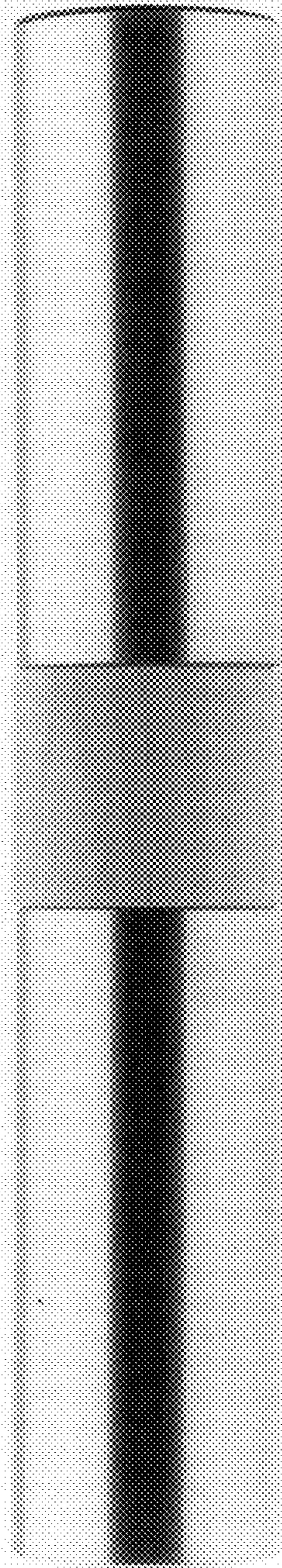




*FIG. 1*



*FIG. 2*



*FIG. 3*