



US00D553444S

(12) **United States Design Patent**
de Grootte et al.

(10) **Patent No.:** **US D553,444 S**

(45) **Date of Patent:** **** Oct. 23, 2007**

(54) **SEAL FOR A FOOD CONTAINER**
(75) Inventors: **Jan-Hendrik de Grootte**, Haaltert (BE);
Dimitri M. C. J. Backaert, Moorsel
(BE)

(73) Assignee: **Dart Industries Inc.**, Orlando, FL (US)

(**) Term: **14 Years**

(21) Appl. No.: **29/264,919**

(22) Filed: **Aug. 22, 2006**

(51) **LOC (8) Cl.** **07-01**

(52) **U.S. Cl.** **D7/602**

(58) **Field of Classification Search** D7/602,
D7/629, 538-542; D9/424-432; 220/4.21,
220/360, 366, 574-575, 780-806, 912, 913
See application file for complete search history.

(56) **References Cited**

U.S. PATENT DOCUMENTS

D188,396 S	7/1960	Bliss	
3,047,177 A	7/1962	Poitras	
3,381,872 A	5/1968	Holder	
3,510,023 A	5/1970	Ullman	
3,516,572 A	6/1970	Davis	
3,809,280 A	5/1974	Park	
3,942,679 A	3/1976	Starr	
4,377,191 A	3/1983	Yamaguchi	
4,388,998 A	6/1983	Underwood	
D279,253 S	6/1985	Daenen	
D279,952 S *	8/1985	Daenen et al.	D7/629
D282,808 S *	3/1986	Daenen et al.	D7/602
4,819,824 A *	4/1989	Longbottom et al.	220/266
4,847,459 A	7/1989	Desai	
D312,968 S	12/1990	Wolff	
4,976,370 A *	12/1990	Cassel	220/792
D316,513 S *	4/1991	Wolff	D9/431
5,172,652 A *	12/1992	Dobrin et al.	119/165
5,201,438 A	4/1993	Norwood	
5,258,212 A	11/1993	Tomaru	
D348,805 S *	7/1994	Cautereels	D7/602
5,398,908 A	3/1995	Kienle	
D363,663 S *	10/1995	Plater	D9/425

5,642,826 A	7/1997	Melrose	
D384,555 S *	10/1997	Bradley	D7/545
D415,935 S *	11/1999	Martinez	D7/602
D417,367 S *	12/1999	Laib	D7/602
6,006,913 A	12/1999	Ludemann	
D428,310 S *	7/2000	Zettle et al.	D7/629
D429,442 S	8/2000	Laib	
6,094,889 A	8/2000	Van Loon	
6,170,691 B1	1/2001	Morris, Sr.	
6,260,729 B1	7/2001	Mitchell	
6,423,420 B1	7/2002	Brant	
6,492,475 B1	12/2002	Egashira	

(Continued)

FOREIGN PATENT DOCUMENTS

EP 1157648 6/2003

(Continued)

OTHER PUBLICATIONS

U.S. Appl. No. 29/264,918, filed Aug. 22, 2006, de Grootte.

(Continued)

Primary Examiner—Terry A. Wallace

(74) *Attorney, Agent, or Firm*—John A. Doninger

(57) **CLAIM**

The ornamental design for a seal for a food container, as shown and described.

DESCRIPTION

FIG. 1 is a top perspective view of a seal for a food container showing our new design;

FIG. 2 is a bottom perspective view of FIG. 1;

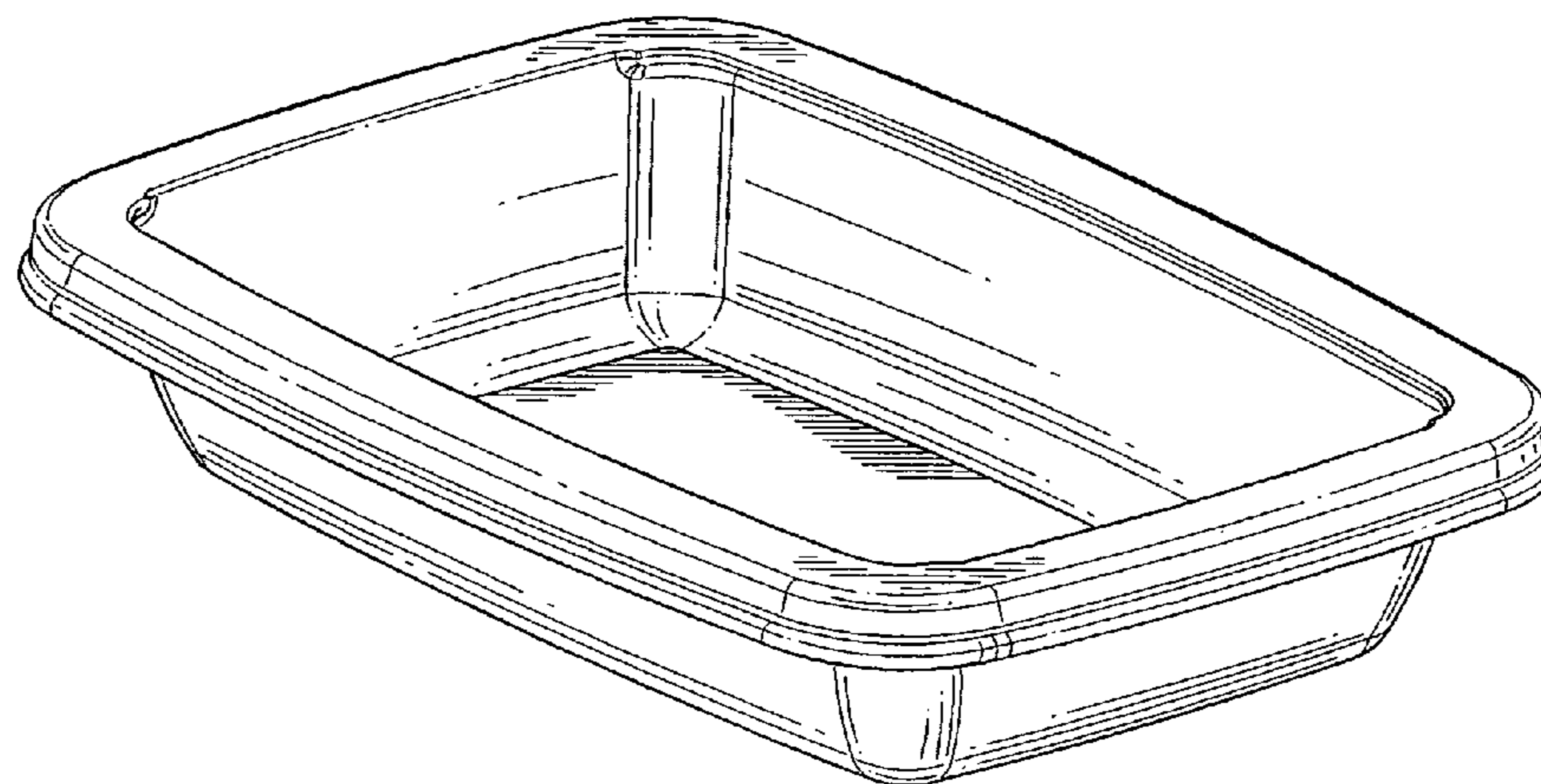
FIG. 3 is a front elevation view of FIG. 1; the rear elevation view being identical thereto;

FIG. 4 is a right side elevation view of FIG. 1; the left side elevation view being identical thereto;

FIG. 5 is a top plan view of FIG. 1; and,

FIG. 6 is a bottom plan view of FIG. 1.

1 Claim, 3 Drawing Sheets



US D553,444 S

Page 2

U.S. PATENT DOCUMENTS

6,503,637 B1 1/2003 Van Loon
6,736,285 B2 5/2004 Stewart-Stand
D505,840 S * 6/2005 Schultz et al. D7/629
RE38,770 E 8/2005 Gilbert
6,953,828 B2 10/2005 Dharmarajan
7,011,228 B2 3/2006 Ordiway
7,015,283 B2 3/2006 Schauder
7,051,895 B2 5/2006 Toussant
2003/0015450 A1 1/2003 Ferretti
2003/0155365 A1 8/2003 Llorente Lecue
2003/0176603 A1 9/2003 Ommundsen
2003/0190393 A1 10/2003 Johnson
2004/0138392 A1 7/2004 Jiang
2004/0204547 A1 10/2004 Dharmarajan
2004/0206765 A1 10/2004 McMahan, III
2004/0220359 A1 11/2004 Abhari
2004/0249046 A1 12/2004 Abhari

2005/0072039 A1 4/2005 Wong
2005/0107533 A1 5/2005 Schauder
2005/0130544 A1 6/2005 Cheng
2005/0197464 A1 9/2005 Handlin, Jr.
2006/0025545 A1 2/2006 Brant
2006/0032852 A1 2/2006 Cai
2006/0032858 A1 2/2006 Lee
2006/0045949 A1 3/2006 McLaughlin

FOREIGN PATENT DOCUMENTS

EP 1336572 8/2003

OTHER PUBLICATIONS

U.S. Appl. No. 11/507,654, filed Aug. 22, 2006, de Groot.
Emsa Vivario Container and Seal: Copies of the front, sides, and
back of the package, and two photographs of the container and seal.

* cited by examiner

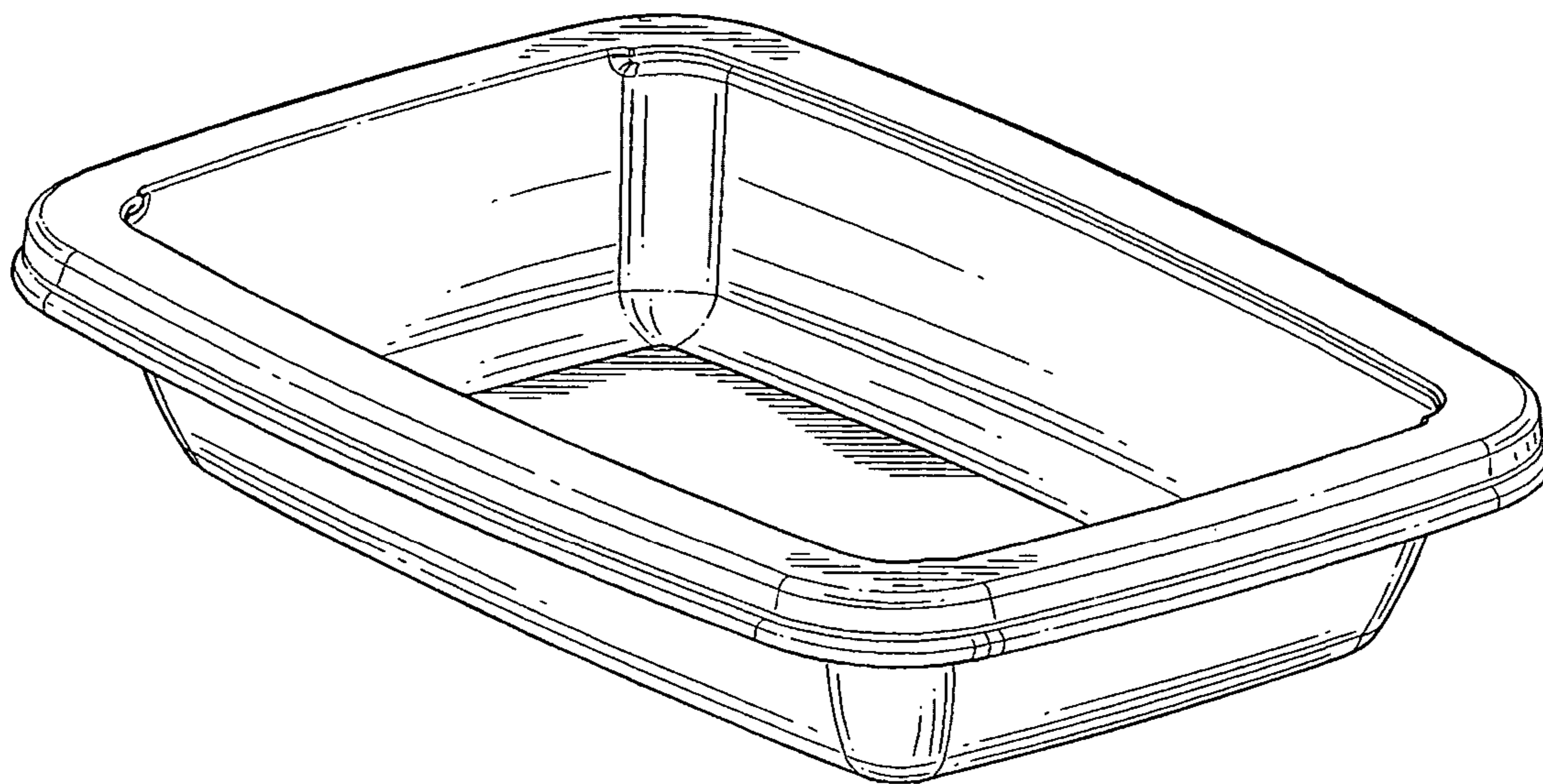


FIG. 1

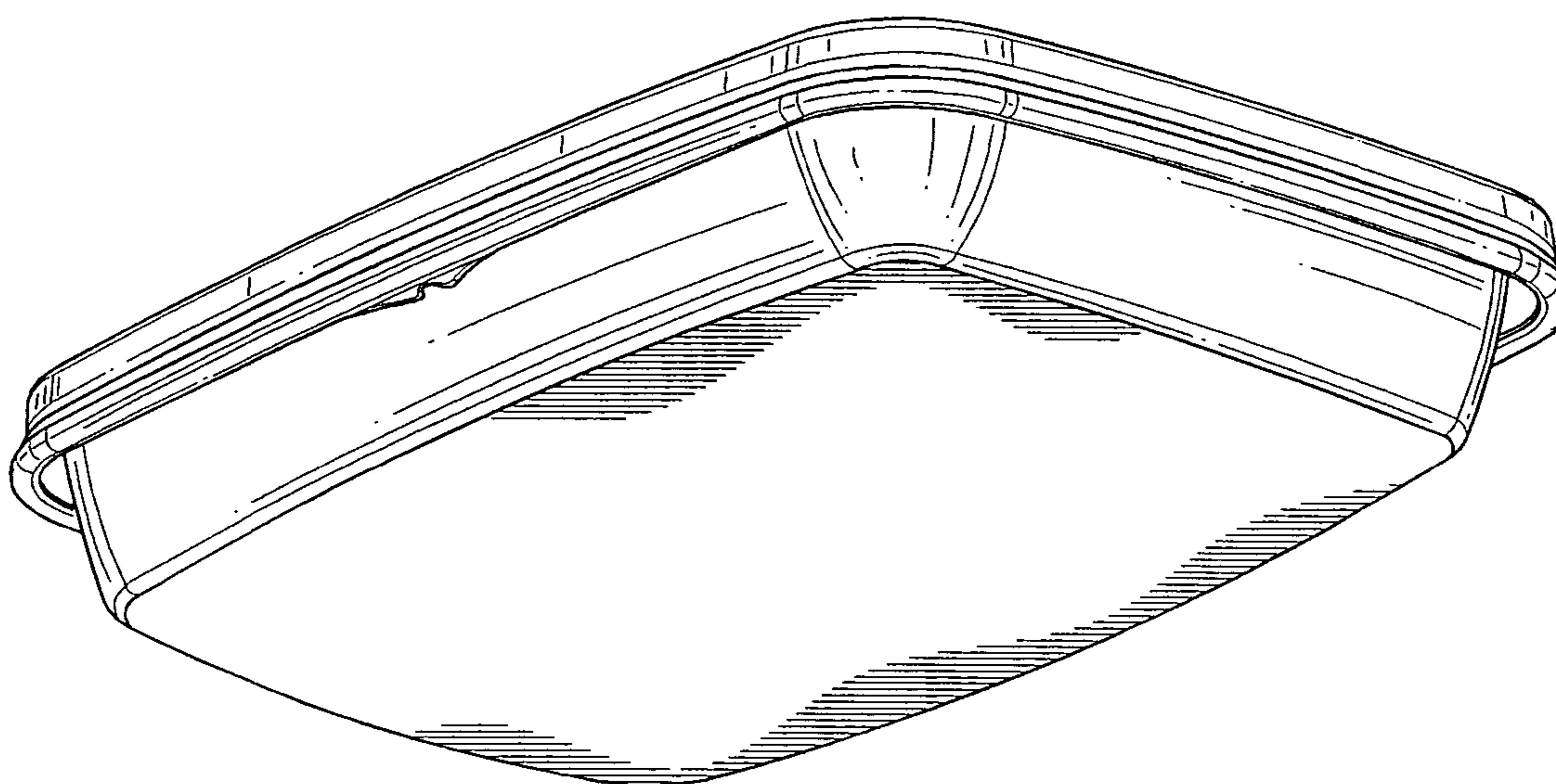


FIG. 2

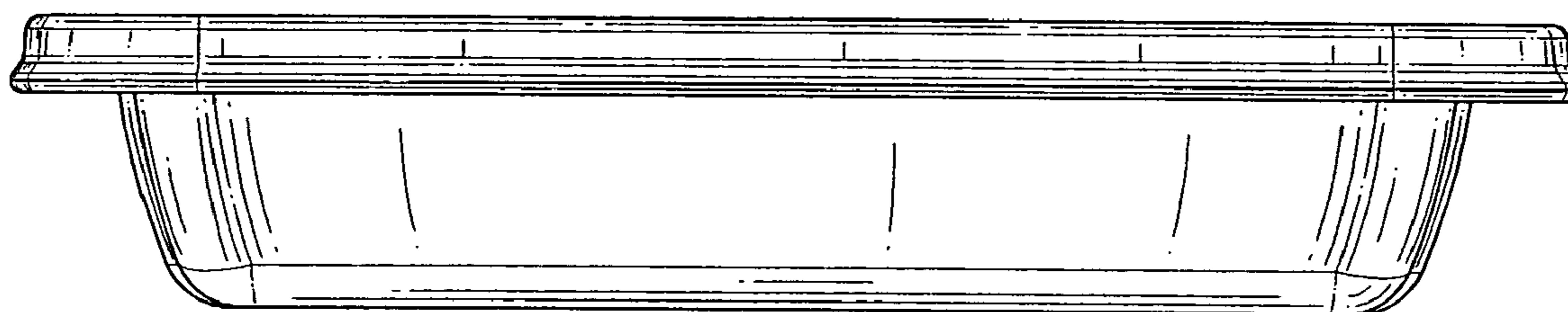


FIG. 3

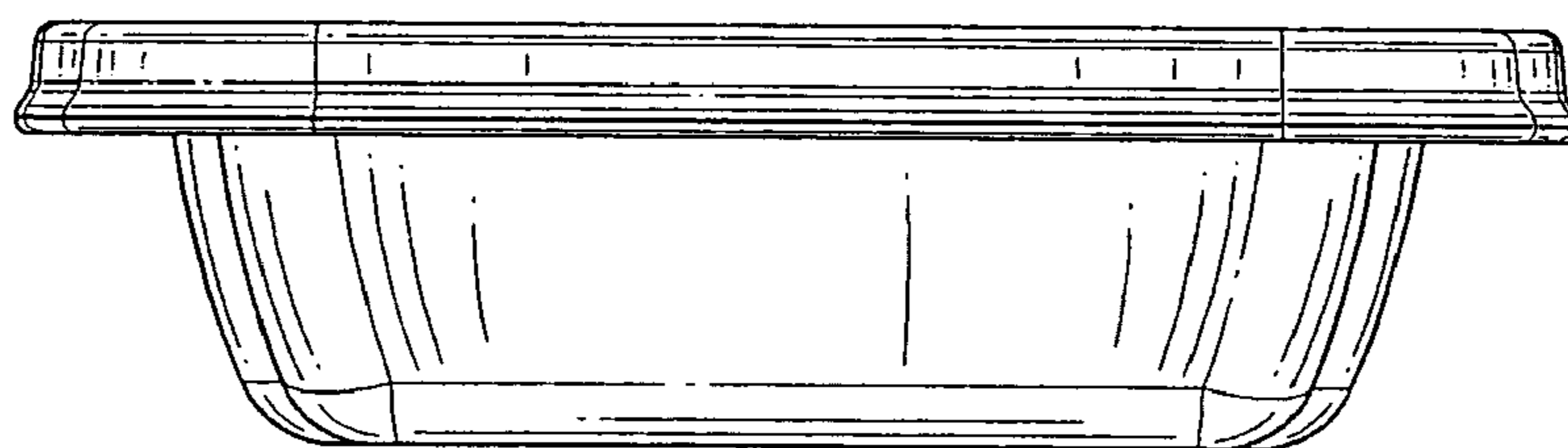


FIG. 4

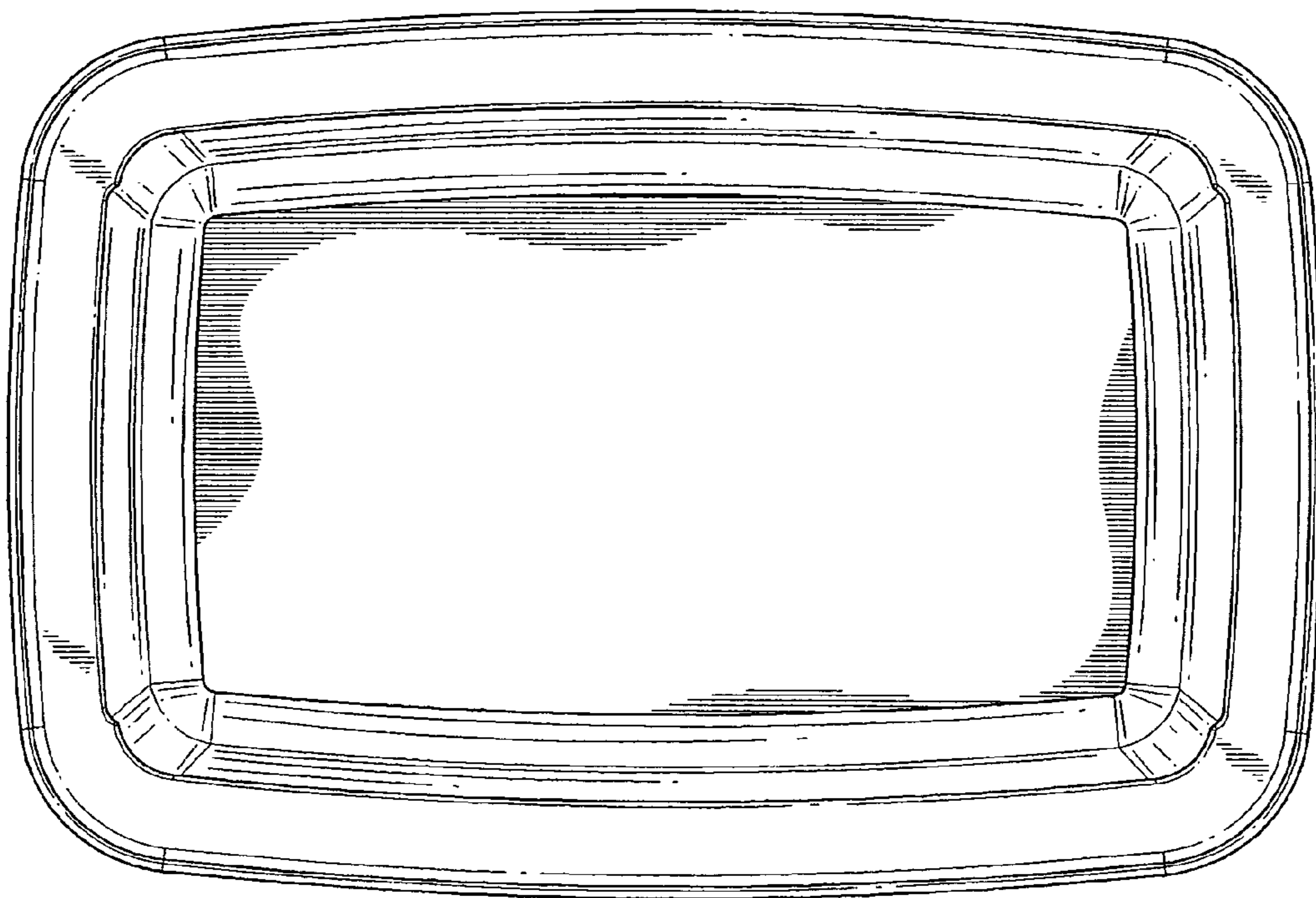


FIG. 5

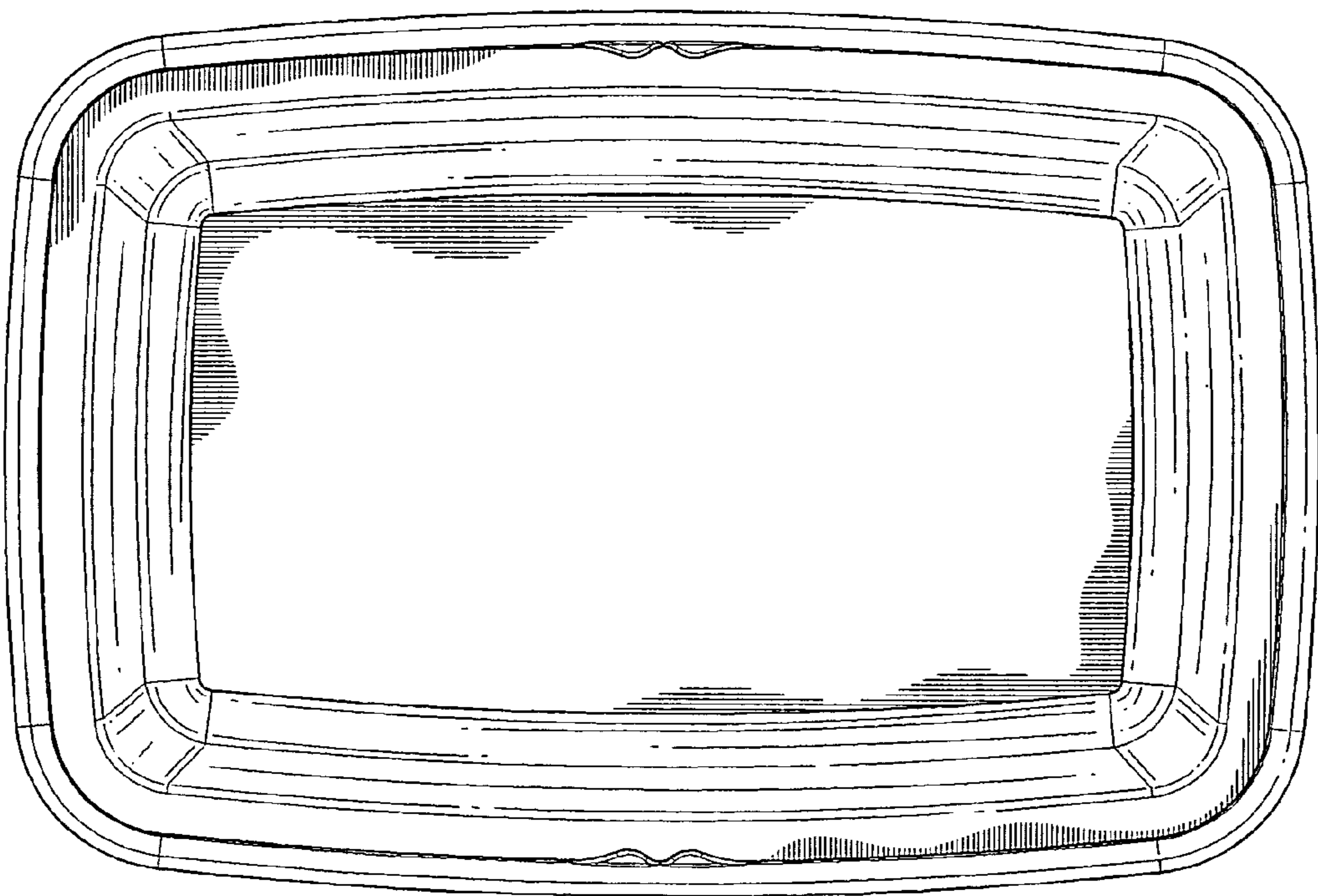


FIG. 6