



US00D553442S

(12) **United States Design Patent** (10) **Patent No.:** **US D553,442 S**
Bodum (45) **Date of Patent:** **** Oct. 23, 2007**

(54) **DRINKING CUP**

D447,005 S * 8/2001 Trombly D7/536

(75) Inventor: **Jørgen Bodum**, St. Niklausen (CH)

OTHER PUBLICATIONS

(73) Assignee: **Pi-Design AG**, Triegen (CH)

Vienna No. 333, dated Jun. 7, 2004, DiscountMugs at website:
<http://archive.org/web/200406070350302/discountmugs.com/vienna.htm>.*

(**) Term: **14 Years**

* cited by examiner

(21) Appl. No.: **29/253,179**

Primary Examiner—T. Chase Nelson

(22) Filed: **Feb. 2, 2006**

Assistant Examiner—Karen Acker

(30) **Foreign Application Priority Data**

(74) *Attorney, Agent, or Firm*—Cowan, Liebowitz & Latman, PC

Aug. 18, 2005 (DK) DA 2005 00238

(57) **CLAIM**

(51) **LOC (8) Cl.** **07-01**

The ornamental design for a drinking cup, as shown and described.

(52) **U.S. Cl.** **D7/536; D7/533; D7/509**

(58) **Field of Classification Search** D7/392–394,
D7/509–511, 523, 531–533, 536, 605, 608,
D7/619.1, 622, 624.2; 215/382, 384, 386–388,
215/392, 394, 396, 398, DIG. 7; 220/62.12,
220/592.17, 669, 696, 710, 710.5, 711, 713,
220/715, 719, 739

DESCRIPTION

See application file for complete search history.

FIG. 1 is a perspective view of the drinking cup showing my design thereof;

FIG. 2 is a front view thereof;

FIG. 3 is a rear view thereof;

FIG. 4 is a left side view thereof;

FIG. 5 is a right side view thereof;

FIG. 6 is a top view thereof;

FIG. 7 is a bottom view thereof; and,

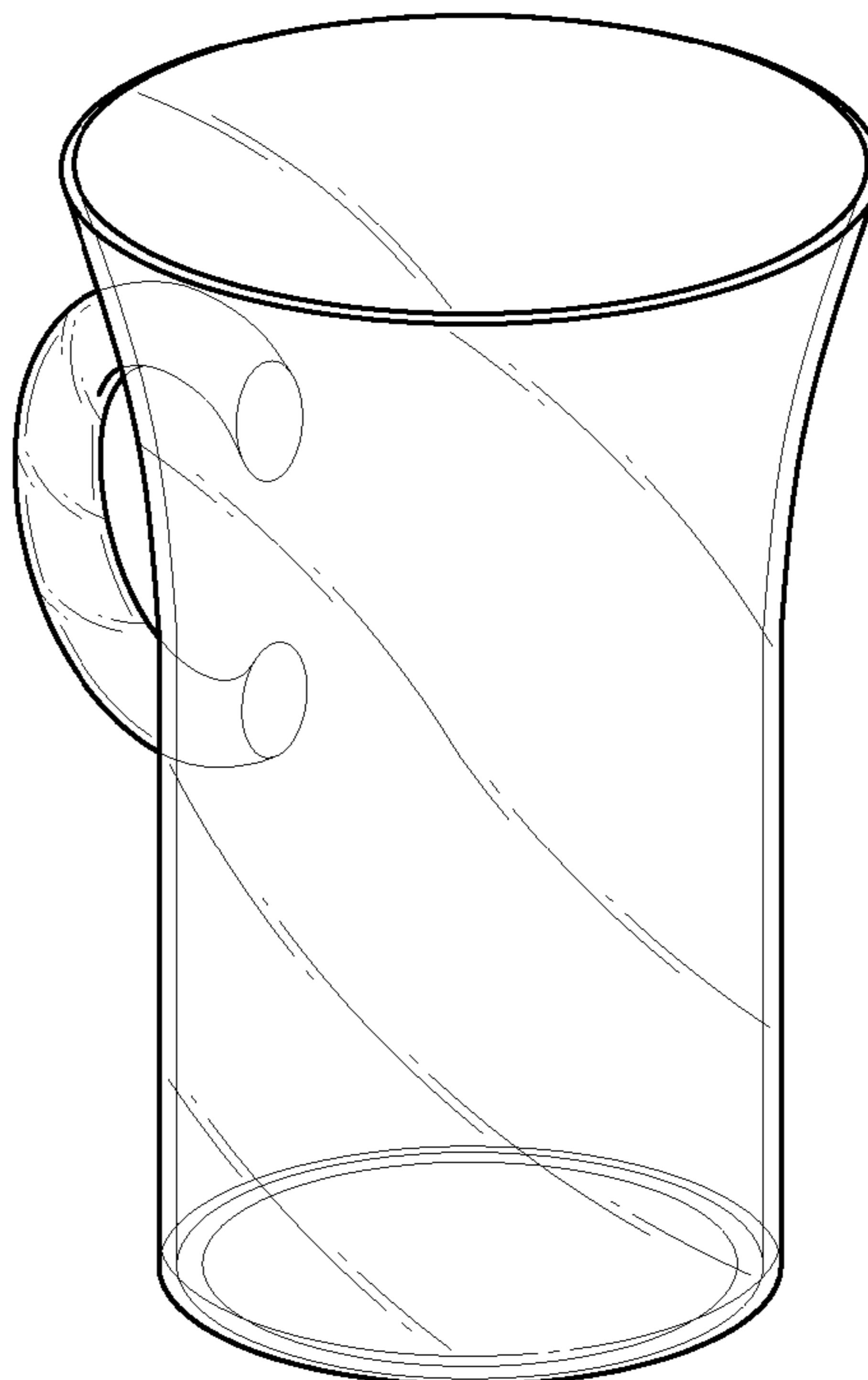
FIG. 8 is a front cross-sectional view thereof taken along line 8—8 of FIG. 5.

(56) **References Cited**

U.S. PATENT DOCUMENTS

250,708 A * 12/1881 Burke 215/396
D52,349 S * 8/1918 Saunders D7/536
2,012,113 A * 8/1935 Thompson 215/363
3,463,140 A * 8/1969 Rollor, Jr. 126/246
3,603,366 A * 9/1971 Albizati et al. 604/317
D278,116 S * 3/1985 Gavin et al. D7/400

1 Claim, 8 Drawing Sheets



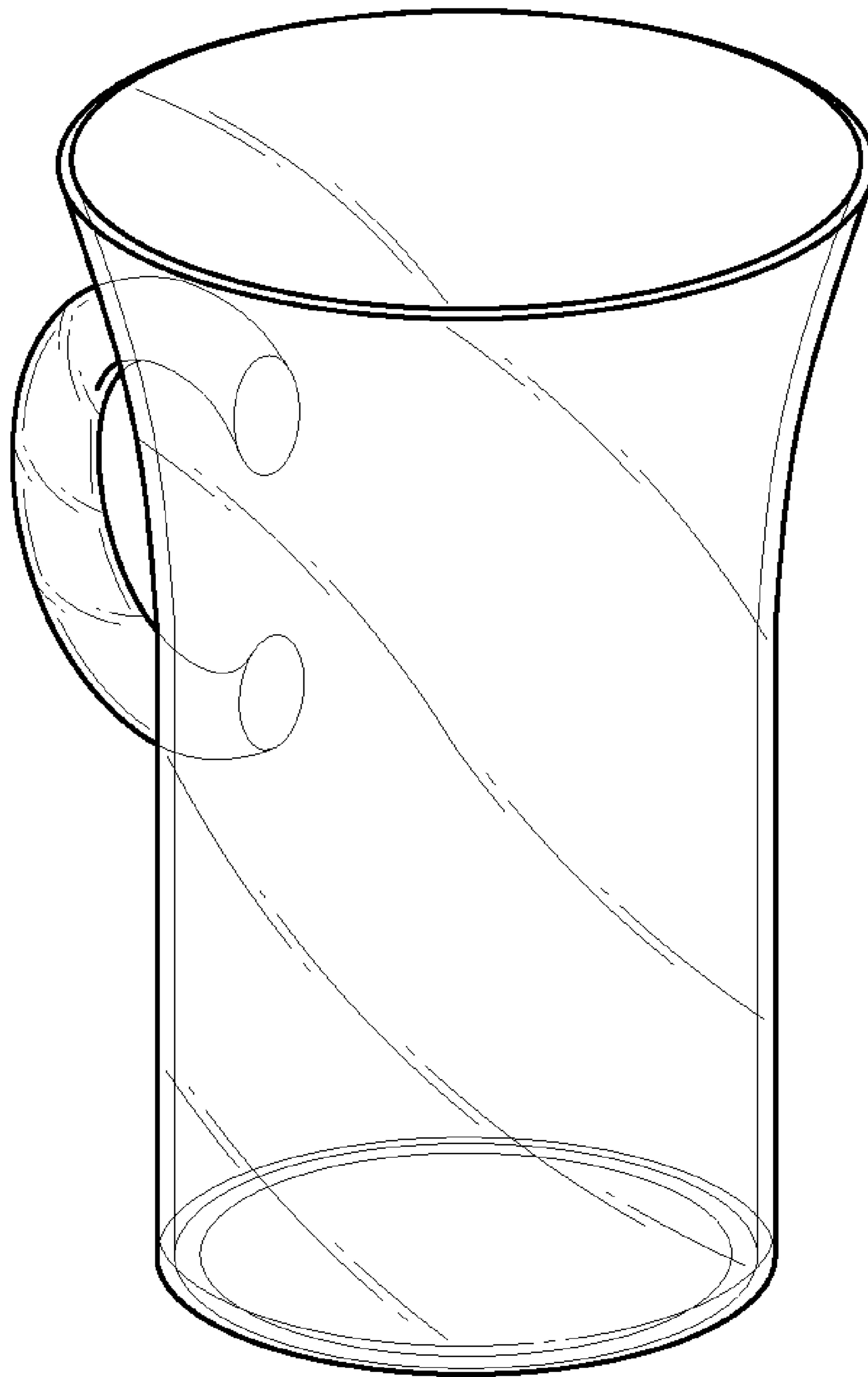


FIG. 1

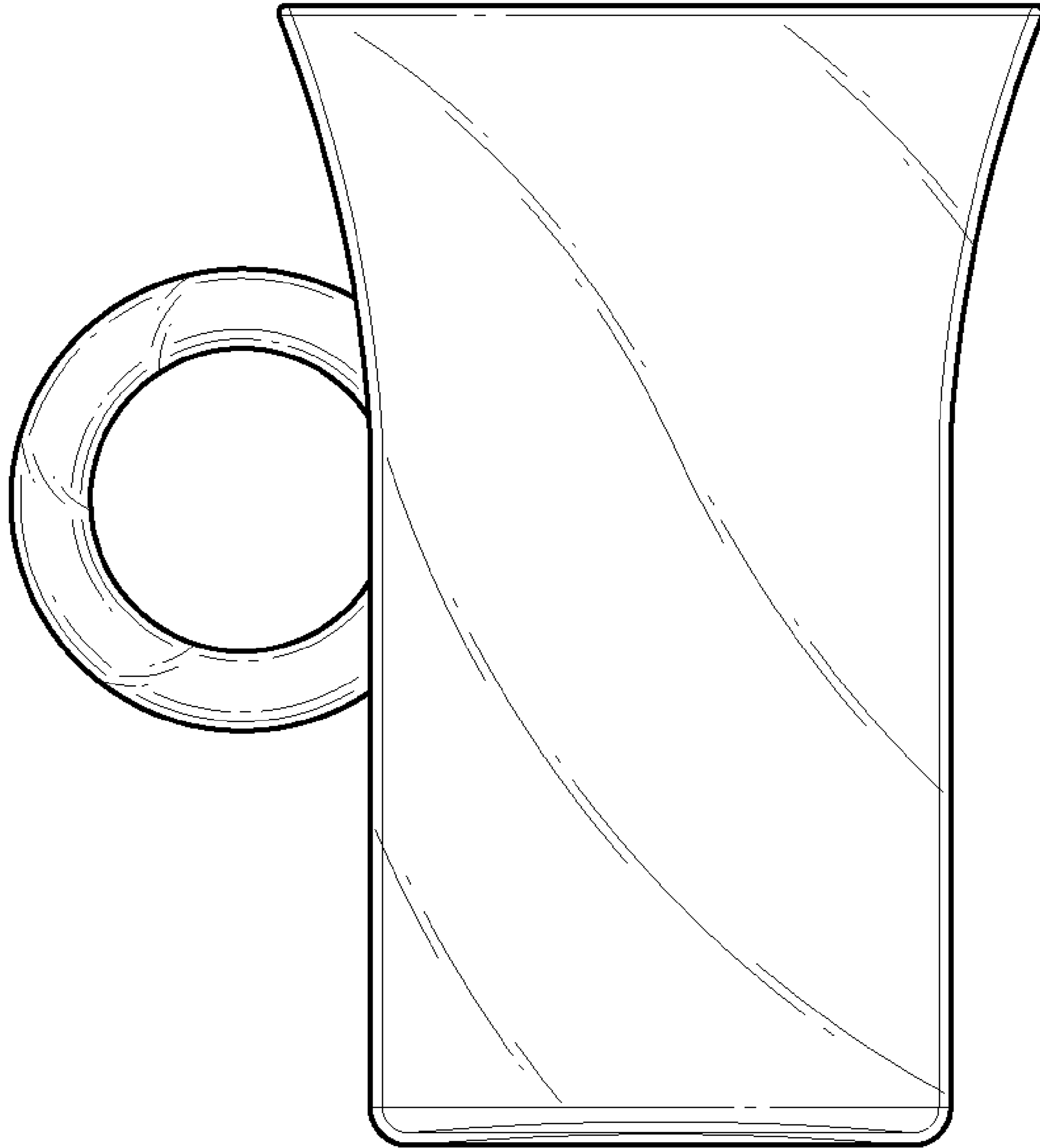


FIG. 2

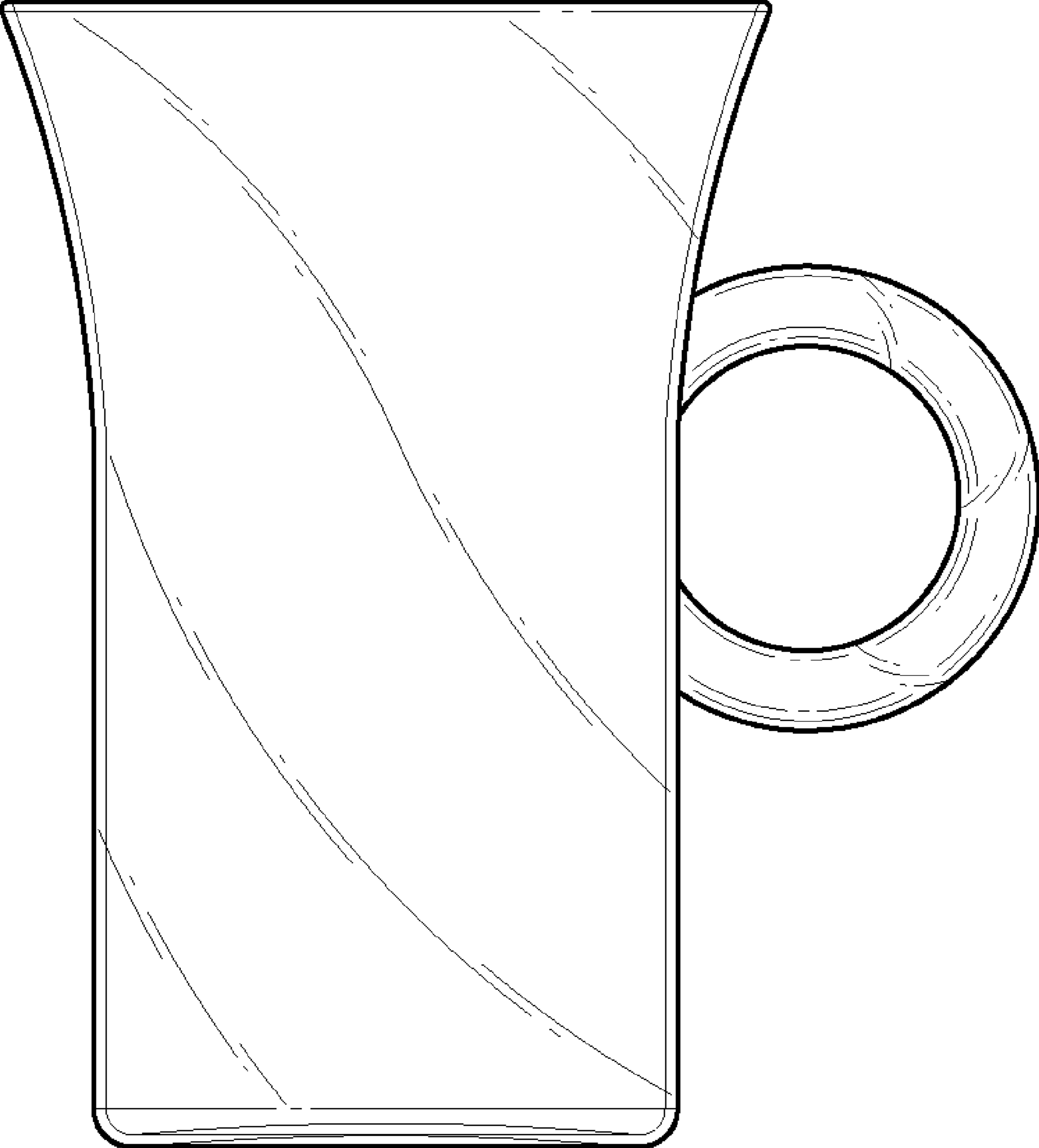


FIG. 3

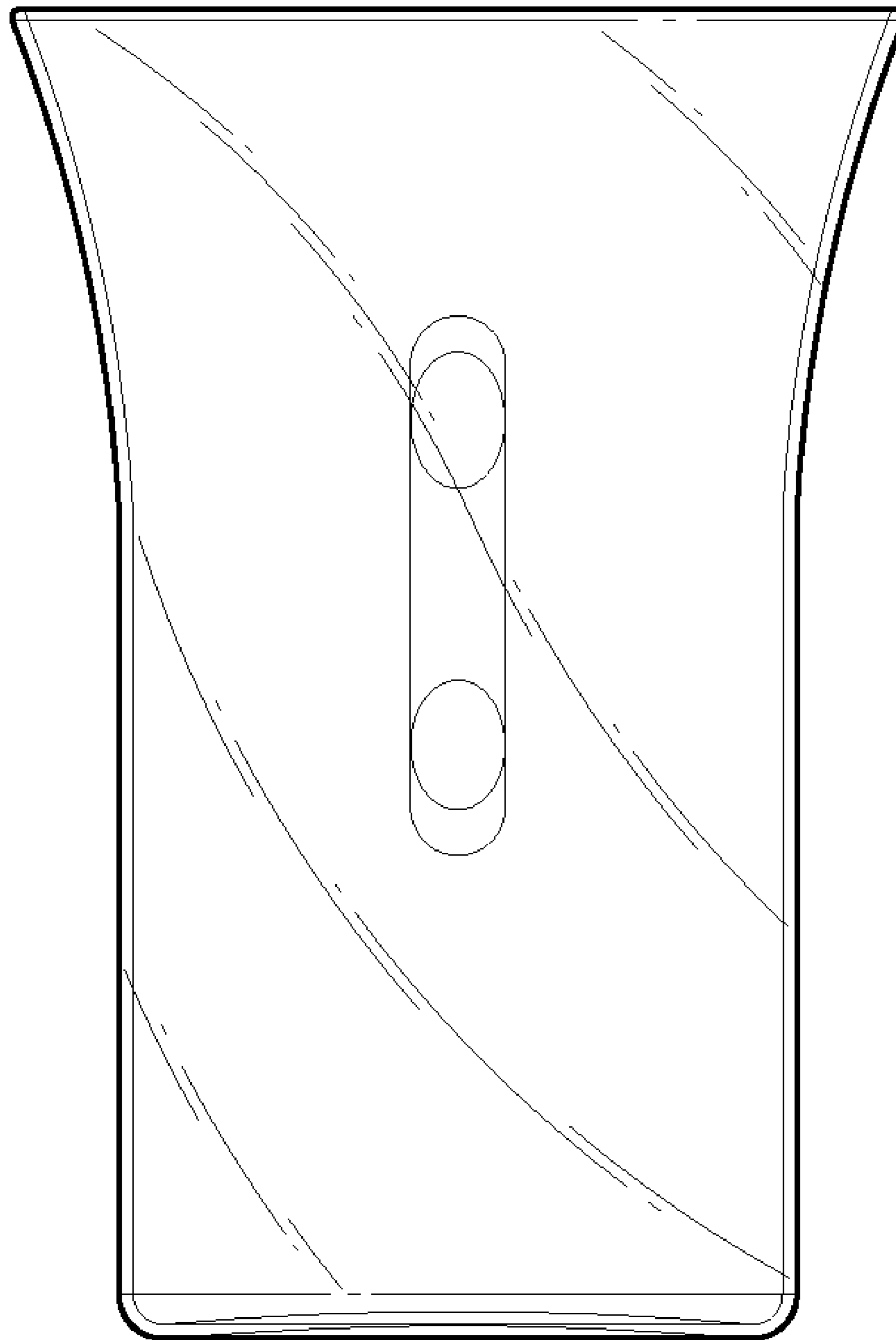


FIG. 4

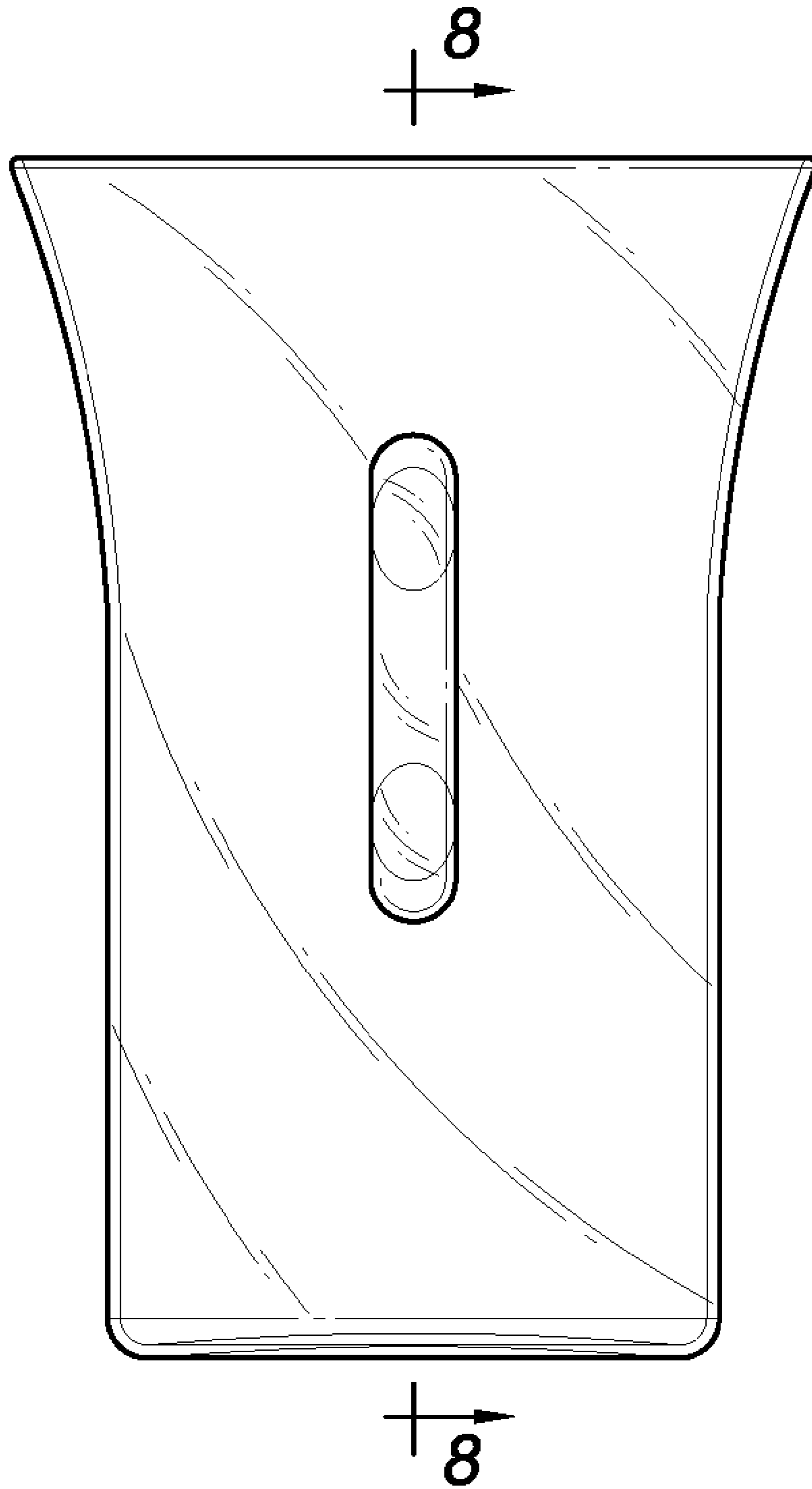


FIG. 5

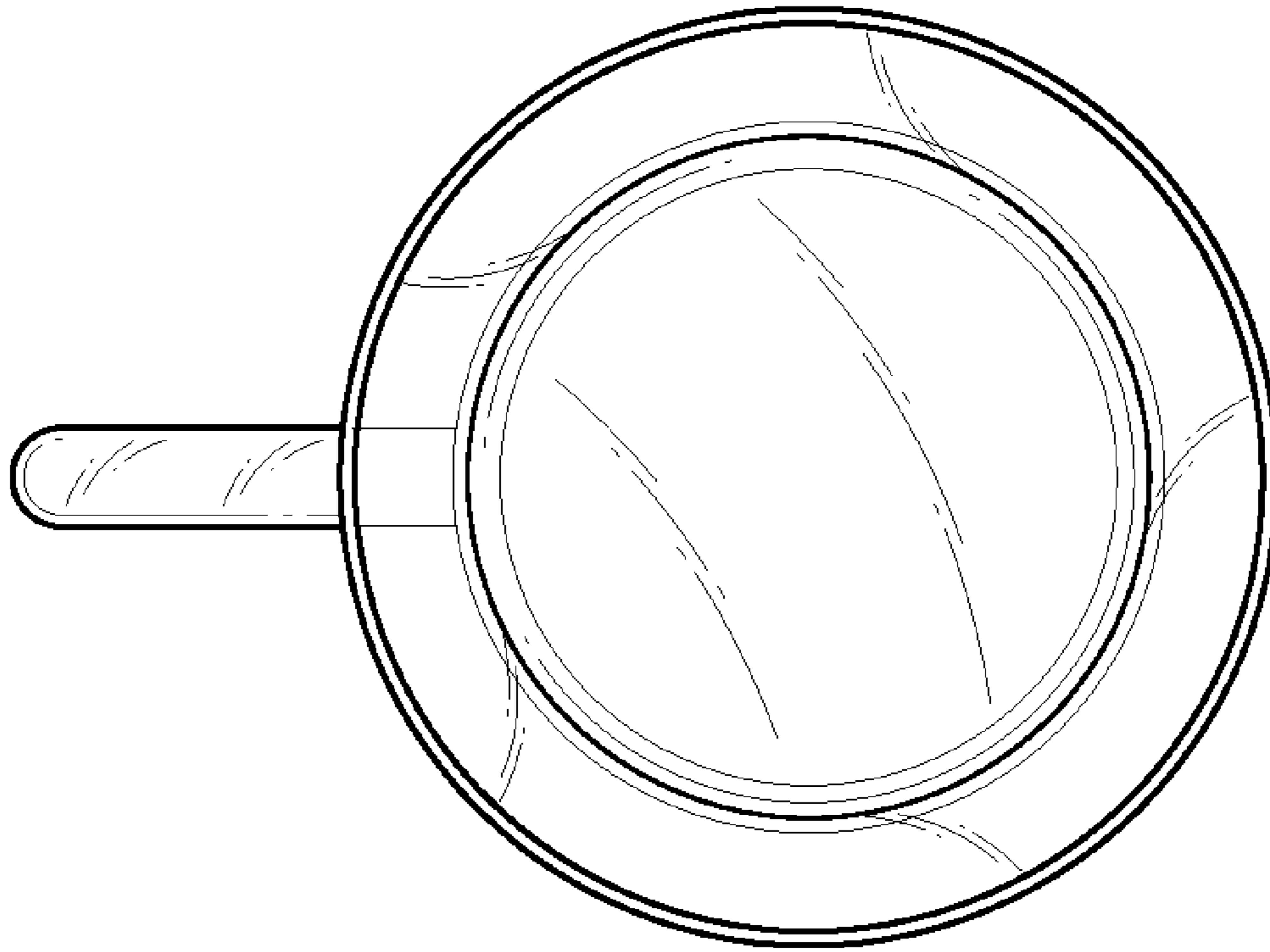


FIG. 6

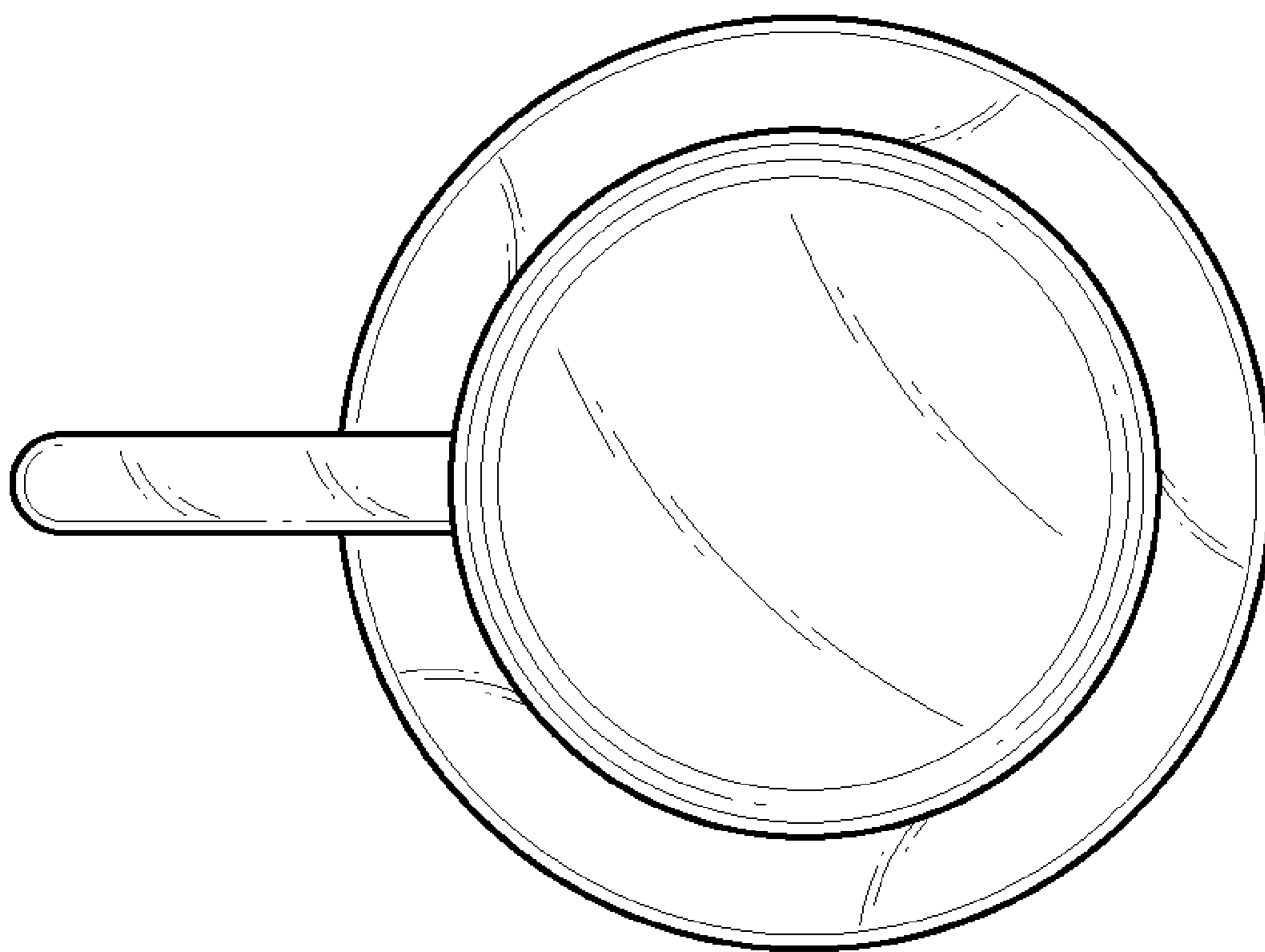


FIG. 7

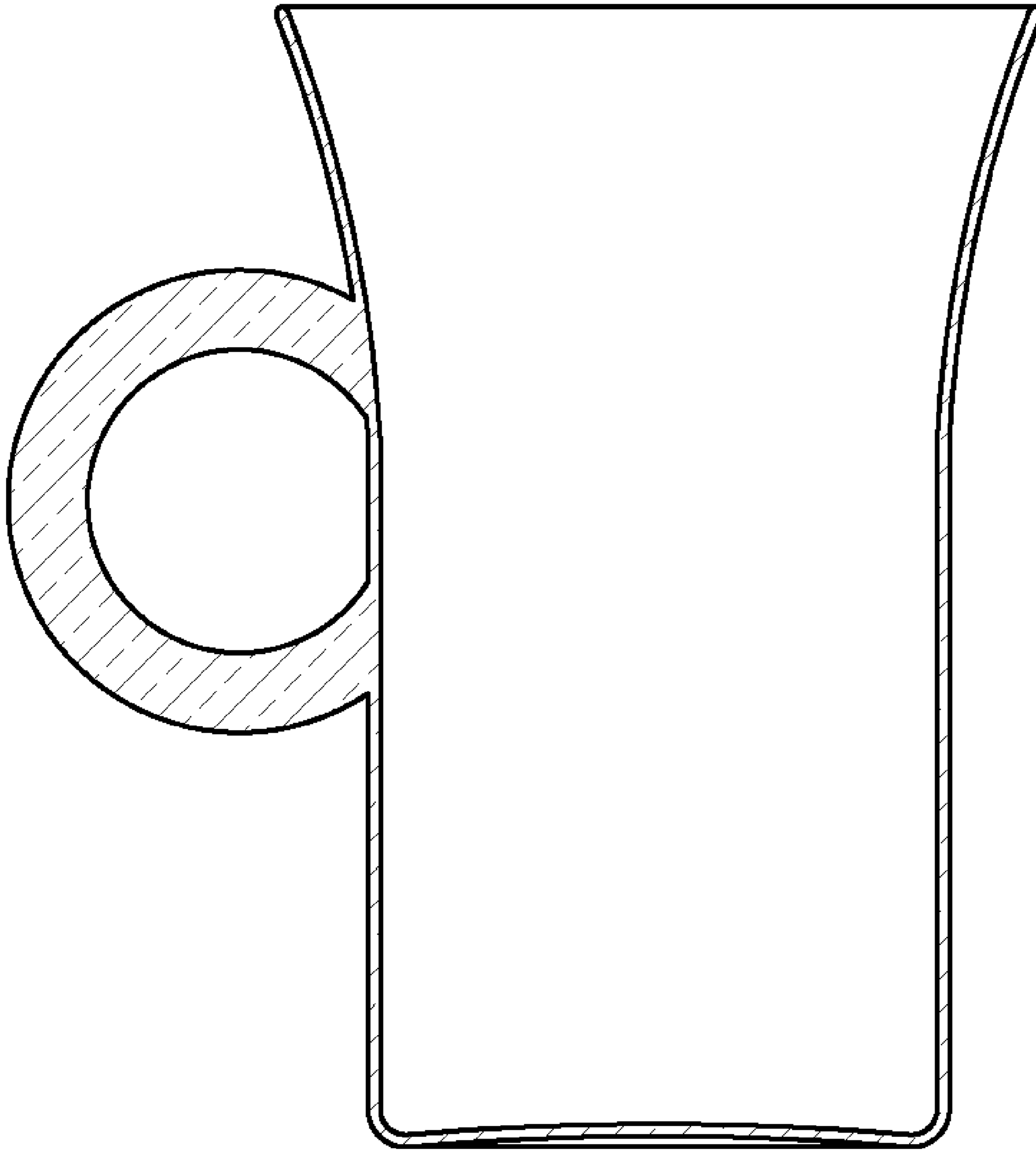


FIG. 8