



US00D553440S

(12) **United States Design Patent**
Bodum

(10) **Patent No.:** **US D553,440 S**

(45) **Date of Patent:** **** Oct. 23, 2007**

(54) **DRINKING GLASS**

(75) Inventor: **Jørgen Bodum**, St. Niklausen (CH)

(73) Assignee: **Pi-Design AG**, Triengen (CH)

(**) Term: **14 Years**

(21) Appl. No.: **29/255,783**

(22) Filed: **Mar. 10, 2006**

(30) **Foreign Application Priority Data**

Sep. 14, 2005 (DK) DA 2005 00260

(51) **LOC (8) Cl.** **07-01**

(52) **U.S. Cl.** **D7/523; D7/500; D7/509**

(58) **Field of Classification Search** D7/396.2,
D7/500, 509, 510, 523, 524, 526-528, 530-532,
D7/540, 565, 584, 900; D9/500, 502, 516,
D9/519, 549, 555, 776, 778; D34/1; 215/10,
215/387, DIG. 7, 12.1; 220/495.04, 560,
220/592.16, 592.17, 703; 226/406; 229/400;
383/110

See application file for complete search history.

(56) **References Cited**

U.S. PATENT DOCUMENTS

D4,225 S * 7/1870 Atterbury et al. D9/500
723,796 A * 3/1903 Williams 220/592.17
2,051,446 A * 8/1936 Ice 215/12.1

D108,788 S * 3/1938 Kostellow D7/523
3,269,144 A * 8/1966 Poris 62/457.3
D289,484 S * 4/1987 Forquer et al. D7/532
D438,430 S * 3/2001 Gabrhel D7/523
D471,404 S * 3/2003 Gady D7/523
D484,365 S * 12/2003 Wyche D7/523
D519,785 S * 5/2006 Bodum D7/523
D523,693 S * 6/2006 Bodum D7/523
D526,848 S * 8/2006 Bodum D7/523
7,104,413 B2 * 9/2006 Liu 215/12.1

* cited by examiner

Primary Examiner—Philip S. Hyder

Assistant Examiner—Cynthia Underwood

(74) *Attorney, Agent, or Firm*—Cowan, Liebowitz & Latman, PC

(57) **CLAIM**

The ornamental design for a drinking glass, as shown and described.

DESCRIPTION

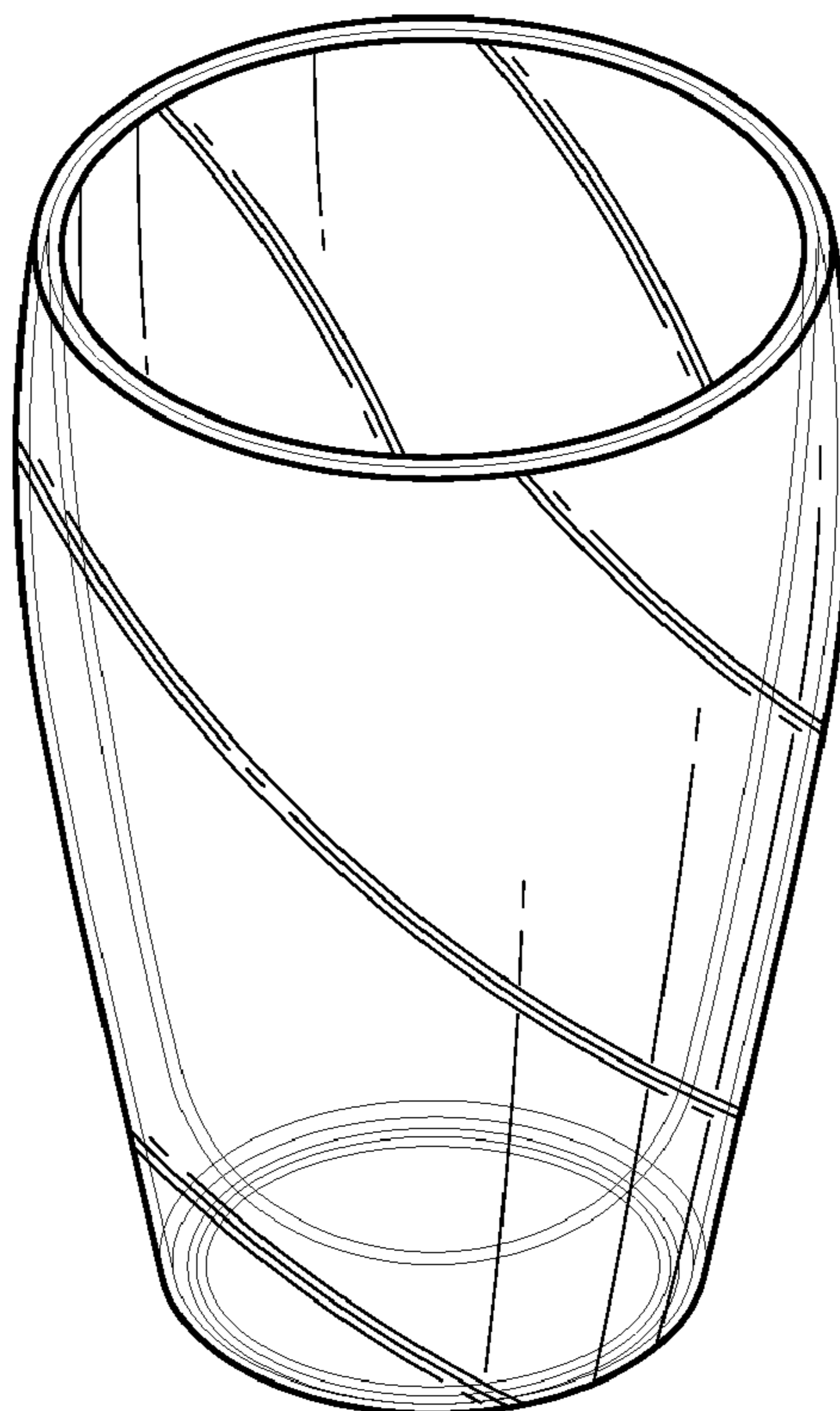
FIG. 1 is a perspective view of the drinking glass showing my design thereof;

FIG. 2 is a front view thereof;

FIG. 3 is a top view thereof; and,

FIG. 4 is a bottom view thereof.

1 Claim, 4 Drawing Sheets



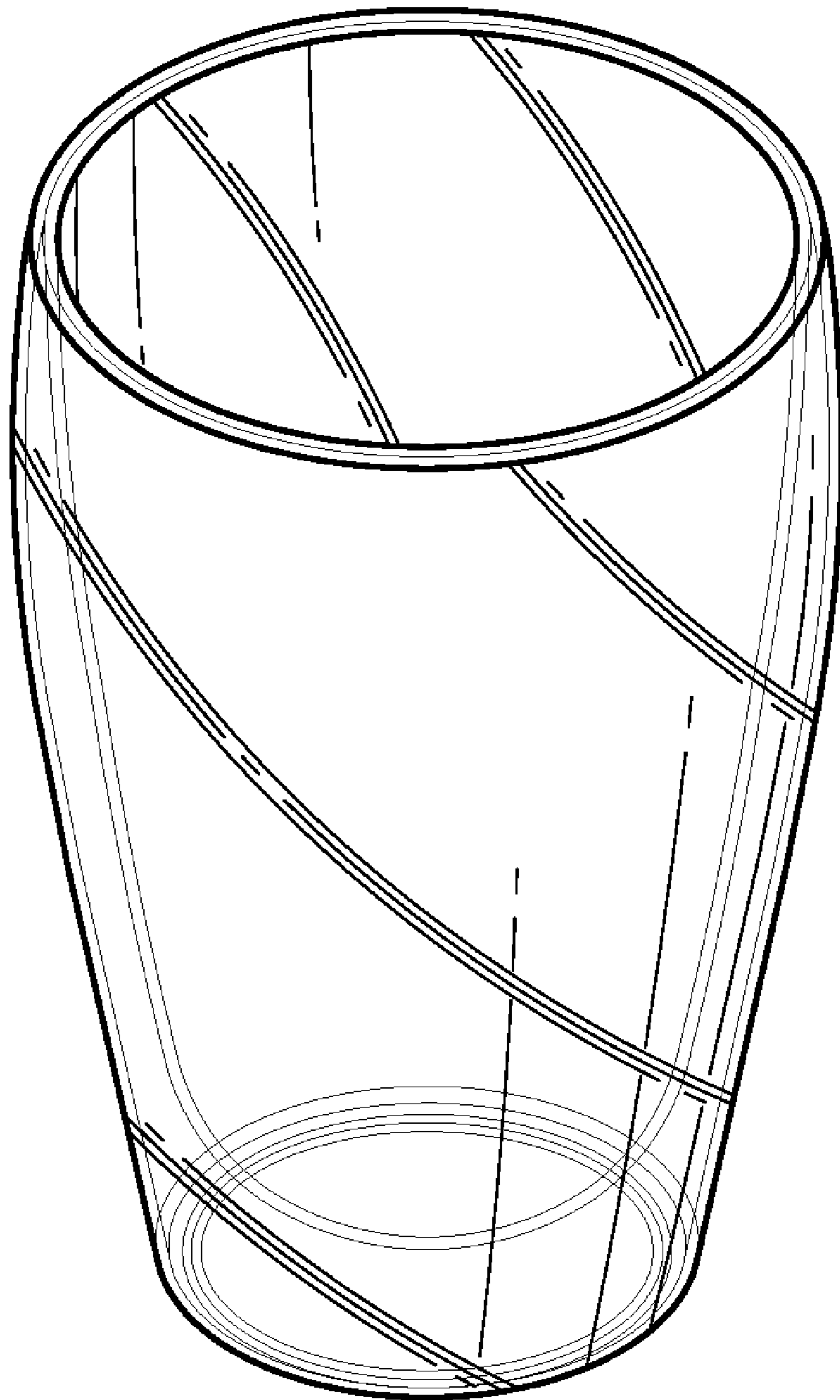


FIG. 1

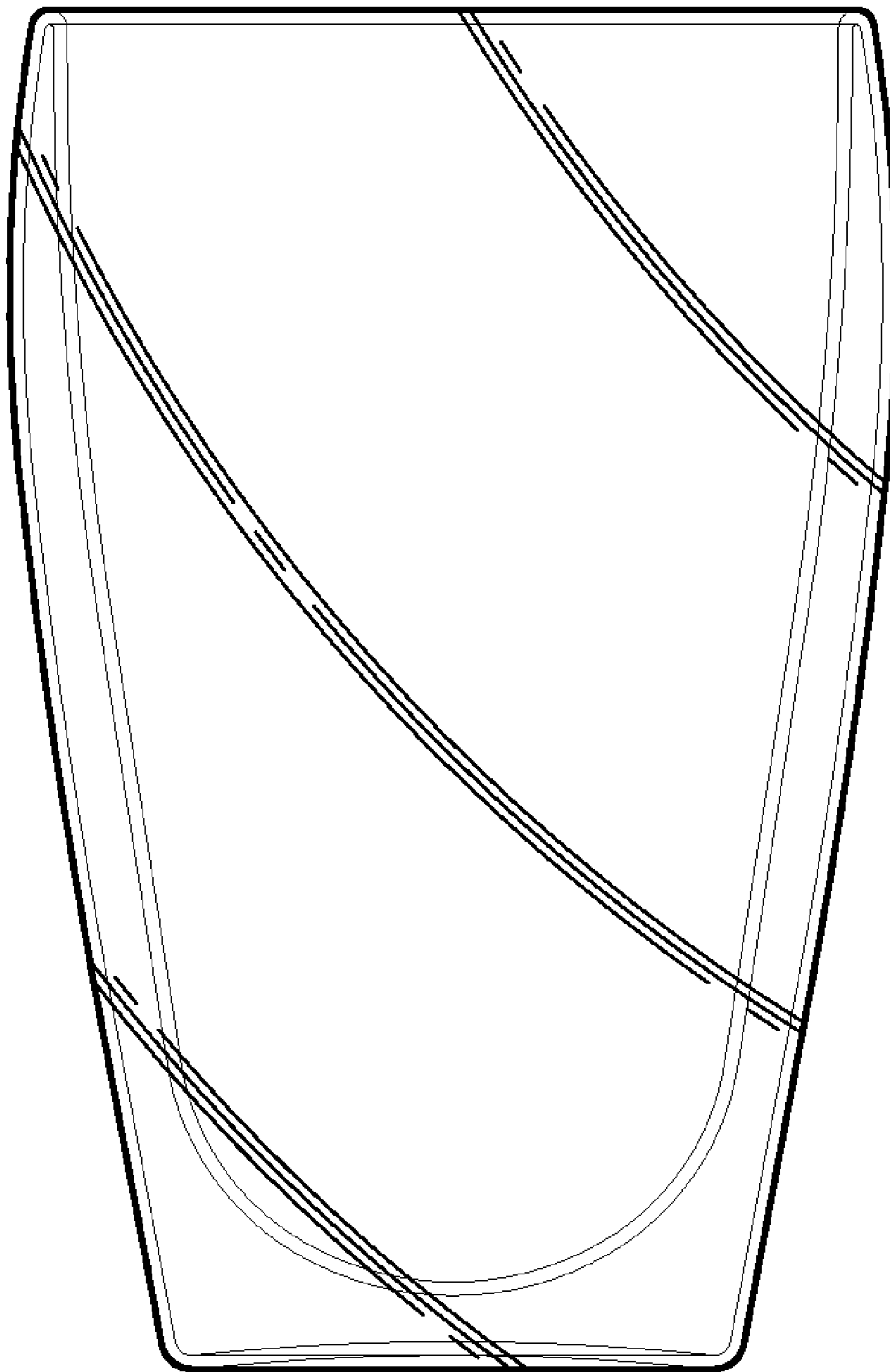


FIG. 2

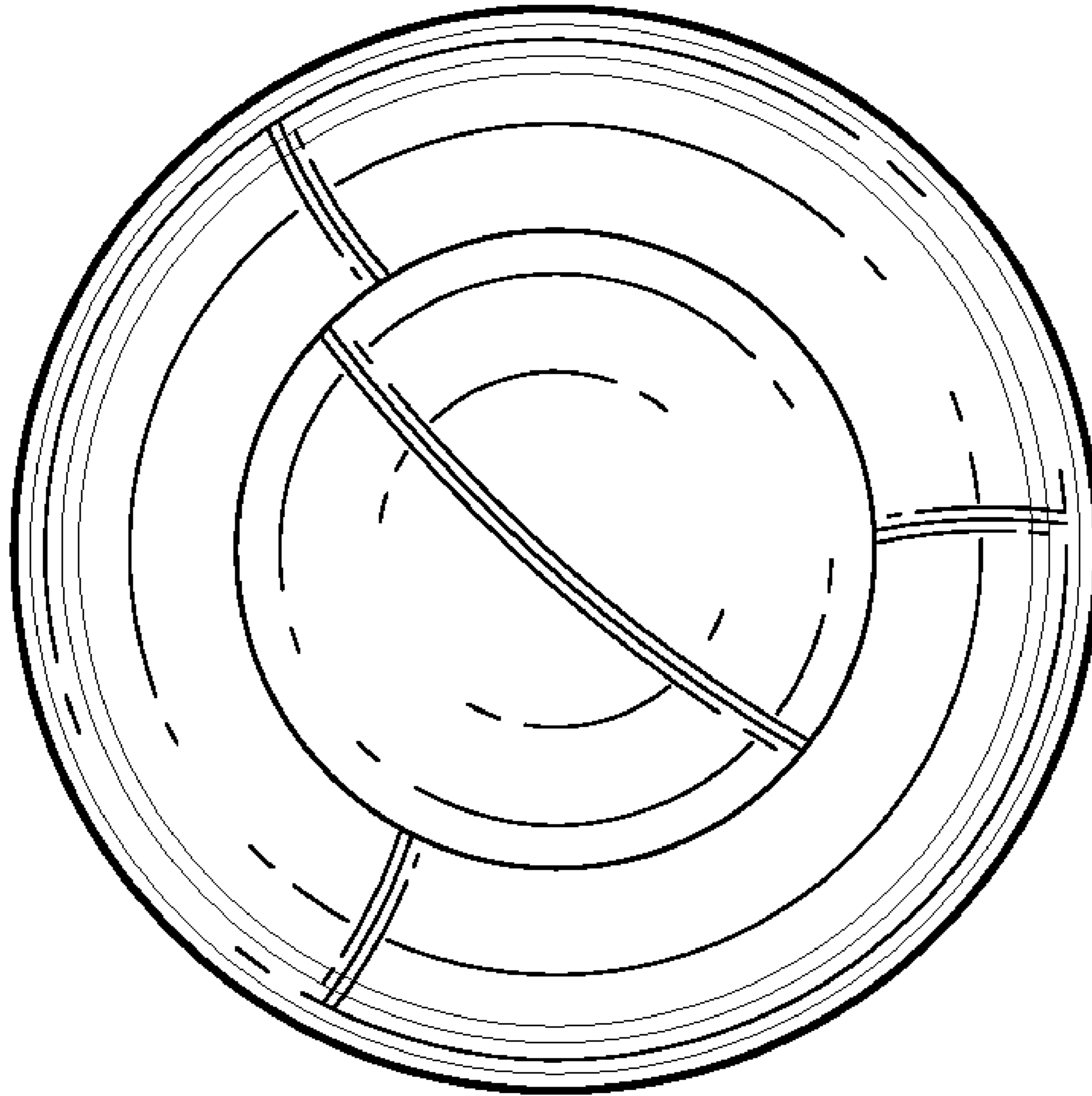


FIG. 3

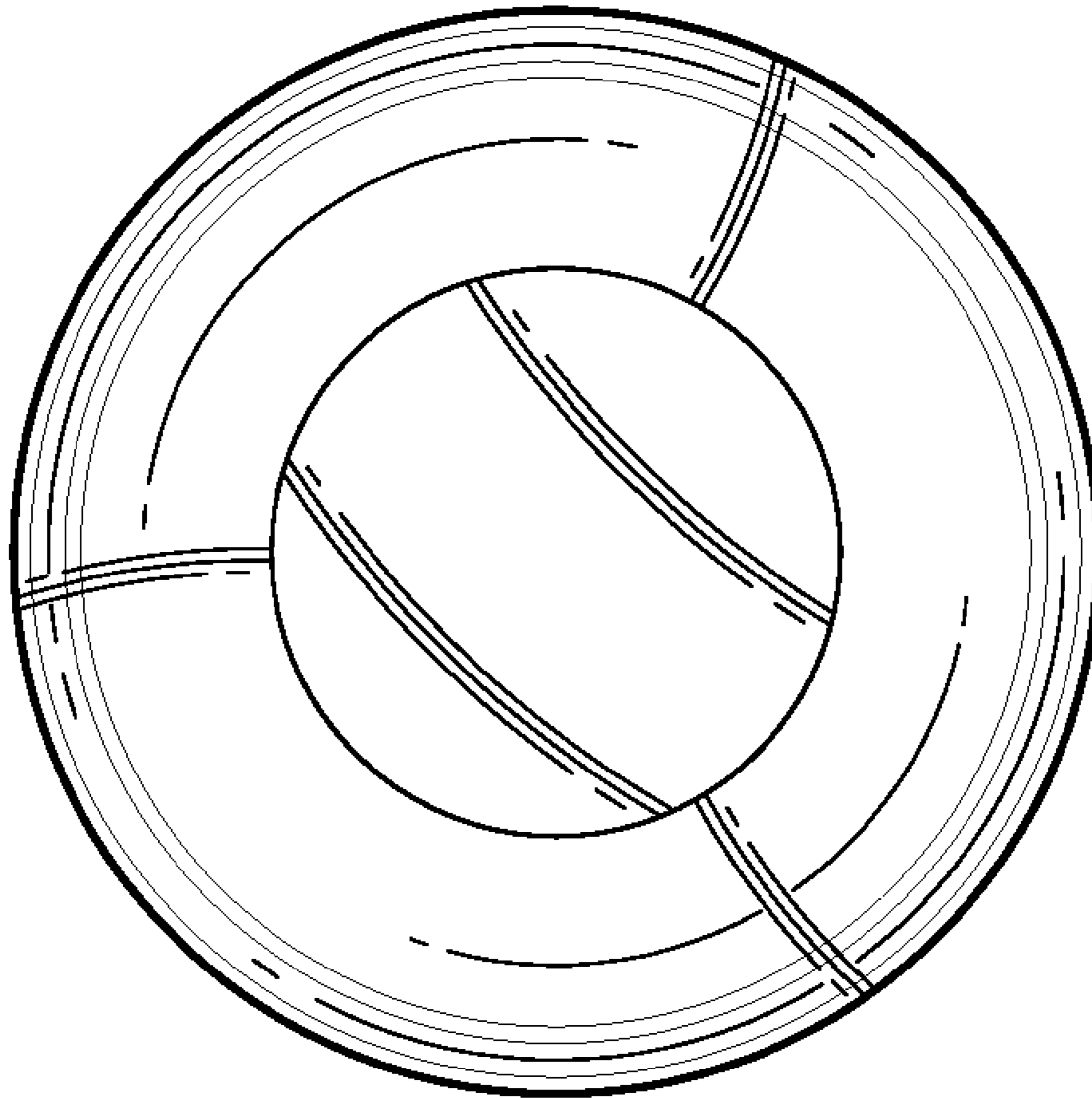


FIG. 4