

US00D553428S

(12) **United States Design Patent**
Henderson

(10) **Patent No.:** **US D553,428 S**

(45) **Date of Patent:** **** Oct. 23, 2007**

(54) **KETTLE HANDLE**

(75) Inventor: **Scott A. Henderson**, Brooklyn, NY
(US)

(73) Assignee: **Lentrade, Inc.**, Houston, TX (US)

(**) Term: **14 Years**

(21) Appl. No.: **29/253,212**

(22) Filed: **Feb. 2, 2006**

(51) **LOC (8) Cl.** **07-01**

(52) **U.S. Cl.** **D7/393; D7/397; D7/399;**
D7/322

(58) **Field of Classification Search** **D7/397,**
D7/398, 399, 321, 322, 393, 394, 395; 222/469,
222/472, 473, 505, 465.1, 475.1; 177/149
See application file for complete search history.

(56) **References Cited**

U.S. PATENT DOCUMENTS

2,670,107	A *	2/1954	Welden	222/474
D192,016	S *	1/1962	Cronheim	D7/322
D192,257	S *	2/1962	Ebstein	D7/393
D221,062	S *	7/1971	Huthsing	D23/211.1
D311,839	S *	11/1990	Hutter et al.	D7/317
D396,988	S *	8/1998	Lien	D7/322
6,006,294	A *	12/1999	Kurihara	710/52
6,006,959	A *	12/1999	Naden et al.	222/469
D445,294	S *	7/2001	Ryan et al.	D7/322

D448,963	S *	10/2001	Shim	D7/322
D451,757	S *	12/2001	Shim	D7/393
D511,648	S *	11/2005	Henderson	D7/397
D535,148	S *	1/2007	Palm et al.	D7/397
D541,573	S *	5/2007	Lebowitz	D7/322
D544,751	S *	6/2007	Henderson	D7/397

* cited by examiner

Primary Examiner—M. N. Pandozzi

(74) *Attorney, Agent, or Firm*—Patrick K. Steele; Streets & Steele

(57) **CLAIM**

The ornamental design for a kettle handle, as shown and described.

DESCRIPTION

FIG. 1 is a front perspective view of the kettle handle, showing my new design;

FIG. 2 is a side elevational view thereof, the opposite side of which is an identical mirror image;

FIG. 3 is a front elevational view thereof;

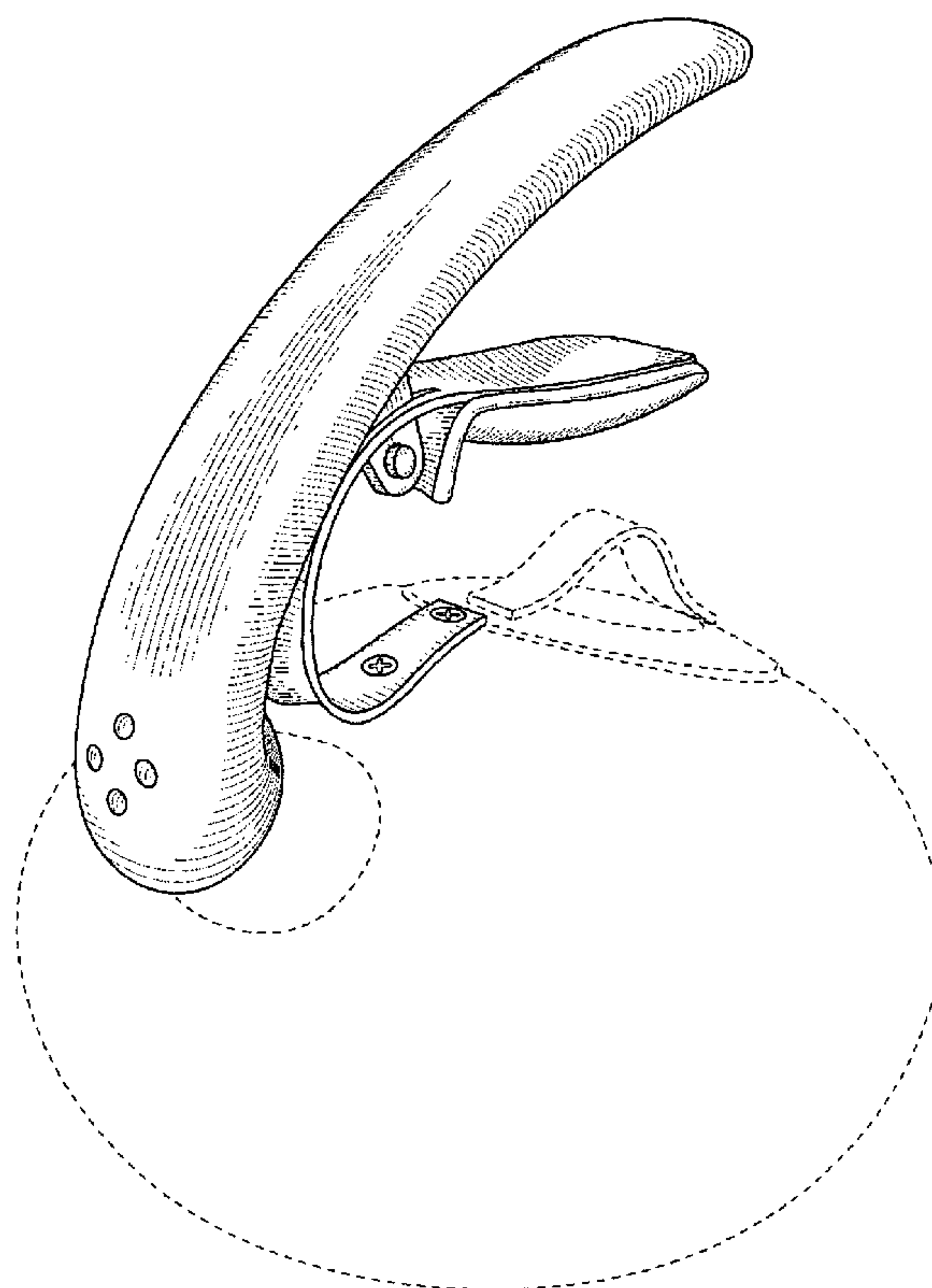
FIG. 4 is a rear elevational view thereof;

FIG. 5 is a top plan view thereof;

FIG. 6 is a bottom plan view thereof; and,

FIG. 7 is a bottom perspective view thereof.

1 Claim, 4 Drawing Sheets



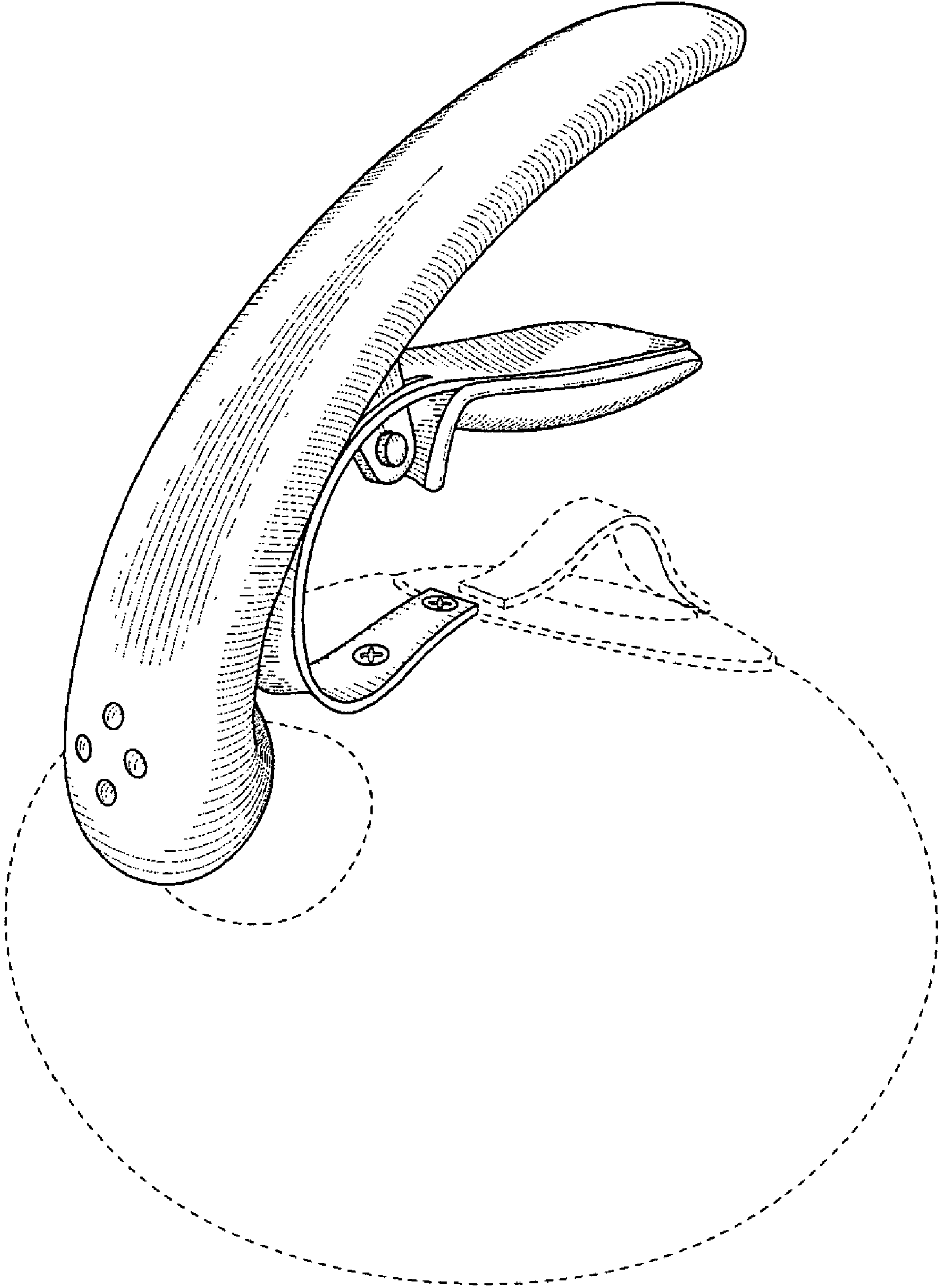


FIG. 1

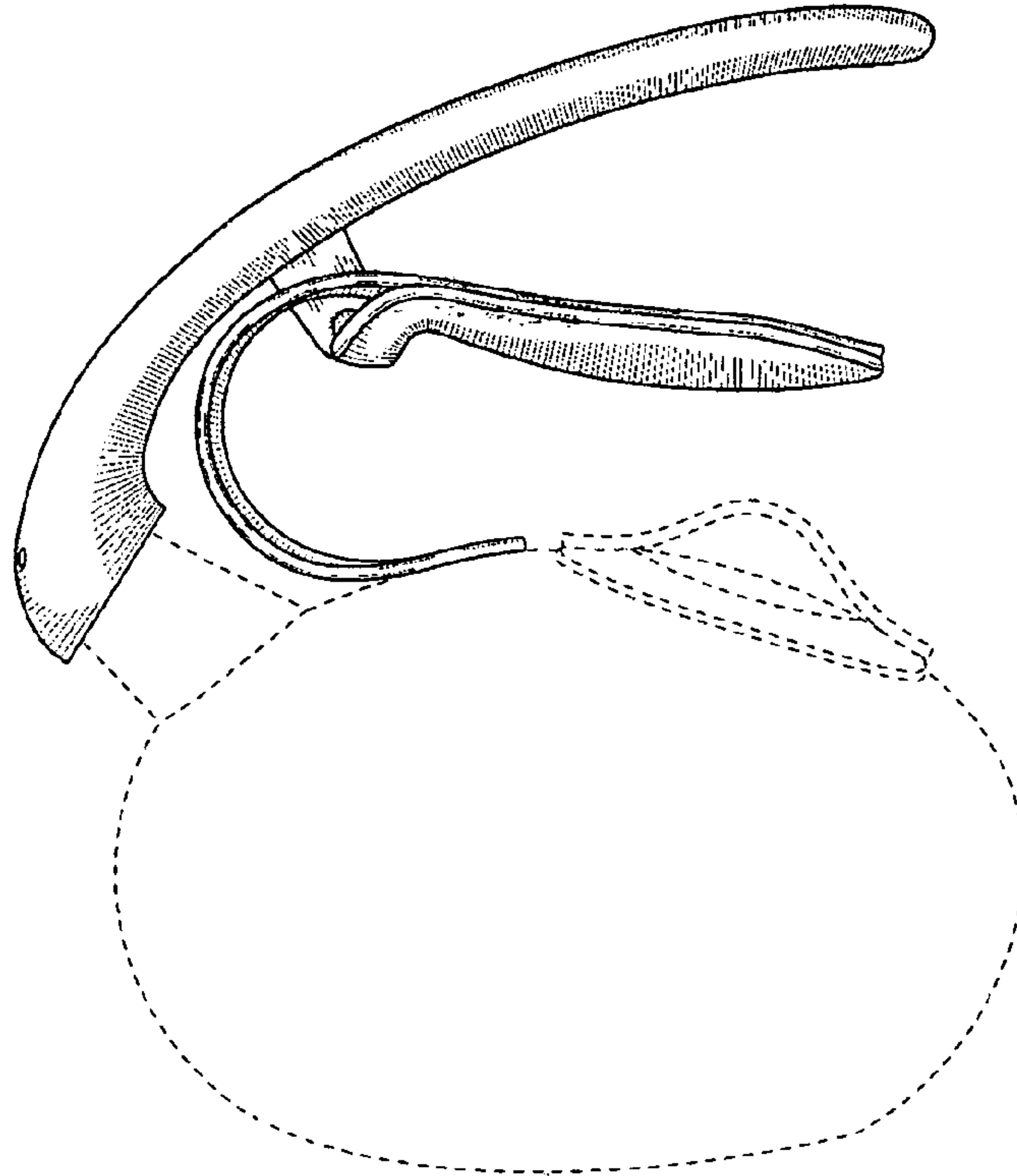


FIG. 2

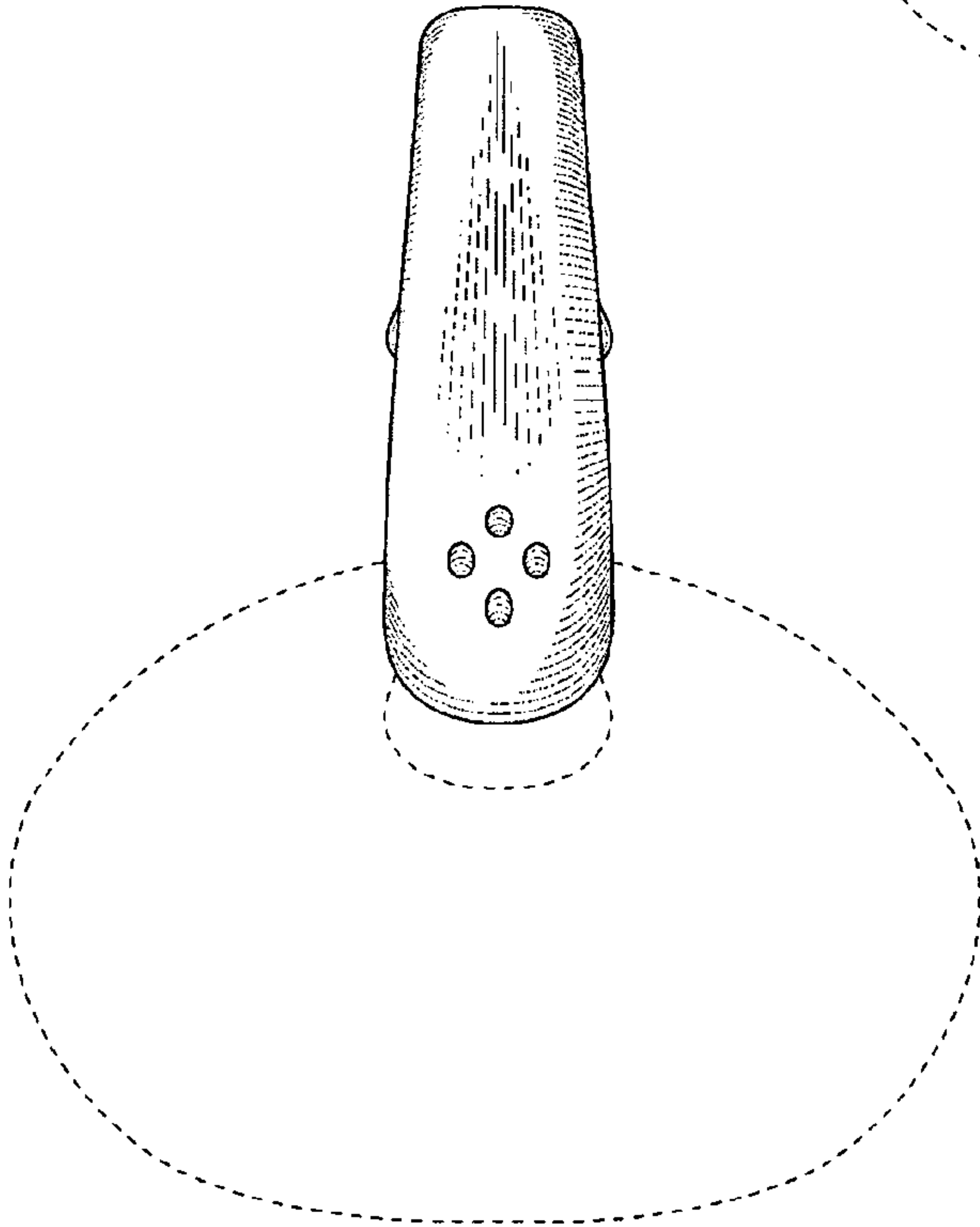


FIG. 3

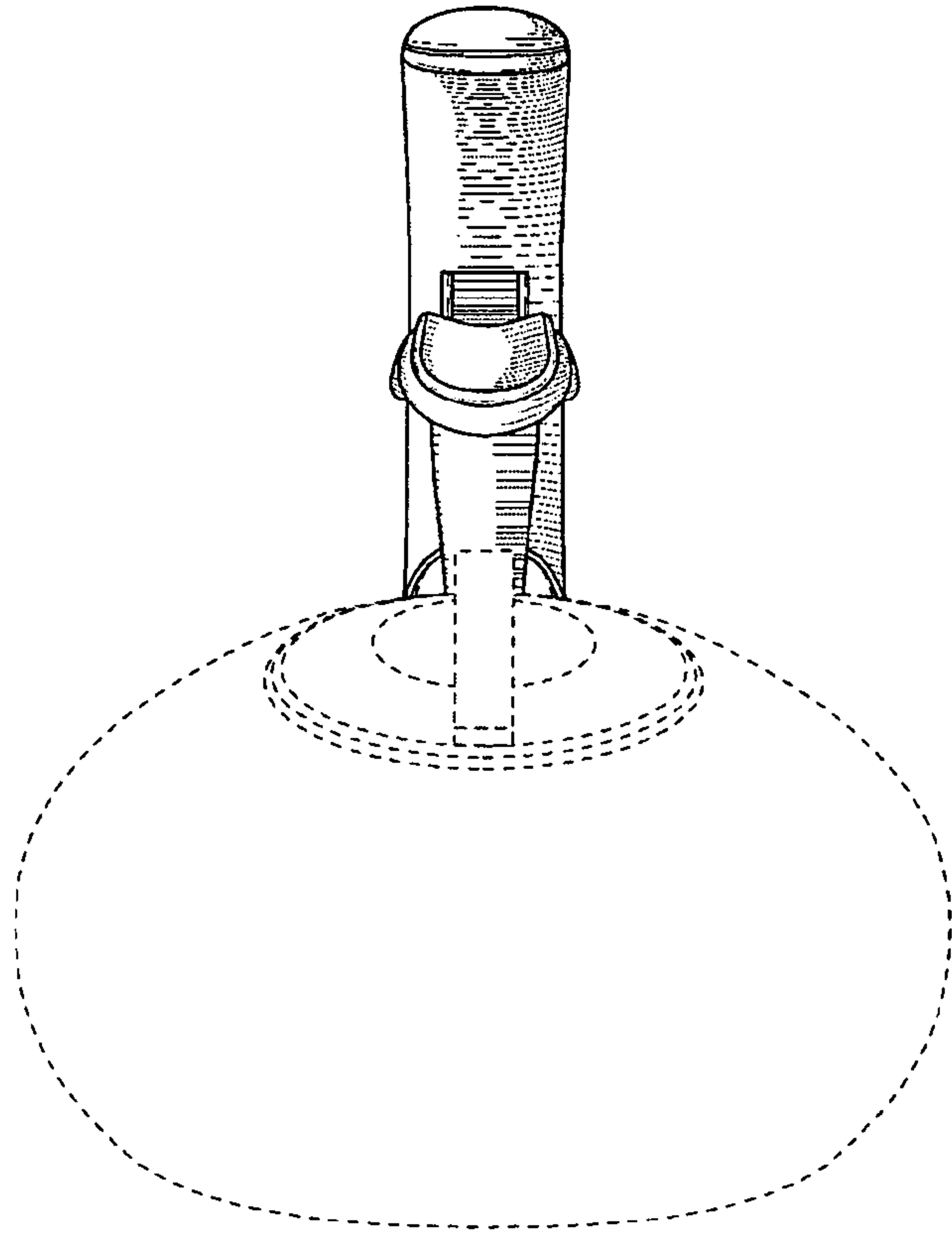


FIG. 4

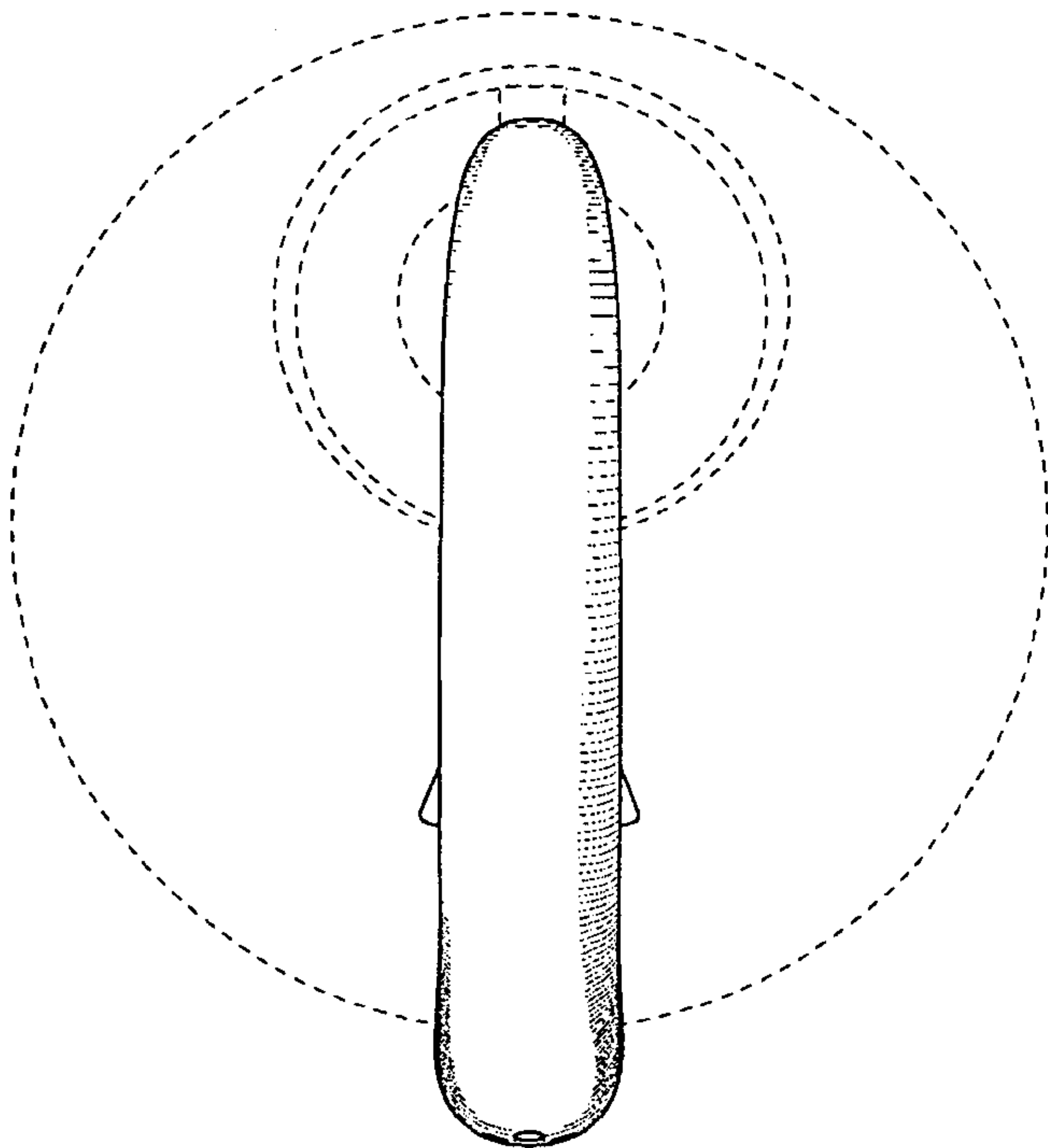


FIG. 5

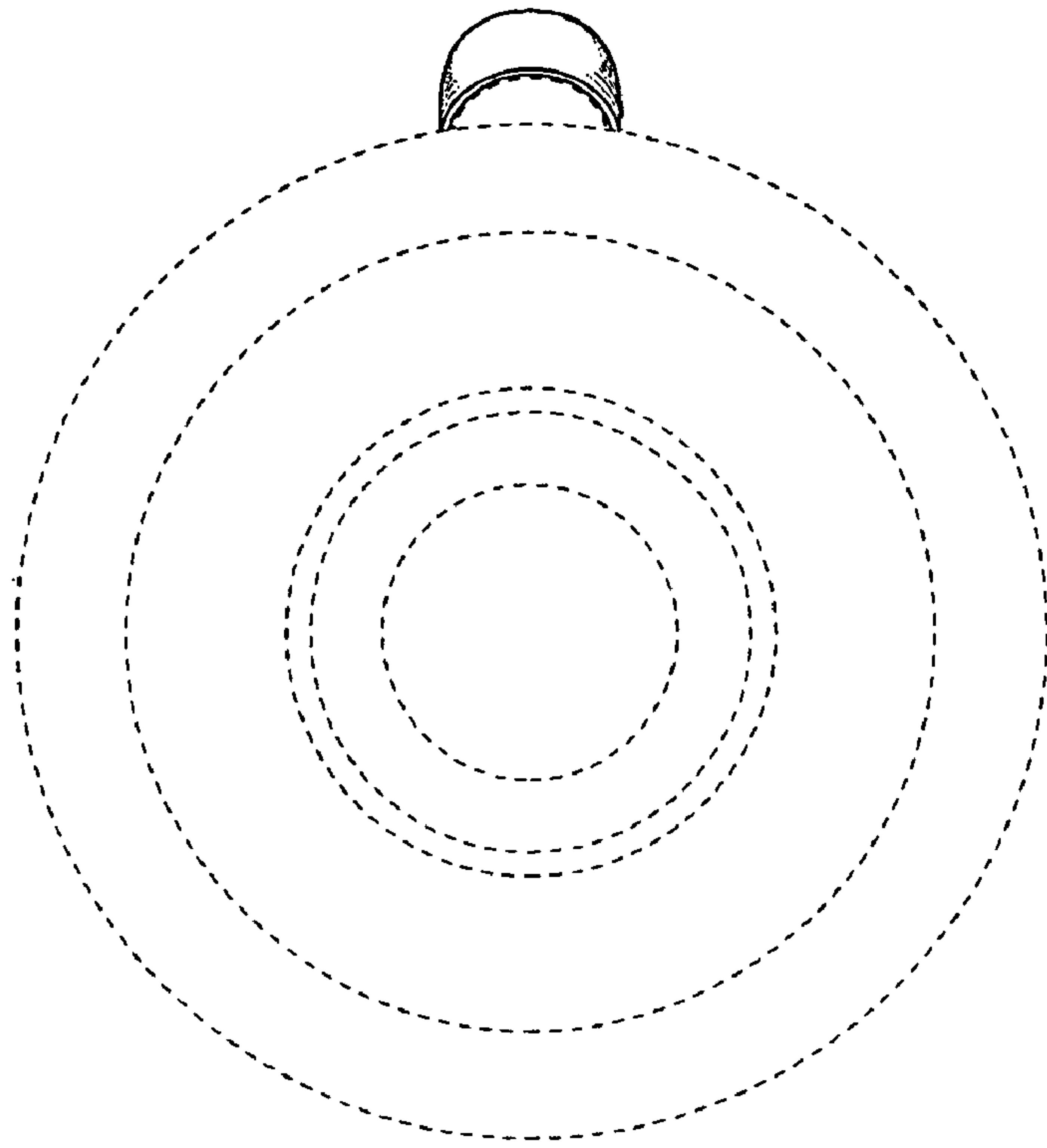


FIG. 6

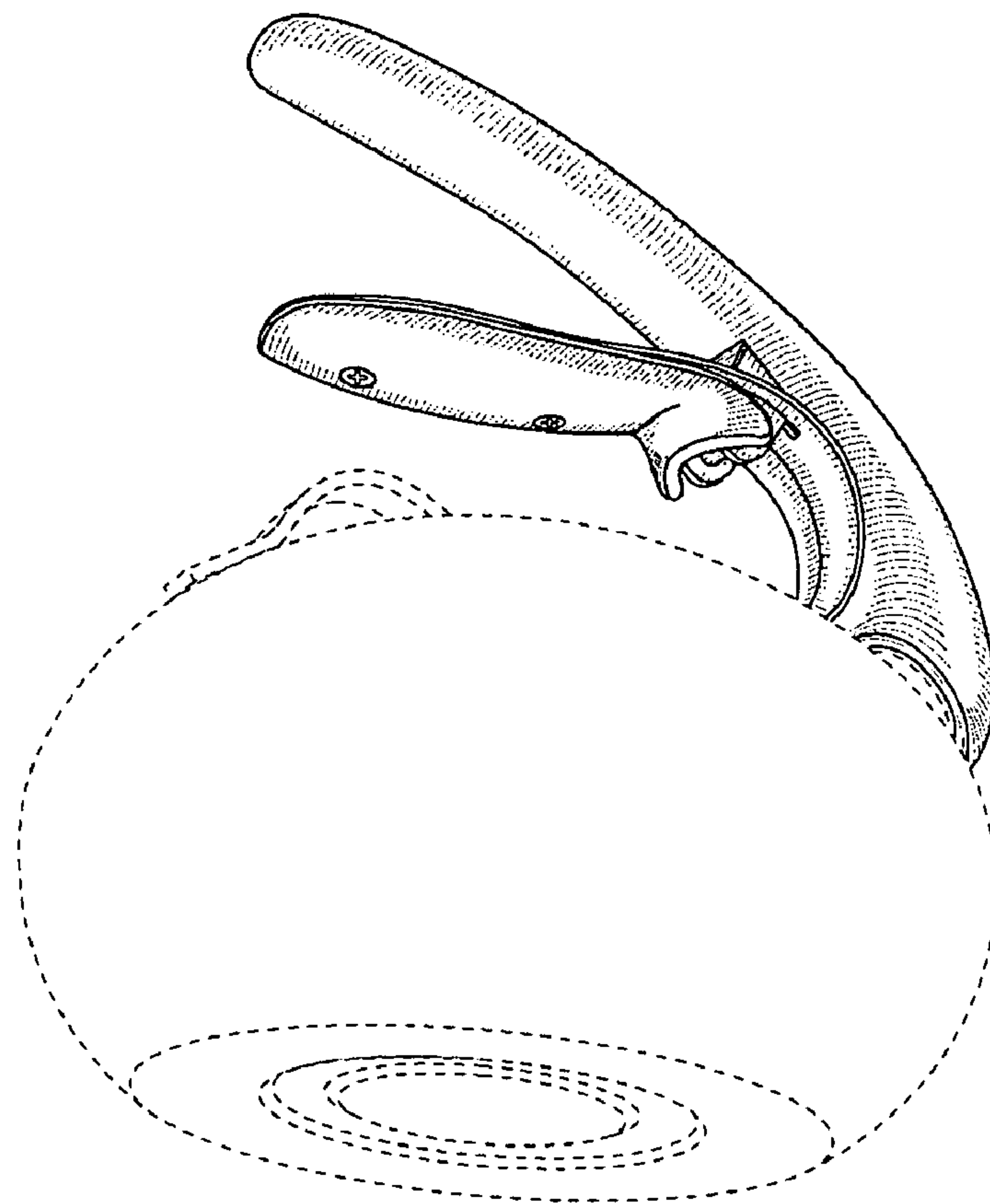


FIG. 7