



US00D553427S

(12) **United States Design Patent**
Ball

(10) **Patent No.:** **US D553,427 S**

(45) **Date of Patent:** **** Oct. 23, 2007**

(54) **FOOD PROCESSOR**

(75) Inventor: **Alan D Ball**, Somerville, MA (US)

(73) Assignee: **Conair Corporation**, Stamford, CT (US)

(**) Term: **14 Years**

(21) Appl. No.: **29/261,515**

(22) Filed: **Jun. 15, 2006**

(51) **LOC (8) Cl.** **31-00**

(52) **U.S. Cl.** **D7/384**

(58) **Field of Classification Search** D7/368,
D7/372, 376-386, 399, 412-414; D8/34;
99/337, 509-511, 645; 241/30-37.5, 92,
241/93, 101.01-101.2, 166-169.1, 273.2,
241/273.3, 274-278.2, 285.1-285.3, 291,
241/292.1; 366/64-67, 197-221, 241-254,
366/279-292, 314, 341-343

See application file for complete search history.

(56) **References Cited**

U.S. PATENT DOCUMENTS

D171,753 S *	3/1954	Darr	D7/383
D236,283 S *	8/1975	McCue	D7/372
D236,425 S *	8/1975	McCue	D8/34
4,390,133 A *	6/1983	Wanat	241/93
D300,400 S *	3/1989	Kelly et al.	D7/381
4,884,755 A *	12/1989	Hedington	241/37.5

D339,026 S *	9/1993	Bannigan	D7/384
D348,177 S *	6/1994	Kelly et al.	D7/381
D483,987 S *	12/2003	Mauch	D7/384
D484,738 S *	1/2004	Wong	D7/372
2003/0226923 A1 *	12/2003	Starr et al.	241/282.1
2005/0207273 A1 *	9/2005	Newman et al.	366/314

* cited by examiner

Primary Examiner—Mimosa De

Assistant Examiner—Ricky Pham

(74) *Attorney, Agent, or Firm*—Lawrence Cruz

(57) **CLAIM**

The ornamental design for a food processor, as shown and described.

DESCRIPTION

FIG. 1 is a perspective view of a food processor showing my new design;

FIG. 2 is a right side view thereof;

FIG. 3 is a left side view thereof;

FIG. 4 is a front view thereof;

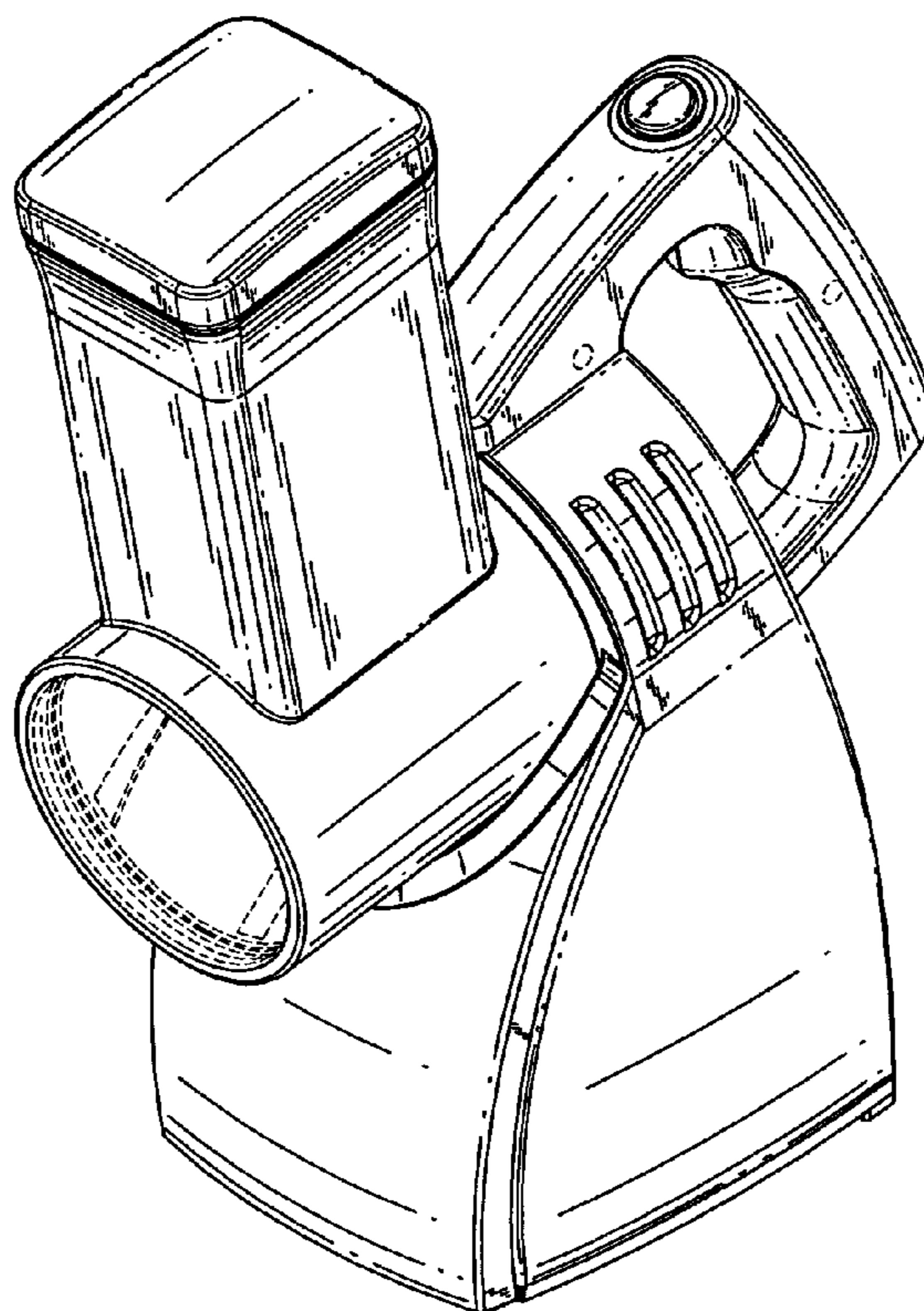
FIG. 5 is a rear view thereof;

FIG. 6 is a top view thereof; and,

FIG. 7 is a bottom view.

The broken lines are shown for illustrative purposes only and form no part of the claimed design.

1 Claim, 4 Drawing Sheets



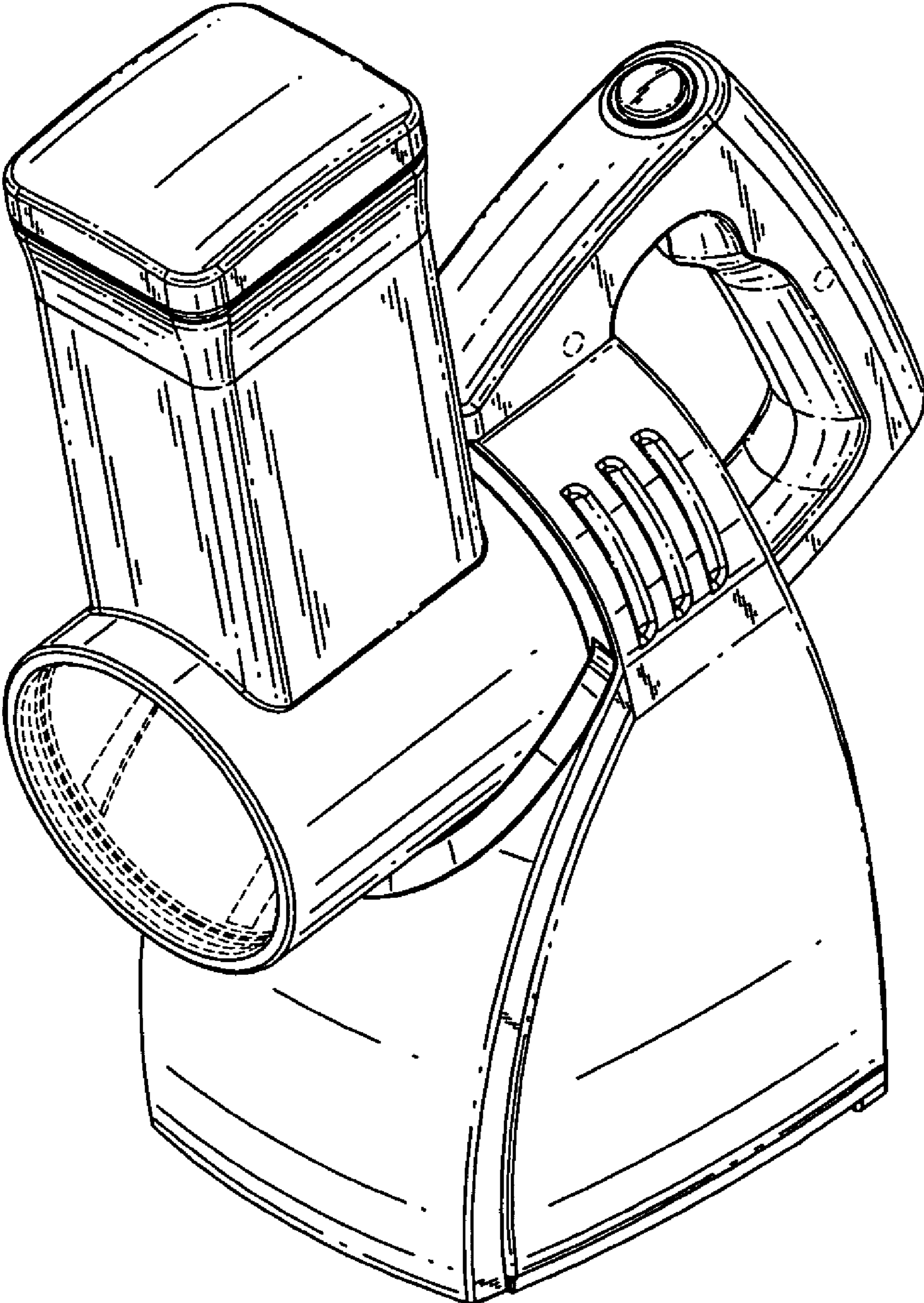


FIG. 1

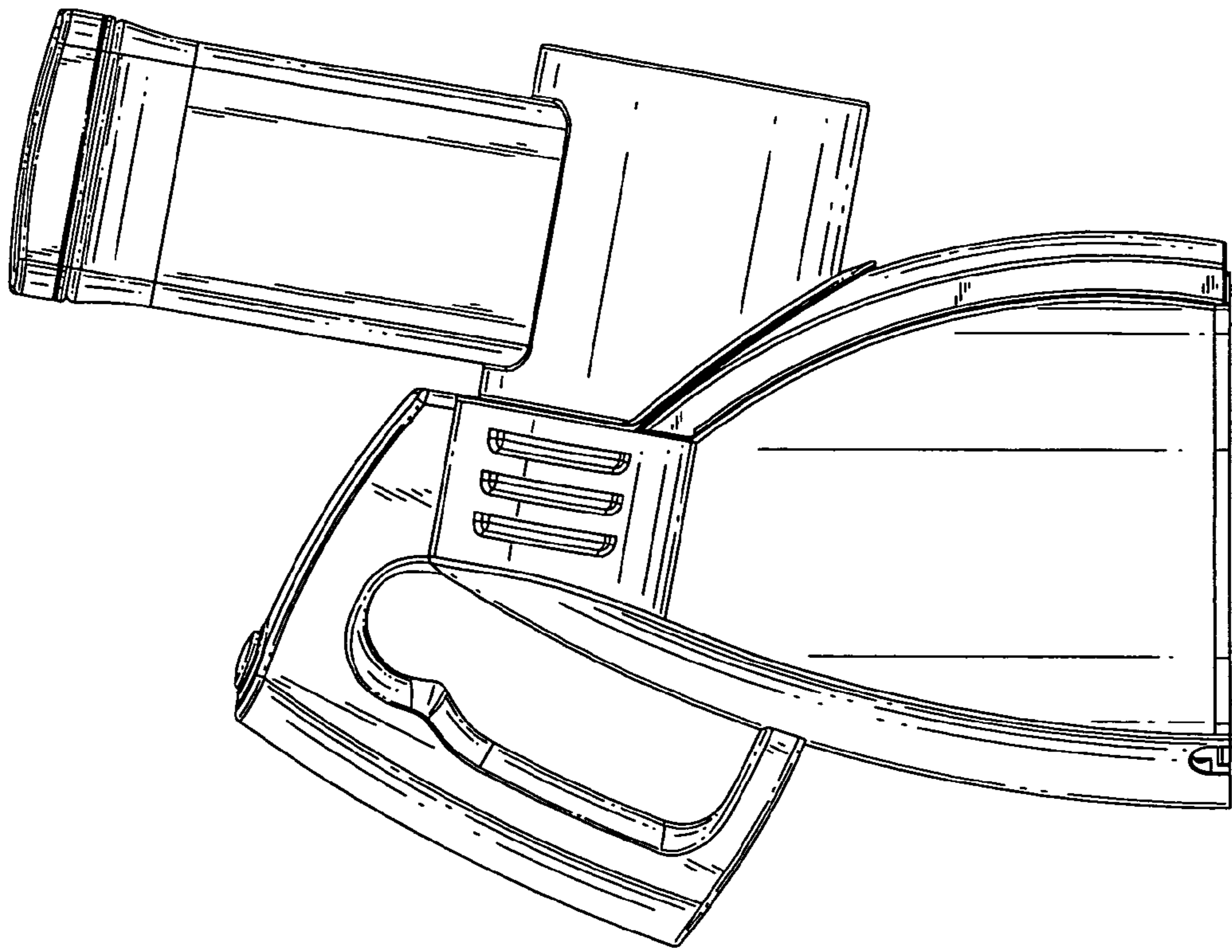


FIG. 3

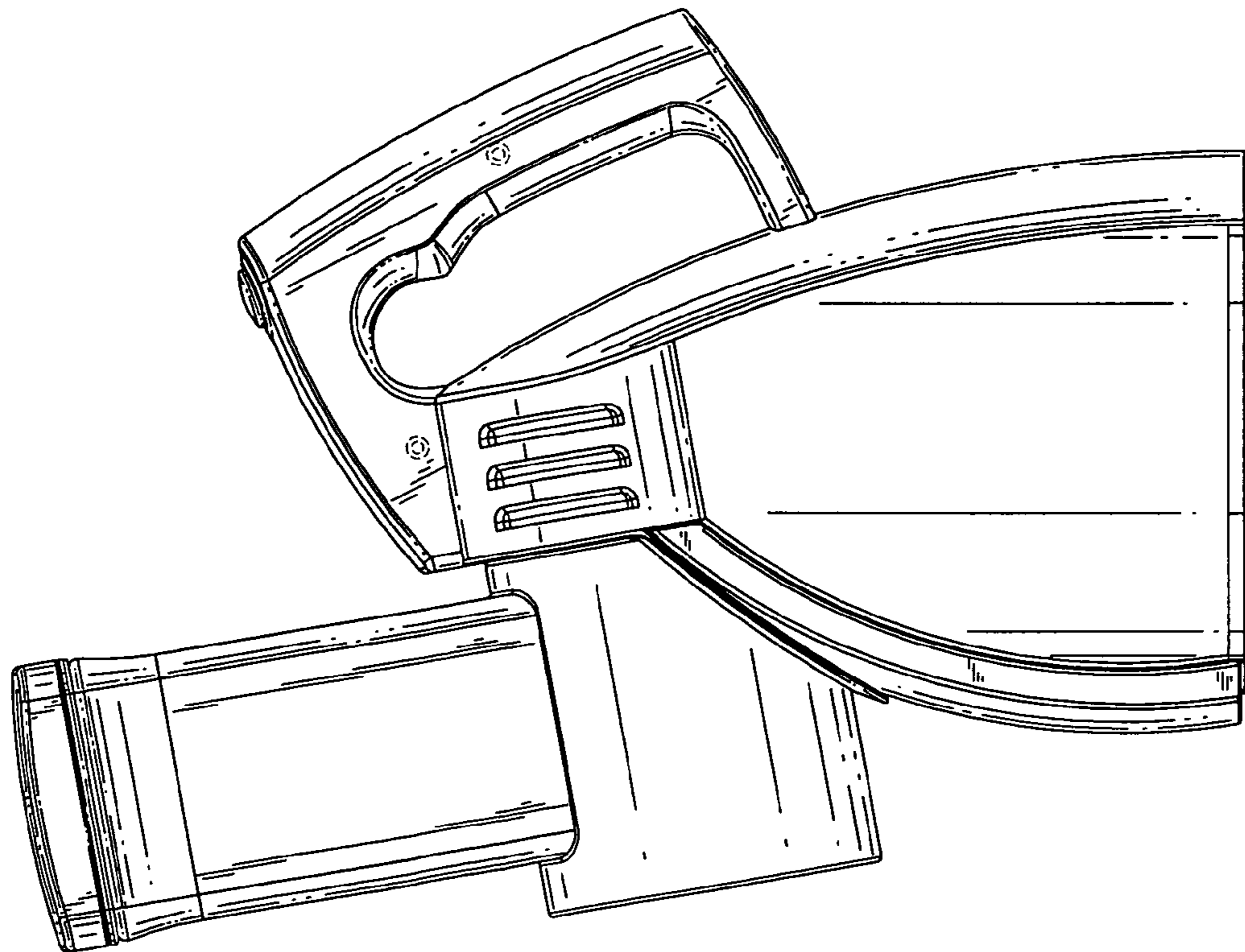


FIG. 2

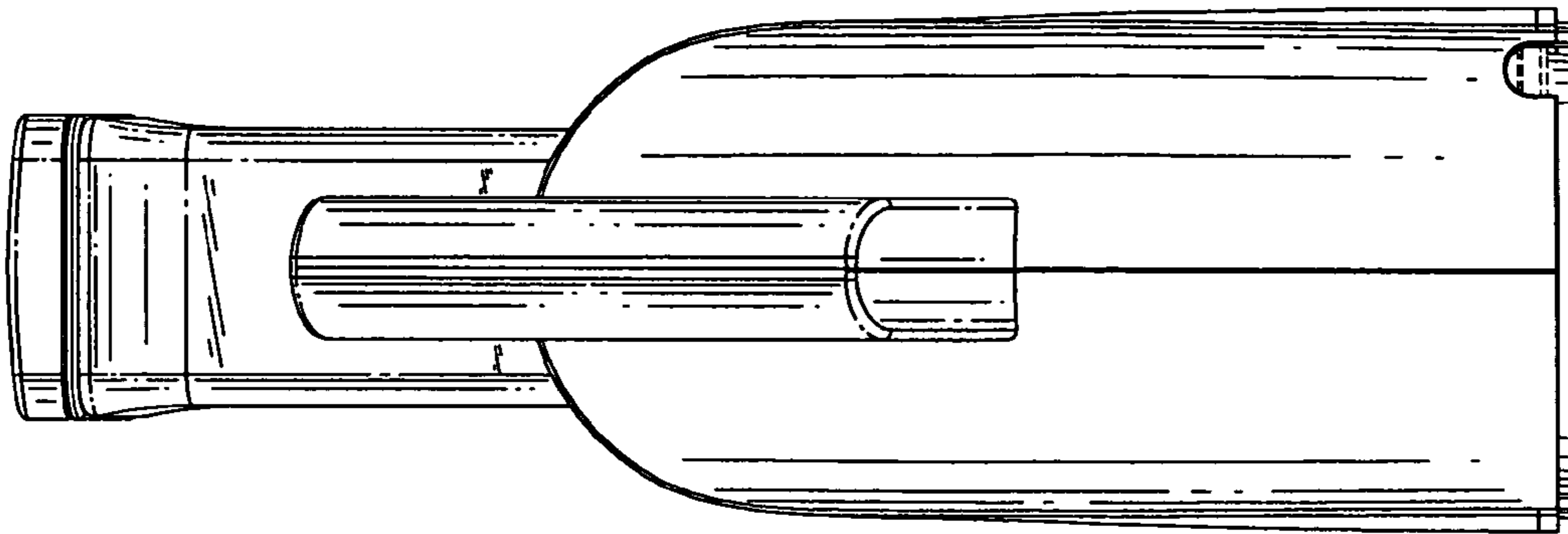


FIG. 5

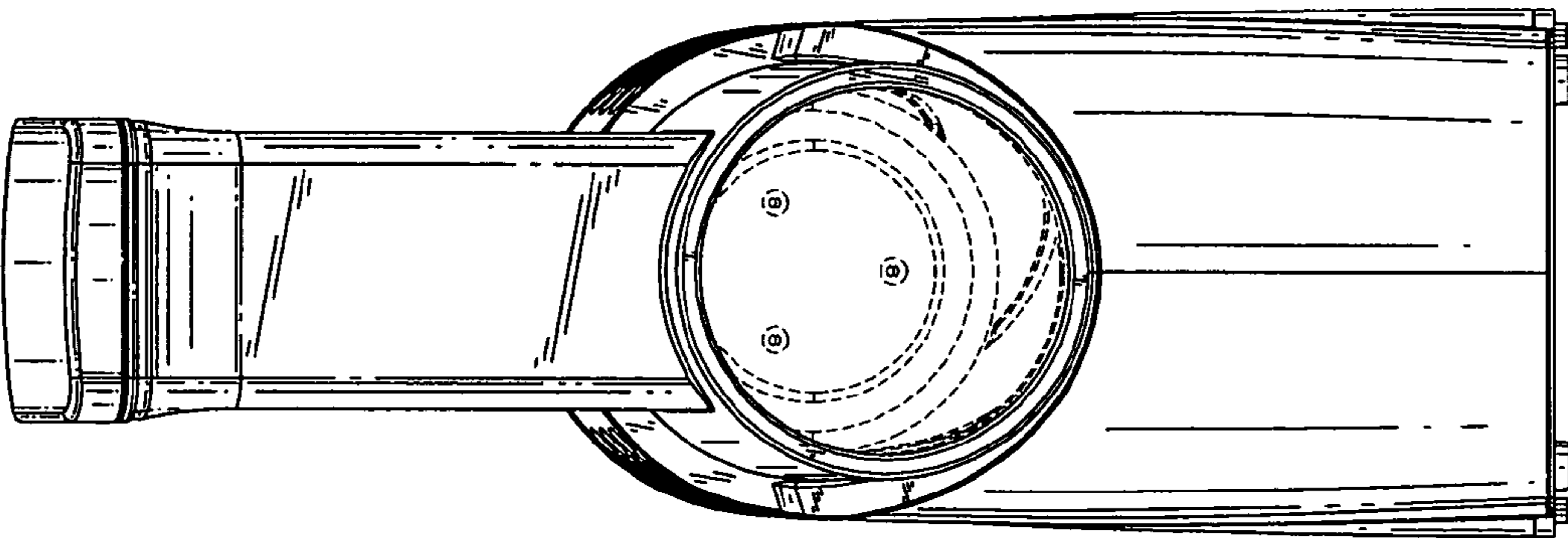


FIG. 4

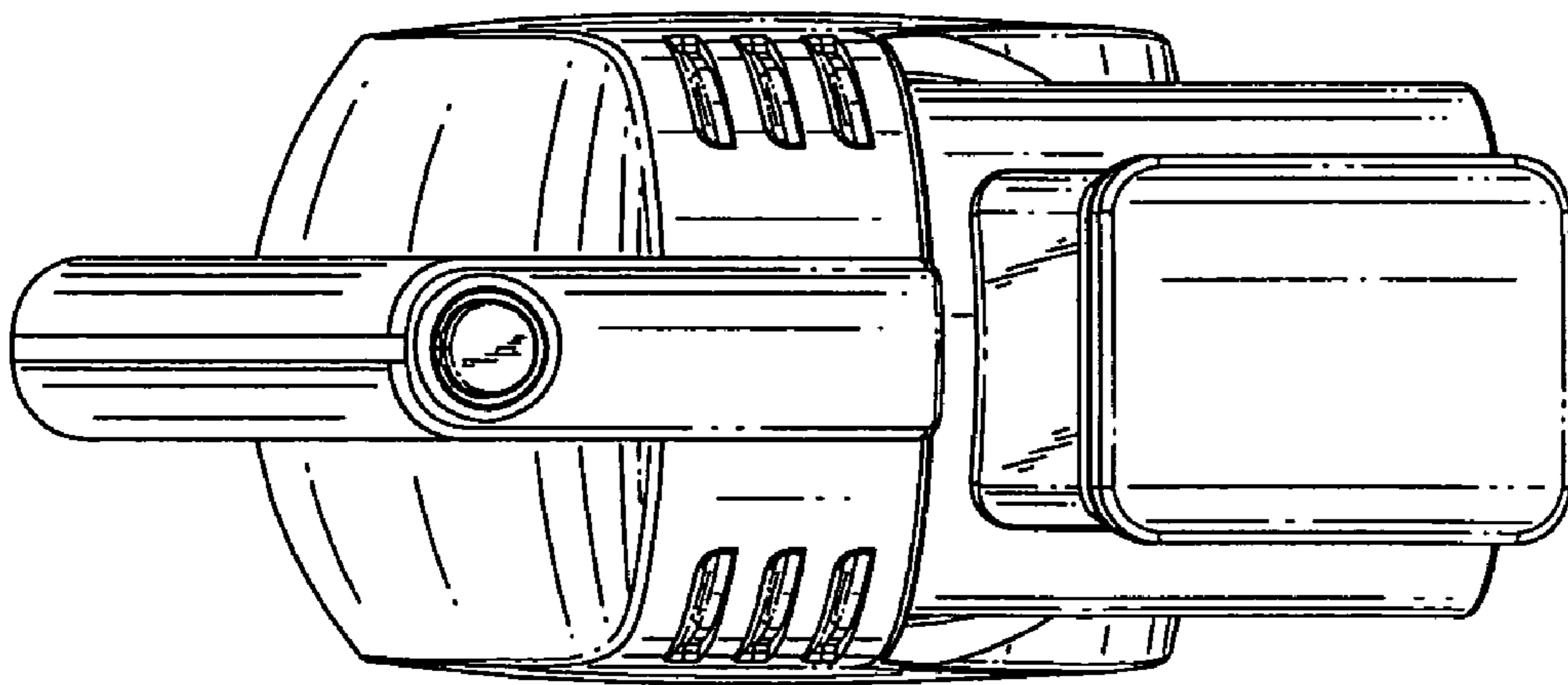


FIG. 6

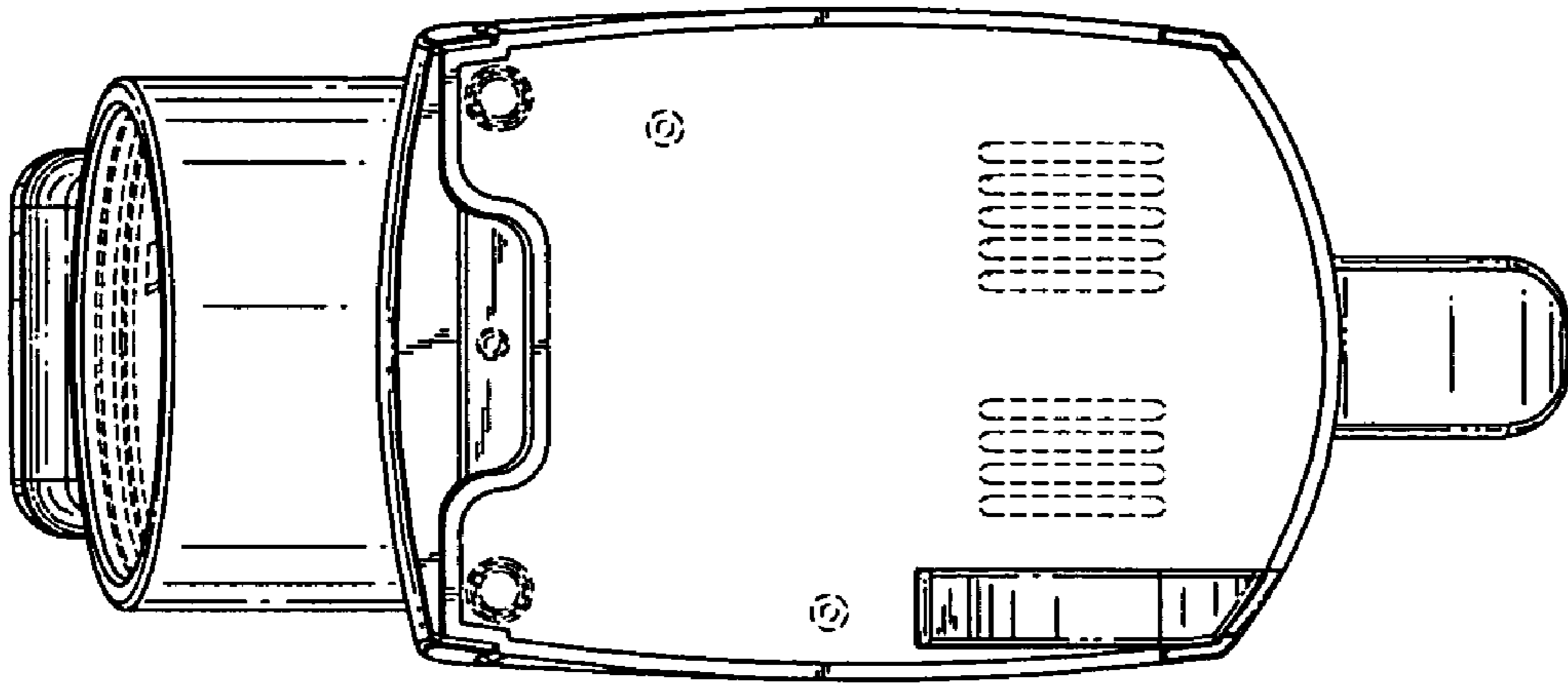


FIG. 7