



US00D553425S

(12) **United States Design Patent** (10) **Patent No.:** **US D553,425 S**
Steiner et al. (45) **Date of Patent:** **** Oct. 23, 2007**

(54) **BLENDER**

(75) Inventors: **Mark C. Steiner**, Midlothian, VA (US);
Adam Hanes, Glen Allen, VA (US)

(73) Assignee: **Hamilton Beach/Proctor-Silex, Inc.**,
Glen Allen, VA (US)

(**) Term: **14 Years**

(21) Appl. No.: **29/250,062**

(22) Filed: **Oct. 31, 2006**

(51) **LOC (8) Cl.** **31-00**

(52) **U.S. Cl.** **D7/378**

(58) **Field of Classification Search** D7/300.1,
D7/306, 313, 372-386, 412, 413, 665; D14/413;
74/16; 99/509-511; 241/30, 33, 37.5, 101.01-101.02,
241/166-169.1, 274-278.2, 282.1-282.2,
241/285.1-285.3, 291, 292.1, 301; 366/64-67,
366/98, 100, 129, 191, 197-201, 205-207,
366/219-221, 241-254, 279-292, 325.94-330.4,
366/341-343

See application file for complete search history.

(56) **References Cited**

U.S. PATENT DOCUMENTS

2,284,155	A	5/1942	Landgraf	
D176,257	S	* 12/1955	Hill	D7/386
D181,541	S	* 11/1957	Madl	D7/378
2,940,738	A	6/1960	Pasener et al.	
D199,888	S	* 12/1964	Dewenter	D7/378
D213,938	S	4/1969	Morris	
D242,208	S	11/1976	Madl et al.	
5,273,358	A	12/1993	Byrne et al.	
D373,504	S	* 9/1996	Leverrier	D7/378
D386,941	S	12/1997	Barker	
D394,986	S	6/1998	Lallemant	

D400,048	S	10/1998	Ollson	
D400,757	S	11/1998	Hippen et al.	
D403,202	S	* 12/1998	Cousins	D7/378
D415,384	S	10/1999	Littmann	
D417,581	S	12/1999	Barthelemy et al.	
D421,362	S	3/2000	Arcidiacono et al.	
6,069,423	A	5/2000	Miller et al.	
6,193,407	B1	2/2001	Kubicz	
D439,797	S	* 4/2001	Planca et al.	D7/378
D444,344	S	7/2001	Barthelemy et al.	
D445,635	S	* 7/2001	Gort-Barten	D7/378

(Continued)

Primary Examiner—Cathron C. Brooks

Assistant Examiner—Ricky Pham

(74) *Attorney, Agent, or Firm*—Akin Gump Strauss Hauer & Feld LLP

(57) **CLAIM**

The ornamental design for a blender, as shown and described.

DESCRIPTION

FIG. 1 is a top perspective view of a blender in accordance with our new design;

FIG. 2 is a front elevation view thereof;

FIG. 3 a top plan view thereof;

FIG. 4 is a left-side elevation view thereof;

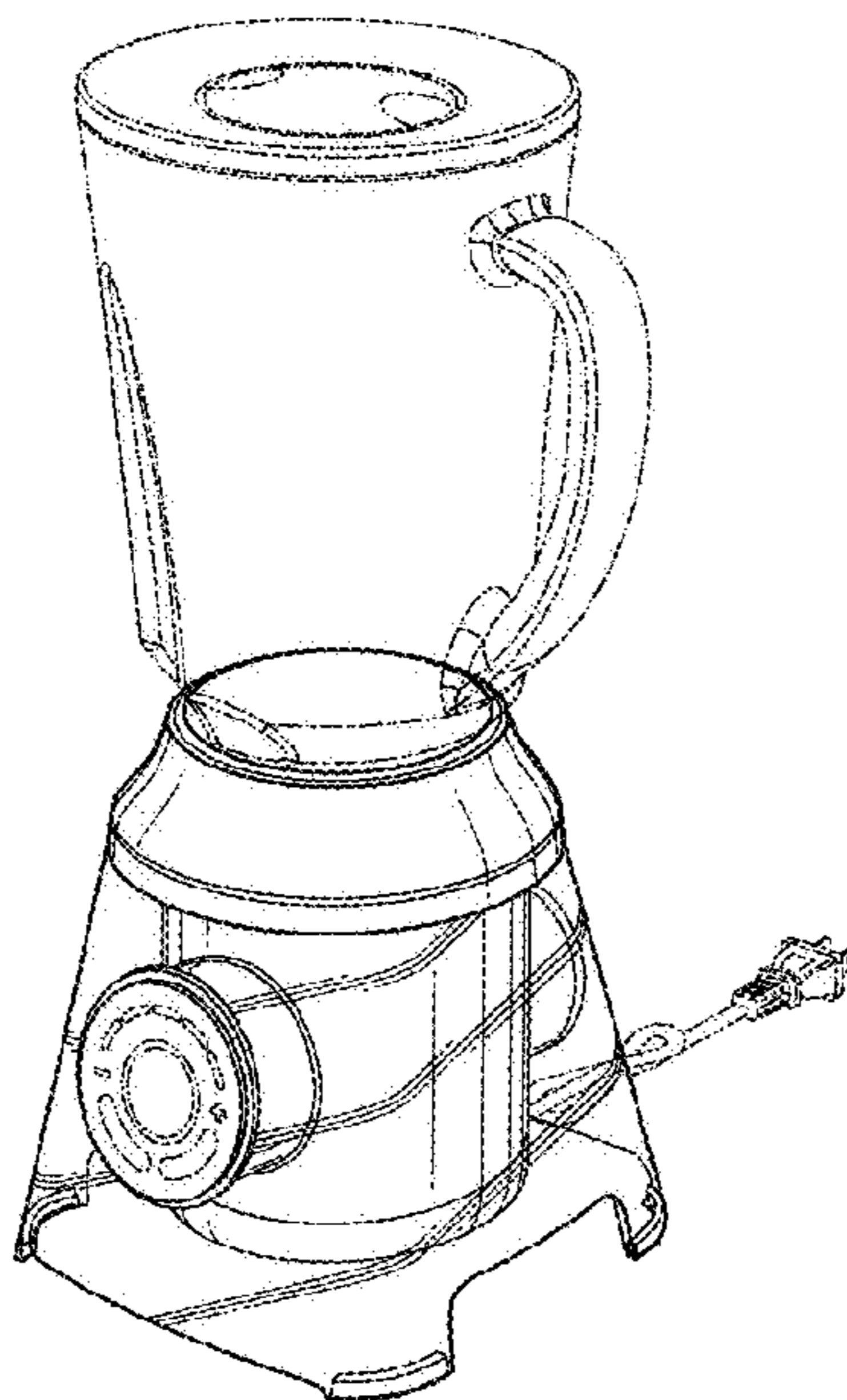
FIG. 5 is a right-side elevation view thereof;

FIG. 6 is a rear elevation view thereof; and,

FIG. 7 is a bottom plan view thereof.

The broken lines in the figures are for illustrative purposes only and form no part of the claimed design.

1 Claim, 7 Drawing Sheets



US D553,425 S

Page 2

U.S. PATENT DOCUMENTS

D448,967 S	10/2001	Planca et al.	D491,416 S	6/2004	Pascotti	
D466,362 S	12/2002	Moore	D499,602 S	12/2004	Feil	
6,499,873 B1	12/2002	Chen	D502,358 S	3/2005	Weaden	
D472,245 S	3/2003	Andre et al.	D507,149 S *	7/2005	Ball et al.	D7/386
6,534,970 B1	3/2003	Ely et al.	D510,238 S	10/2005	Yen	
D473,100 S	4/2003	Sakai et al.	6,966,690 B2	11/2005	Yen	
D473,749 S	4/2003	Pascotti	D512,265 S	12/2005	McCurrach	
6,595,113 B1	7/2003	Chang	D533,020 S *	12/2006	Kassenaar et al.	D7/378
D479,666 S	9/2003	Barker	2003/0095096 A1	5/2003	Robbin et al.	
D484,357 S	12/2003	Seum et al.	2005/0190644 A1	9/2005	Yen	
D489,051 S	4/2004	Shiraki et al.	2006/0007778 A1	1/2006	Tai	

* cited by examiner

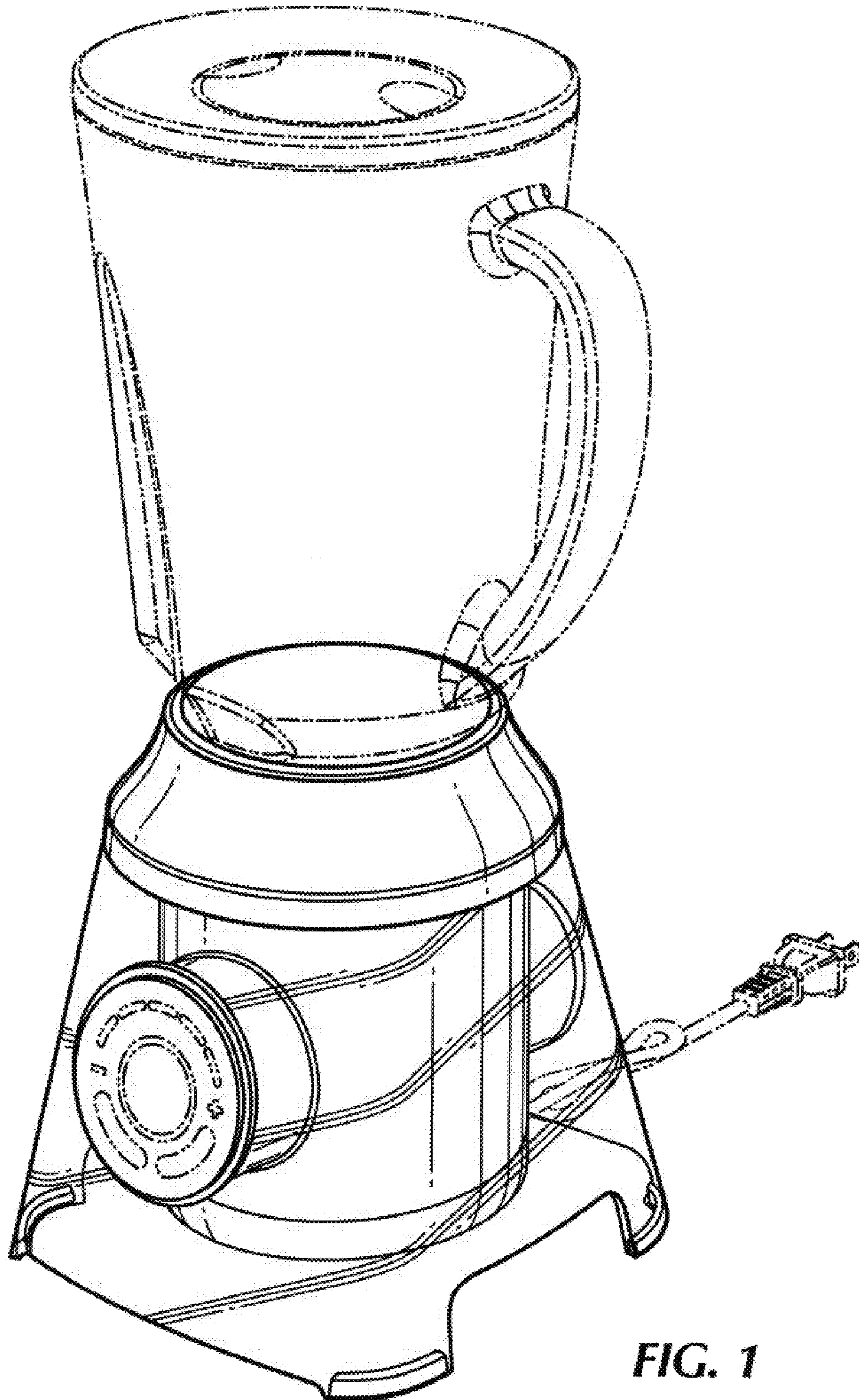


FIG. 1

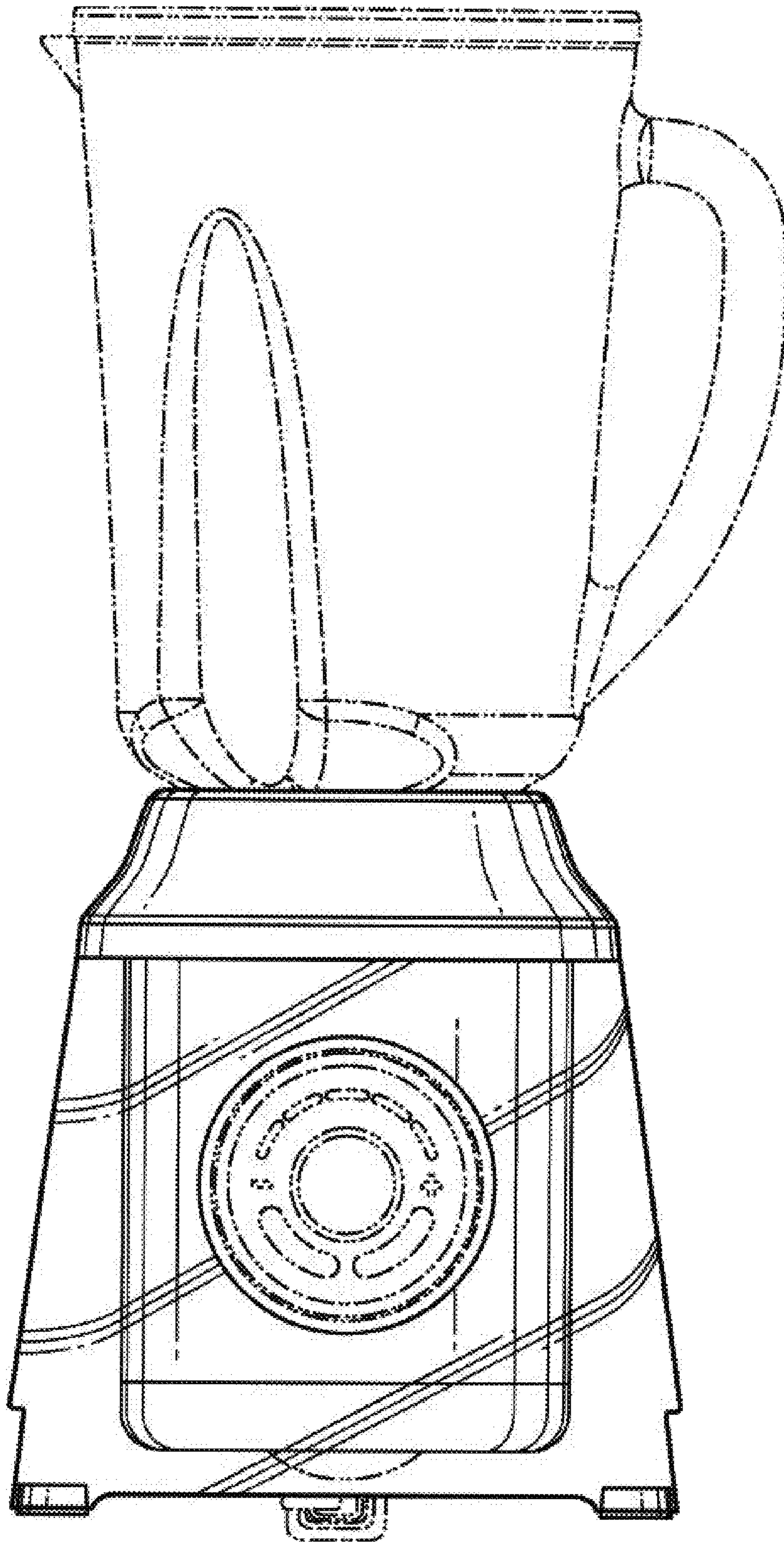


FIG. 2

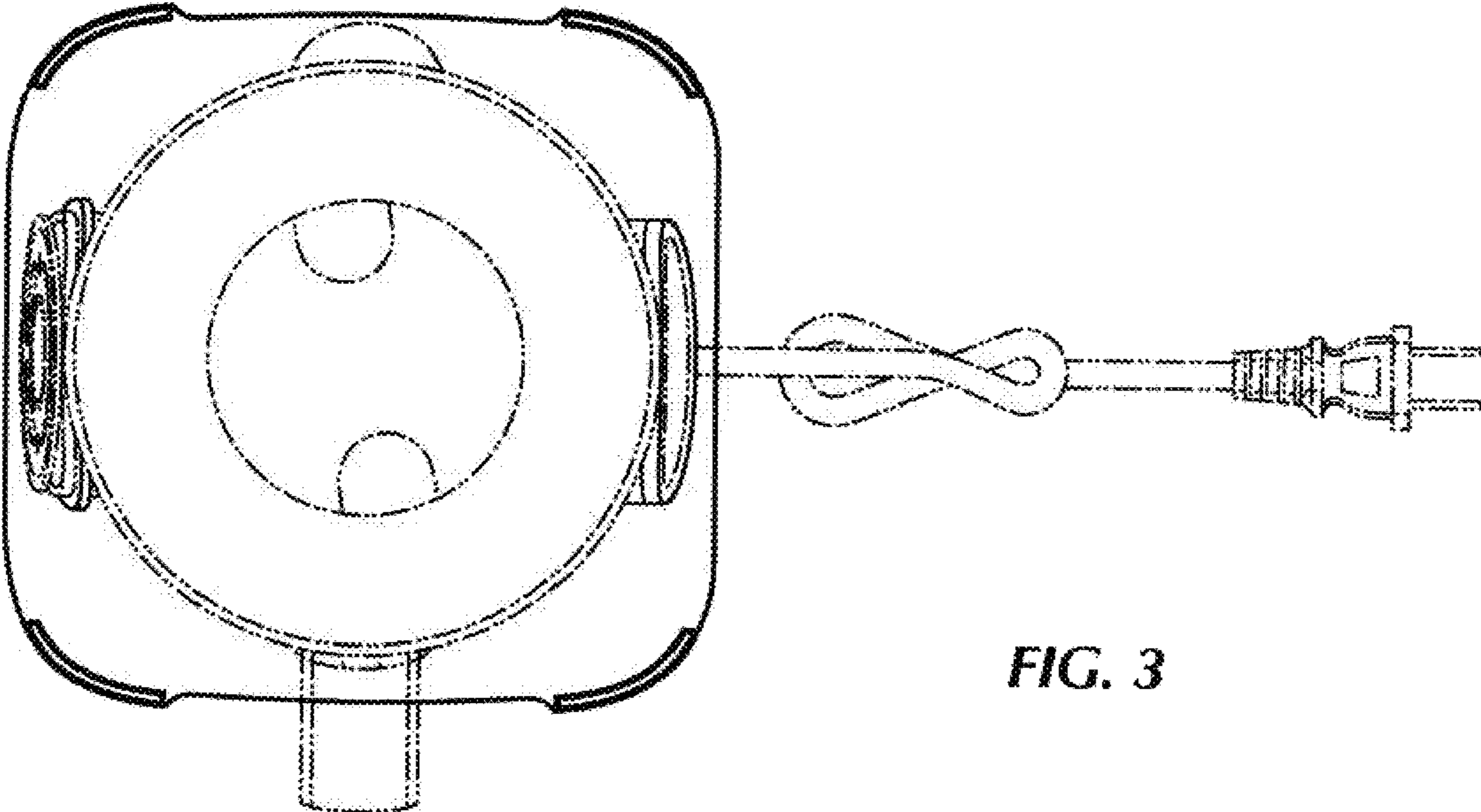


FIG. 3

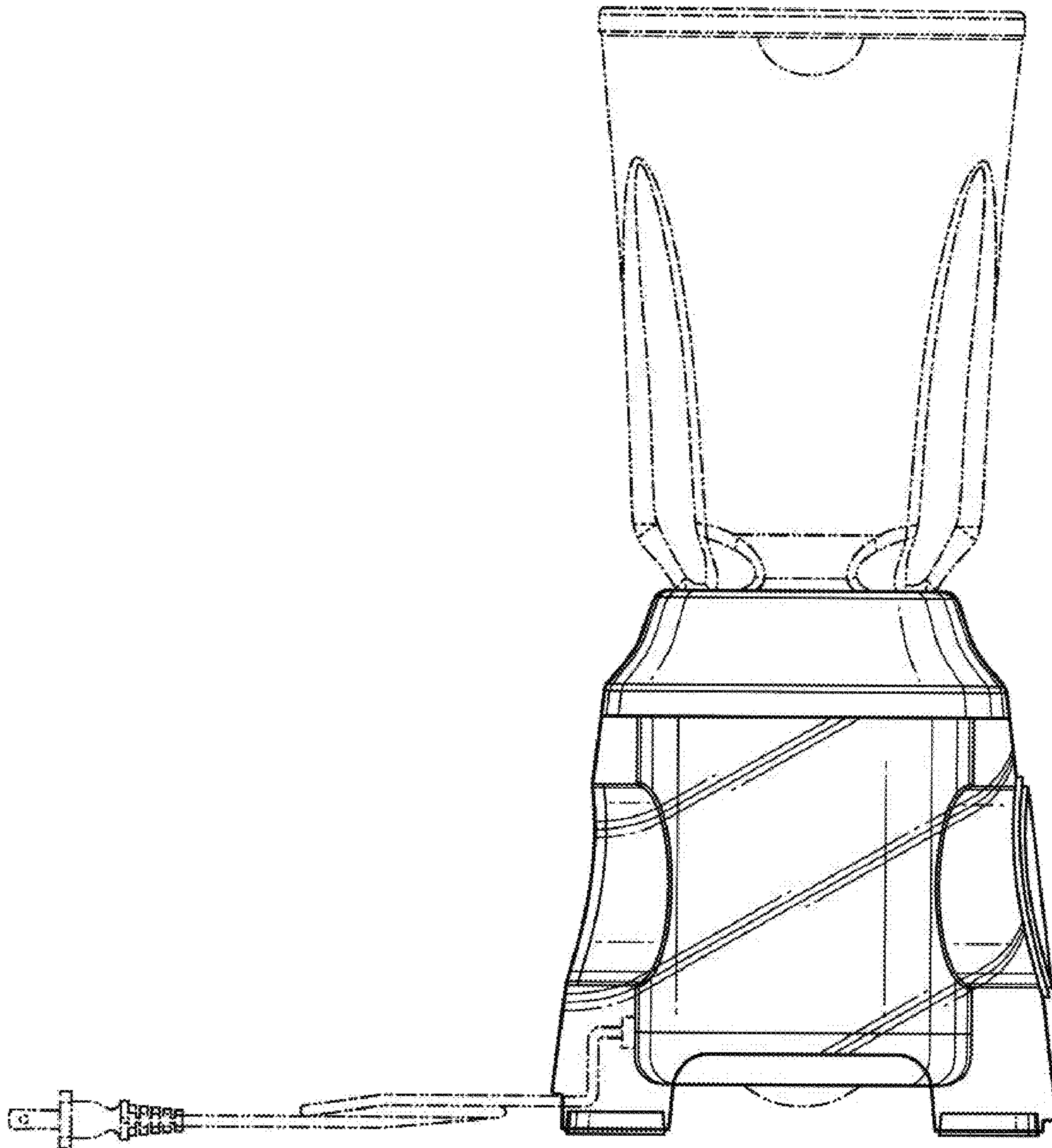


FIG. 4

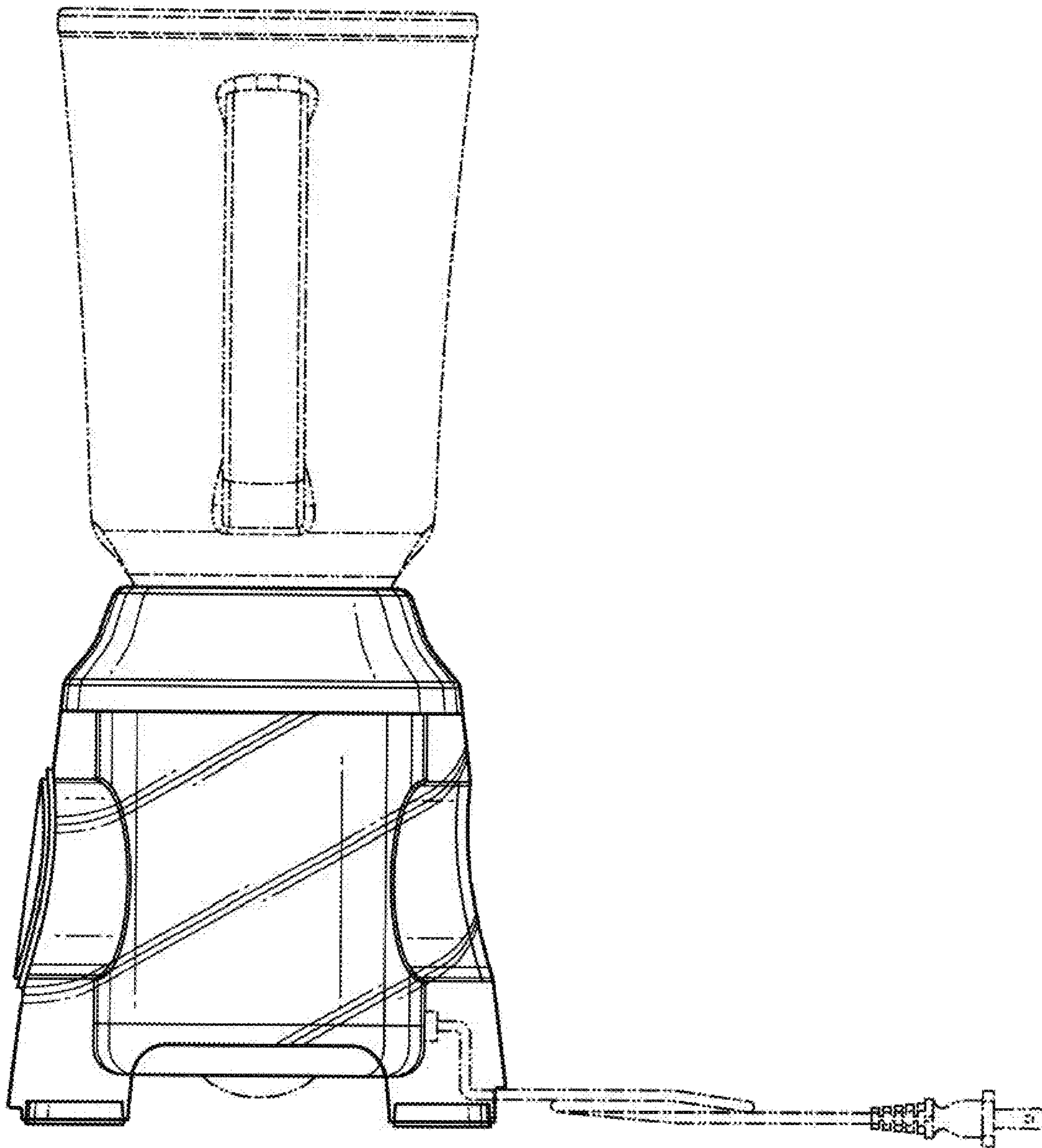


FIG. 5

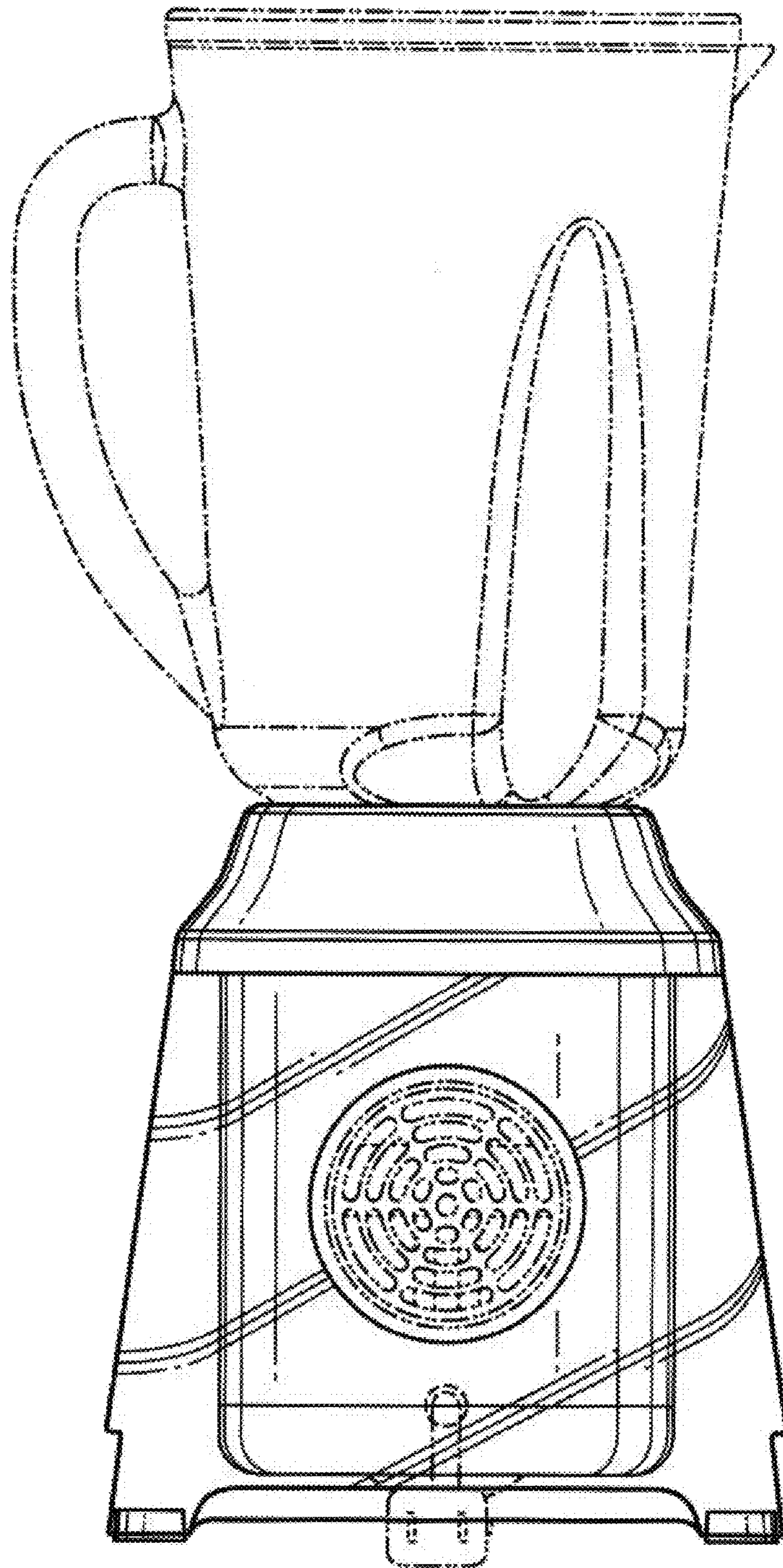


FIG. 6

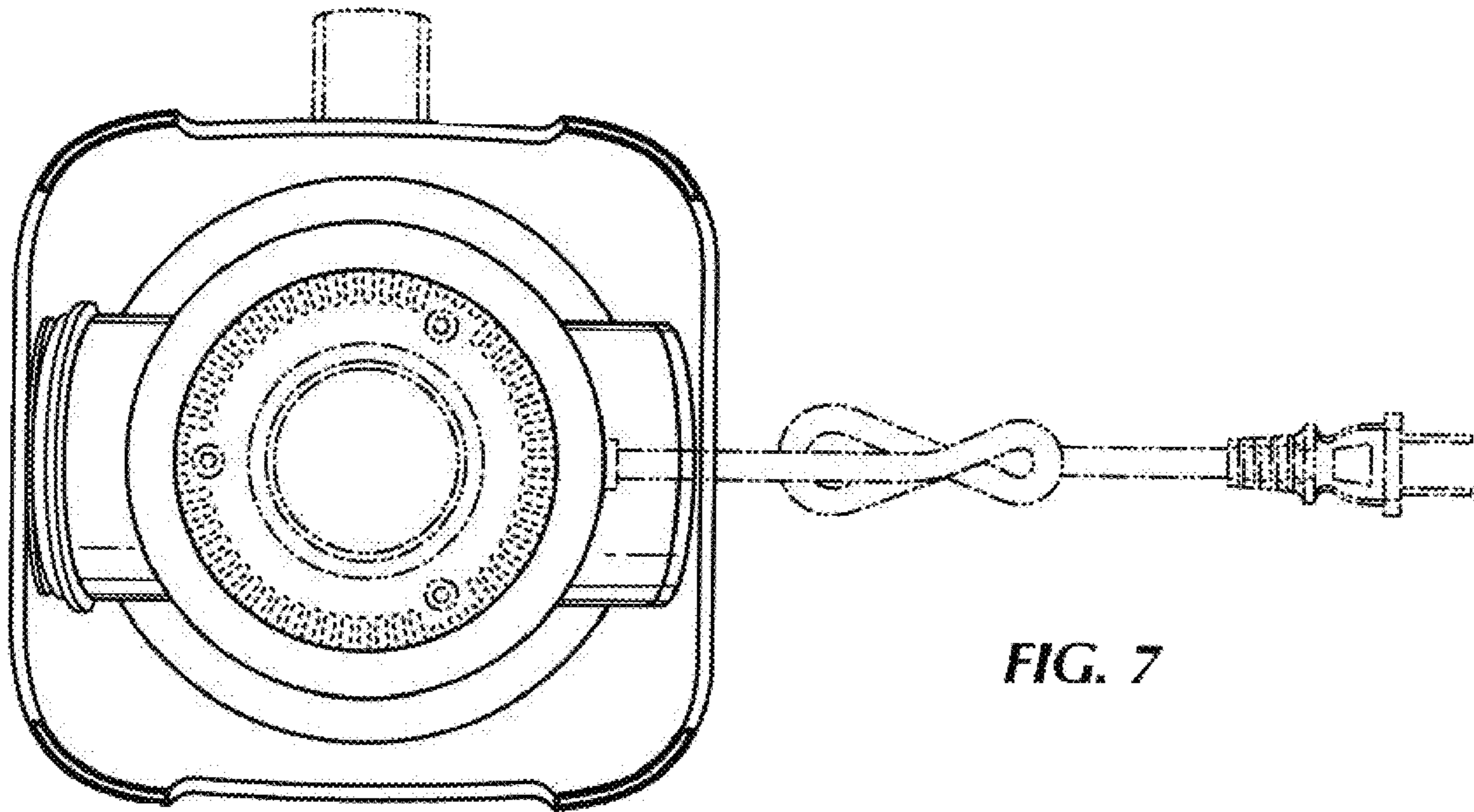


FIG. 7