



US00D553424S

(12) **United States Design Patent**  
**Lin**

(10) **Patent No.:** **US D553,424 S**

(45) **Date of Patent:** **\*\* Oct. 23, 2007**

(54) **TURKEY FRYER**

(75) Inventor: **Hsing-Chien Lin**, Taipei (TW)

(73) Assignee: **Test Rite International Company, Ltd.** (TW)

(\*\*) Term: **14 Years**

(21) Appl. No.: **29/277,972**

(22) Filed: **Mar. 15, 2007**

(51) **LOC (8) Cl.** ..... **07-02**

(52) **U.S. Cl.** ..... **D7/354**

(58) **Field of Classification Search** ..... D7/94,  
D7/323, 332, 354-361, 393-395, 402, 500,  
D7/538-548, 584-588; D8/107, 300, 307,  
D8/317; 16/110.1, 407, 430-431, 436, 441,  
16/444; 29/527.1-527.5; 99/339, 340, 347,  
99/403-418, 419-422, 425-426, 445, 481,  
99/482; 126/9 R, 41 R, 25 R, 30, 40, 369;  
220/377, 573.1-573.3, 752-753, 755-759,  
220/912

See application file for complete search history.

(56) **References Cited**

**U.S. PATENT DOCUMENTS**

522,399	A *	7/1894	Beveridge	126/369
D130,253	S *	11/1941	Pearce	D7/360
3,333,526	A *	8/1967	Kirkpatrick	99/347
D222,310	S *	10/1971	Zaubrecher	D7/332
D250,385	S *	11/1978	Babros et al.	D7/360
5,531,154	A *	7/1996	Perez, III	99/340
5,813,321	A *	9/1998	Bourgeois	99/340

5,896,810	A *	4/1999	Barbour	99/415
6,058,830	A *	5/2000	Bourgeois	99/340
6,314,869	B1 *	11/2001	Bourgeois, Jr.	99/340
D469,301	S *	1/2003	Ryan et al.	D7/360
D481,903	S *	11/2003	Hester	D7/332
D486,348	S *	2/2004	Zhu	D7/332

**OTHER PUBLICATIONS**

Frontgate Catalog, Summer 2002, p. 14, Outdoor Turkey Fryer Set.\*  
Bass Pro Shop Spring Fever Catalog, Fall 2001, back cover, 30-qt.  
Economy Turkey Fry Kit.\*

\* cited by examiner

*Primary Examiner*—Cathron C. Brooks

*Assistant Examiner*—Ricky Pham

(74) *Attorney, Agent, or Firm*—Venable, LLP; Raymond J. Ho

(57) **CLAIM**

The ornamental design for the turkey fryer, as shown.

**DESCRIPTION**

FIG. 1 is a perspective view of a turkey fryer showing my new design.

FIG. 2 is a front view thereof;

FIG. 3 is a rear view thereof

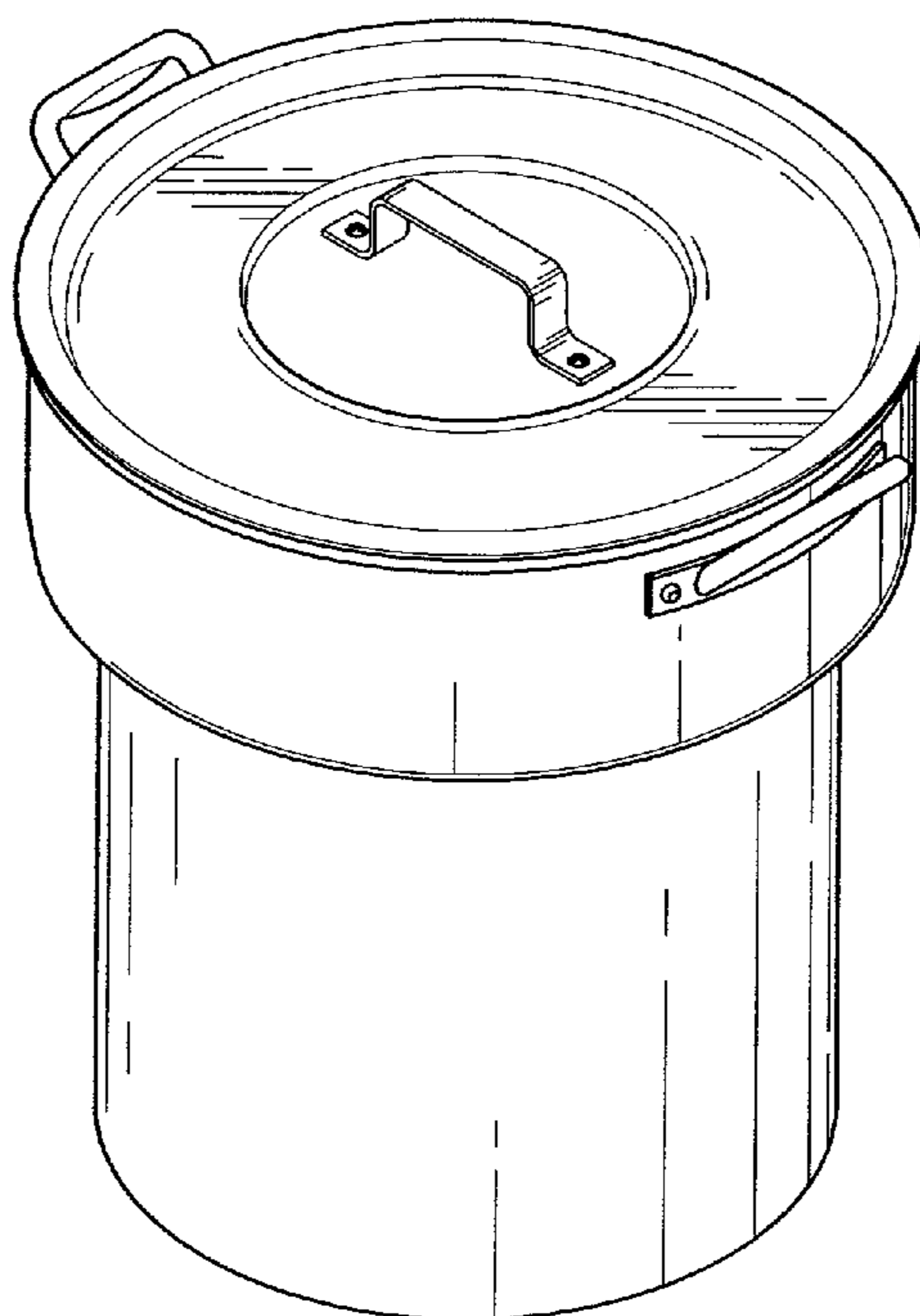
FIG. 4 is a left side view thereof;

FIG. 5 is a right side view thereof;

FIG. 6 is a top plan view thereof; and,

FIG. 7 is a bottom plan view thereof.

**1 Claim, 6 Drawing Sheets**



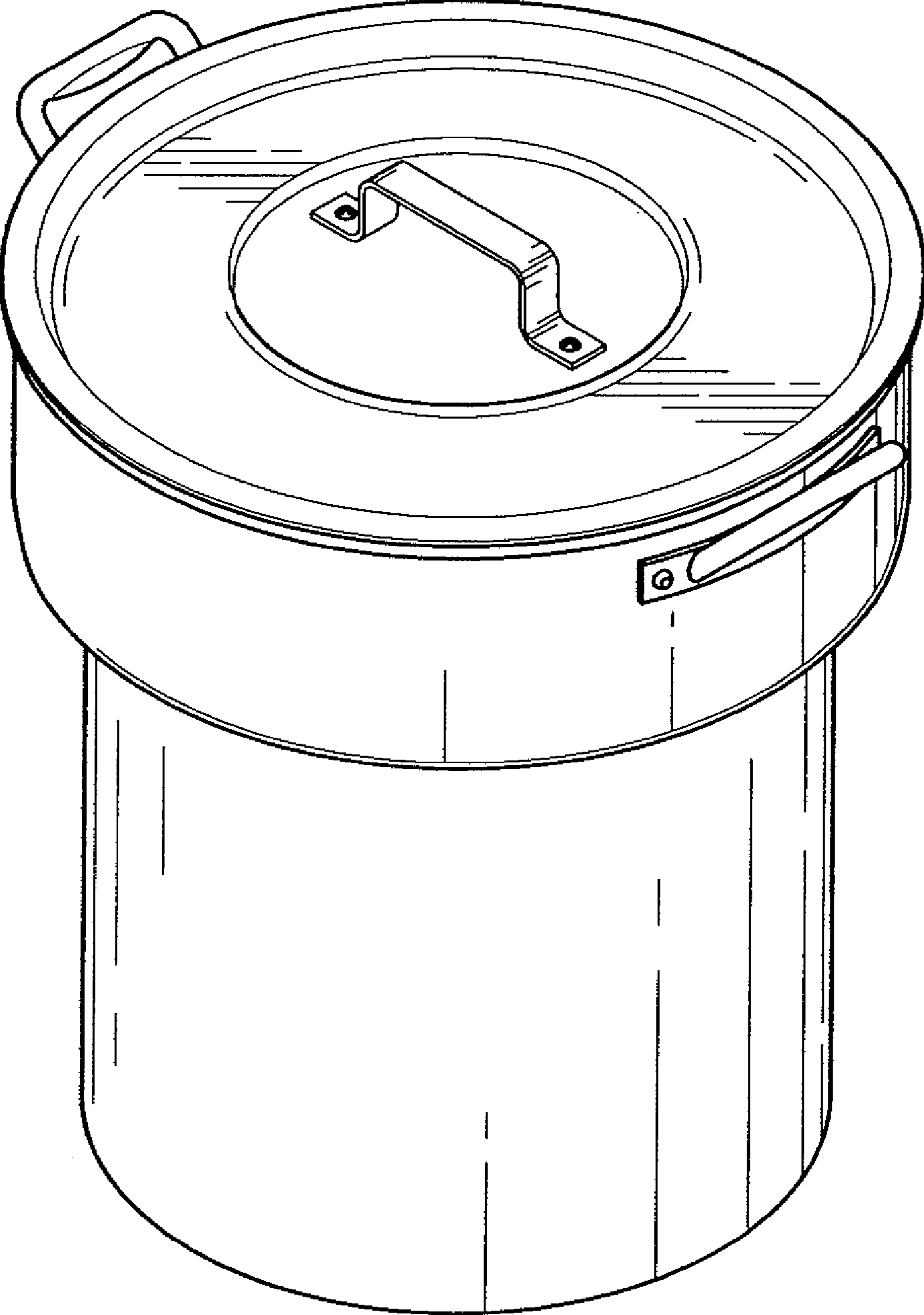


Fig. 1

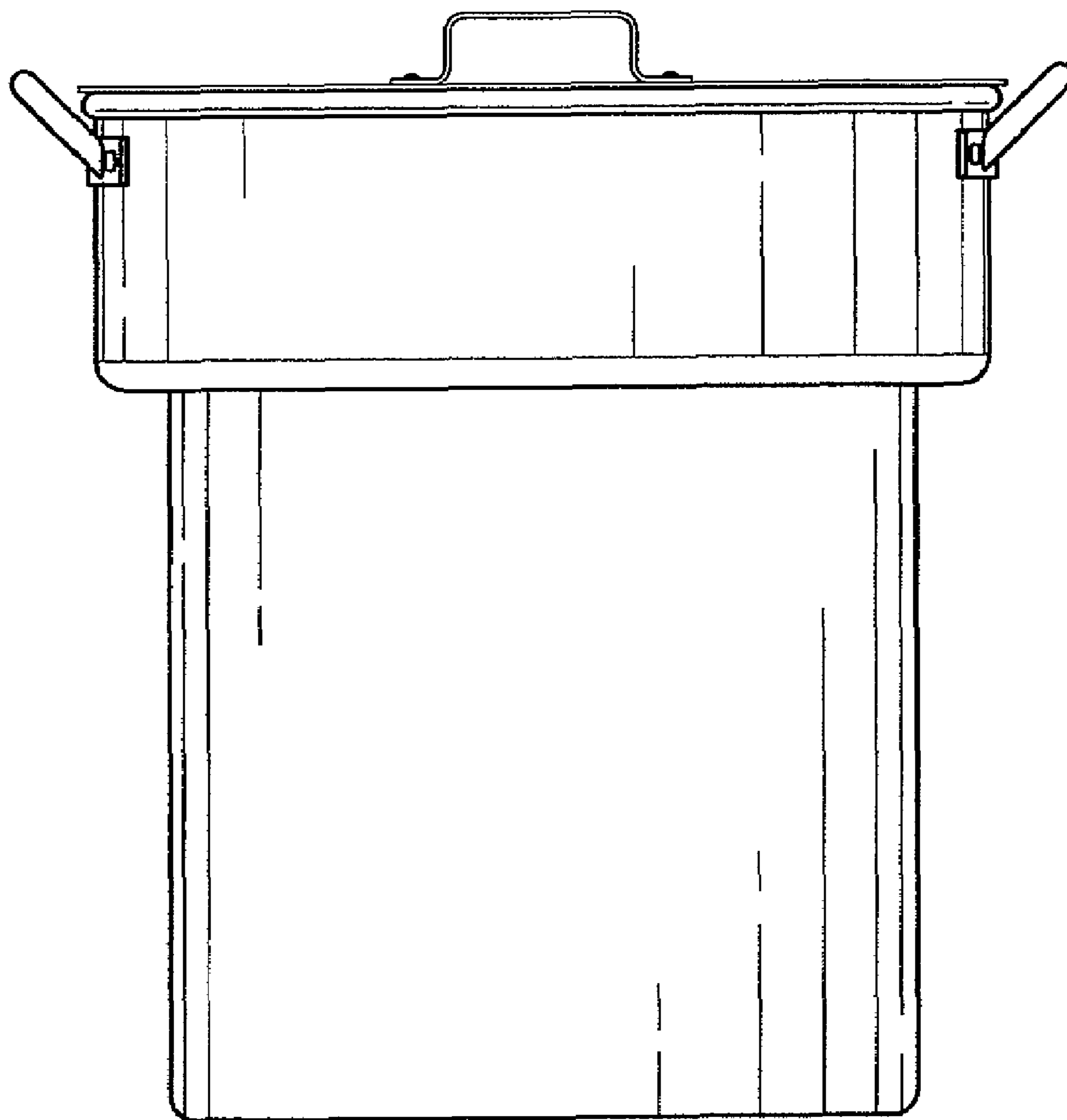


Fig. 2

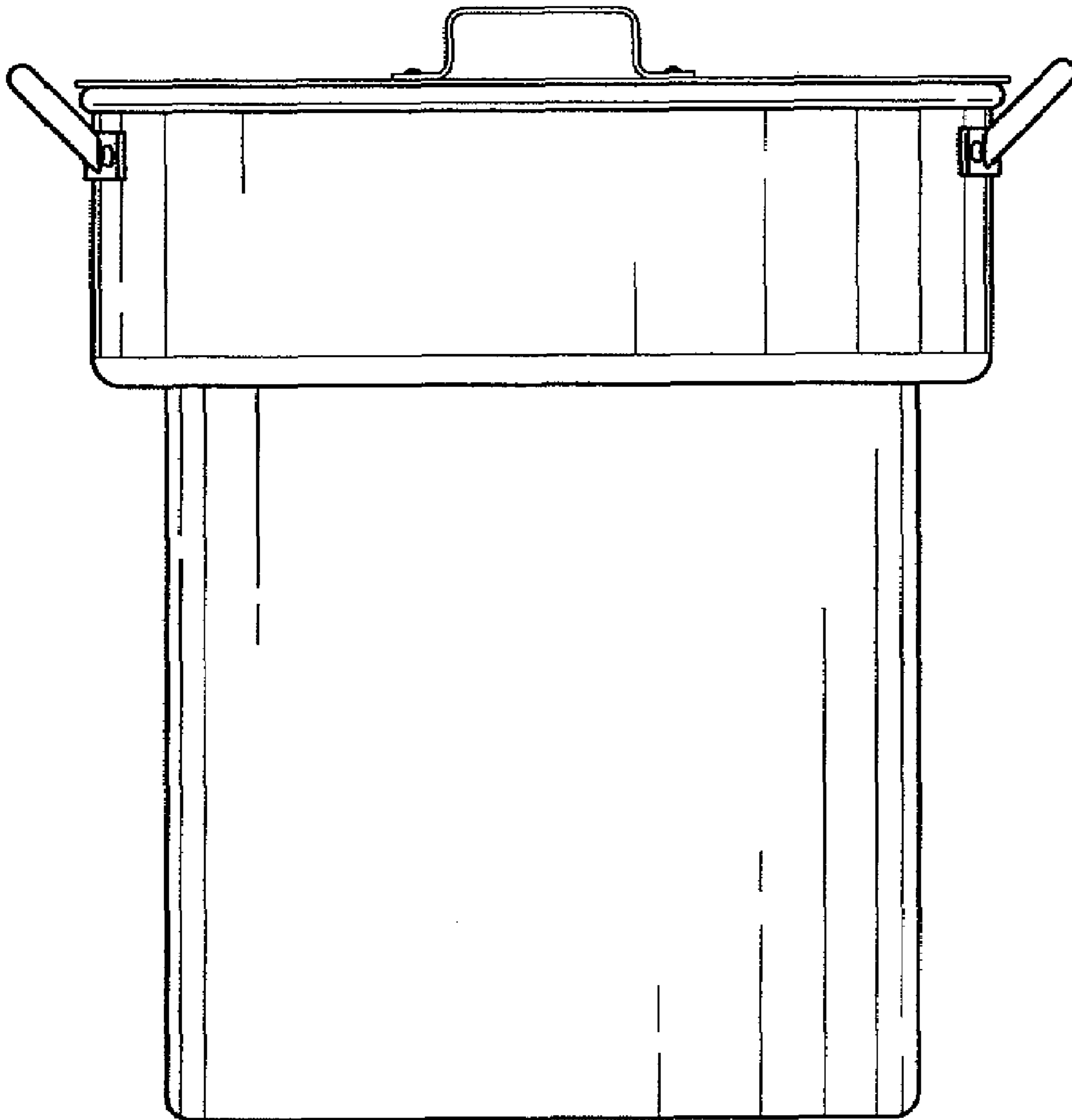


Fig. 3

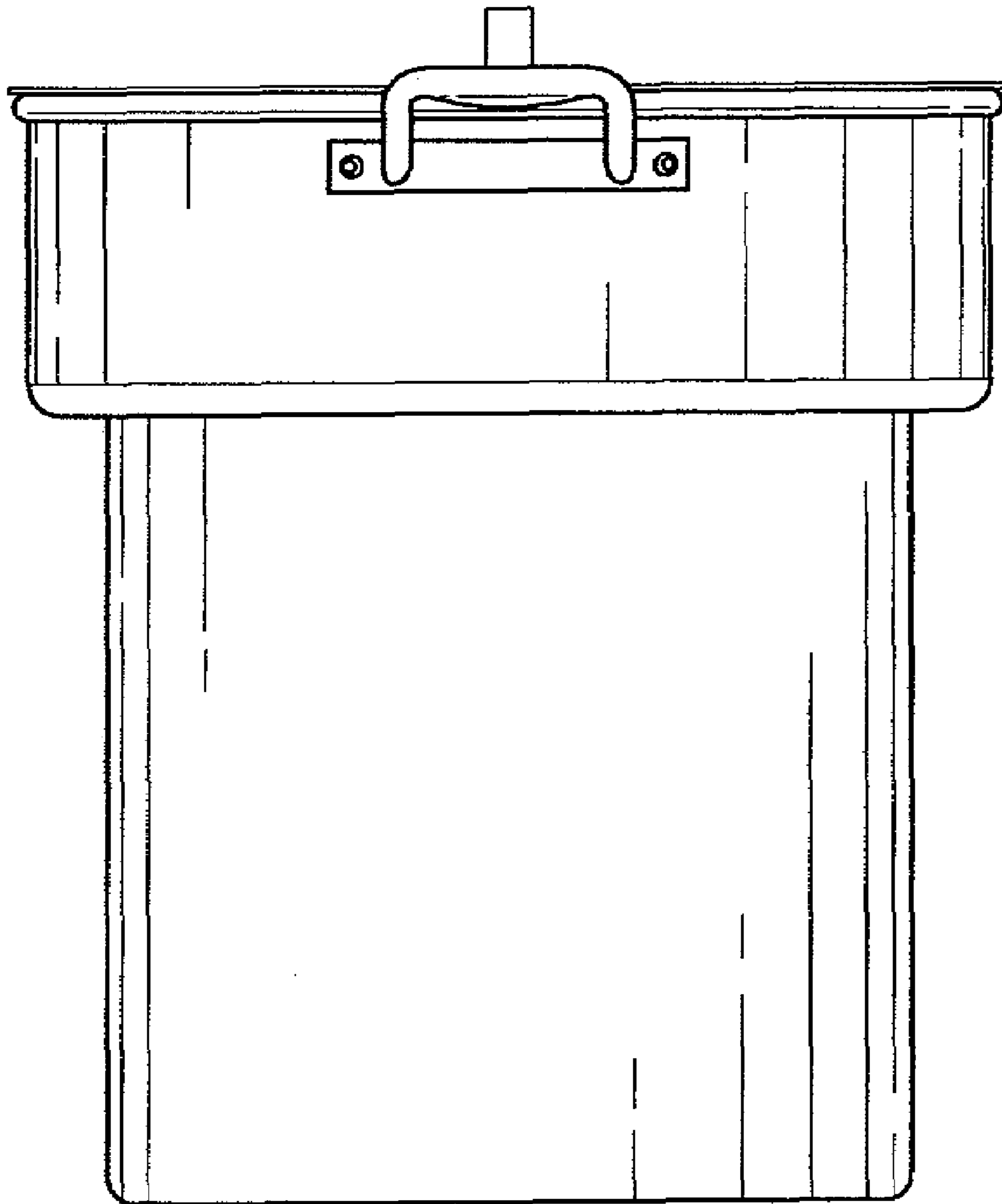


Fig. 4

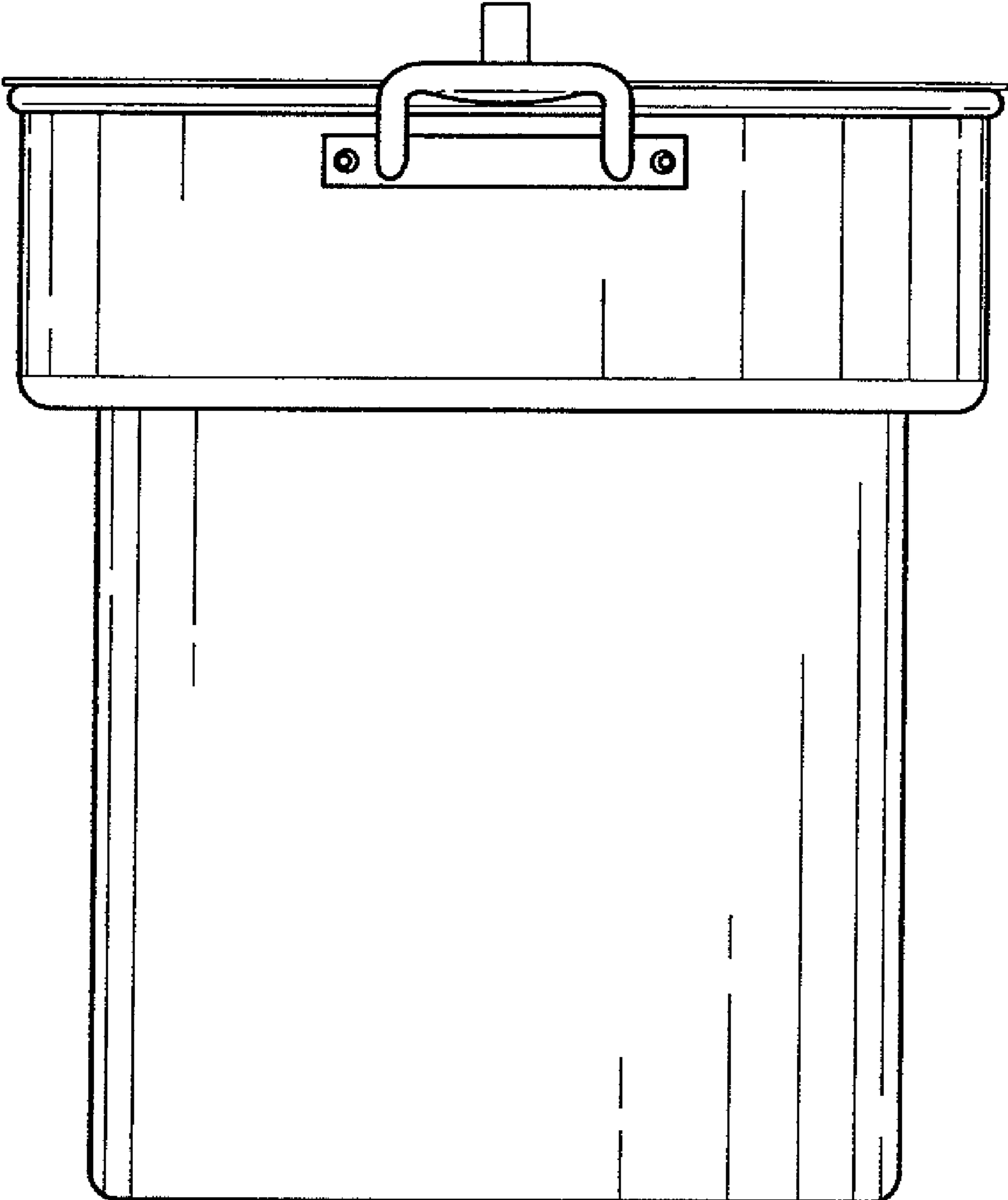


Fig. 5

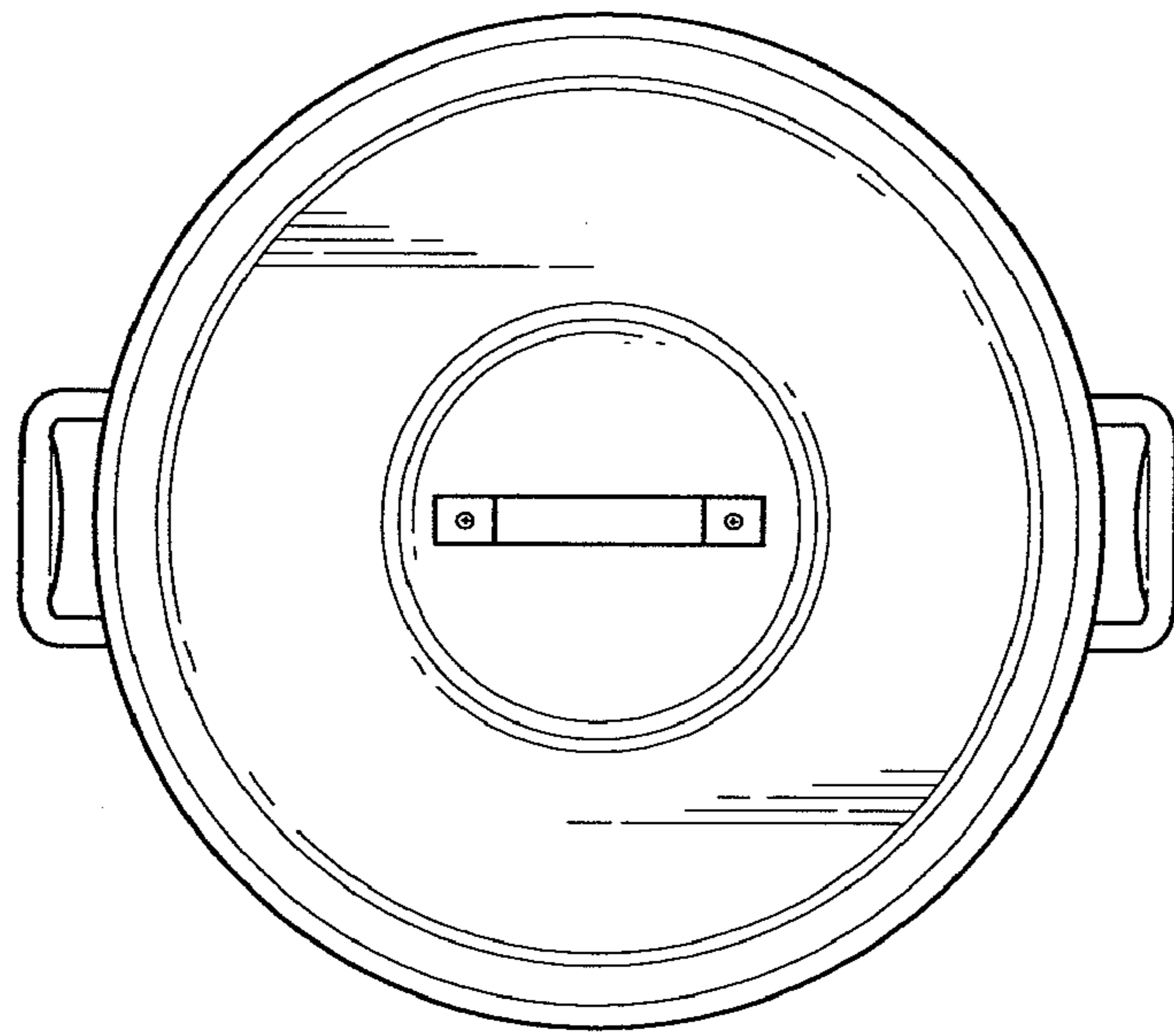


Fig. 6

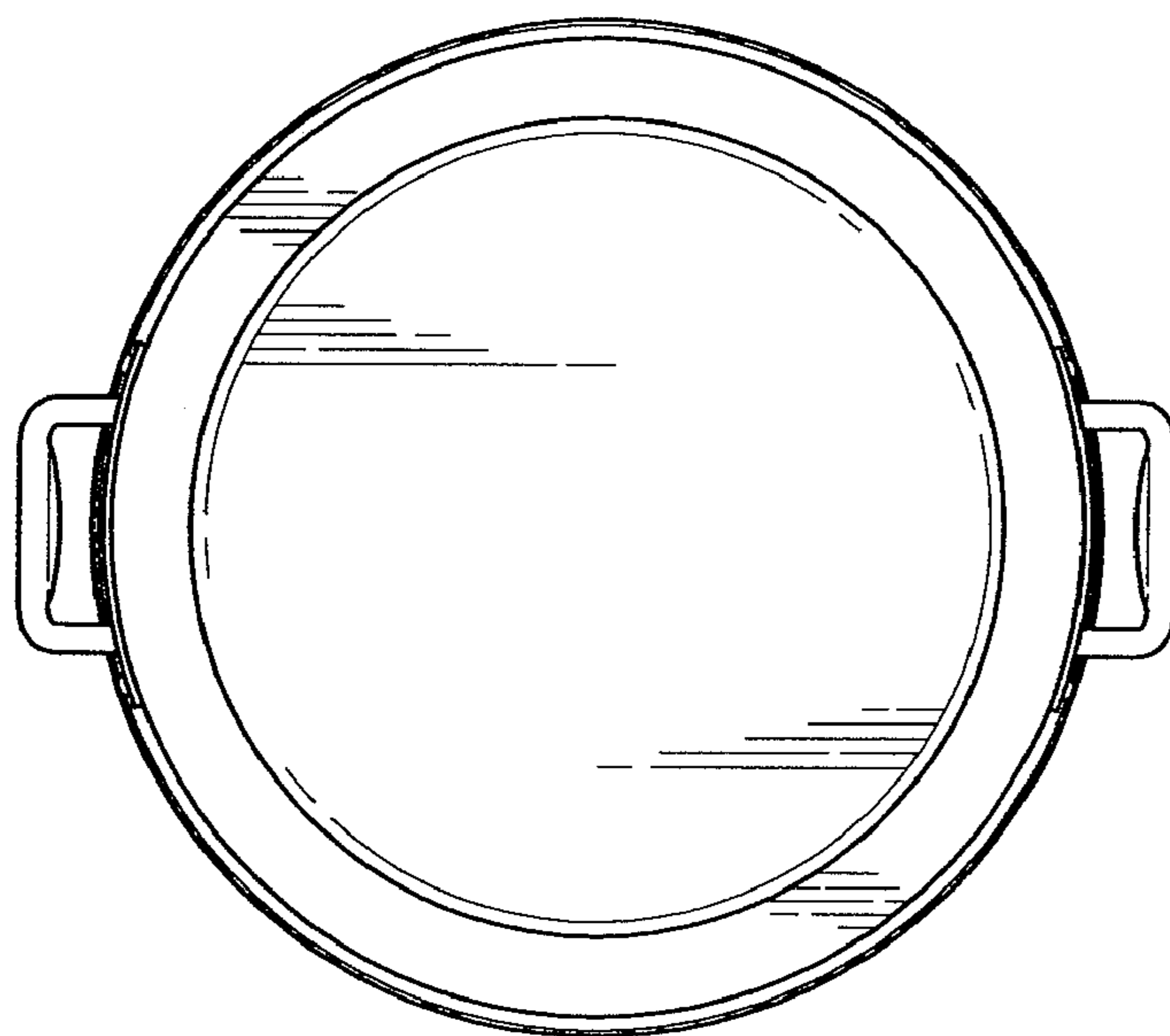


Fig. 7