



US00D553423S

(12) **United States Design Patent**
Lam

(10) **Patent No.:** **US D553,423 S**

(45) **Date of Patent:** **** Oct. 23, 2007**

(54) **MULTI-PURPOSE GRILL**

(75) **Inventor:** **Hoi Tak Raymond Lam**, Kowloon (CN)

(73) **Assignee:** **South Asia International (HK) Ltd.**, Kowloon, Hong Kong (CN)

(**) **Term:** **14 Years**

(21) **Appl. No.:** **29/272,736**

(22) **Filed:** **Feb. 12, 2007**

(51) **LOC (8) Cl.** **07-02**

(52) **U.S. Cl.** **D7/352**

(58) **Field of Classification Search** D7/323, D7/328-332, 334-339, 352-363; 99/219, 99/331, 339, 349, 369, 372-375, 385, 386, 99/389, 425, 444, 446, 466, 601, 618, 620; 219/524, 525, 620-622, 732-734; D21/525
See application file for complete search history.

(56) **References Cited**

U.S. PATENT DOCUMENTS

- D342,417 S * 12/1993 McClean D7/352
- D346,304 S * 4/1994 Naft et al. D7/352
- D409,876 S * 5/1999 Gruaz D7/352
- D413,759 S * 9/1999 Carrere D7/352
- D446,679 S * 8/2001 Lin D7/352
- D462,229 S * 9/2002 Wu D7/352

- D462,230 S * 9/2002 Wu D7/352
- D462,566 S * 9/2002 Wu D7/352
- D473,417 S * 4/2003 Martres D7/352
- D532,646 S * 11/2006 Moore D7/352

* cited by examiner

Primary Examiner—Cathron C. Brooks

Assistant Examiner—Ricky Pham

(74) *Attorney, Agent, or Firm*—Alix, Yale & Ristas, LLP

(57) **CLAIM**

The ornamental design for a multi-purpose grill, as shown and described.

DESCRIPTION

FIG. 1 is a perspective view of the multi-purpose grill showing my new design;

FIG. 2 is a front view thereof;

FIG. 3 is a rear view thereof;

FIG. 4 is a right side view thereof;

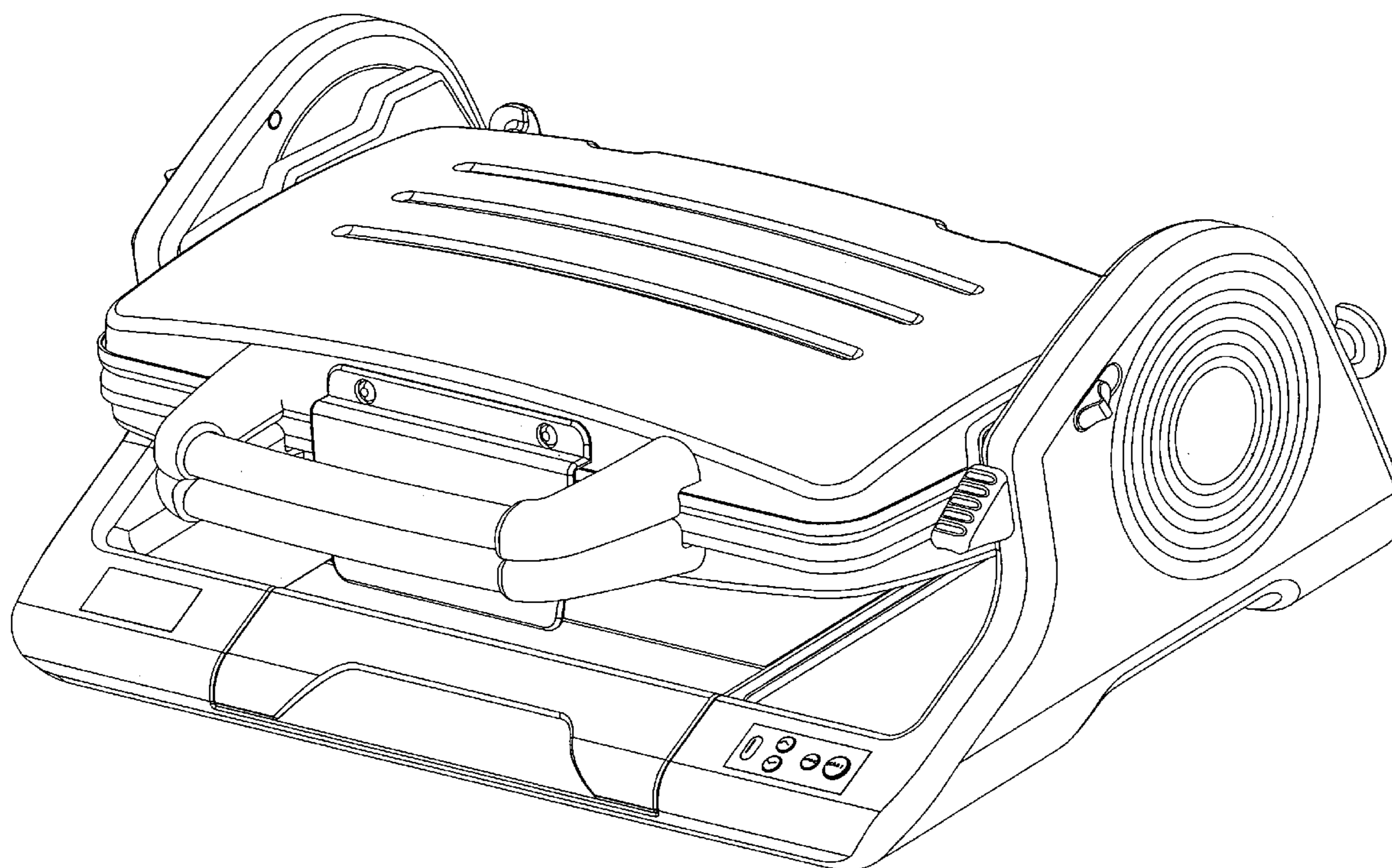
FIG. 5 is a left side view thereof;

FIG. 6 is a top plan view thereof; and,

FIG. 7 is a bottom plan view thereof.

The broken lines shown in the drawings are for illustrative purposes only and form no part of the claimed design.

1 Claim, 7 Drawing Sheets



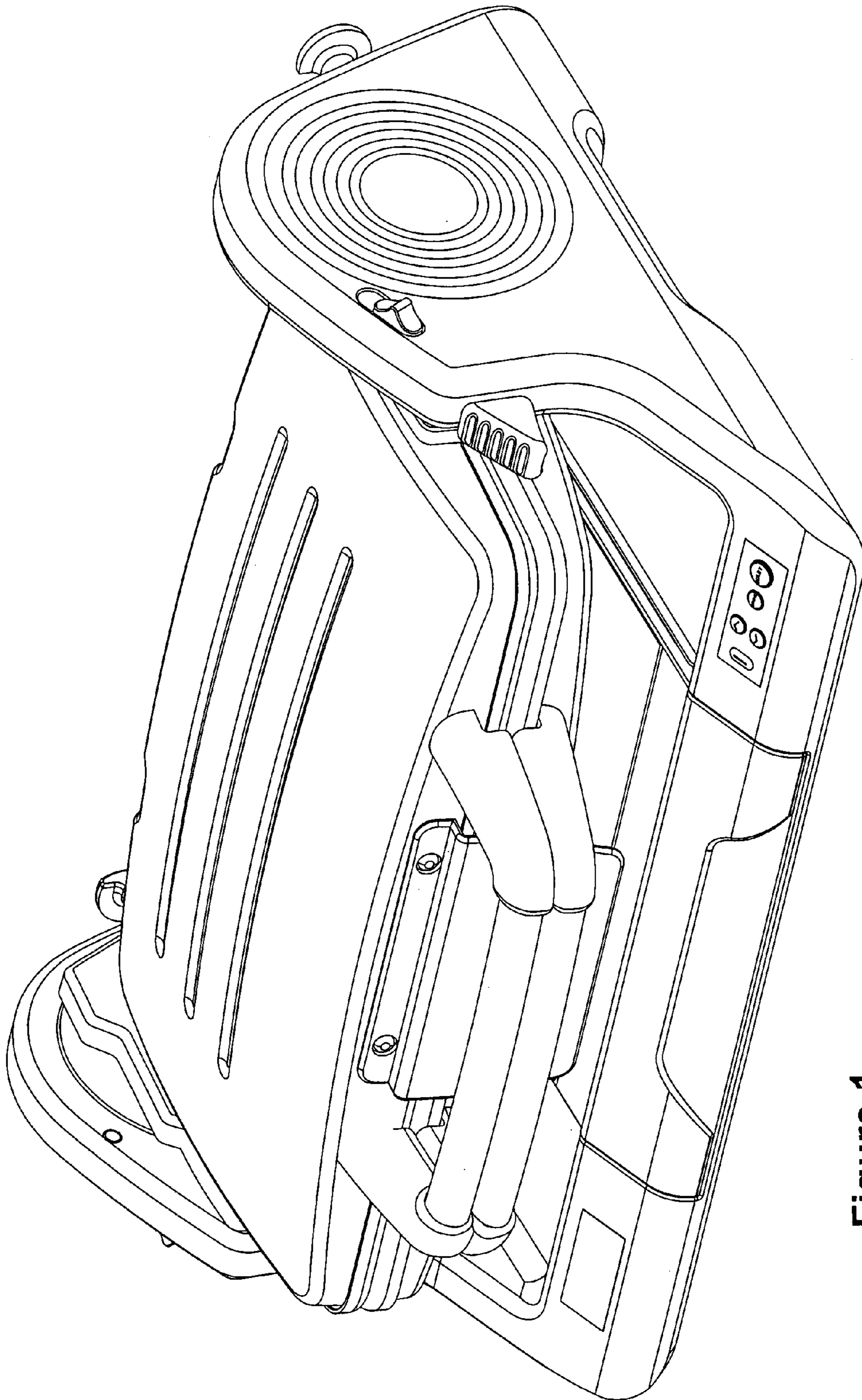


Figure 1

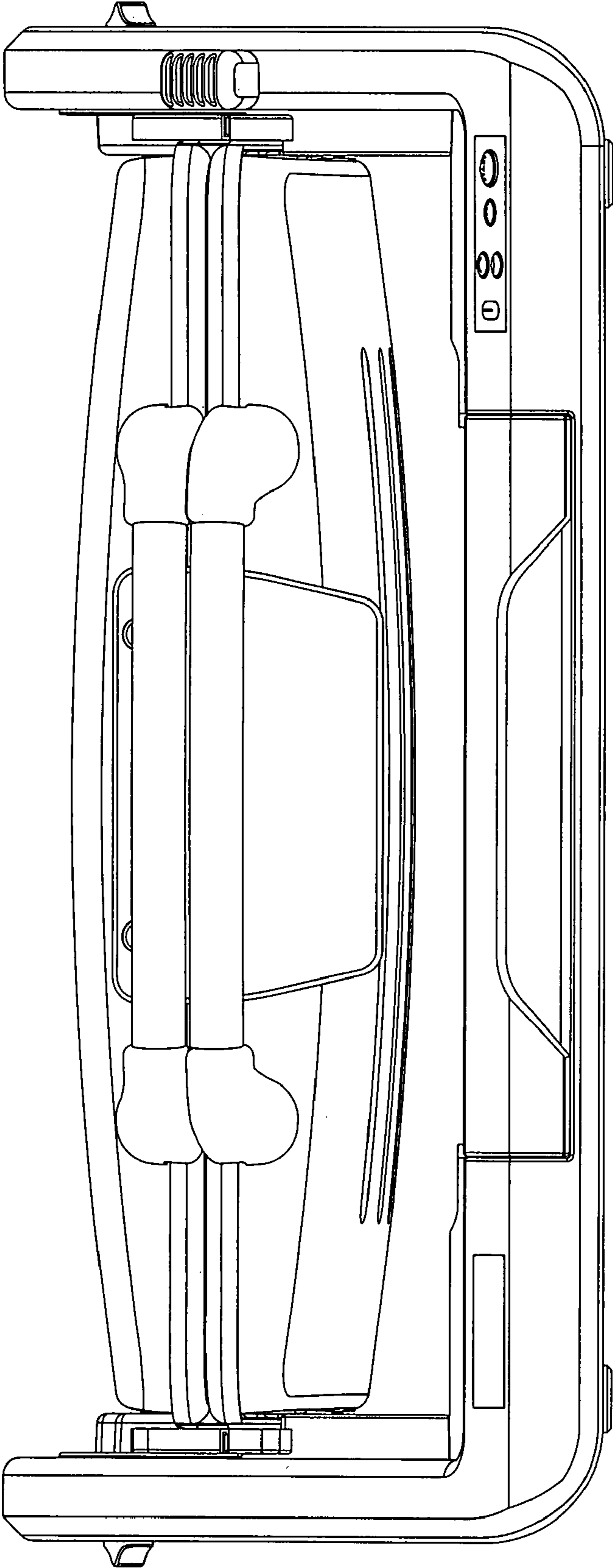


Figure 2

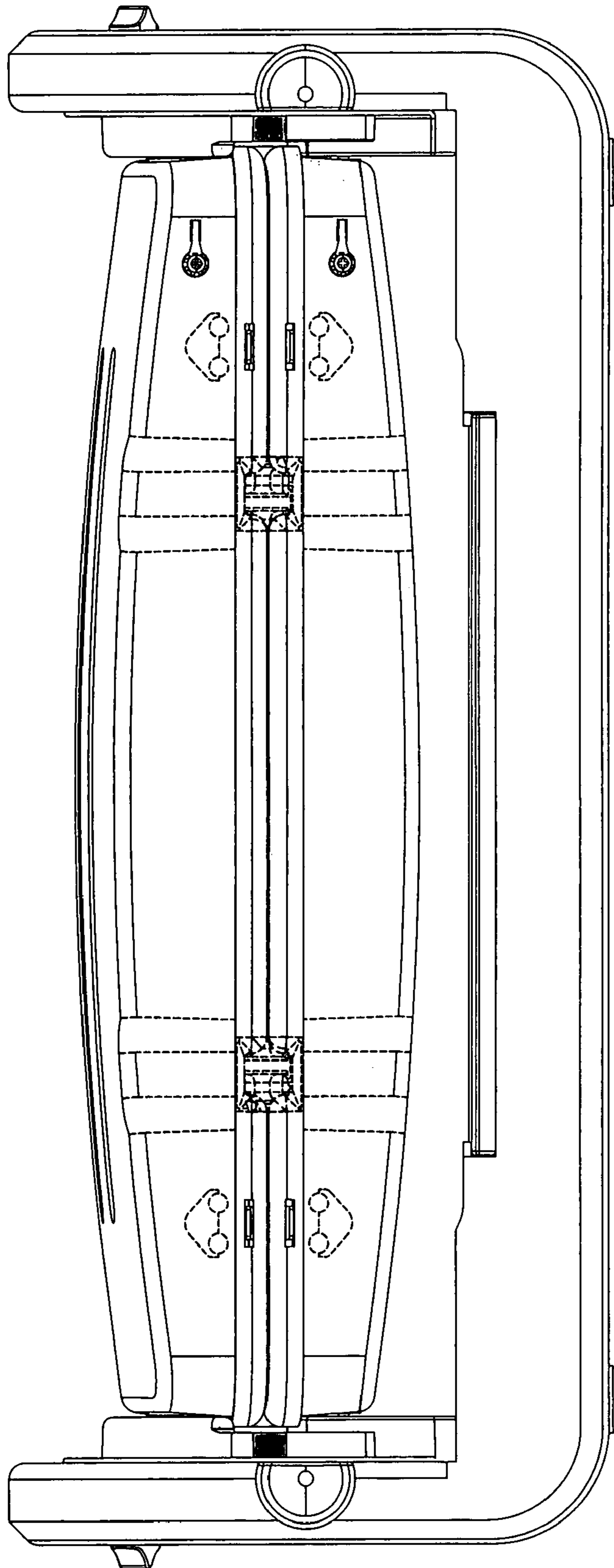


Figure 3

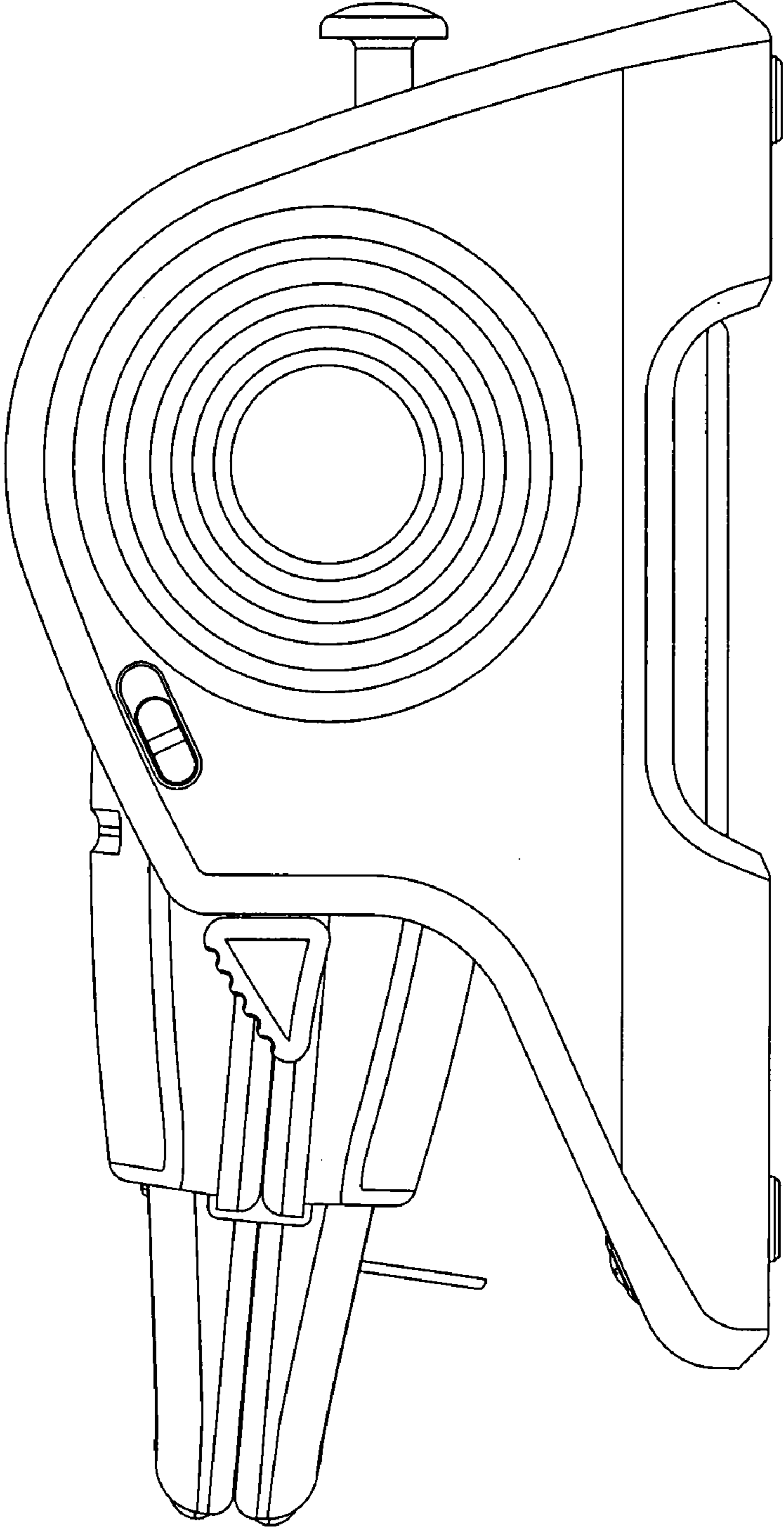


Figure 4

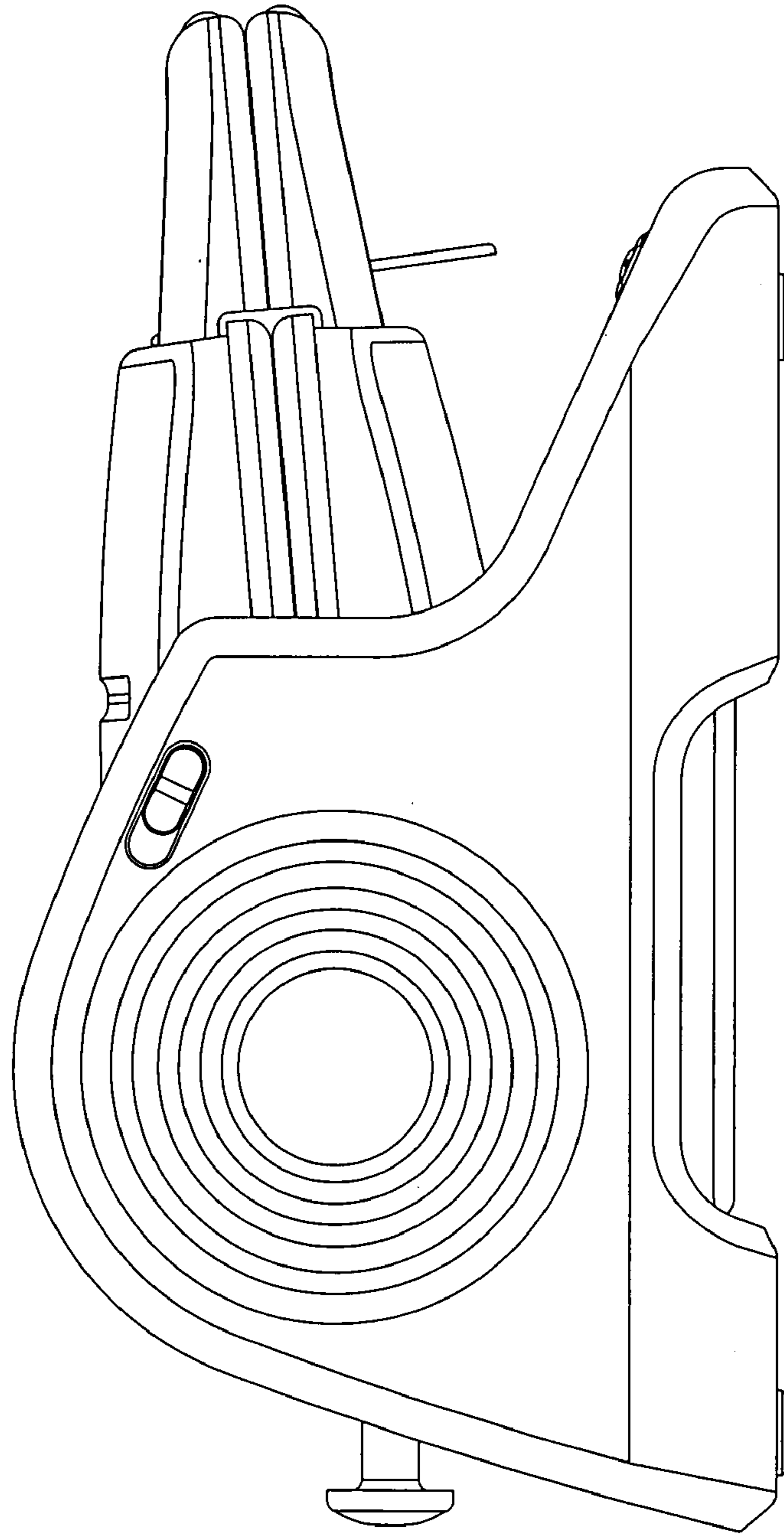


Figure 5

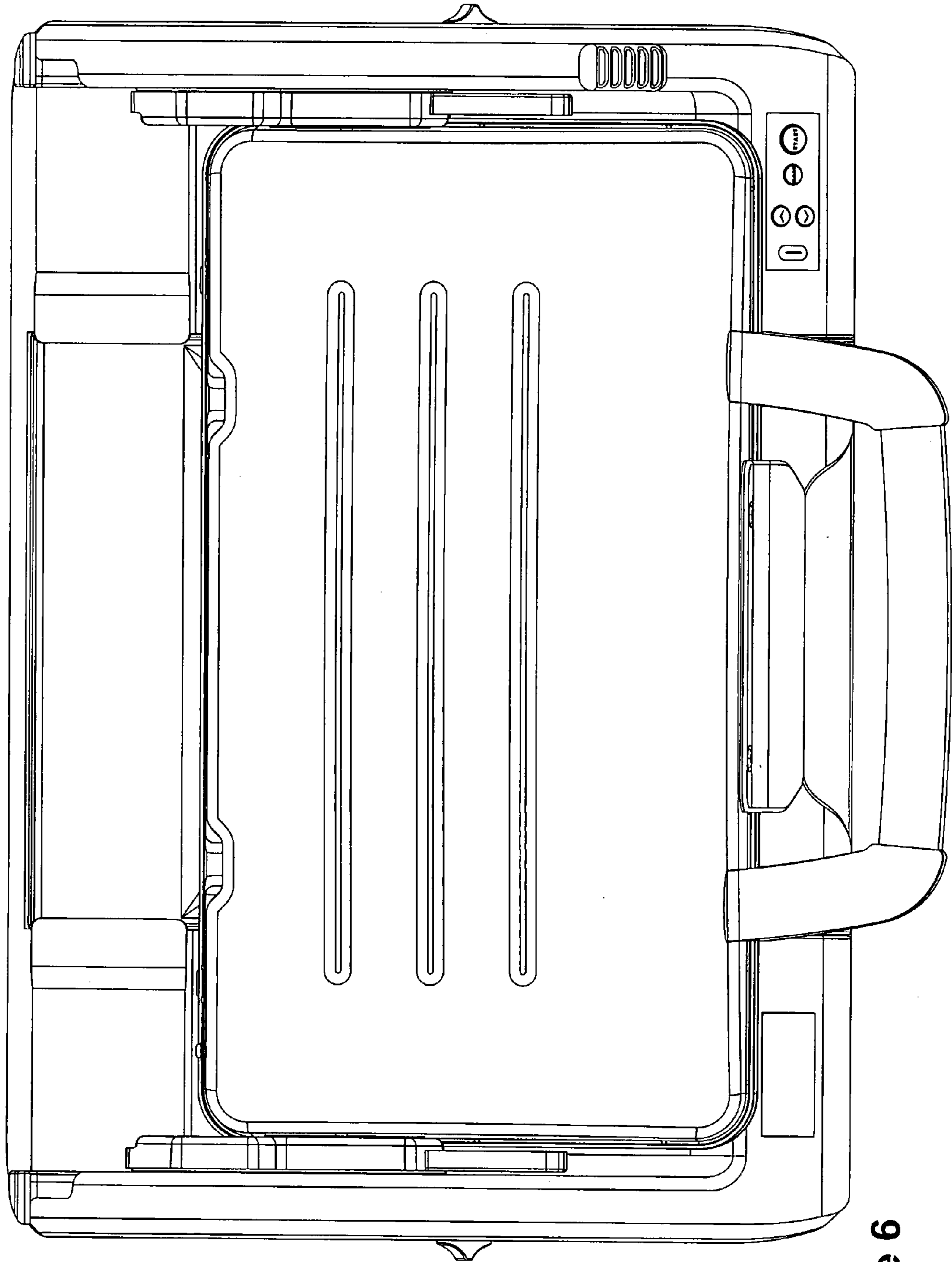


Figure 6

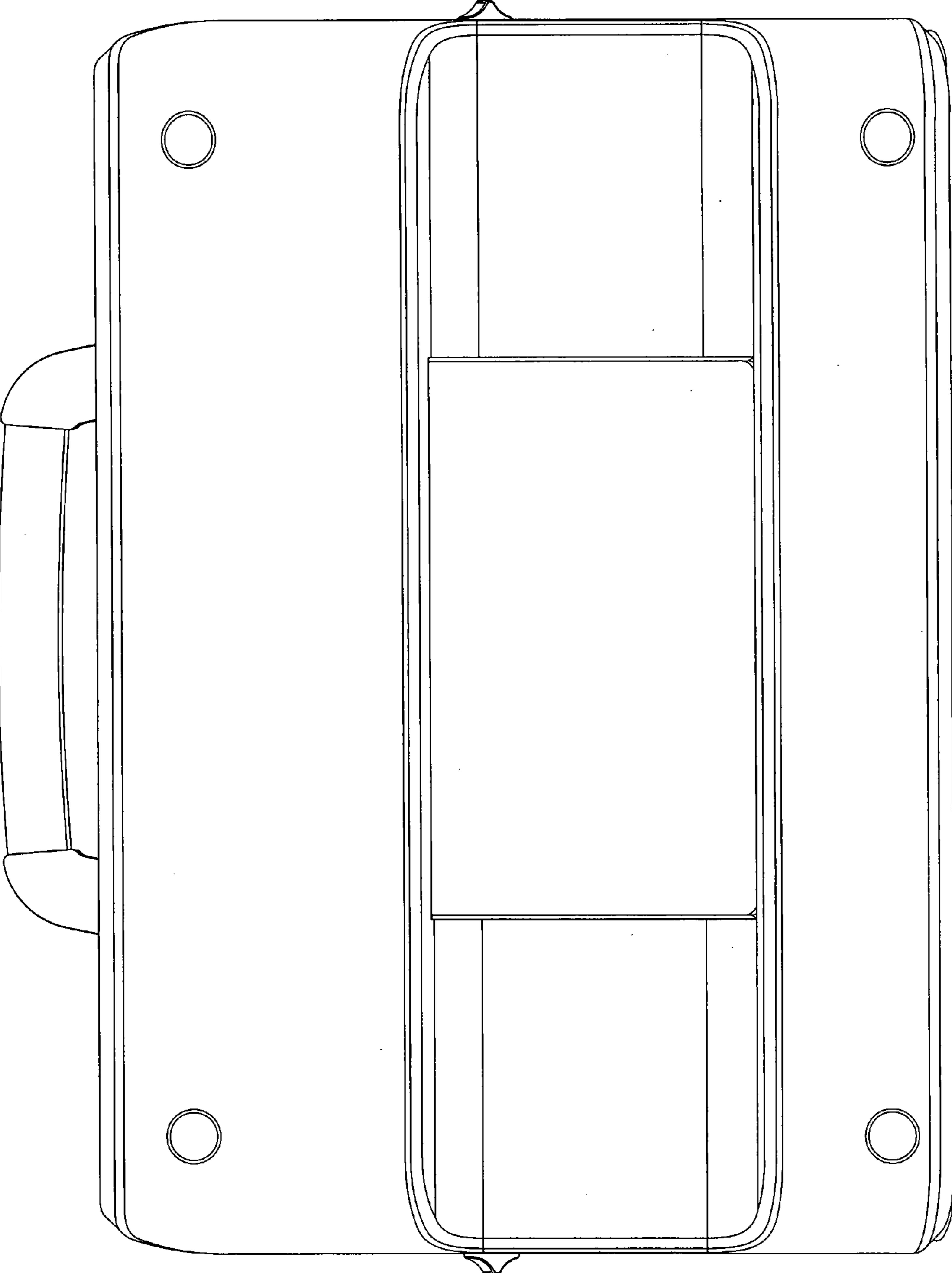


Figure 7