



US00D553422S

(12) **United States Design Patent**
De Pra'

(10) **Patent No.:** **US D553,422 S**

(45) **Date of Patent:** **** Oct. 23, 2007**

(54) **HOT PLATE (GRILL)**

(57) **CLAIM**

(75) Inventor: **Dario De Pra'**, Mirano (IT)

The ornamental design for the hot plate (grill), as shown and described.

(73) Assignee: **De'Longhi S.p.A.**, Treviso (IT)

(**) Term: **14 Years**

DESCRIPTION

(21) Appl. No.: **29/257,067**

(22) Filed: **Mar. 29, 2006**

(30) **Foreign Application Priority Data**

Sep. 30, 2005 (EM) 000409784

(51) **LOC (8) Cl.** **07-02**

(52) **U.S. Cl.** **D7/352**

(58) **Field of Classification Search** D7/323,
D7/328-332, 334-339, 352-363; 99/219,
99/331, 339-340, 349, 369, 372-375, 385,
99/386, 389, 425, 444, 446, 466, 601, 618,
99/620; 219/524, 525, 620-622, 732-734;
D21/525

See application file for complete search history.

(56) **References Cited**

U.S. PATENT DOCUMENTS

D342,417 S *	12/1993	McClean	D7/352
D436,794 S *	1/2001	McClean	D7/352
D452,109 S *	12/2001	Hensel	D7/352
6,439,108 B1 *	8/2002	Wu	99/349
D462,228 S *	9/2002	Wu	D7/352
D462,566 S *	9/2002	Wu	D7/352
D475,237 S *	6/2003	Lin	D7/352
D479,665 S *	9/2003	Barker	D7/352
D527,941 S *	9/2006	Serra	D7/352

* cited by examiner

Primary Examiner—Cathron C. Brooks

Assistant Examiner—Ricky Pham

(74) *Attorney, Agent, or Firm*—Hamre, Schumann, Mueller & Larson, P.C.

FIG. 1 is a front View of a hot plate (grill) in accordance with a first embodiment of the design;

FIG. 2 is a left side view thereof;

FIG. 3 is a right view thereof;

FIG. 4 is a back view thereof;

FIG. 5 is a top view thereof;

FIG. 6 is a bottom view thereof;

FIG. 7 is a perspective view thereof;

FIG. 8 is a perspective view thereof, having the upper lid open;

FIG. 9 is a perspective view thereof, having the lower tray drawn out;

FIG. 10 is a front view of a hot plate (grill) in accordance with a second embodiment of the design;

FIG. 11 is a left side view thereof;

FIG. 12 is a right view thereof;

FIG. 13 is a back view thereof;

FIG. 14 is a top view thereof;

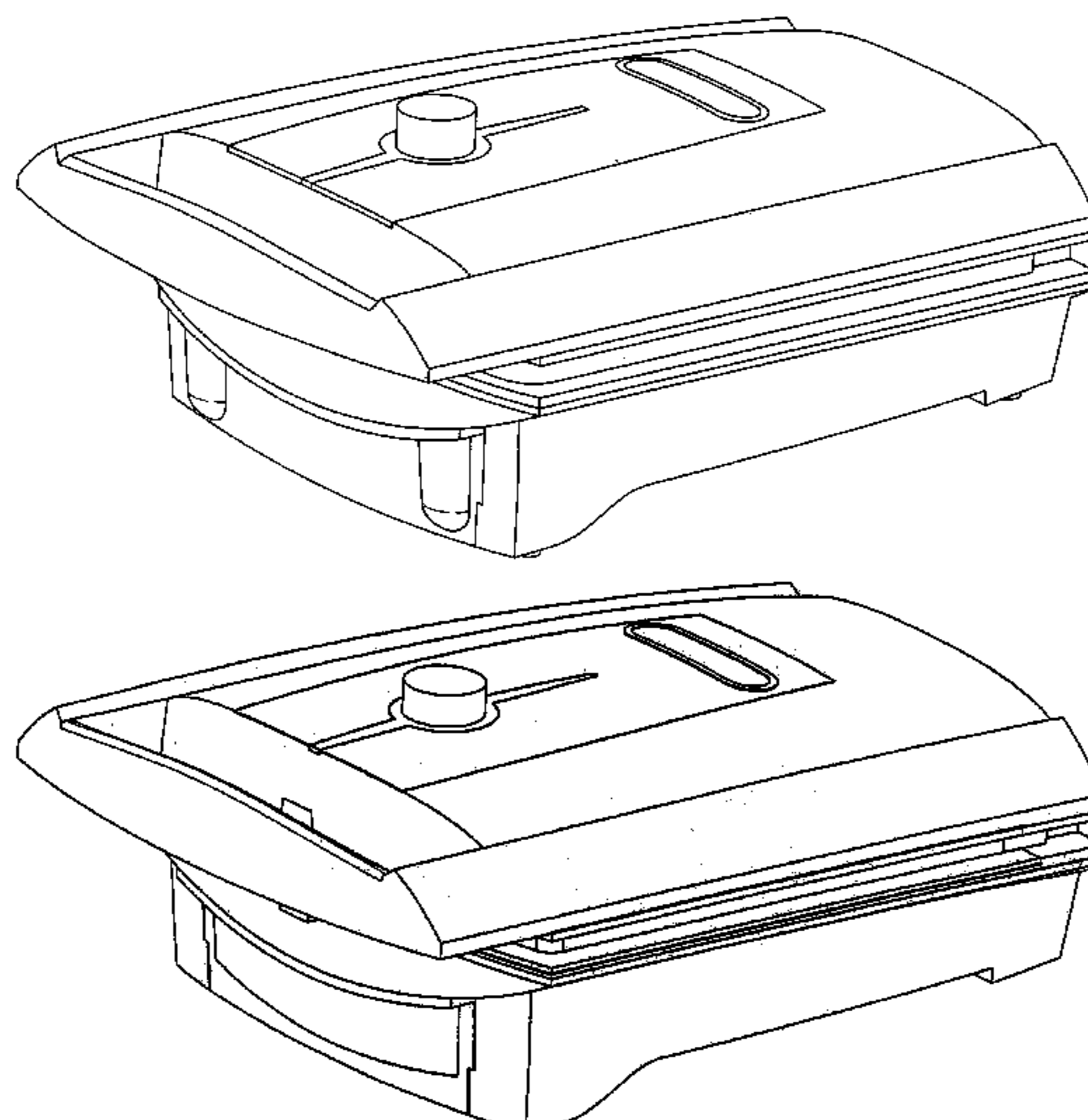
FIG. 15 is a bottom view thereof;

FIG. 16 is a perspective view thereof;

FIG. 17 is a perspective view thereof, having the upper lid open; and,

FIG. 18 is a perspective view thereof, having the lower tray drawn out.

1 Claim, 18 Drawing Sheets



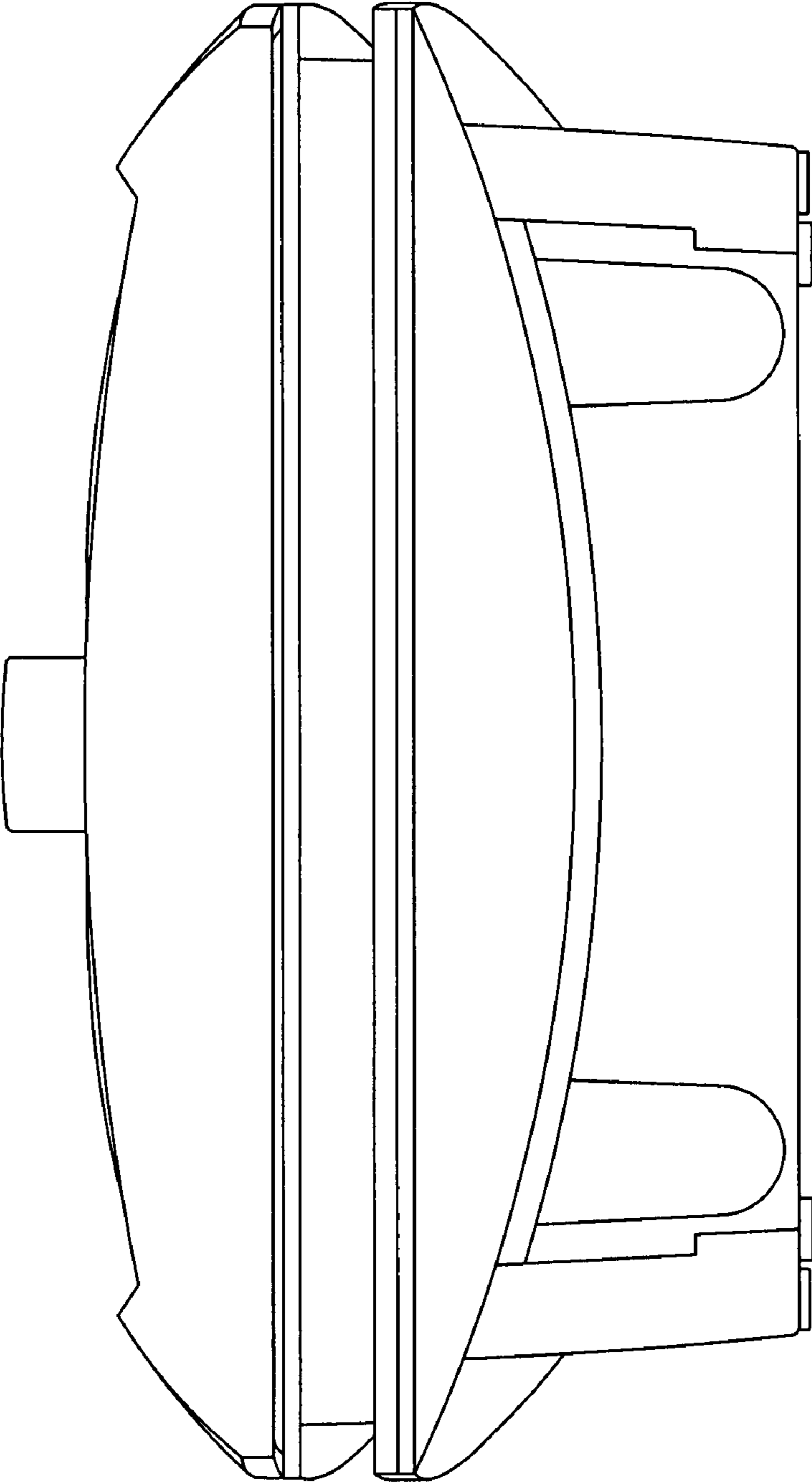


Fig. 1

Fig. 2

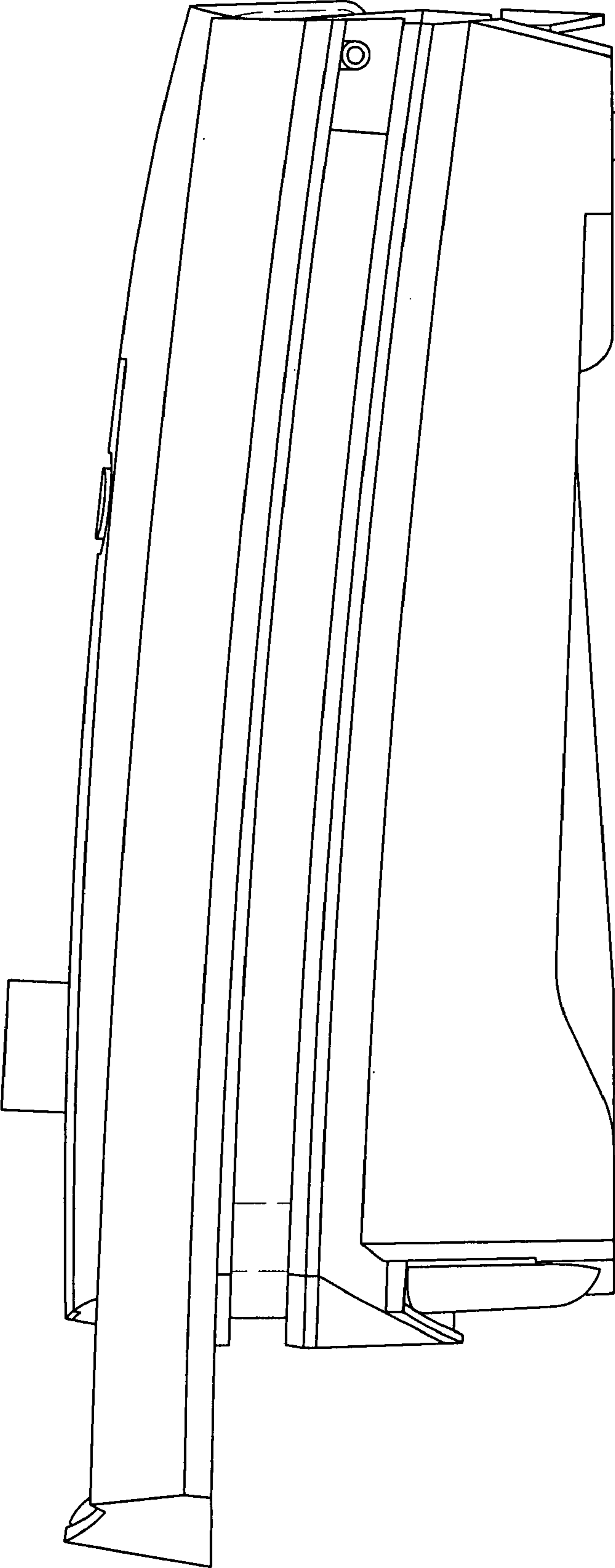
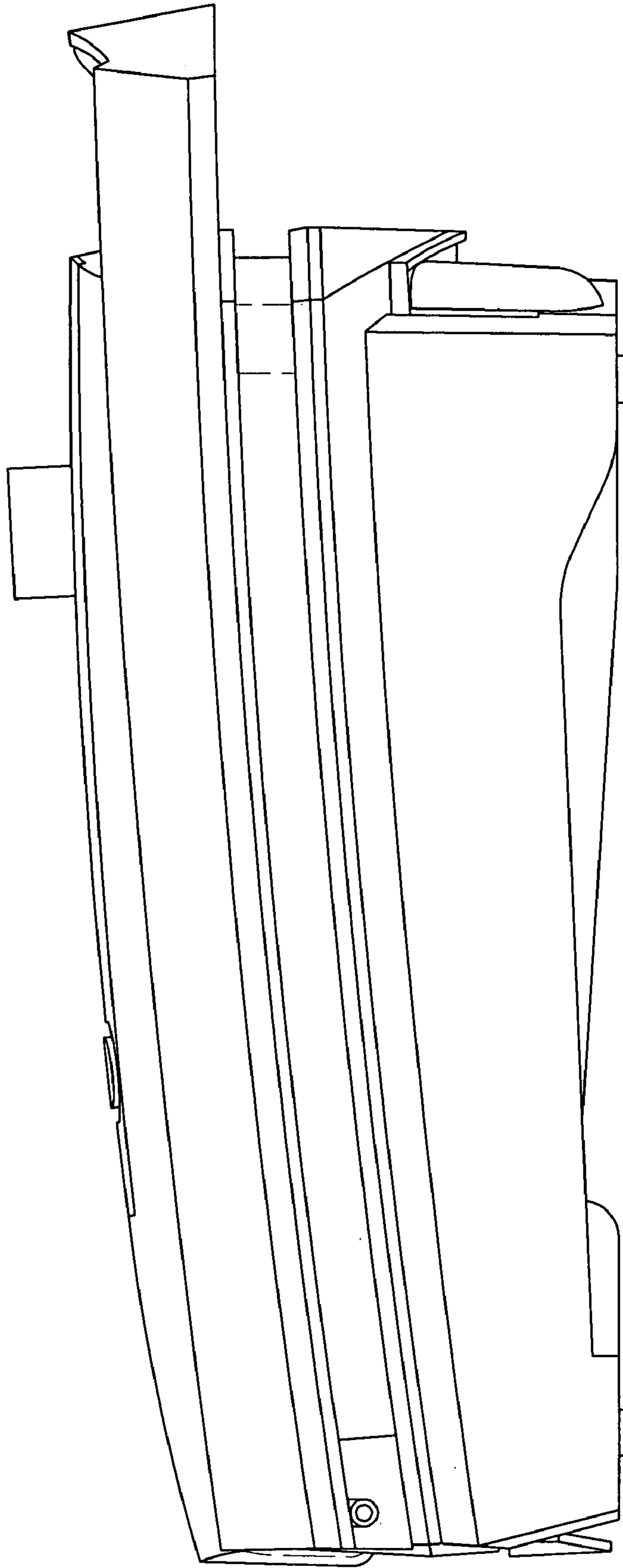


Fig. 3



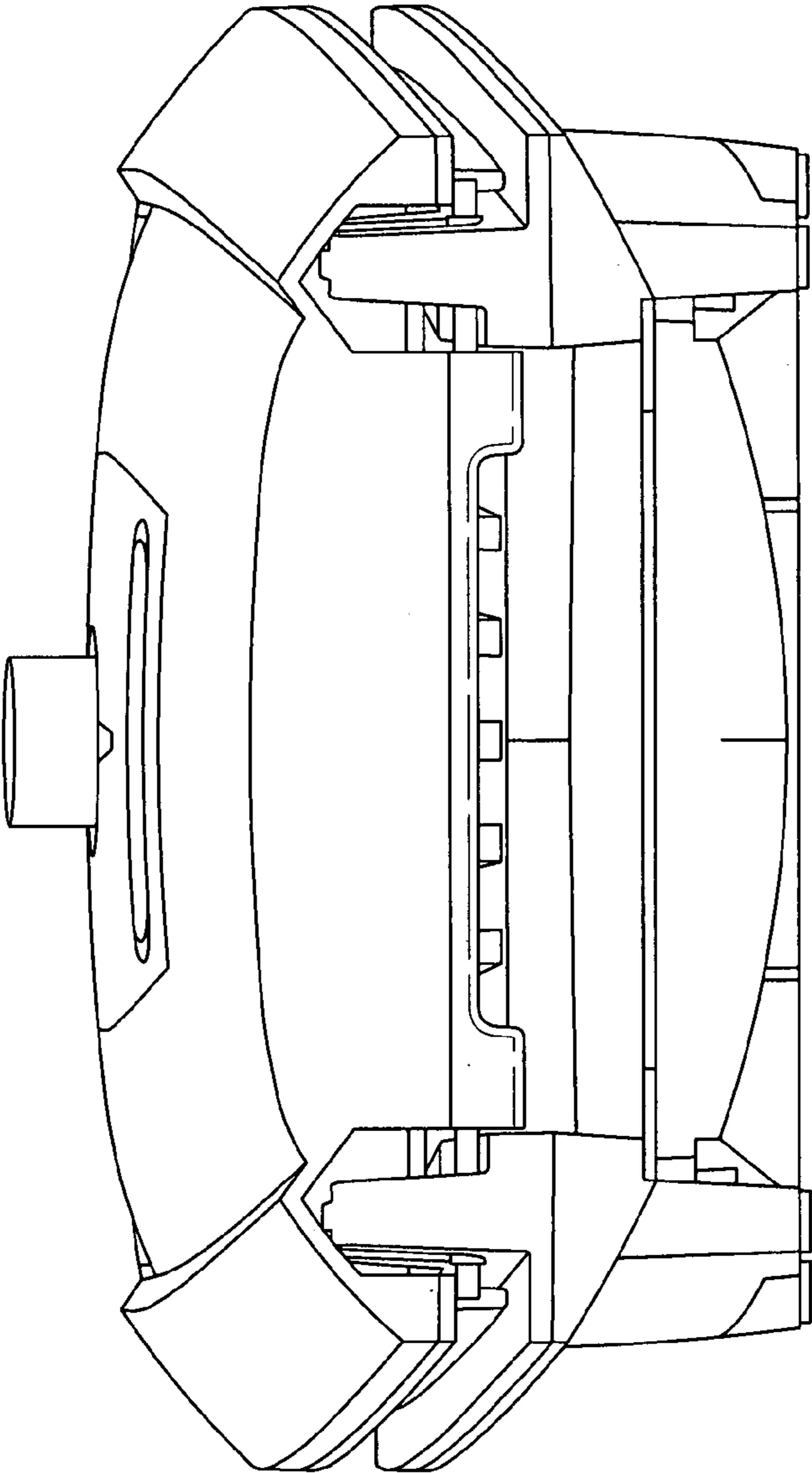


Fig. 4

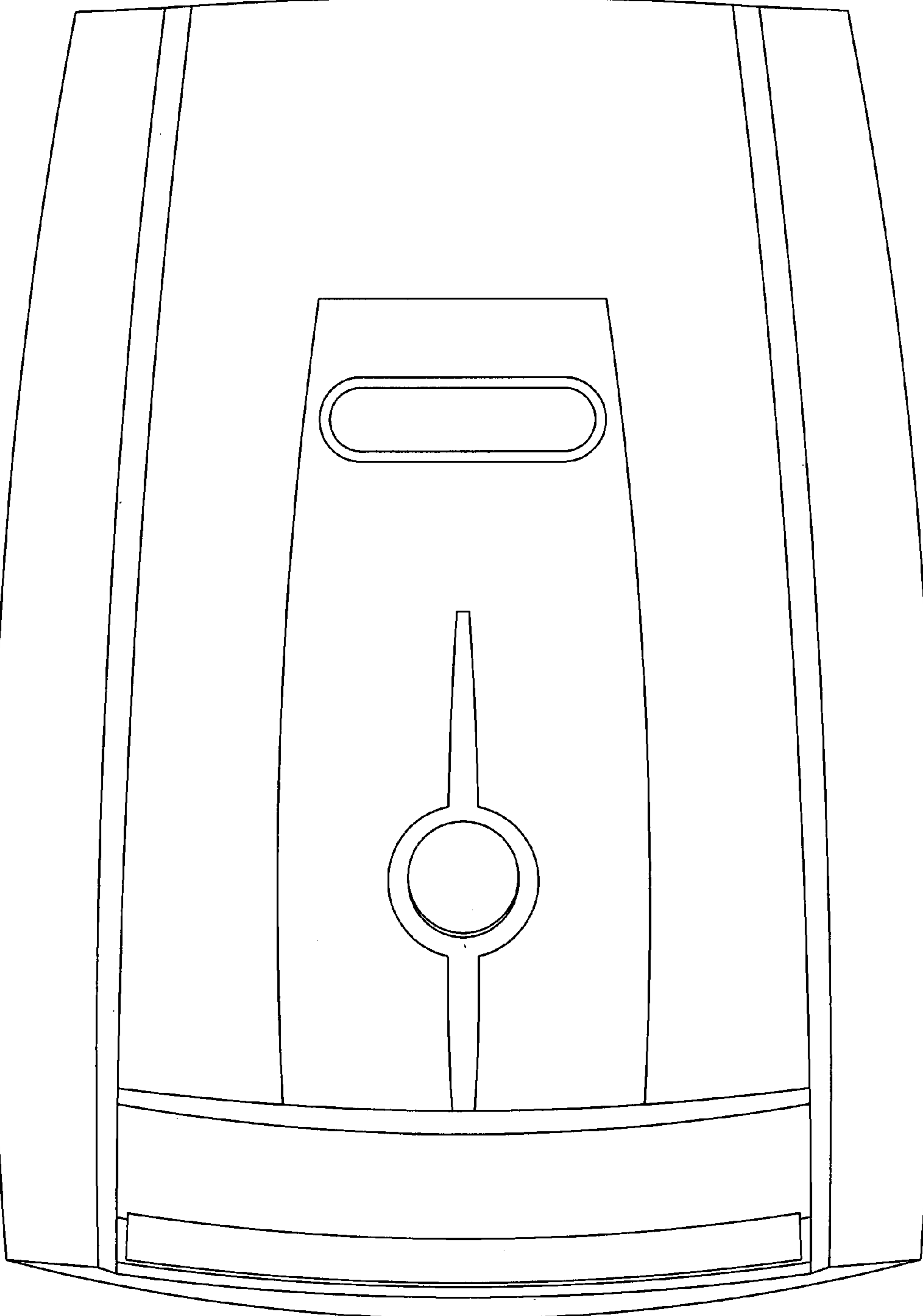


Fig. 5

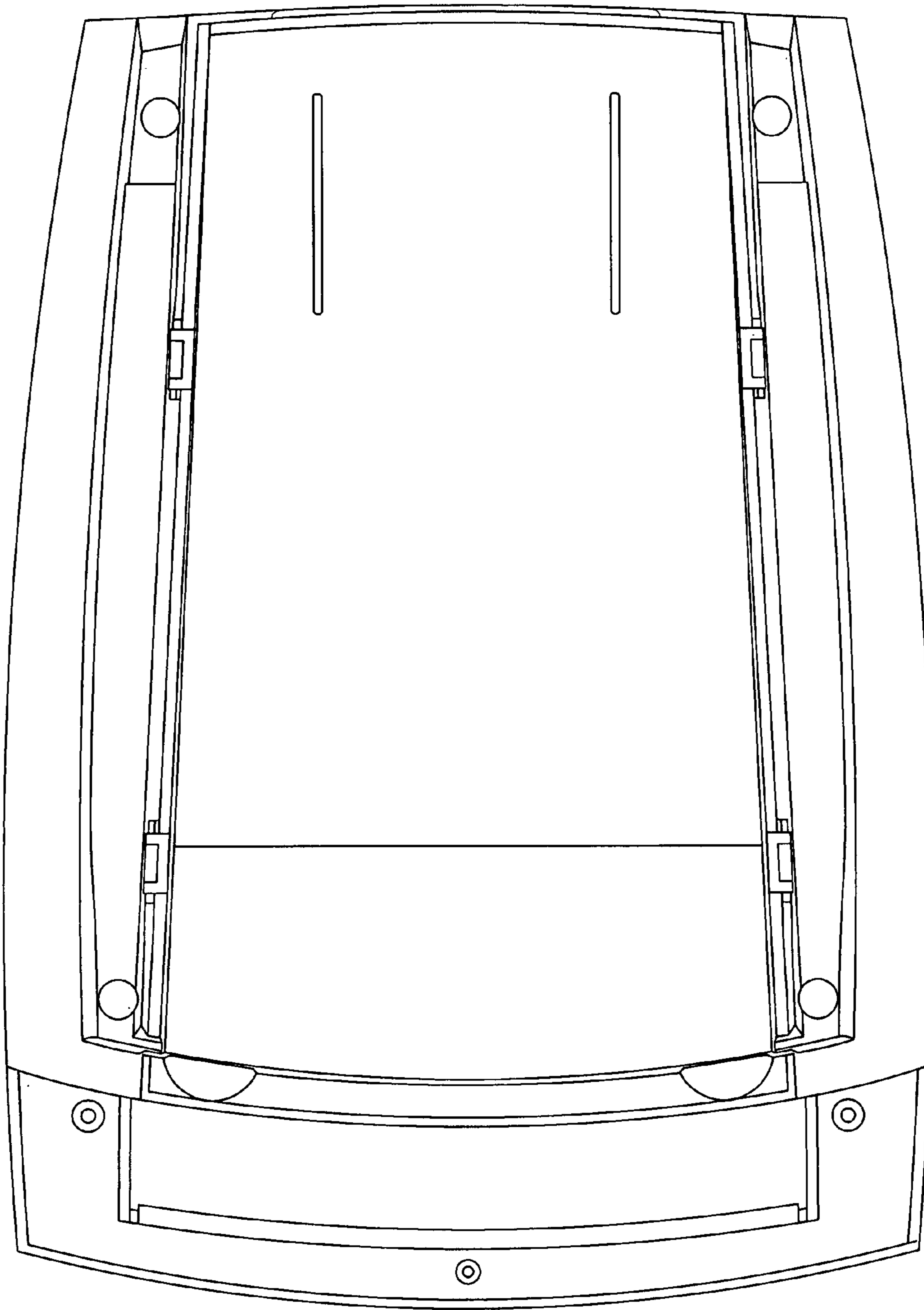


Fig. 6

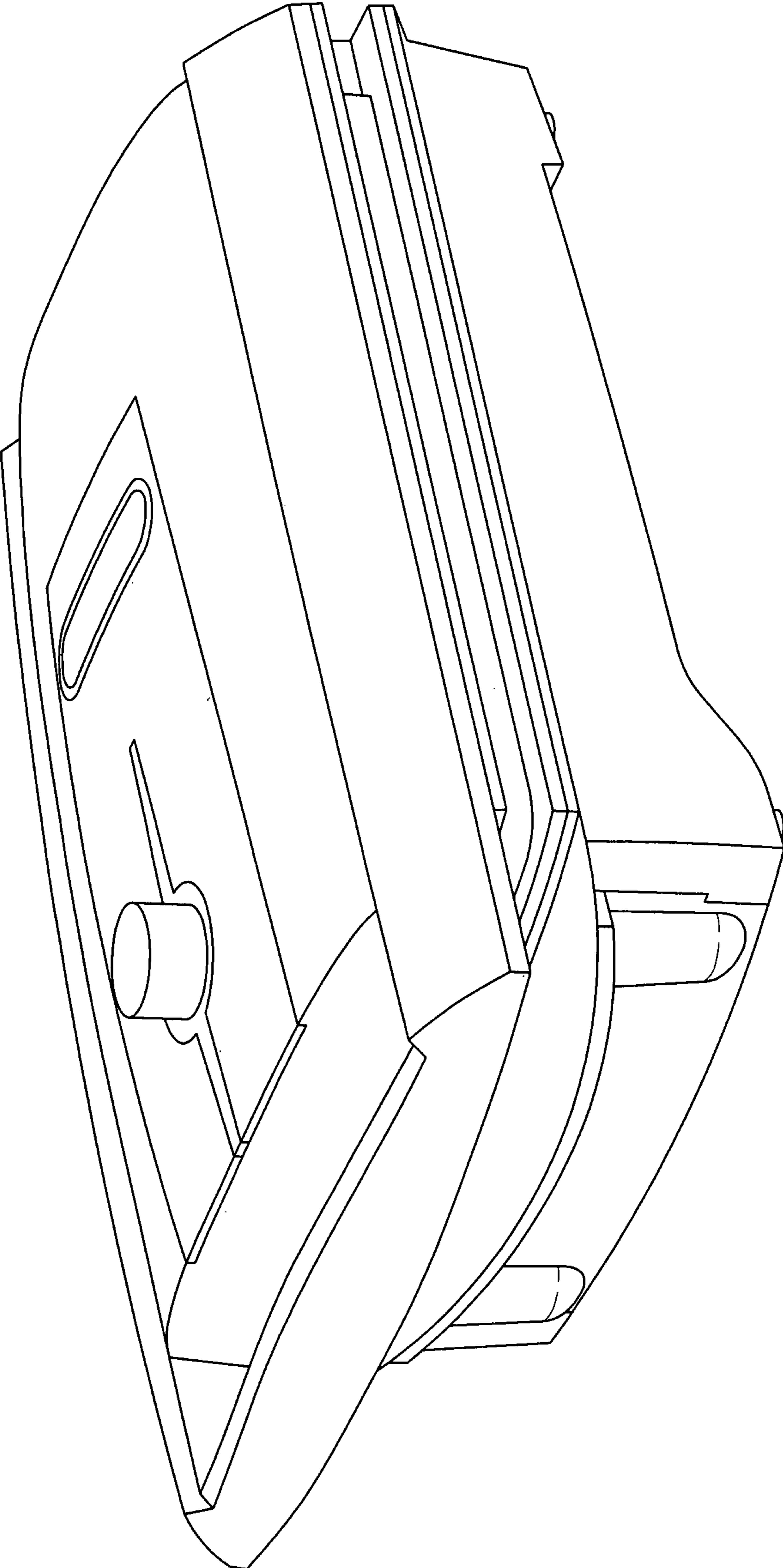
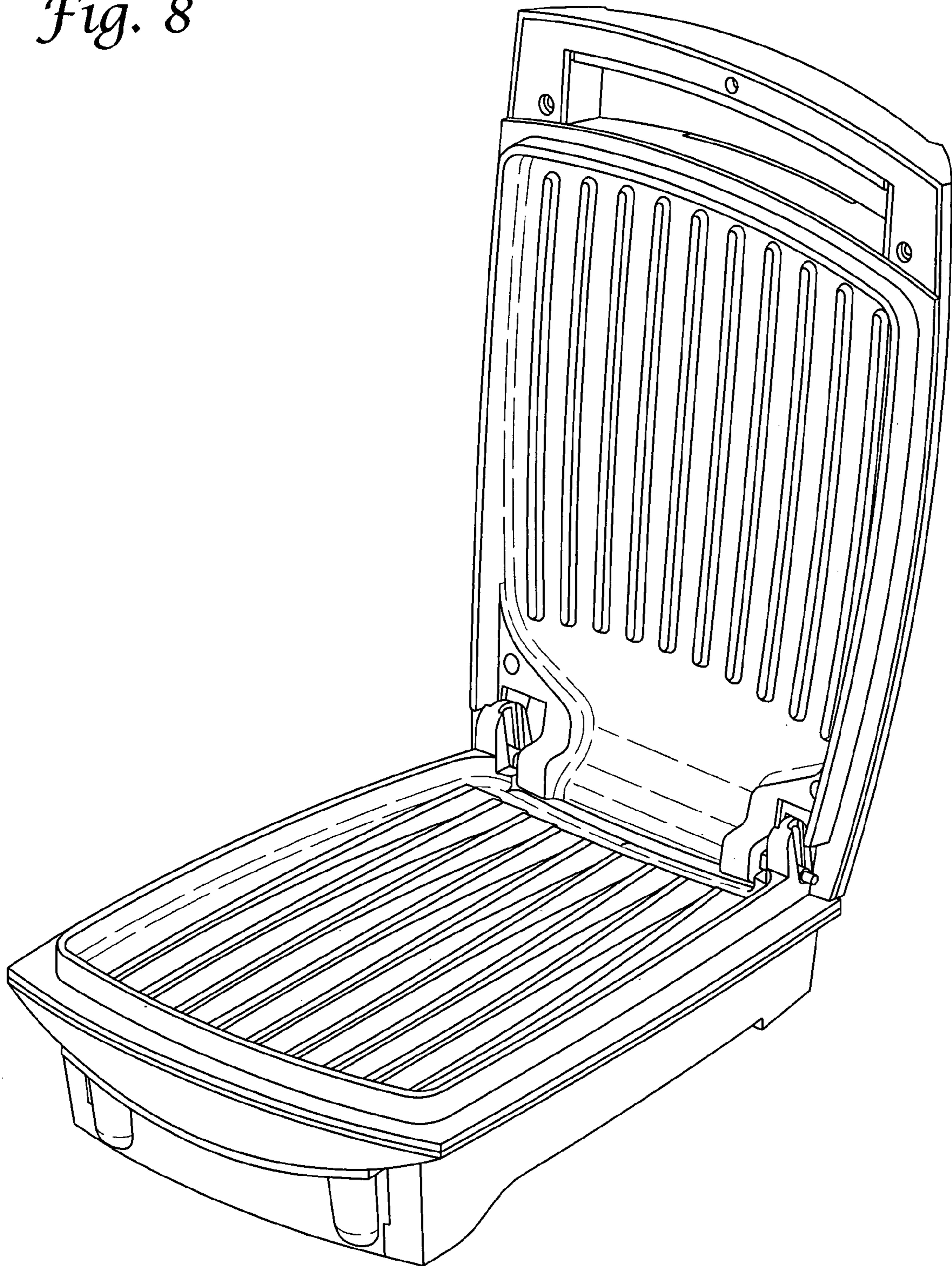


Fig. 7

Fig. 8



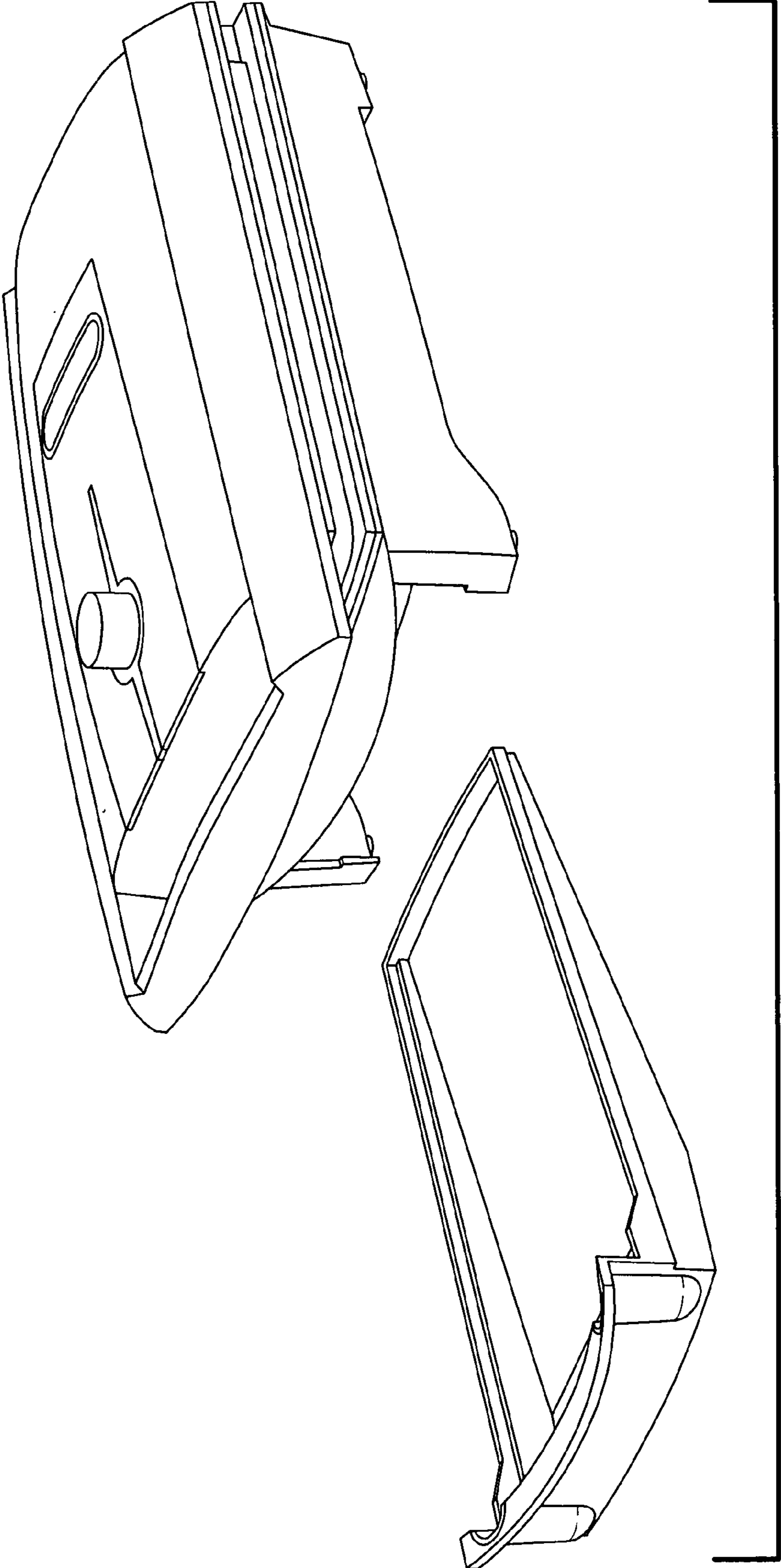


Fig. 9

FIG. 10

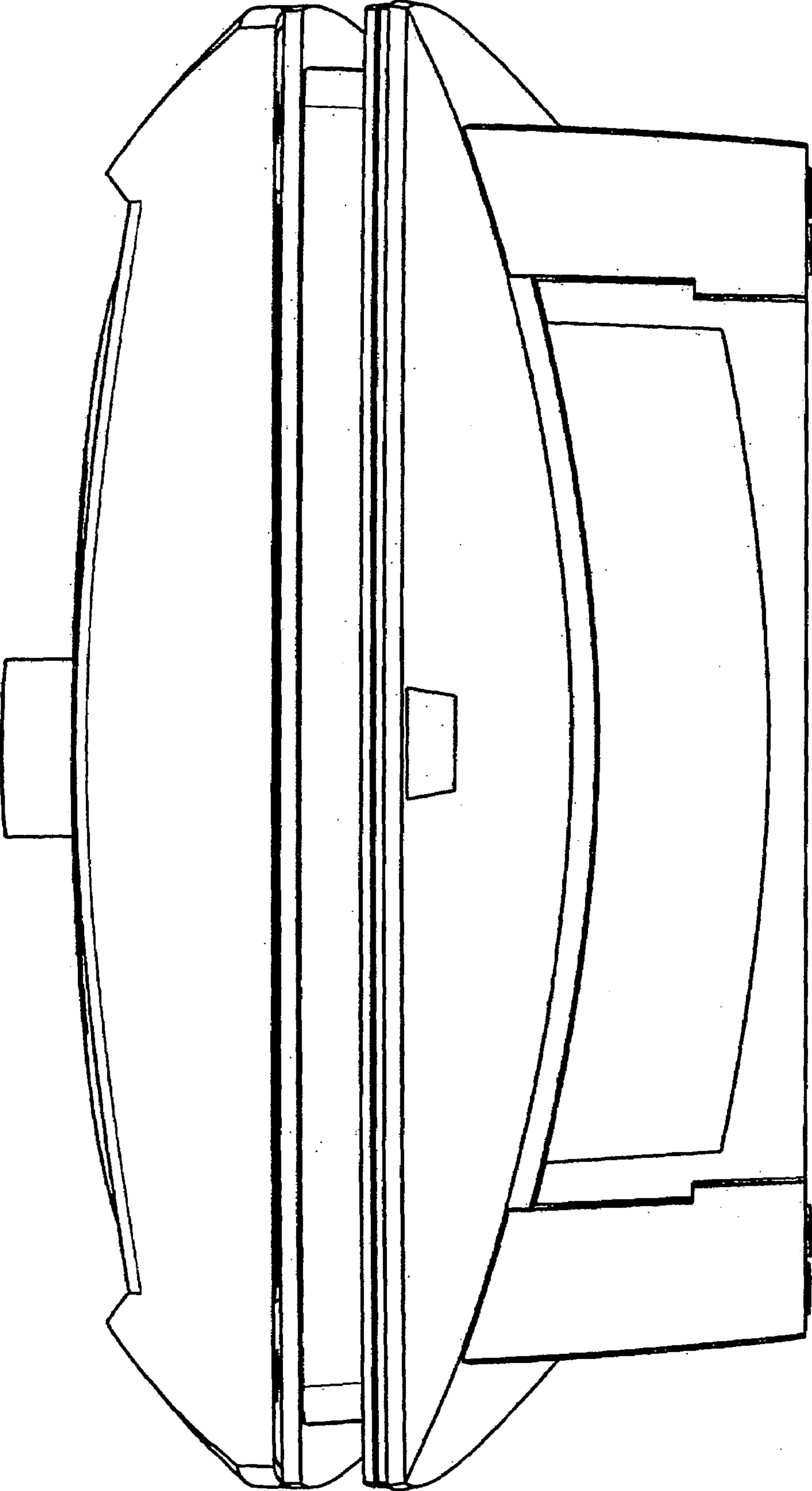


FIG. 11

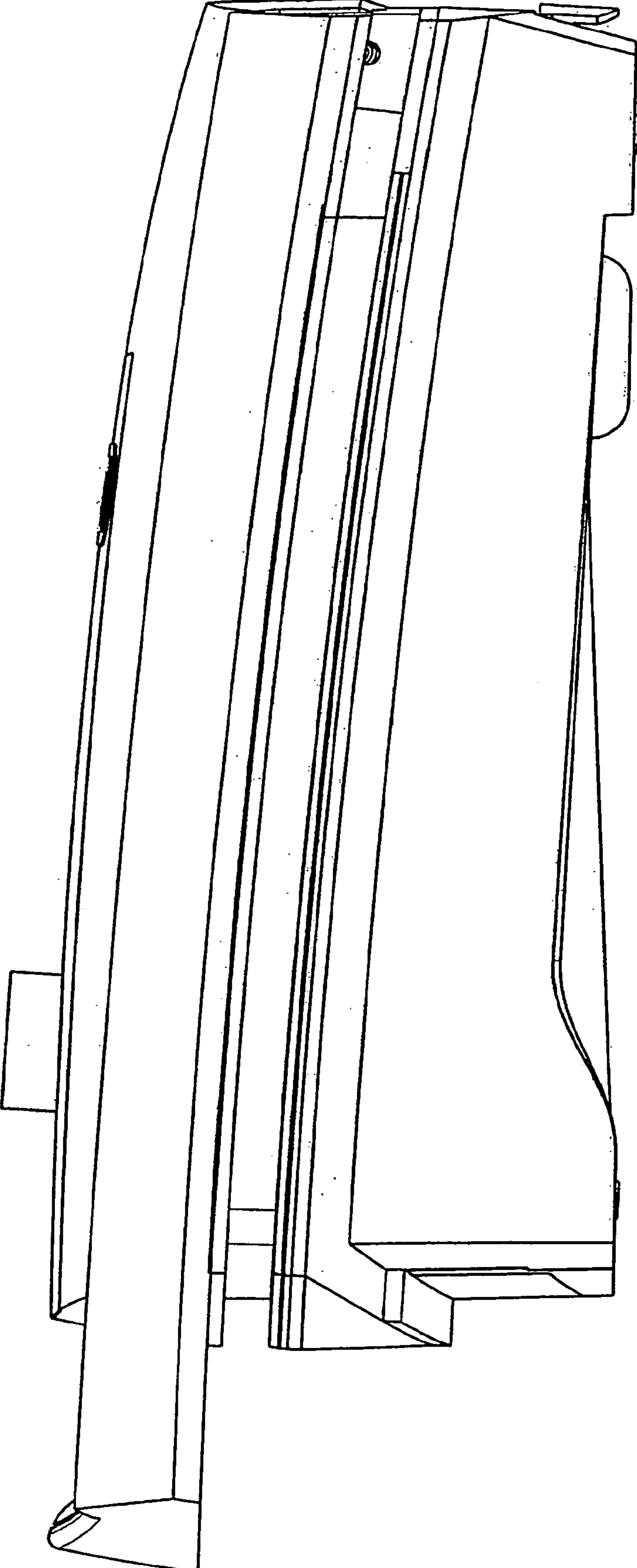


FIG. 12



FIG. 13

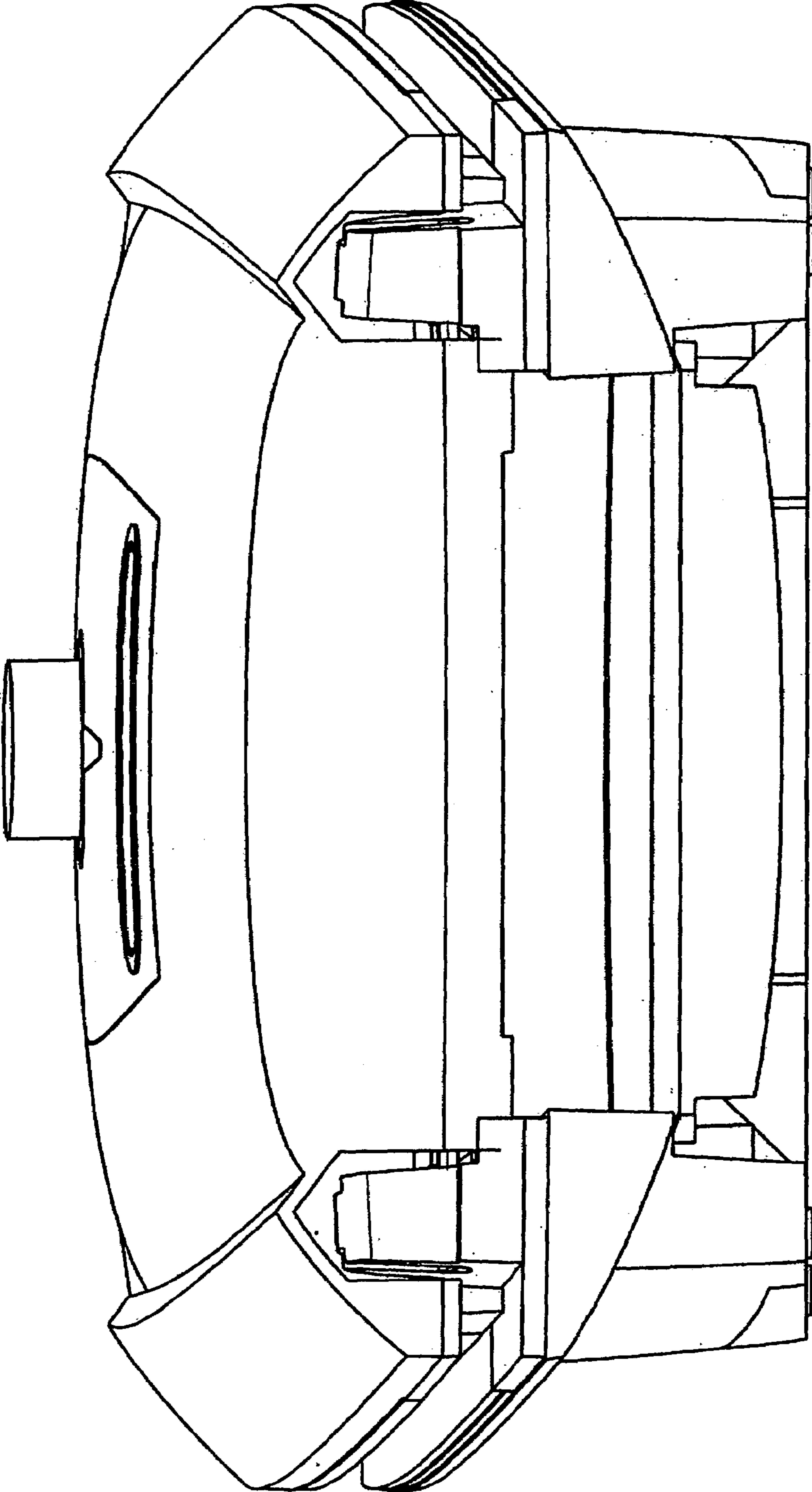


FIG. 14

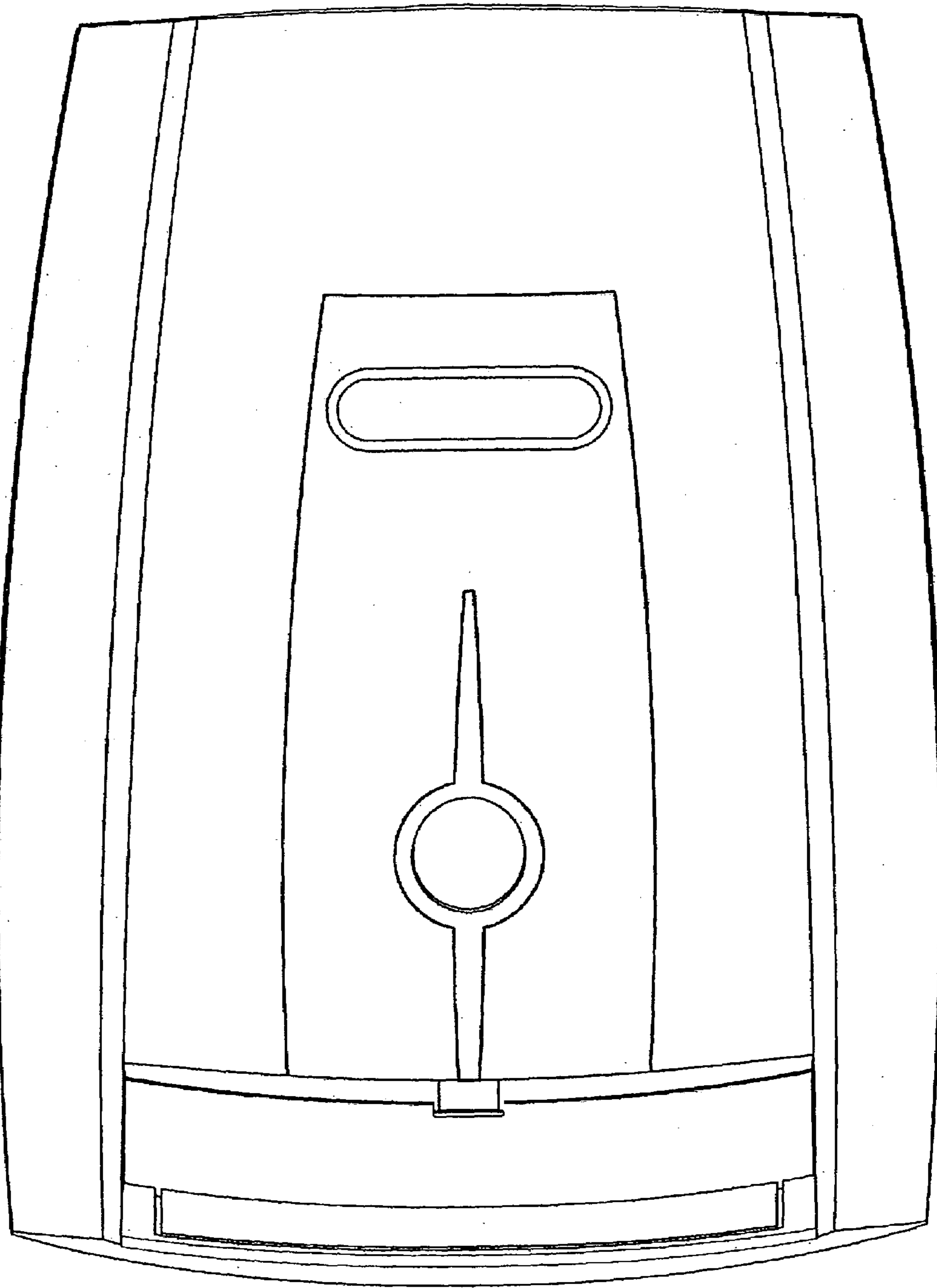


FIG. 15

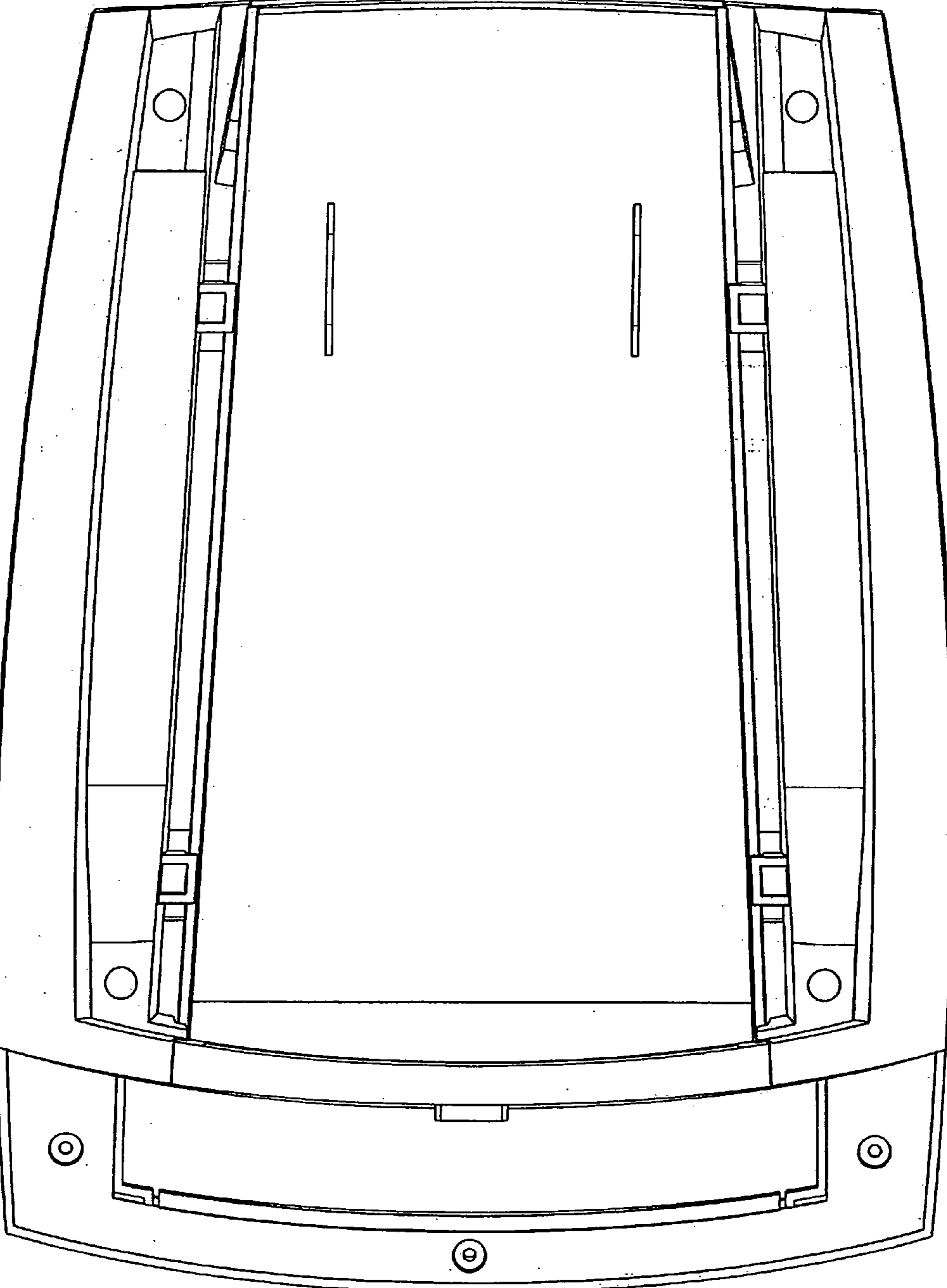


FIG. 16

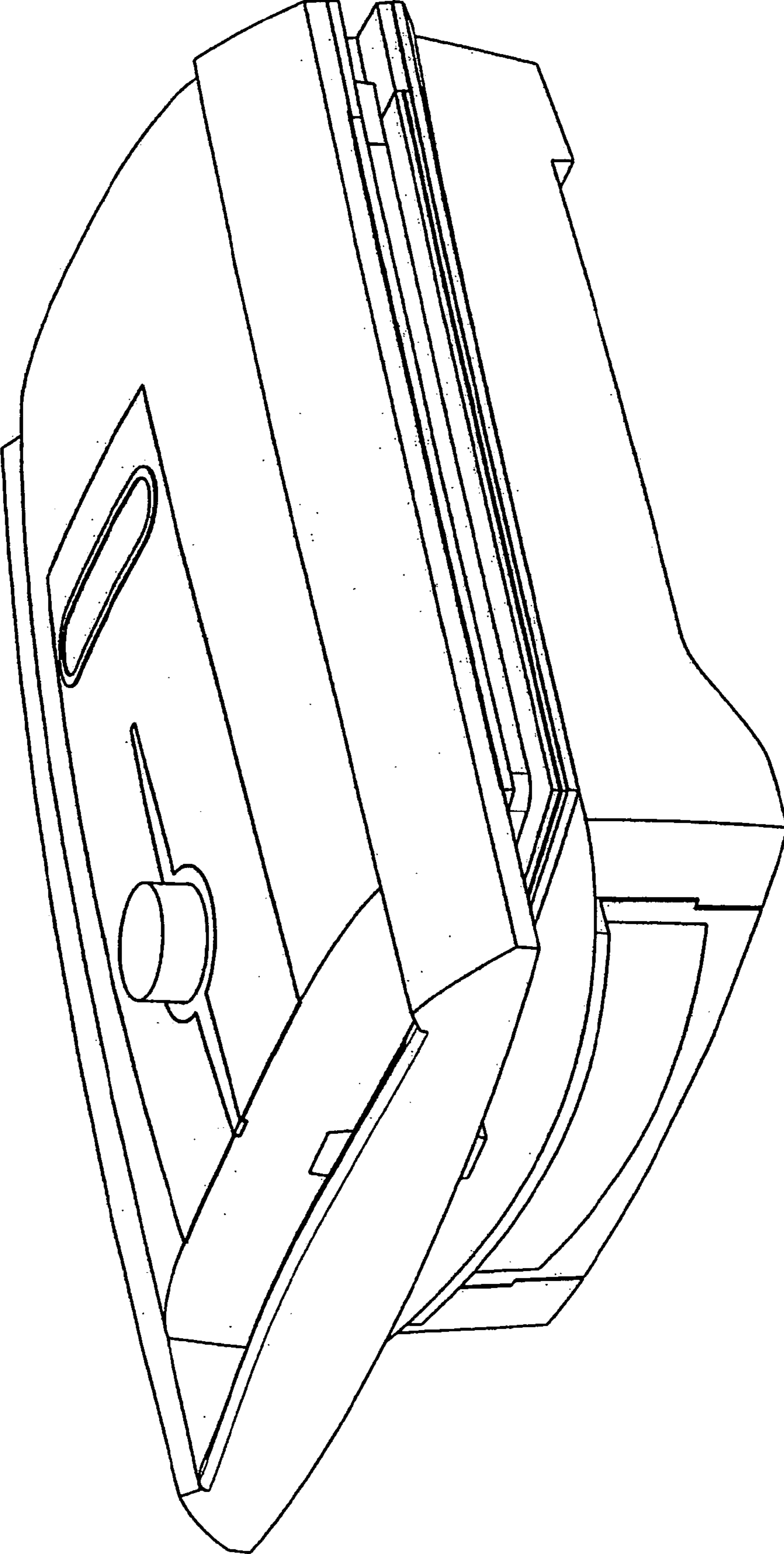


FIG. 17

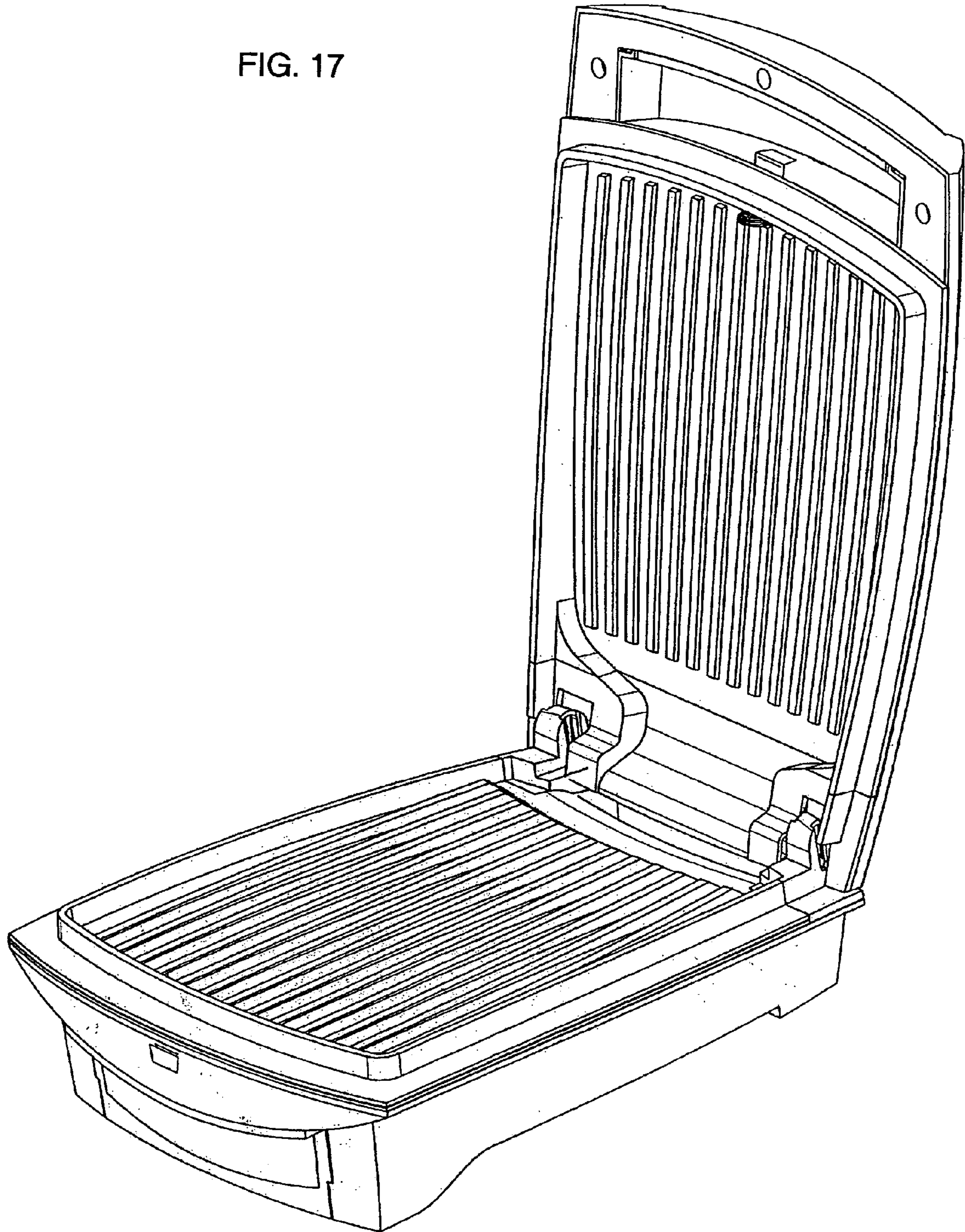


FIG. 18

