



US00D553421S

(12) **United States Design Patent**
Kim et al.

(10) **Patent No.:** **US D553,421 S**

(45) **Date of Patent:** **** Oct. 23, 2007**

(54) **TOASTER**

(75) Inventors: **Tong Jin Kim**, Evanston, IL (US);
Taiwon Choi, Chicago, IL (US); **Jeff Mathison**, Chicago, IL (US); **Augusto Picozza**, Boca Raton, FL (US)

(73) Assignee: **Sunbeam Products, Inc.**, Boca Raton, FL (US)

(**) Term: **14 Years**

(21) Appl. No.: **29/272,444**

(22) Filed: **Feb. 6, 2007**

(51) **LOC (8) Cl.** **07-02**

(52) **U.S. Cl.** **D7/330**

(58) **Field of Classification Search** D7/323,
D7/328-333, 385, 390, 340, 341, 346, 354-365,
D7/367, 402, 405-411; D13/158, 162, 162.1,
D13/163; D21/525; 99/331, 332, 357, 375,
99/385; 219/214, 388, 405, 443.1, 450.1,
219/492

See application file for complete search history.

(56) **References Cited**

U.S. PATENT DOCUMENTS

D118,511 S * 1/1940 Reinecke et al. D7/330
D130,748 S * 12/1941 Reinecke et al. D7/330
D149,937 S * 6/1948 Dailey D7/330
D150,134 S * 7/1948 Guild D7/330

D384,542 S * 10/1997 Pena Angarita D7/330
D415,924 S * 11/1999 Powel D7/330
D473,093 S * 4/2003 To D7/330
D474,368 S * 5/2003 Averty D7/330
D492,536 S * 7/2004 Wong et al. D7/330
D502,629 S * 3/2005 Guyett et al. D7/330
D509,702 S * 9/2005 Picozza et al. D7/330
D520,801 S * 5/2006 Cuffaro et al. D7/330
D527,568 S * 9/2006 Page et al. D7/330

* cited by examiner

Primary Examiner—Cathron C. Brooks

Assistant Examiner—Ricky Pham

(74) *Attorney, Agent, or Firm*—Lawrence J. Shurupoff

(57) **CLAIM**

The ornamental design for a toaster, as shown and described.

DESCRIPTION

FIG. 1 is a top front left perspective view of the toaster showing the new design;

FIG. 2 is a left side elevation view thereof;

FIG. 3 is a front elevation view thereof;

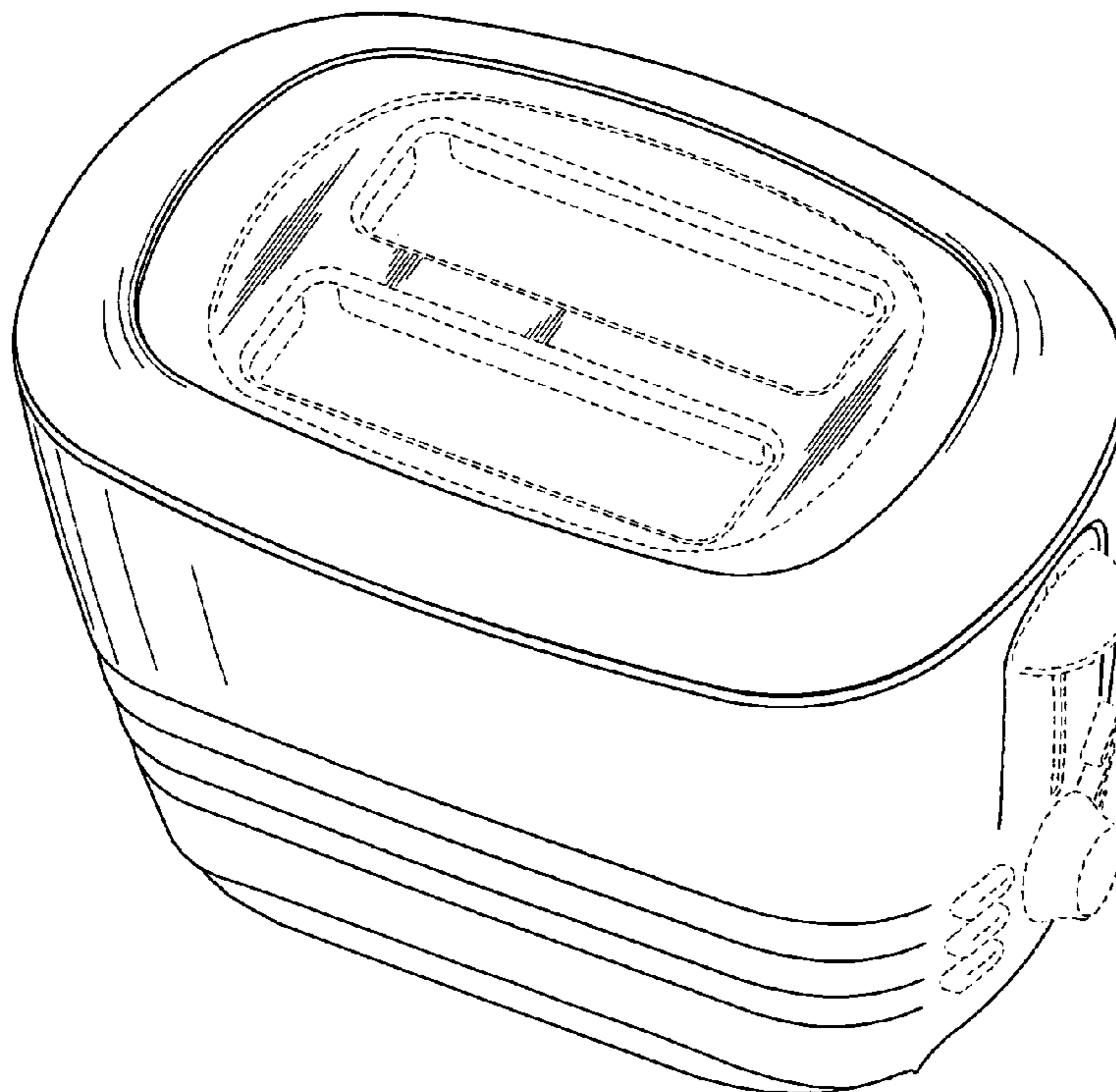
FIG. 4 is a right side elevation view thereof;

FIG. 5 is a rear elevation view thereof; and,

FIG. 6 is a top plan view thereof.

The broken lines shown in the drawings are for illustrative purposes only and form no part of the claimed design.

1 Claim, 6 Drawing Sheets



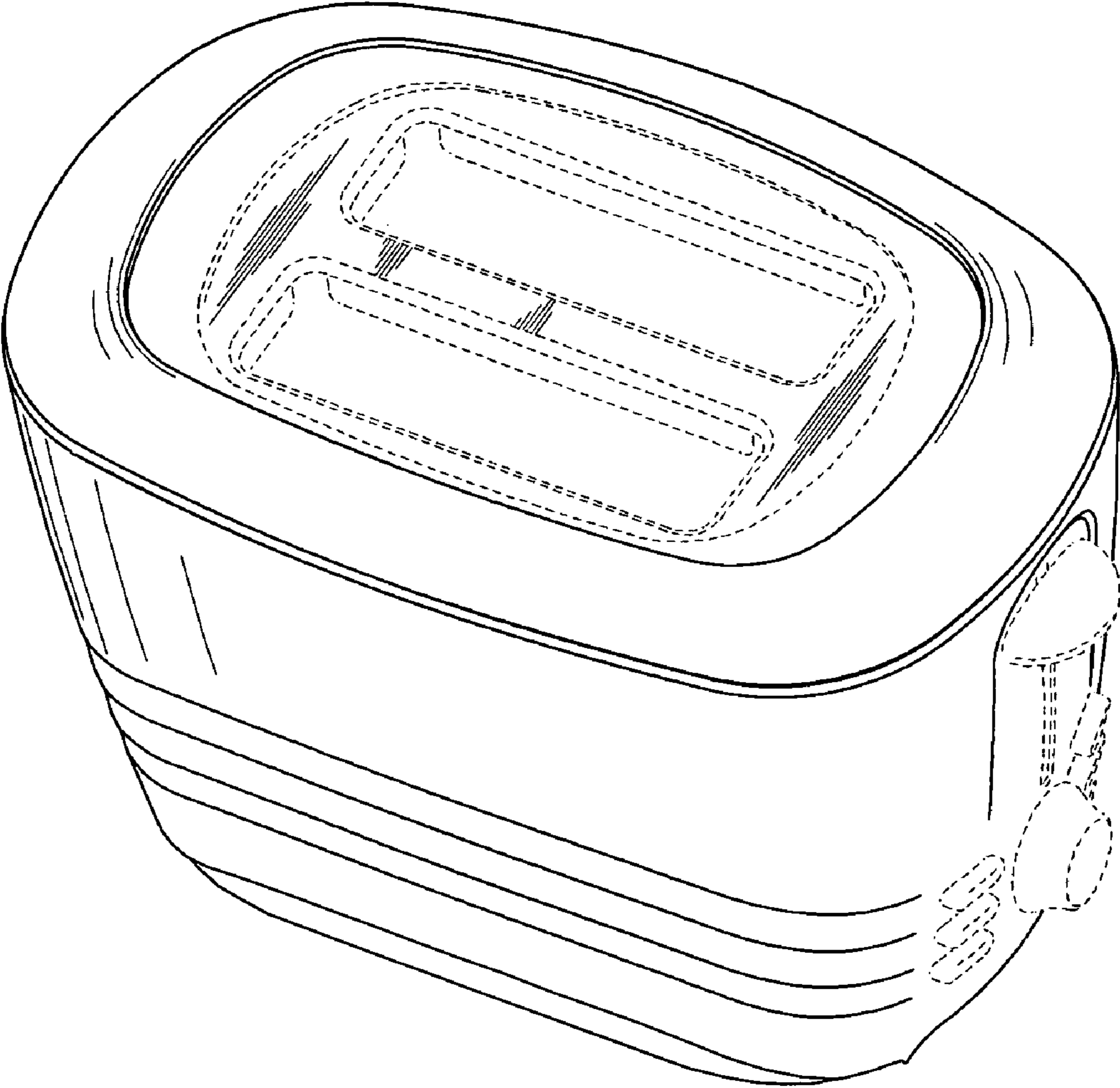


FIG 1

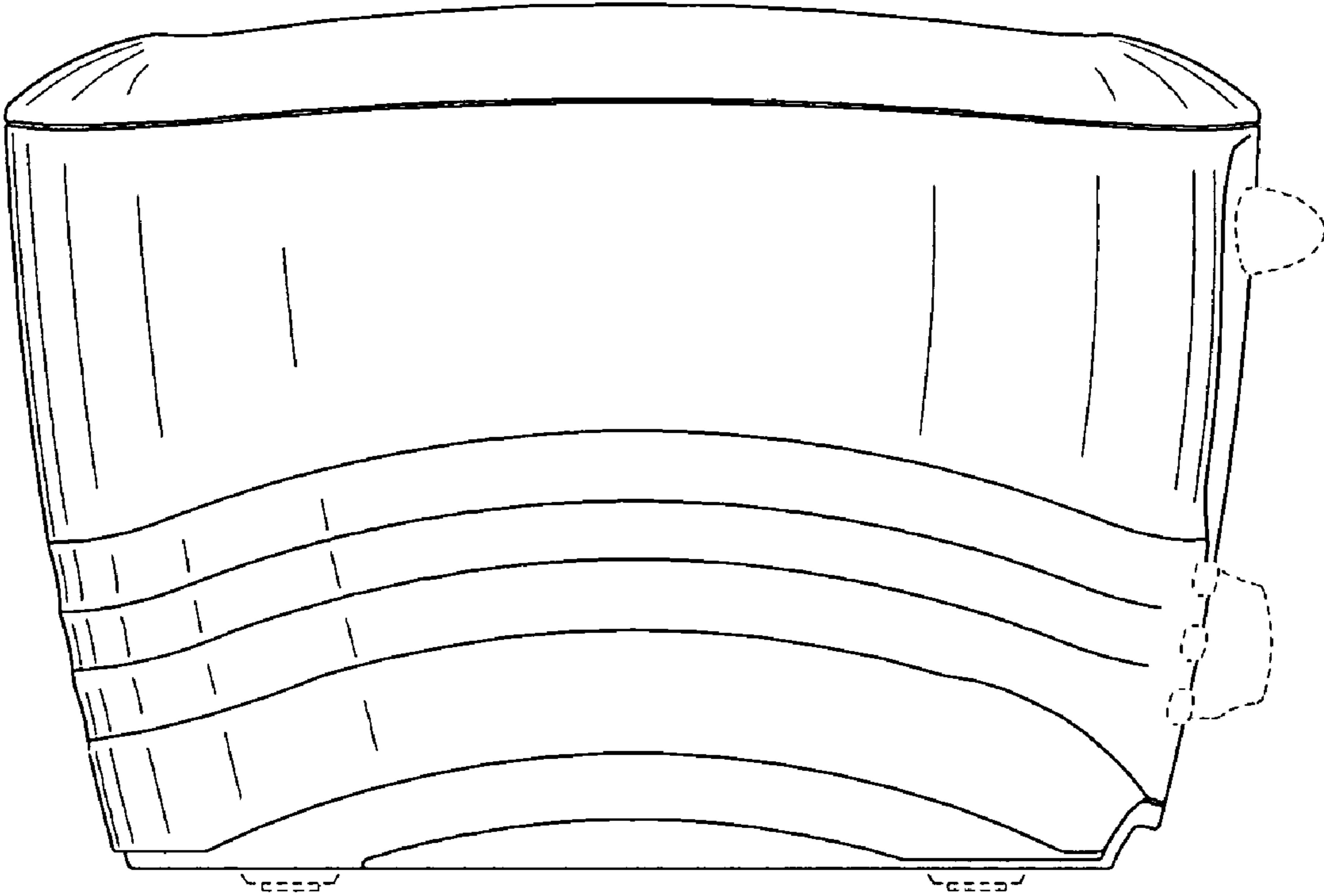


FIG 2

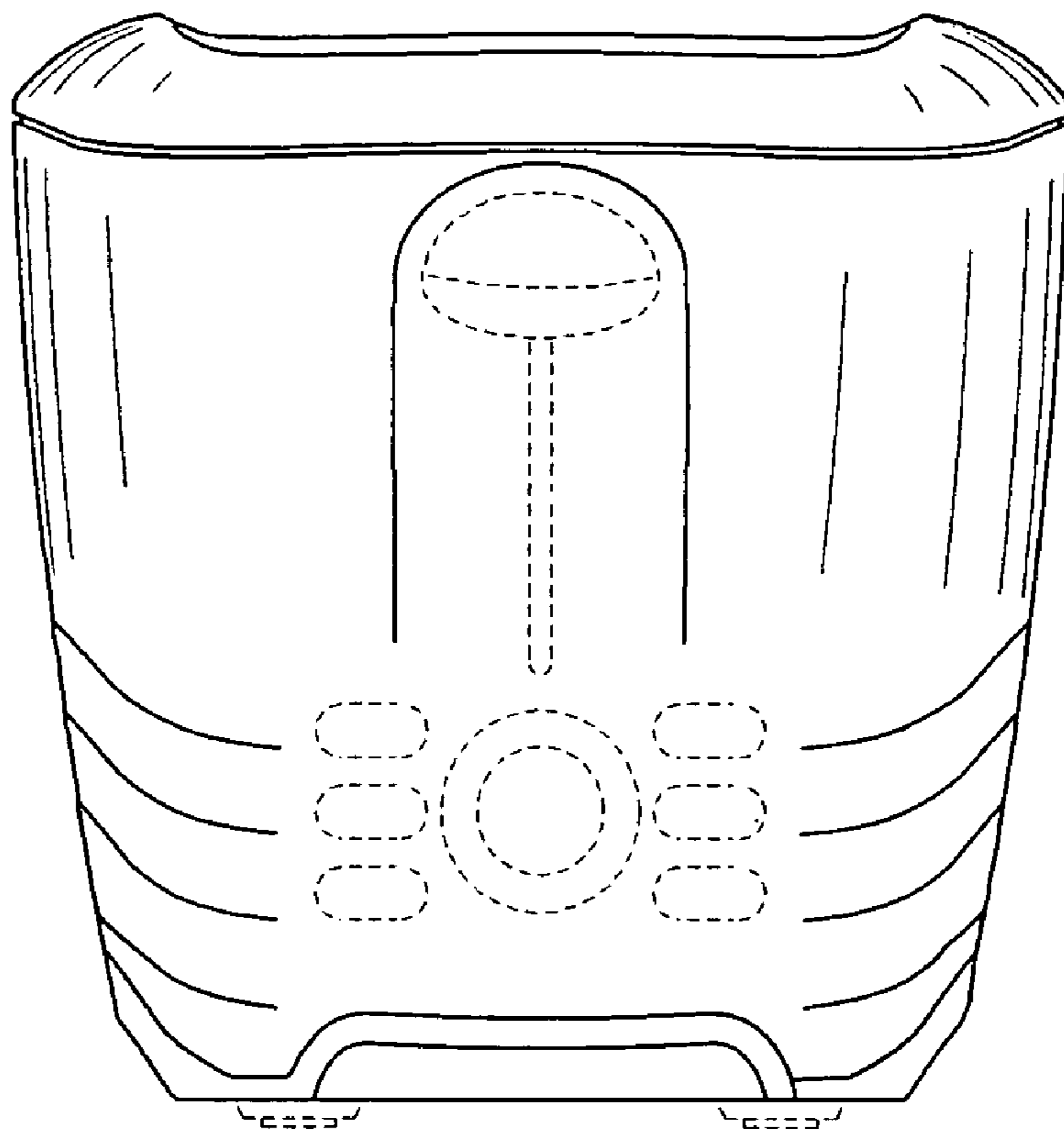


FIG 3

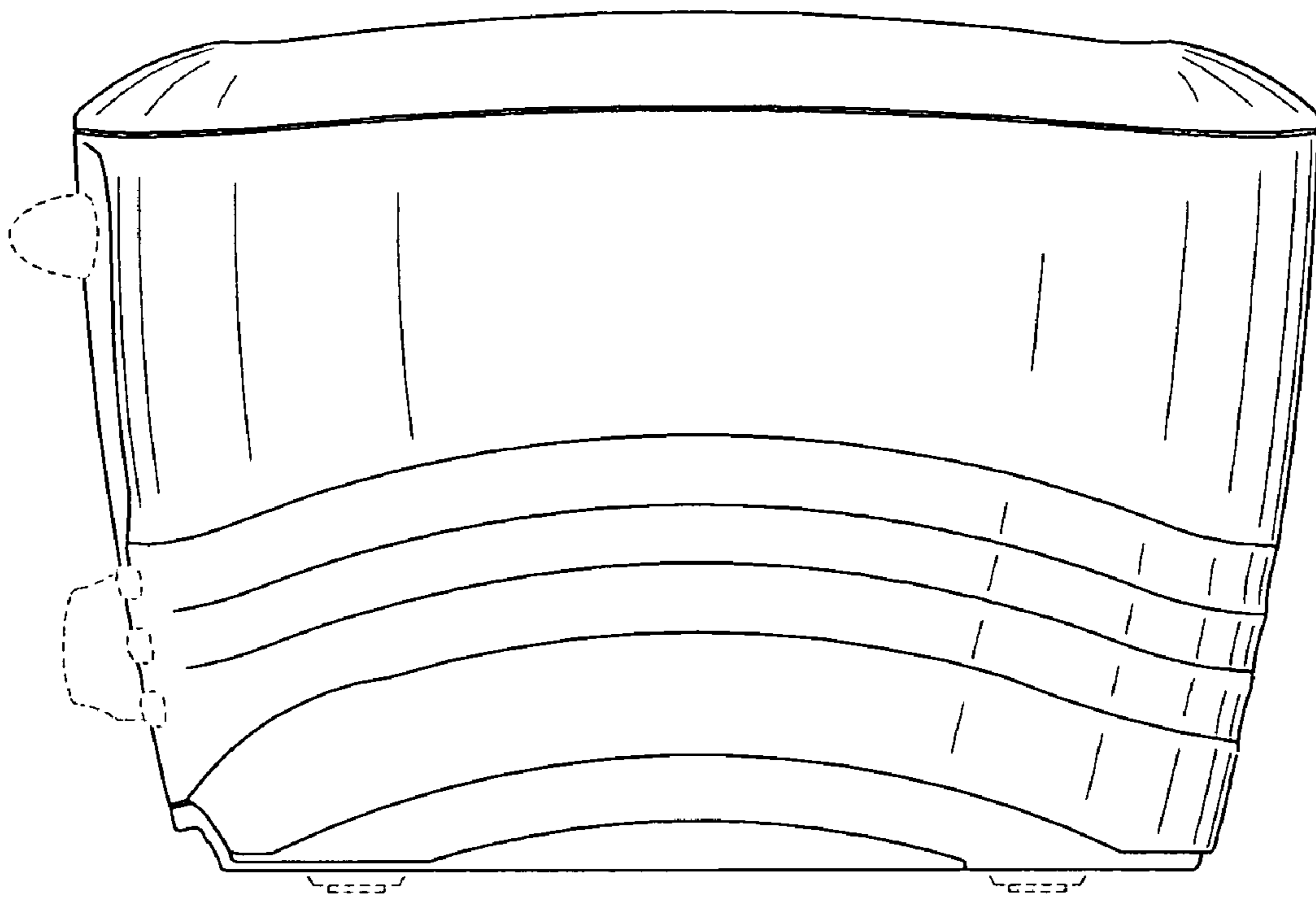


FIG 4

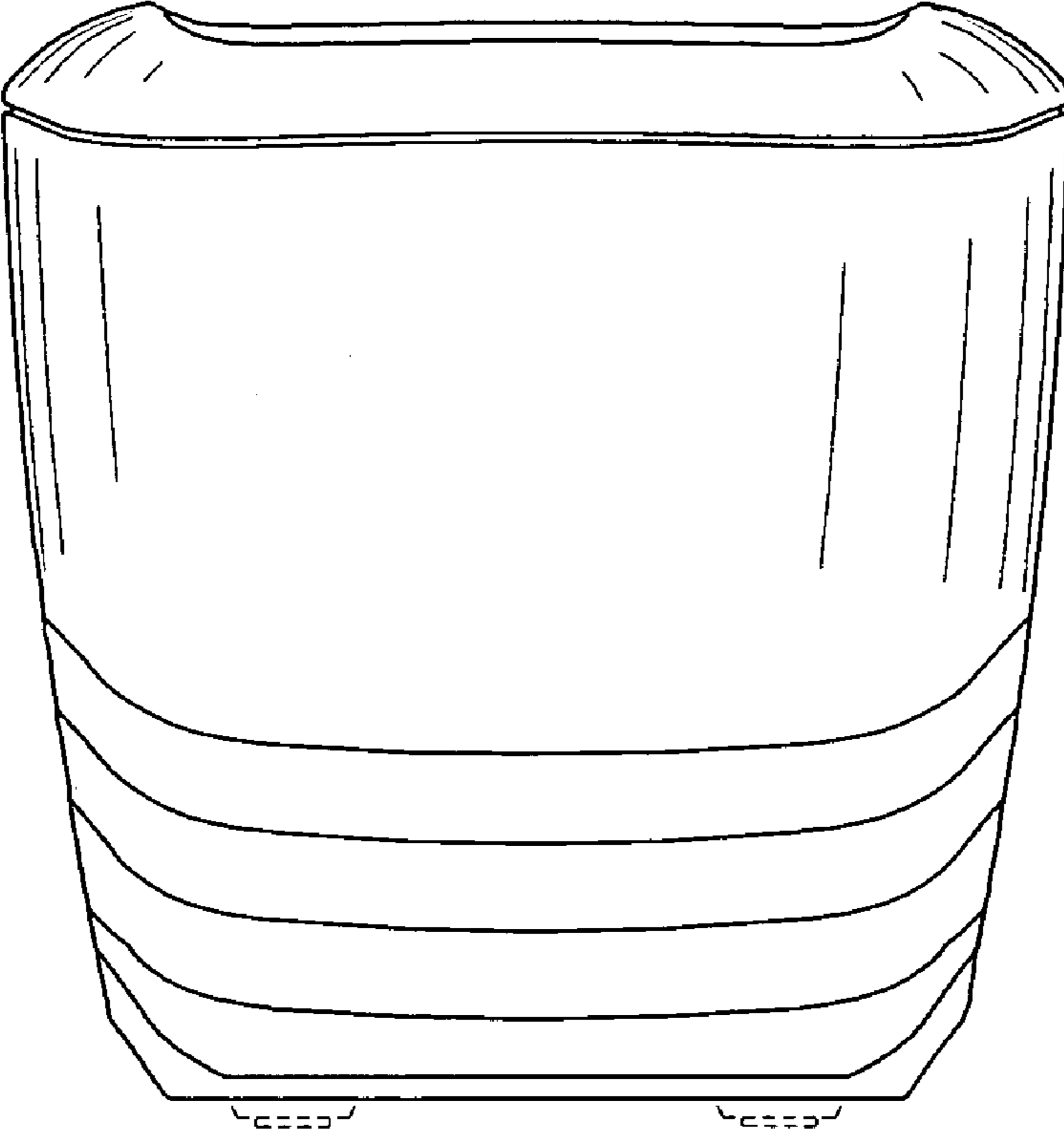


FIG 5

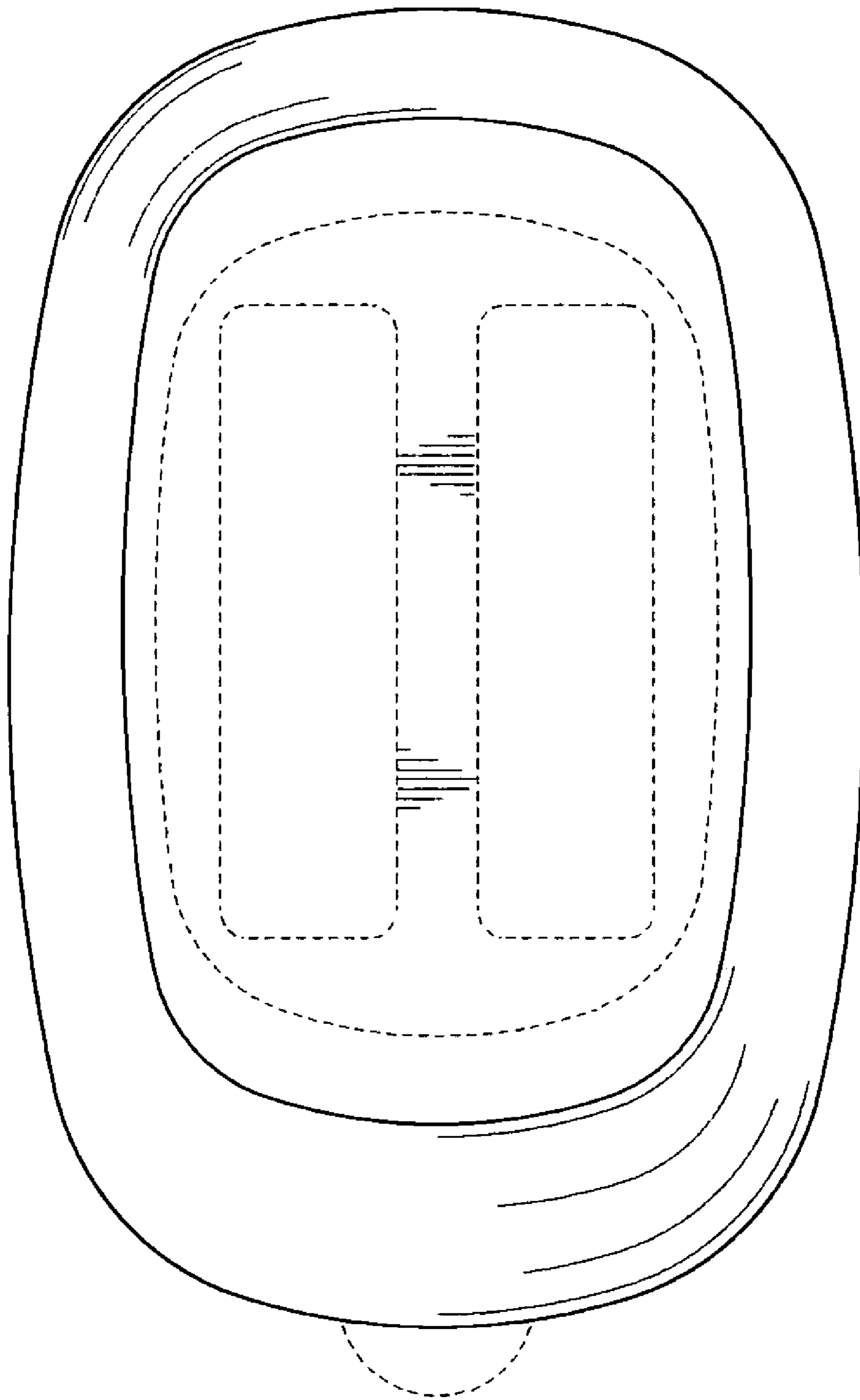


FIG 6