



US00D553415S

(12) **United States Design Patent**
Steele

(10) **Patent No.:** **US D553,415 S**

(45) **Date of Patent:** **** Oct. 23, 2007**

(54) **STORAGE BOX FOR A DVD AND CD**

(76) Inventor: **Donna C. Steele**, 8863 Rancho Hills Dr., Gilroy, CA (US) 95020

(**) Term: **14 Years**

(21) Appl. No.: **29/216,792**

(22) Filed: **Nov. 10, 2004**

(51) **LOC (8) Cl.** **06-01**

(52) **U.S. Cl.** **D6/629; D19/27**

(58) **Field of Classification Search** D6/407,
D6/626, 629-634; 206/209, 307, 307.1,
206/308.1, 310, 311, 445, 232; 281/4, 3.1,
281/15.1, 29; D9/415, 420, 423, 432; D3/276,
D3/289, 294, 295; D19/26, 27, 33; D10/106;
402/79

See application file for complete search history.

(56) **References Cited**

U.S. PATENT DOCUMENTS

1,672,608	A *	6/1928	Friedman	281/3.1
D312,095	S *	11/1990	Mandel	D19/26
5,377,825	A	1/1995	Sykes et al.		
D369,106	S	4/1996	Baker et al.		
5,588,528	A *	12/1996	Ozeki	206/308.1
5,620,271	A *	4/1997	Bergh et al.	402/79
5,669,491	A	9/1997	Petty		
5,806,672	A	9/1998	Bosworth		
D399,528	S *	10/1998	Kramer	D19/33
D426,099	S *	6/2000	Udwin et al.	D6/626
6,099,187	A	8/2000	Youngs		

D434,262	S *	11/2000	Bergh et al.	D6/626
6,202,839	B1 *	3/2001	Petersen et al.	206/308.1
D441,591	S *	5/2001	Drew	D6/626
6,250,460	B1 *	6/2001	Dottel	206/308.1
6,419,083	B1 *	7/2002	Huang	206/308.1
6,634,493	B2 *	10/2003	Exline	206/232
D495,183	S *	8/2004	Hassett	D6/626
6,994,215	B2 *	2/2006	Kim	206/445

* cited by examiner

Primary Examiner—Ian Simmons

Assistant Examiner—Charles Hanson

(74) *Attorney, Agent, or Firm*—Theresa M. Seal

(57) **CLAIM**

The ornamental design for a storage box for a DVD and CD, as shown and described.

DESCRIPTION

FIG. 1 is a perspective view of a storage box for a DVD and CD, showing my new design;

FIG. 2 is a perspective view thereof, in an opened condition;

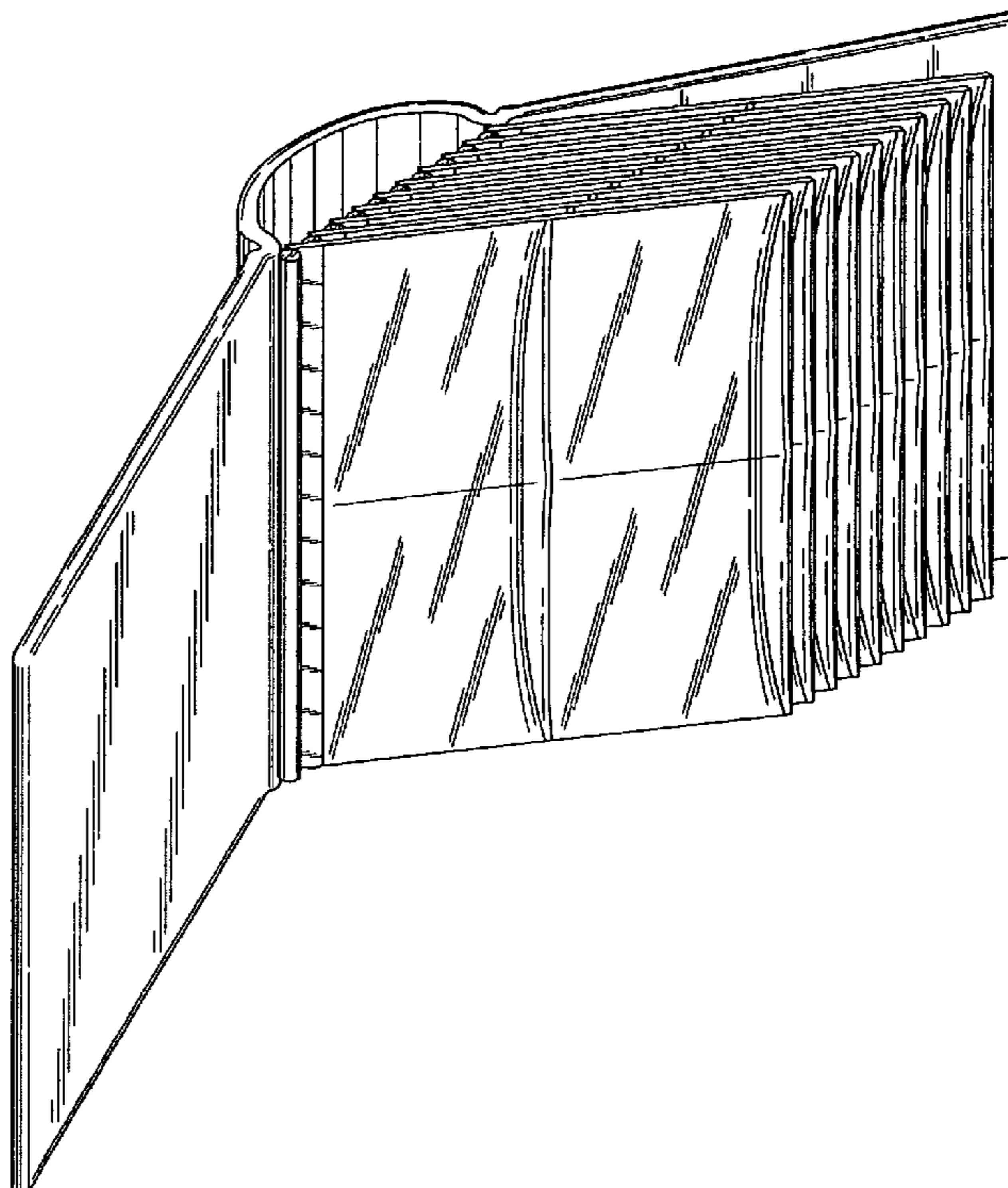
FIG. 3 is another perspective view thereof;

FIG. 4 is a rear perspective view thereof; and,

FIG. 5 is a top plan view thereof, the bottom plan being a mirror image.

The broken line showing is included for the purpose of illustrating environment and forms no part of the claimed design.

1 Claim, 5 Drawing Sheets



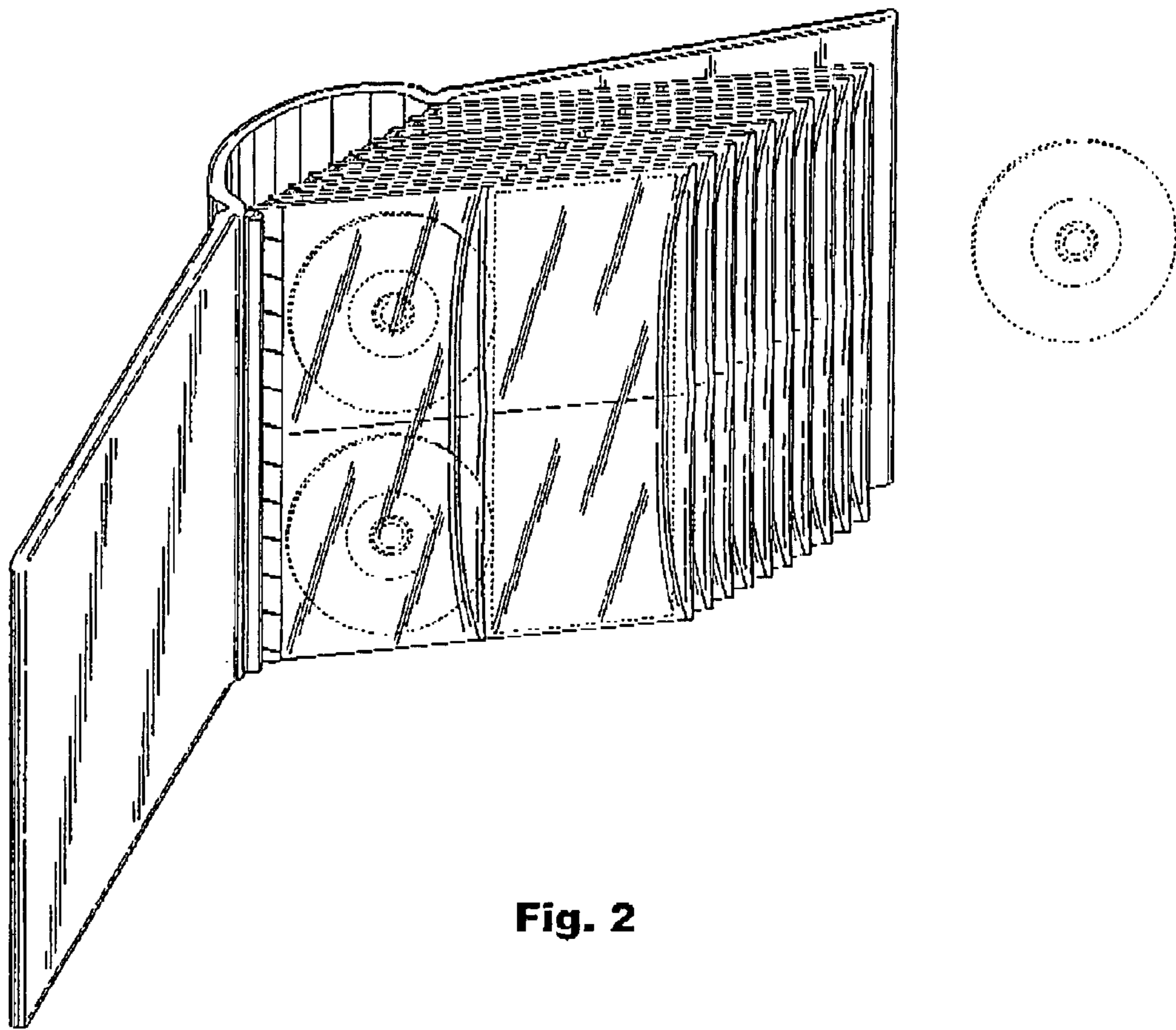


Fig. 2

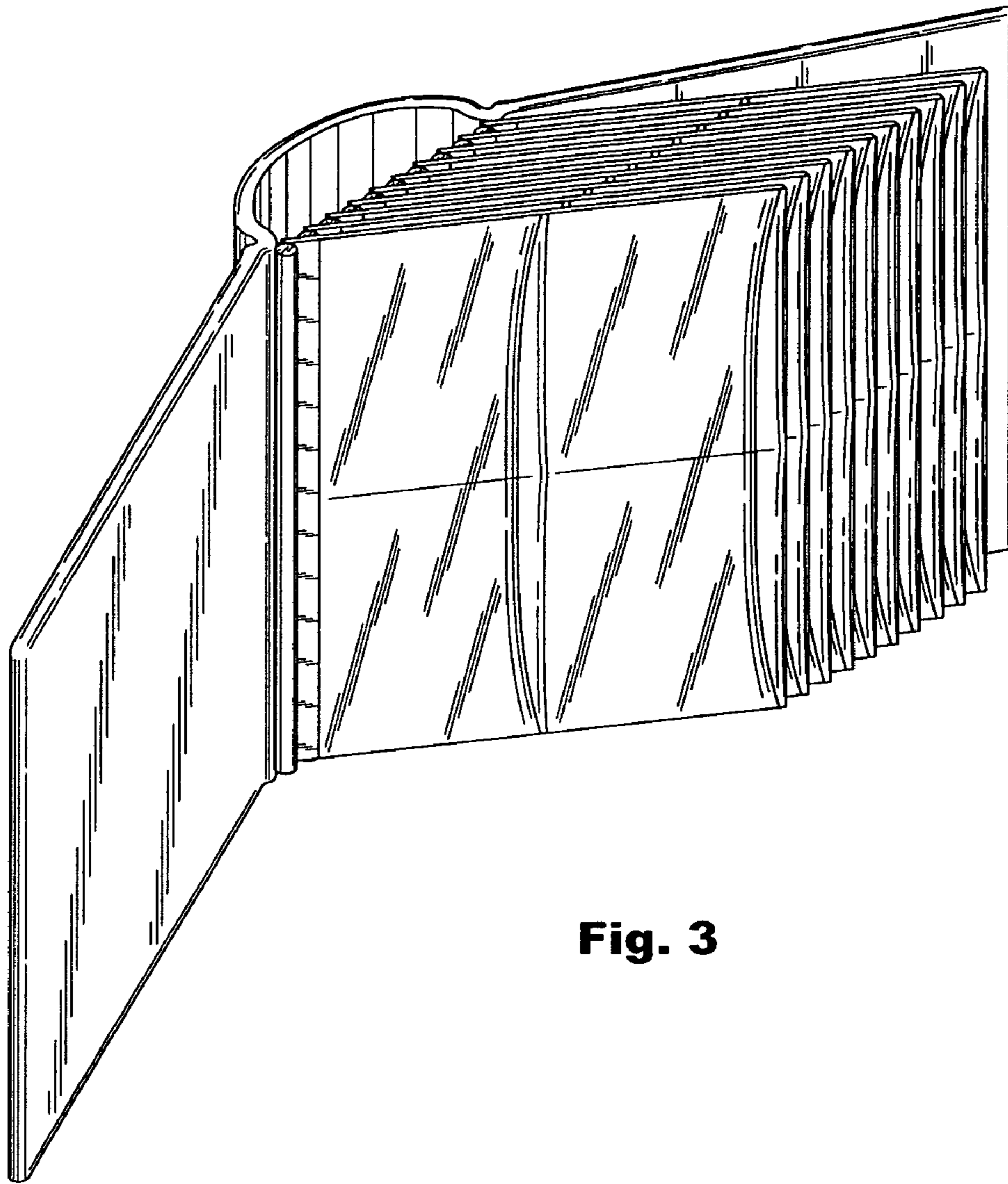


Fig. 3

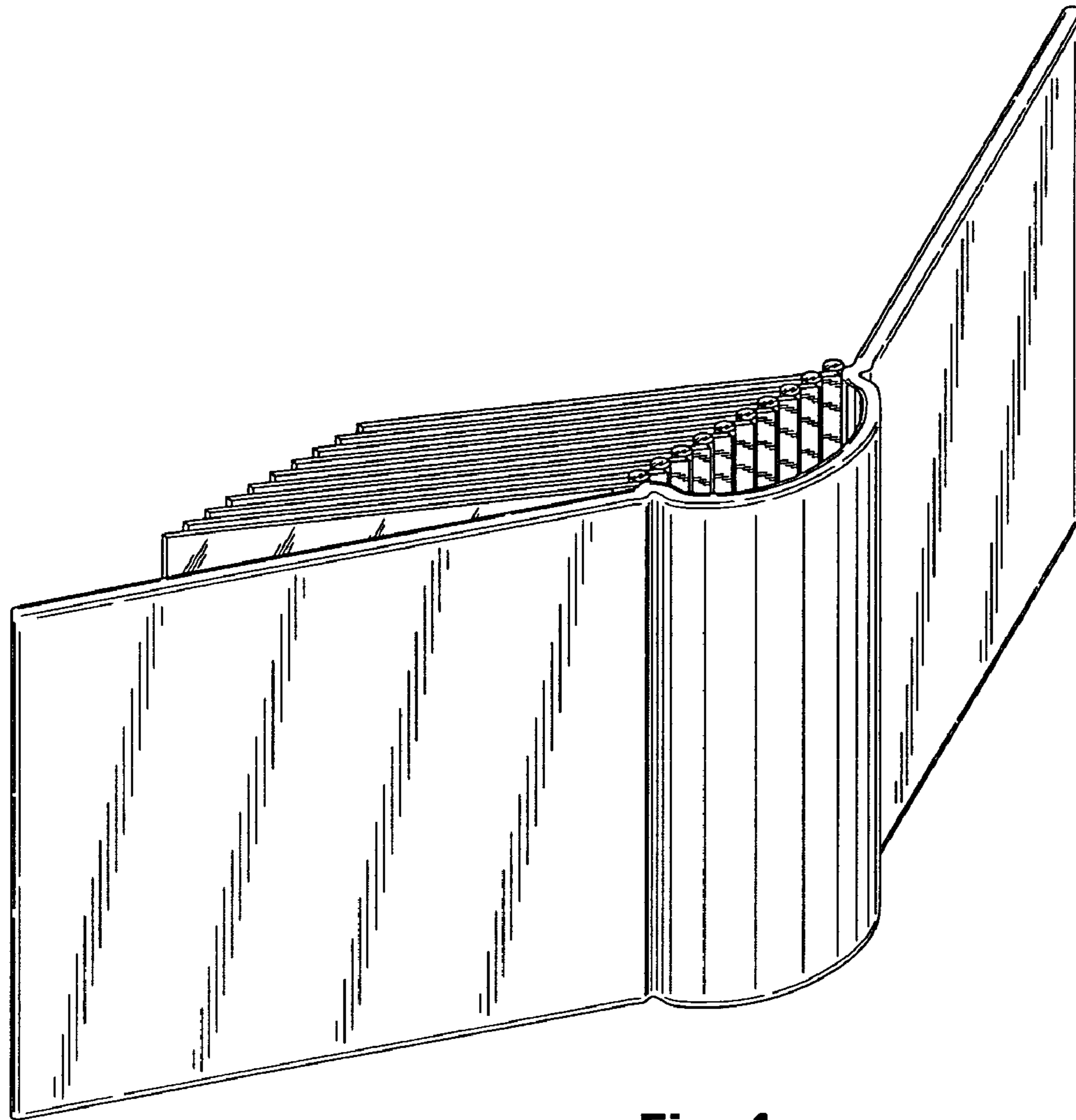


Fig. 4

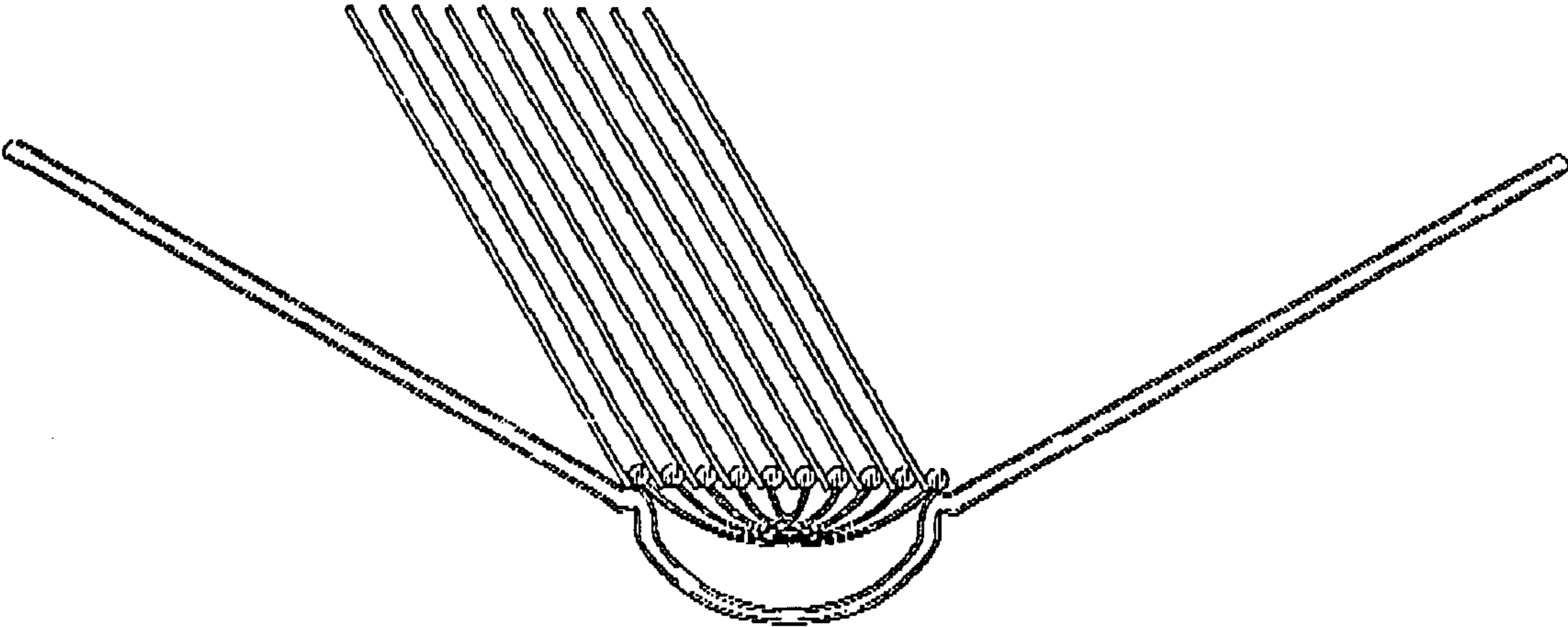


Fig. 5