



US00D553408S

(12) **United States Design Patent**
Kubota

(10) **Patent No.:** **US D553,408 S**

(45) **Date of Patent:** **** Oct. 23, 2007**

(54) **WALL HANGING ARTICLE KEEPER**

D489,927 S * 5/2004 Hoernig D6/574
D501,622 S * 2/2005 Hoernig D6/574

(75) Inventor: **Harunobu Kubota**, Tokyo (JP)

* cited by examiner

(73) Assignee: **Sugatsune Kogyo Co., Ltd.**,
Chiyoda-ku (JP)

Primary Examiner—Holly H. Baynham
(74) *Attorney, Agent, or Firm*—Bacon & Thomas, PLLC

(**) Term: **14 Years**

(57) **CLAIM**

(21) Appl. No.: **29/236,364**

The ornamental design for wall hanging article keeper, as shown and described.

(22) Filed: **Aug. 16, 2005**

(30) **Foreign Application Priority Data**

DESCRIPTION

Feb. 23, 2005 (JP) 2005-004896

FIG. 1 is a front view of wall hanging article keeper embodying my new design;

(51) **LOC (8) Cl.** **06-04**

FIG. 2 is a left side view thereof;

(52) **U.S. Cl.** **D6/553; D6/574**

FIG. 3 is a rear view thereof;

(58) **Field of Classification Search** D8/373,
D8/380; D6/553, 574; 211/90.01

FIG. 4 is a plan view thereof;

See application file for complete search history.

FIG. 5 is a bottom view thereof;

(56) **References Cited**

FIG. 6 is an environmental perspective view thereof; and,

U.S. PATENT DOCUMENTS

FIG. 7 is a reduced scale environmental perspective view.

- D146,280 S * 1/1947 Goddard D6/574
- D255,187 S * 6/1980 Hager D6/574
- D256,746 S * 9/1980 Loveson D6/574
- D314,115 S * 1/1991 Murphy D6/574
- D477,742 S * 7/2003 Hoernig D6/574

The broken line showing of partial structure and a hook is included for the purpose of illustrating environment and forms no part of the claimed design.

1 Claim, 3 Drawing Sheets

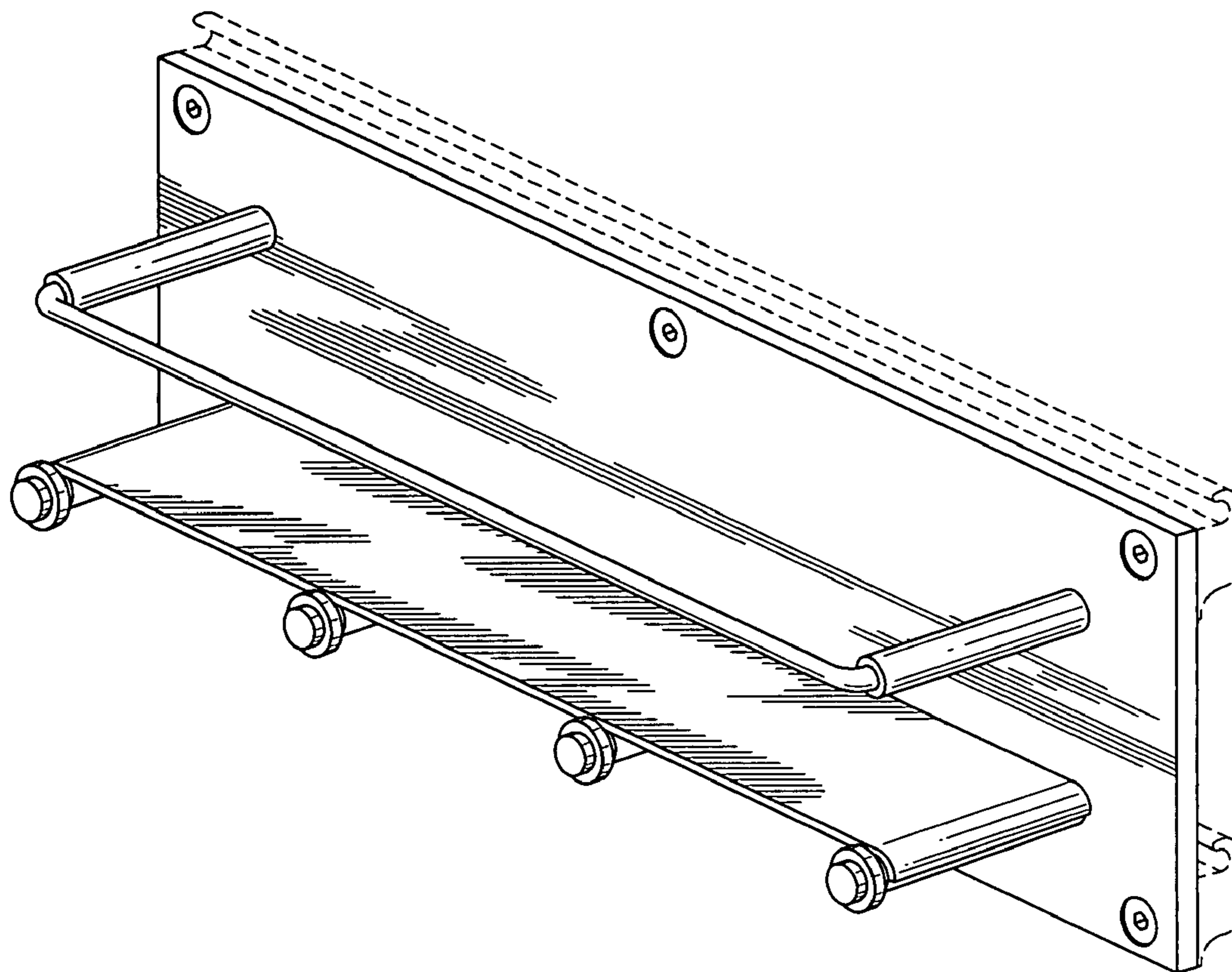


FIG. 1

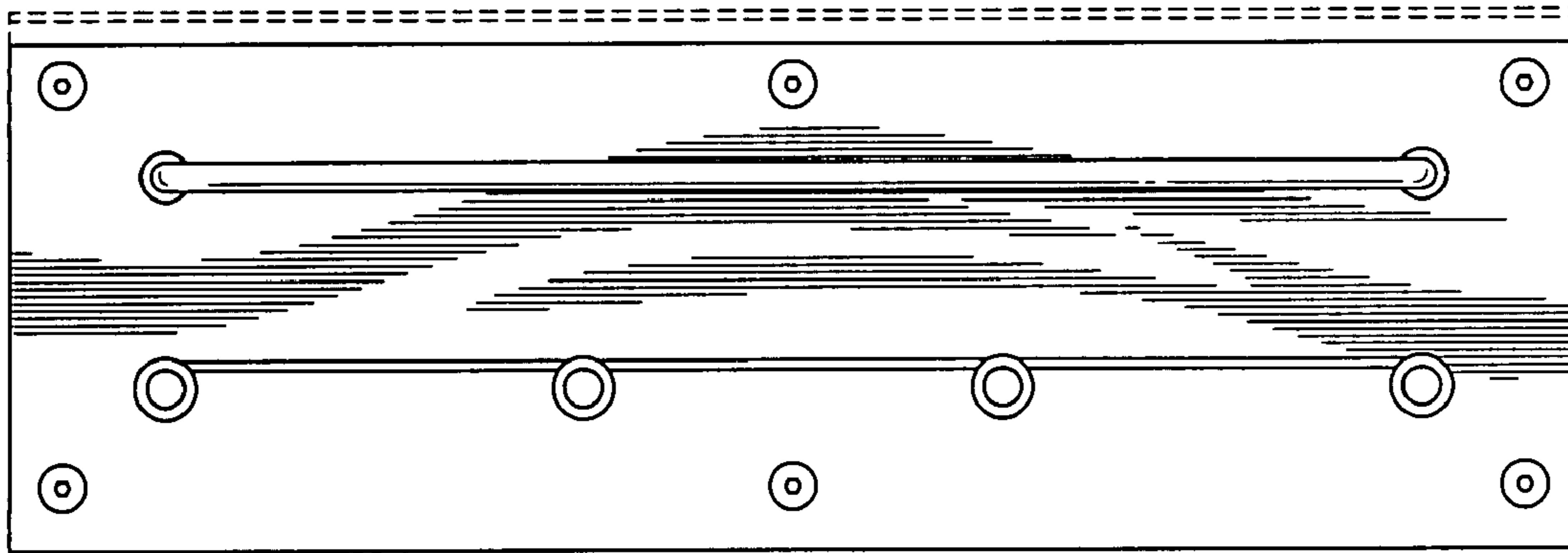


FIG. 2

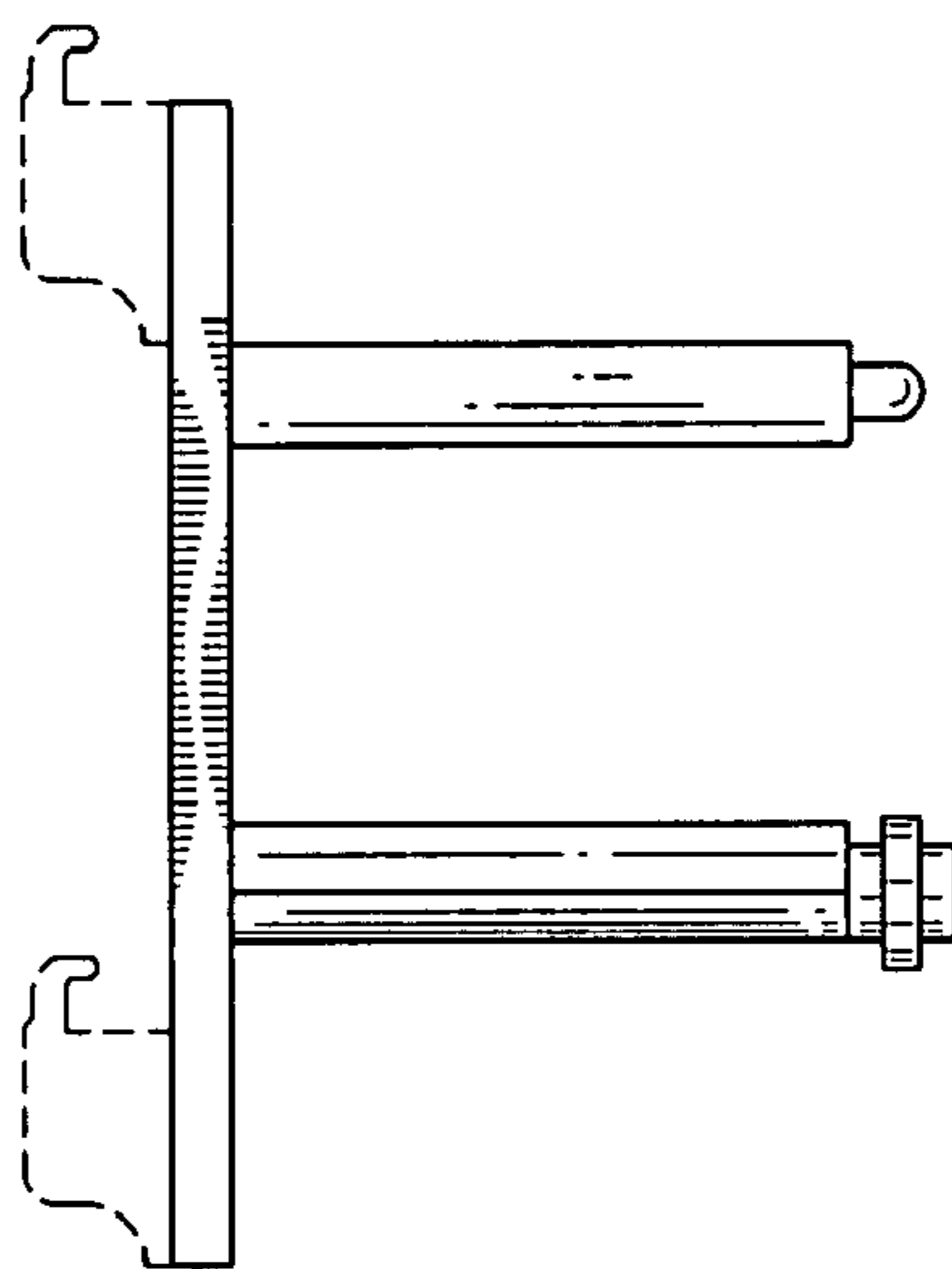


FIG. 3

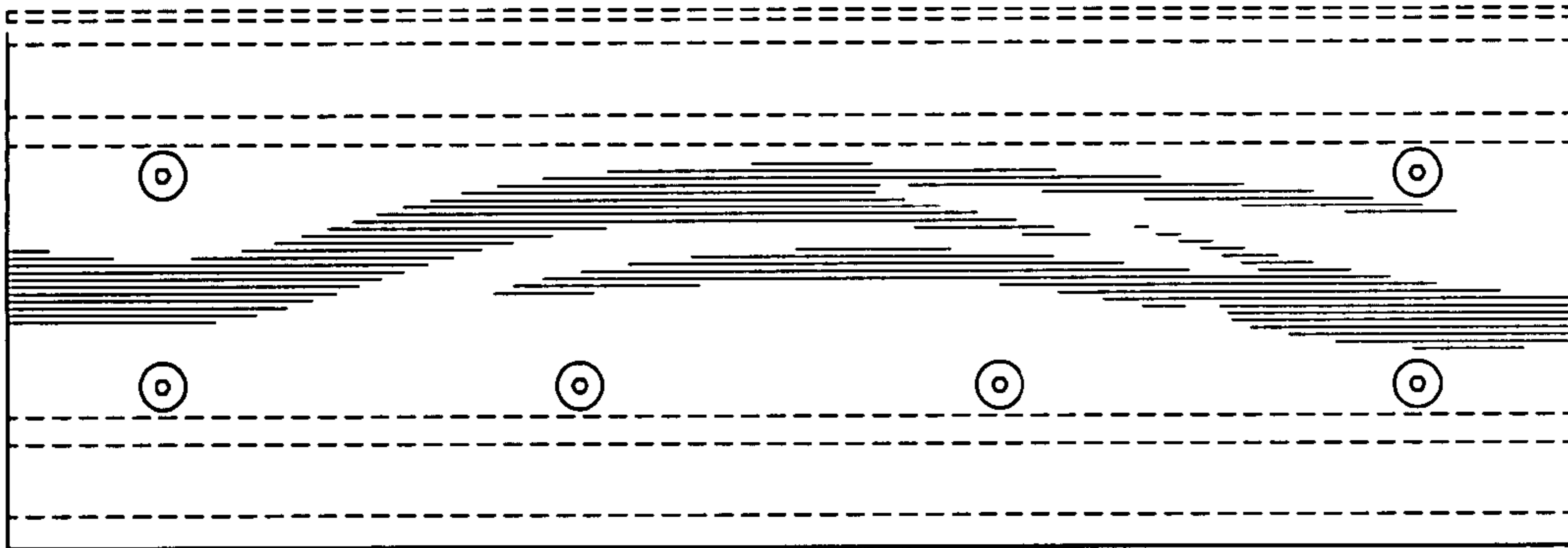


FIG. 4

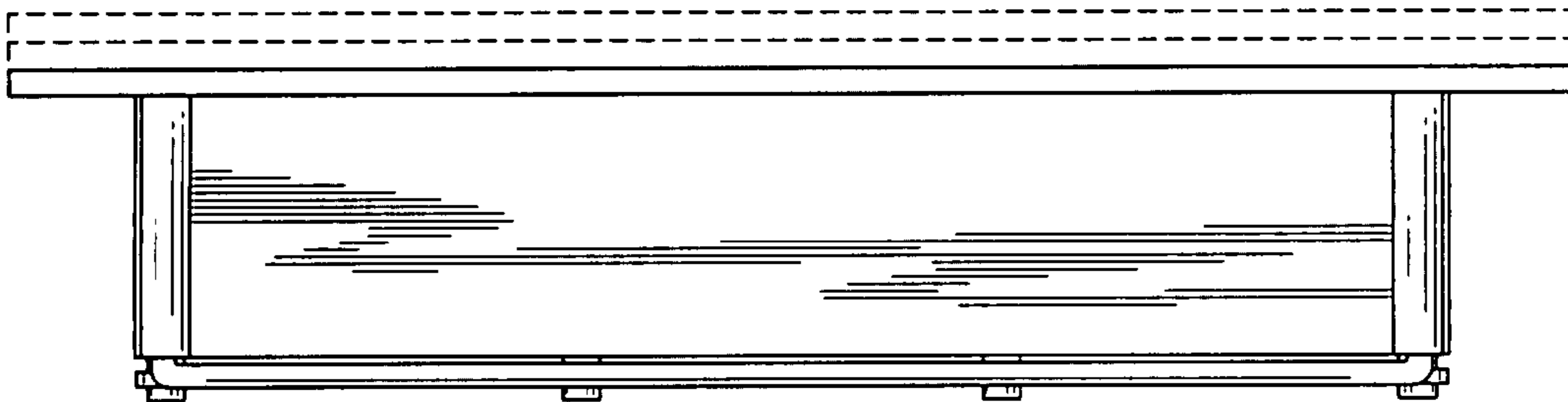
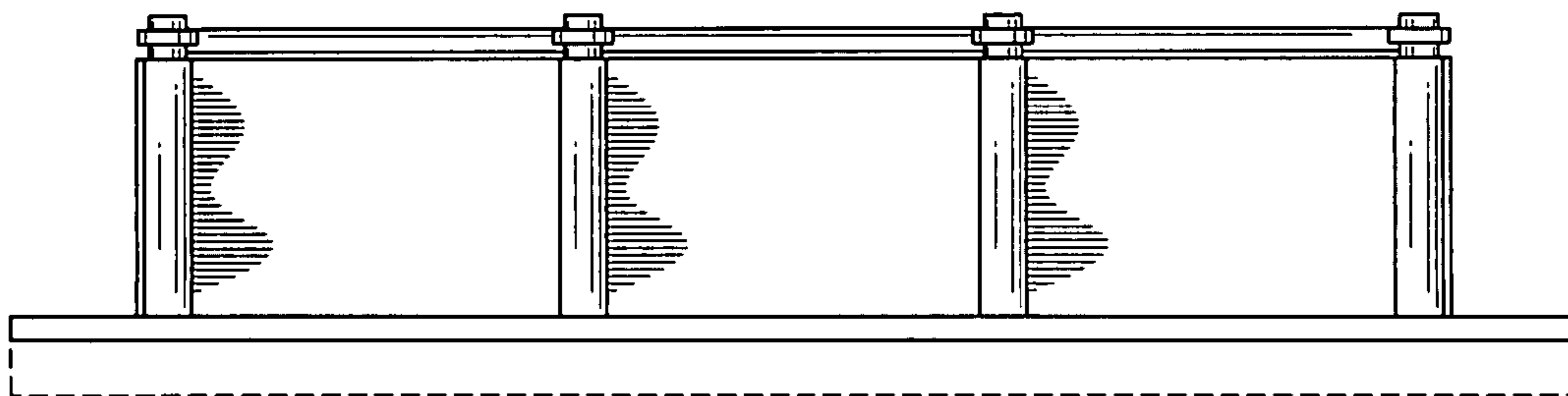


FIG. 5



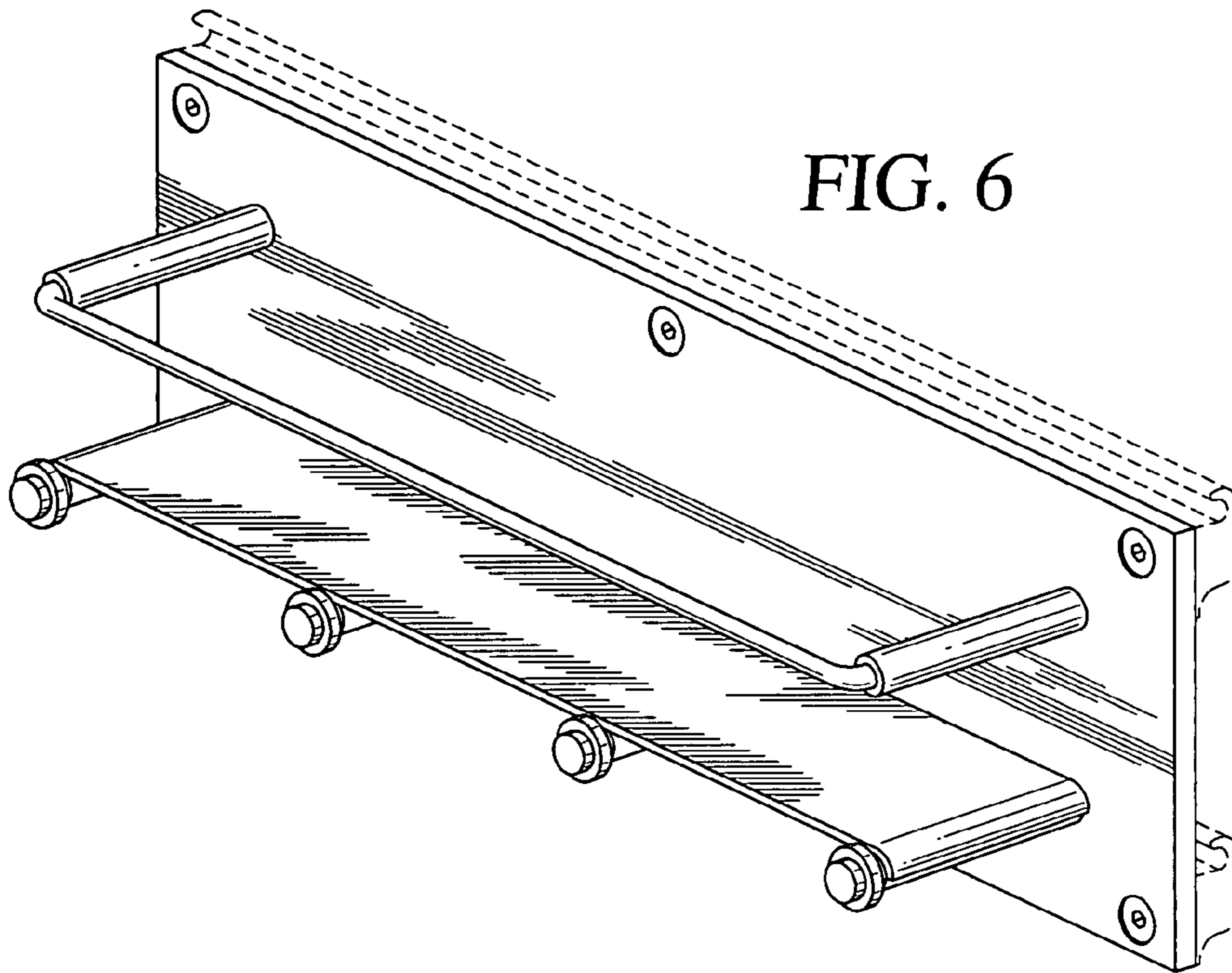


FIG. 6

FIG. 7

