



US00D553400S

(12) **United States Design Patent**  
**Kassanoff et al.**

(10) **Patent No.:** **US D553,400 S**  
(45) **Date of Patent:** **\*\* Oct. 23, 2007**

(54) **COMPUTER DESKTOP**

(75) Inventors: **Richard L. Kassanoff**, Dallas, TX  
(US); **Judson D. Butler**, Wylie, TX  
(US)

(73) Assignee: **Paragon Furniture**, Arlington, TX  
(US)

(\*\*) Term: **14 Years**

(21) Appl. No.: **29/233,563**

(22) Filed: **Jul. 6, 2005**

(51) **LOC (8) Cl.** ..... **06-06**

(52) **U.S. Cl.** ..... **D6/511**

(58) **Field of Classification Search** ..... D6/480-489,  
D6/511, 429, 422, 423; 108/150, 153.1,  
108/155, 156, 157.1, 161, 50.01, 50.02, 25  
See application file for complete search history.

(56) **References Cited**

**U.S. PATENT DOCUMENTS**

3,380,402	A *	4/1968	Simpson	.....	108/25
5,694,861	A *	12/1997	Laukamm-Josten	.....	108/50.01
6,016,755	A *	1/2000	Trapani	.....	108/50.01
D432,809	S *	10/2000	Hewitt	.....	D6/396
D466,727	S *	12/2002	Abboud et al.	.....	D6/486
2006/0191445	A1 *	8/2006	Stengel et al.	.....	108/50.01

\* cited by examiner

*Primary Examiner*—Janice E. Seeger

(74) *Attorney, Agent, or Firm*—Michael A. O’Neil

(57) **CLAIM**

The ornamental design for a computer desktop, as shown and described.

**DESCRIPTION**

FIG. 1 is a bottom perspective view of a computer desktop which embodies a first embodiment of the present design shown in full lines, the items shown in broken lines are depicted for illustrative purposes only and form no part of the claimed design;

FIG. 2 is a front view of the computer desktop shown in FIG. 1;

FIG. 3 is a right side view of the computer desktop shown in FIG. 1;

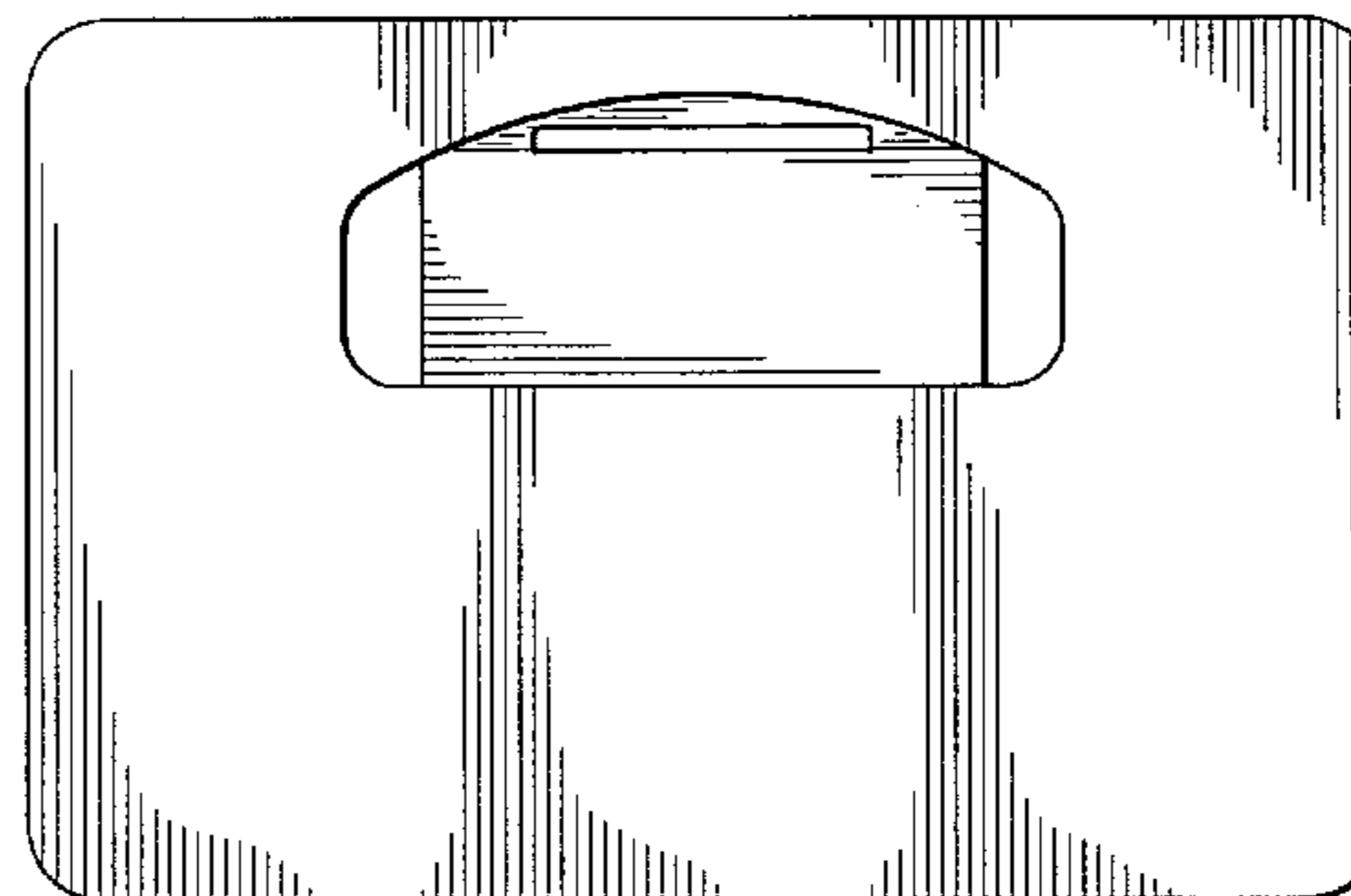
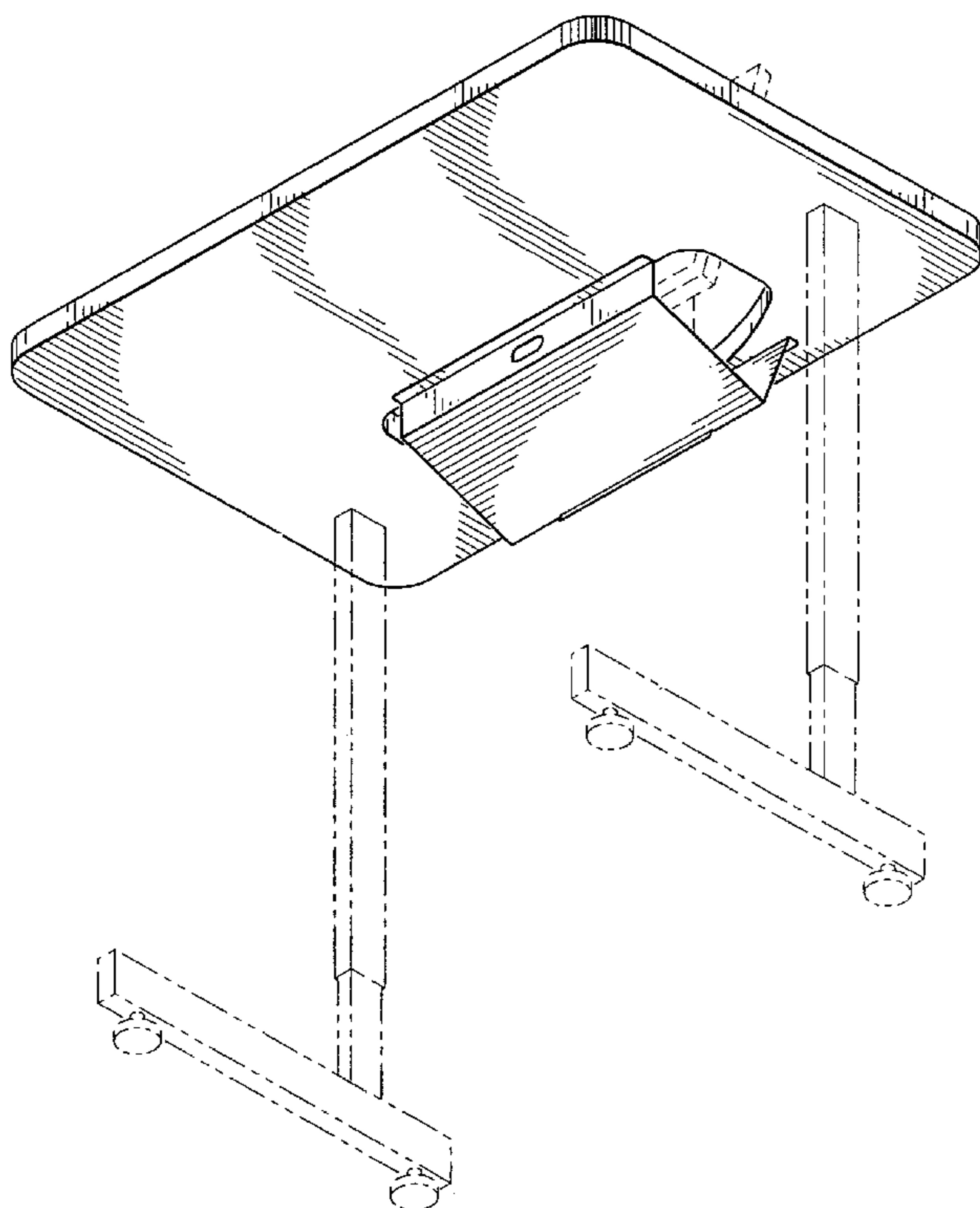
FIG. 4 is a left side view of the computer desktop shown in FIG. 1;

FIG. 5 is a back view of the computer desktop shown in FIG. 1;

FIG. 6 is a top view of the computer desktop shown in FIG. 1; and,

FIG. 7 is a bottom view of the computer desktop shown in FIG. 1.

**1 Claim, 3 Drawing Sheets**



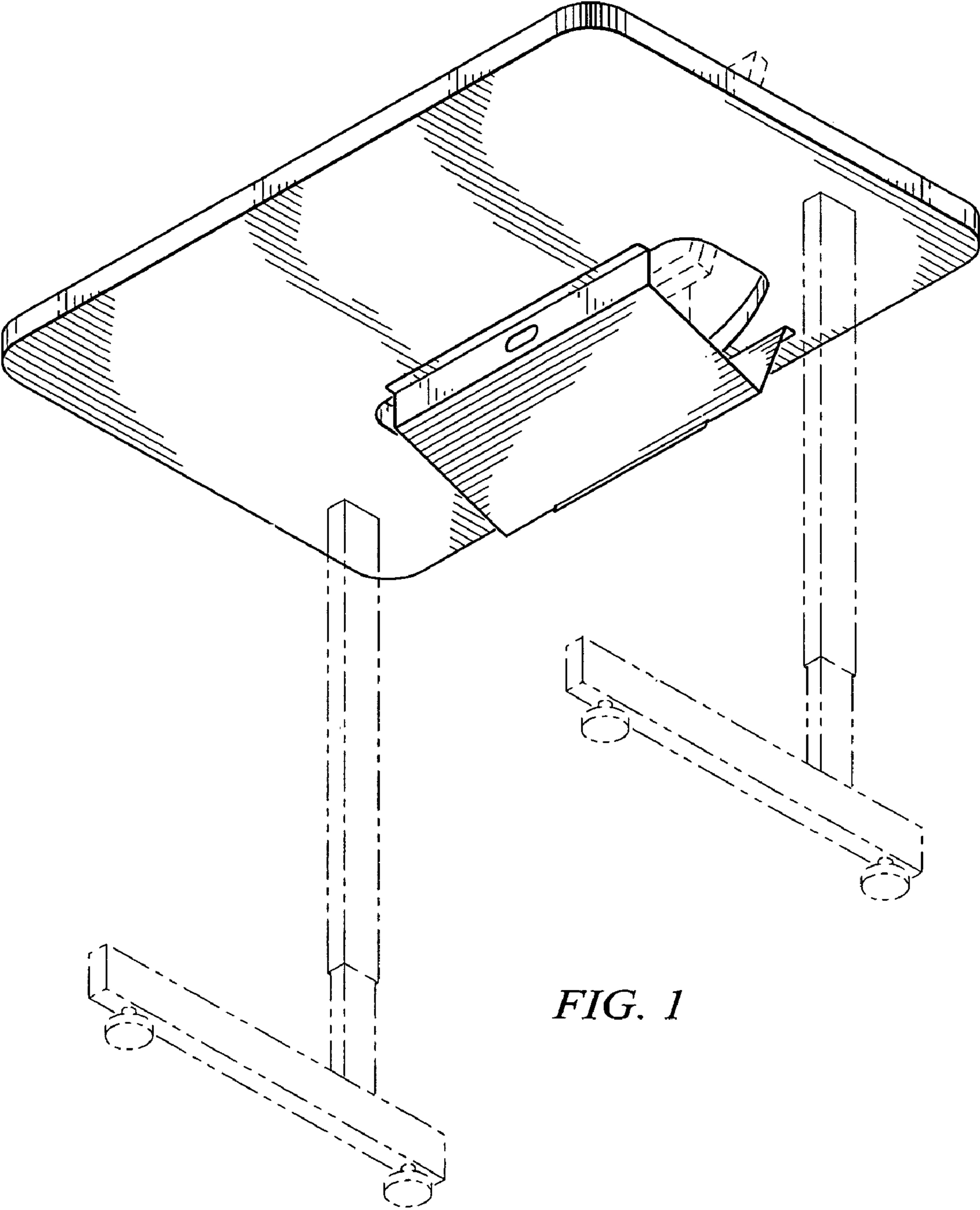
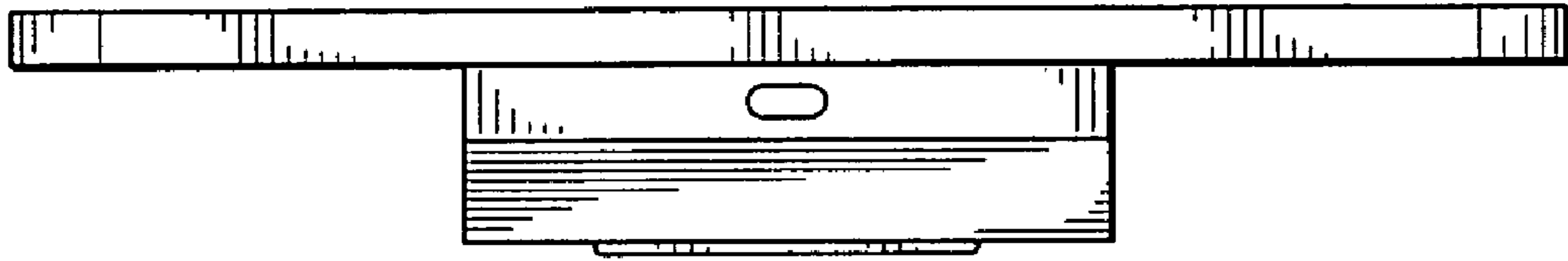


FIG. 1



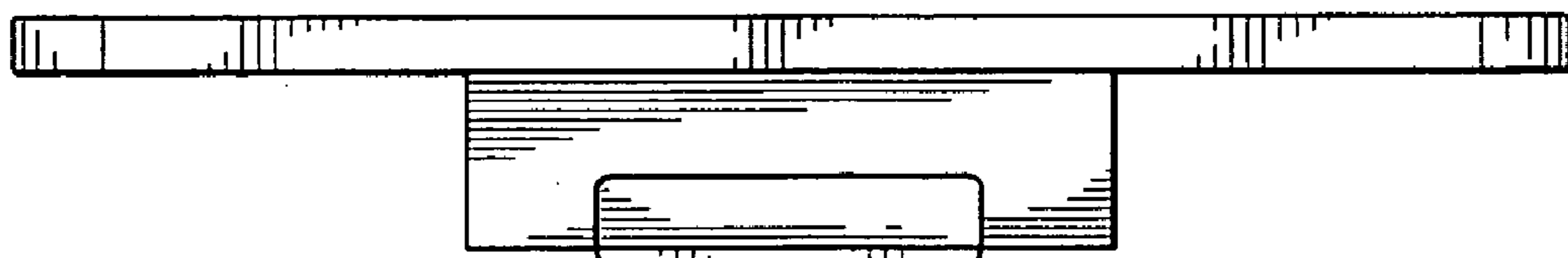
*FIG. 2*



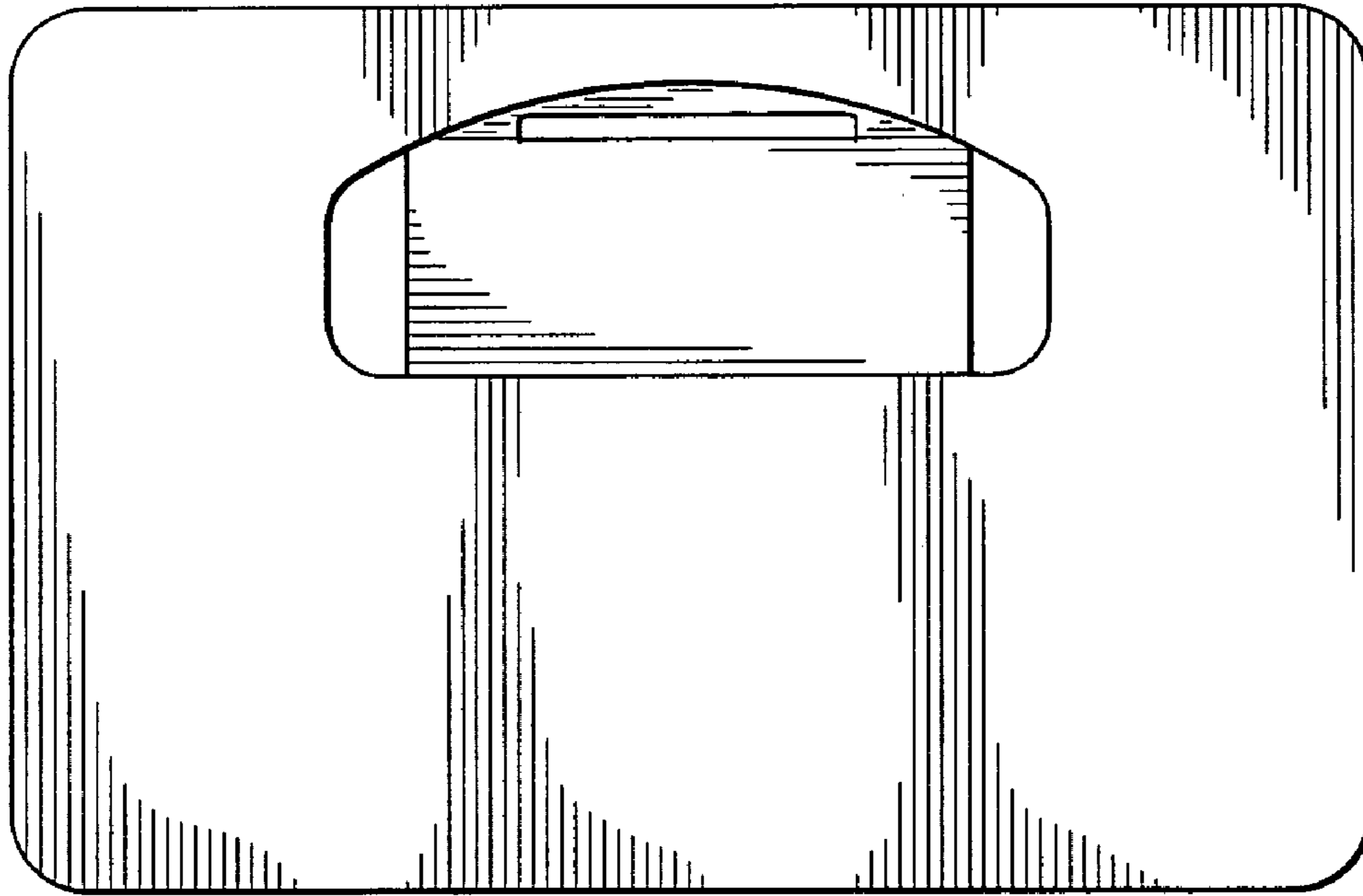
*FIG. 3*



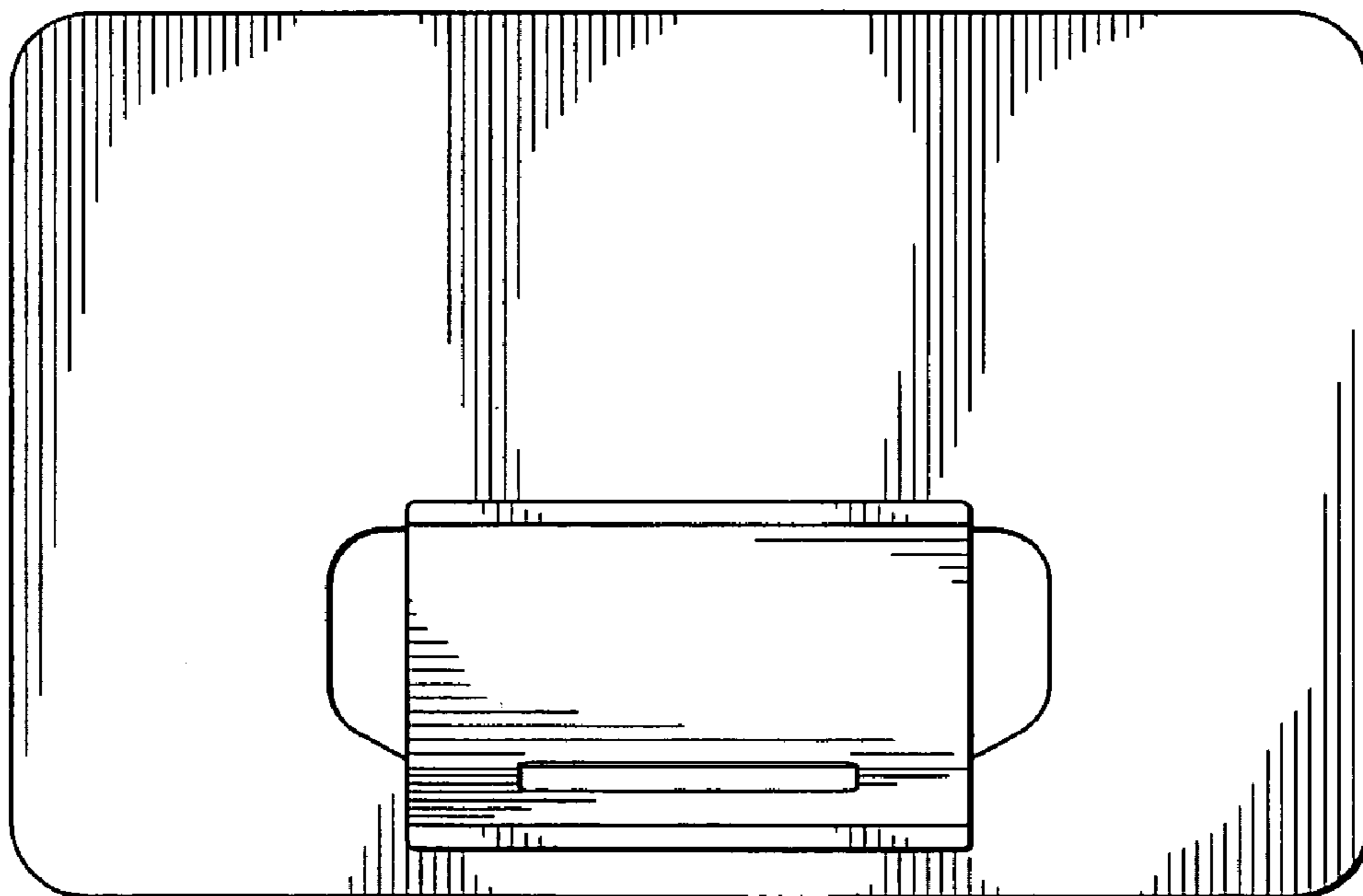
*FIG. 4*



*FIG. 5*



*FIG. 6*



*FIG. 7*