



US00D553398S

(12) **United States Design Patent**
LeTourneau

(10) **Patent No.:** **US D553,398 S**

(45) **Date of Patent:** **** Oct. 23, 2007**

(54) **SUPPORT**

(75) Inventor: **Alex LeTourneau**, Sheboygan, WI (US)

(73) Assignee: **Kohler Co.**, Kohler, WI (US)

(**) Term: **14 Years**

(21) Appl. No.: **29/258,349**

(22) Filed: **Apr. 20, 2006**

(51) **LOC (8) Cl.** **06-06**

(52) **U.S. Cl.** **D6/484; D23/286**

(58) **Field of Classification Search** D6/480-489,
D6/495-499, 477, 479, 465; D23/286; 108/150,
108/153.1, 155, 157.1, 161; 248/188, 188.1,
248/188.8

See application file for complete search history.

(56) **References Cited**

U.S. PATENT DOCUMENTS

3,910,206	A *	10/1975	Jay	108/159
D238,129	S *	12/1975	Jay	D6/484
D270,410	S *	9/1983	Sogoian	D6/480
D373,270	S *	9/1996	Alexander et al.	D6/487

OTHER PUBLICATIONS

Empire Industries, "Wrought Iron Console", Model 104F.
JCPenny Home Collection, "Isabella 3-Piece Vanity Set". Model
No. ASIN: B000ANDEJQ.
Kohler Co., "Cattails Iron Console Table".
American Standard, "Retrospect Console Table with Satin Legs".
Model No. 7812.295.020.

Kohler Co., "Memoirs Table Legs". Model No. K-6880. Online
catalog.

* cited by examiner

Primary Examiner—Janice E. Seeger

(74) *Attorney, Agent, or Firm*—Quarles & Brady LLP

(57) **CLAIM**

The ornamental design for a support, as shown and
described.

DESCRIPTION

In a preferred embodiment, the nature of this product is as
a support for a plumbing fixture, such as a table base for a
lavatory.

FIG. 1 is a left, top, front perspective view of a support
embodying my new design;

FIG. 2 front elevational view thereof;

FIG. 3 is a left side elevational view thereof;

FIG. 4 is a right side elevational view thereof;

FIG. 5 is a top plan view thereof;

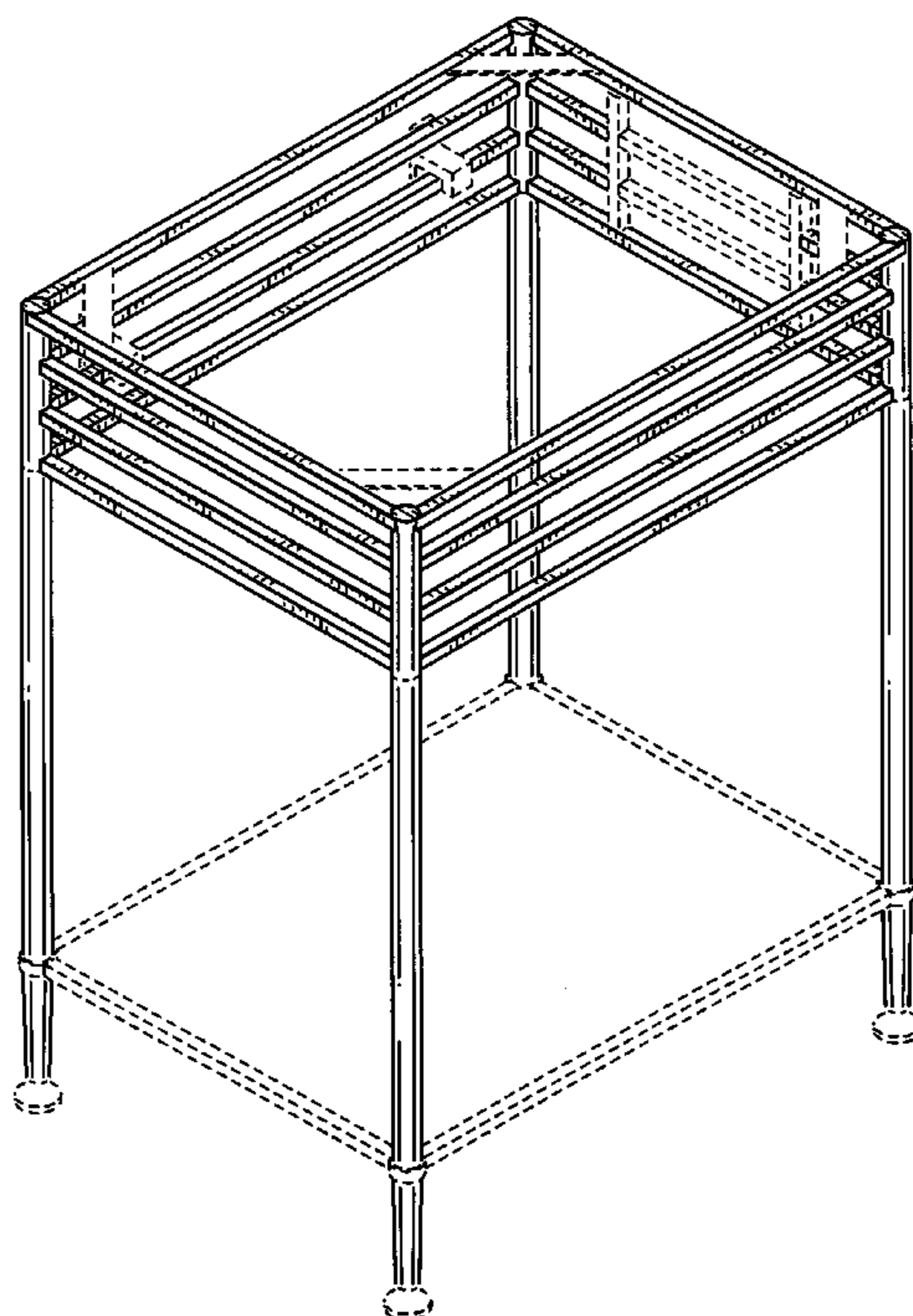
FIG. 6 is a bottom plan view thereof;

FIG. 7 is a left, top, front perspective view of a support
according to another embodiment of my new design, the
front elevational, left side elevational, top plan and bottom
plan views thereof being identical to FIGS. 2-6; and,

FIG. 8 is a right side elevational view thereof.

The broken line representations of brackets, footings and
wall structure in the figures, are for the purpose of illustra-
tion only, and form no part of the claimed design.

1 Claim, 7 Drawing Sheets



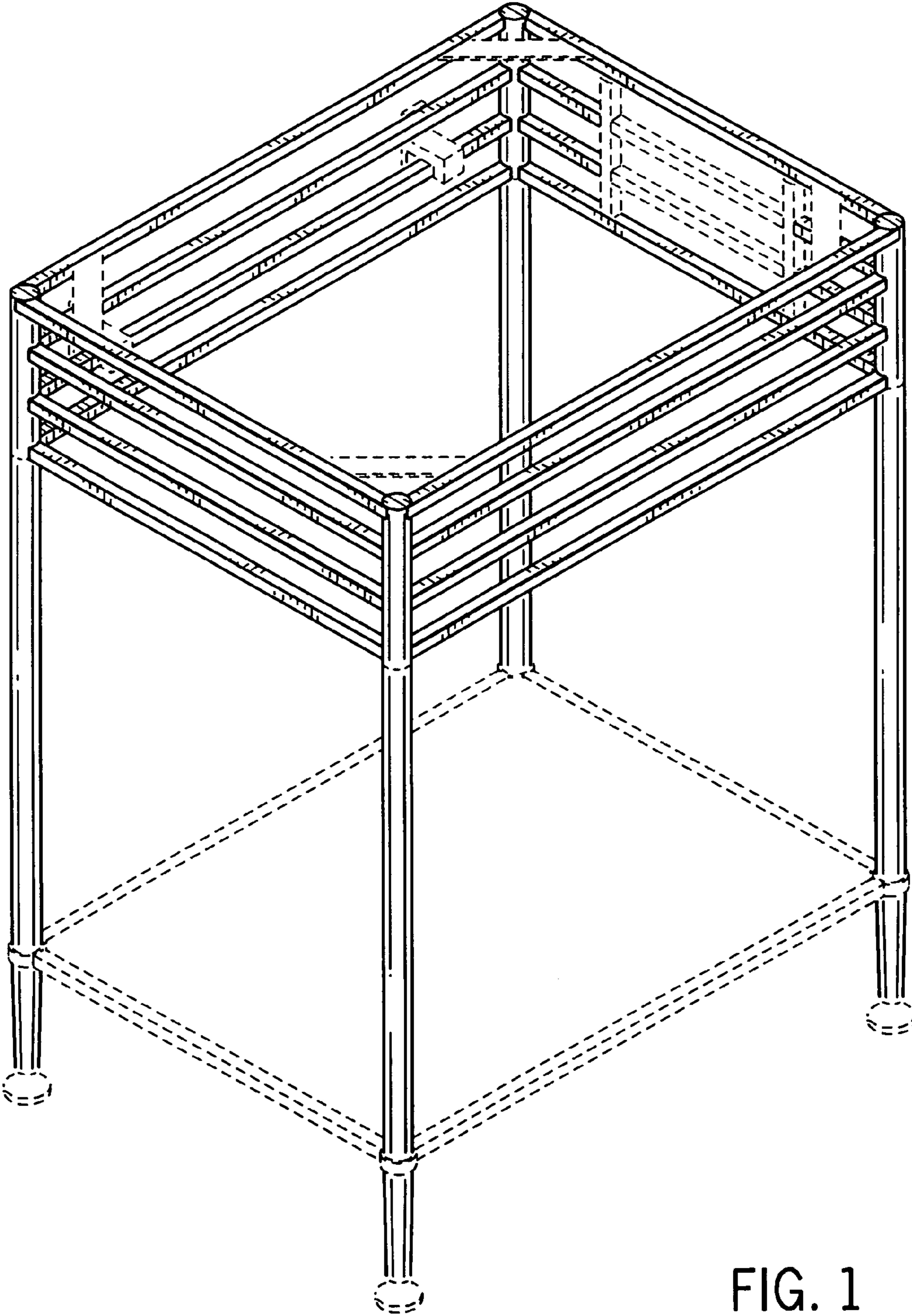


FIG. 1

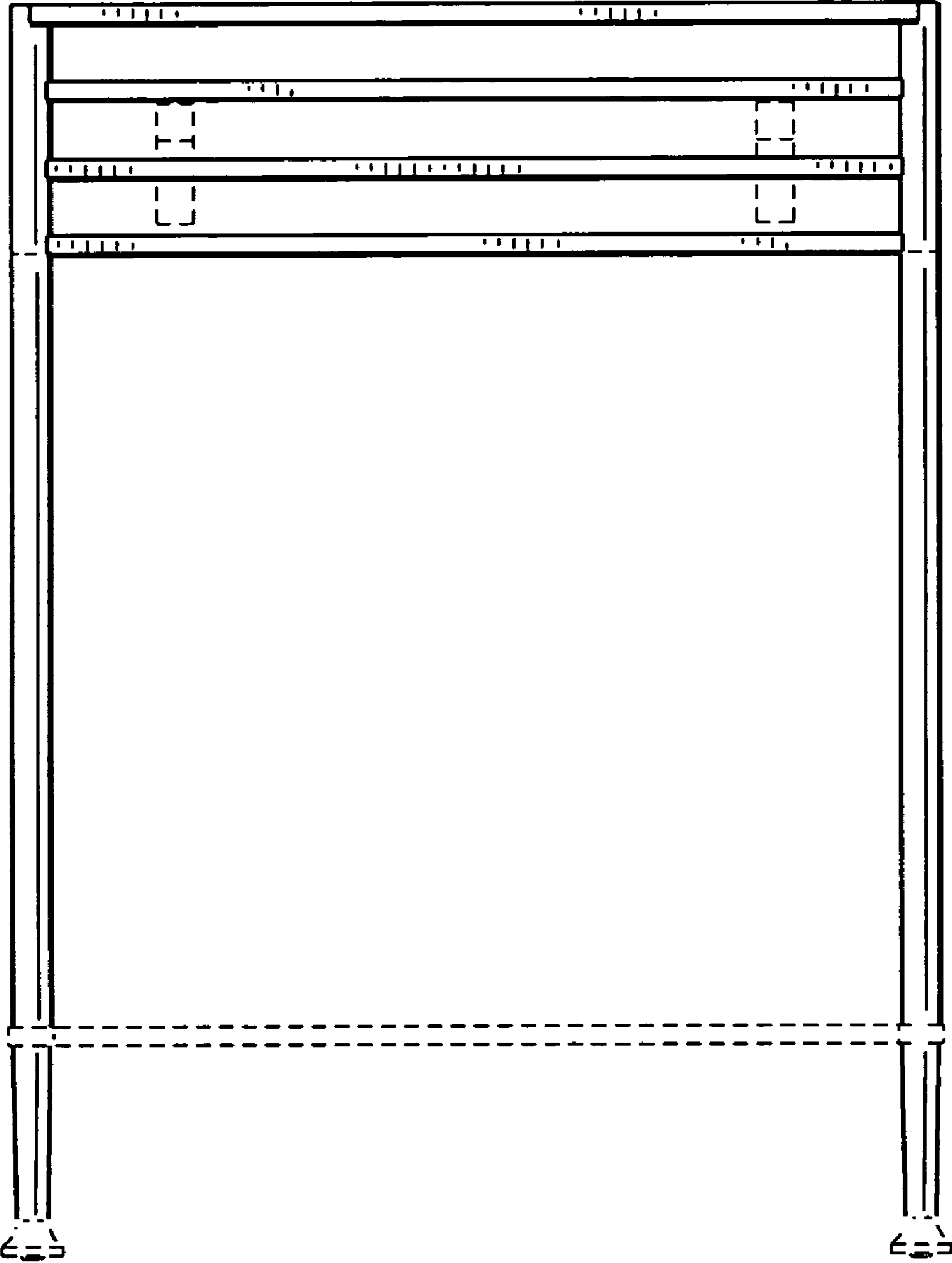


FIG. 2

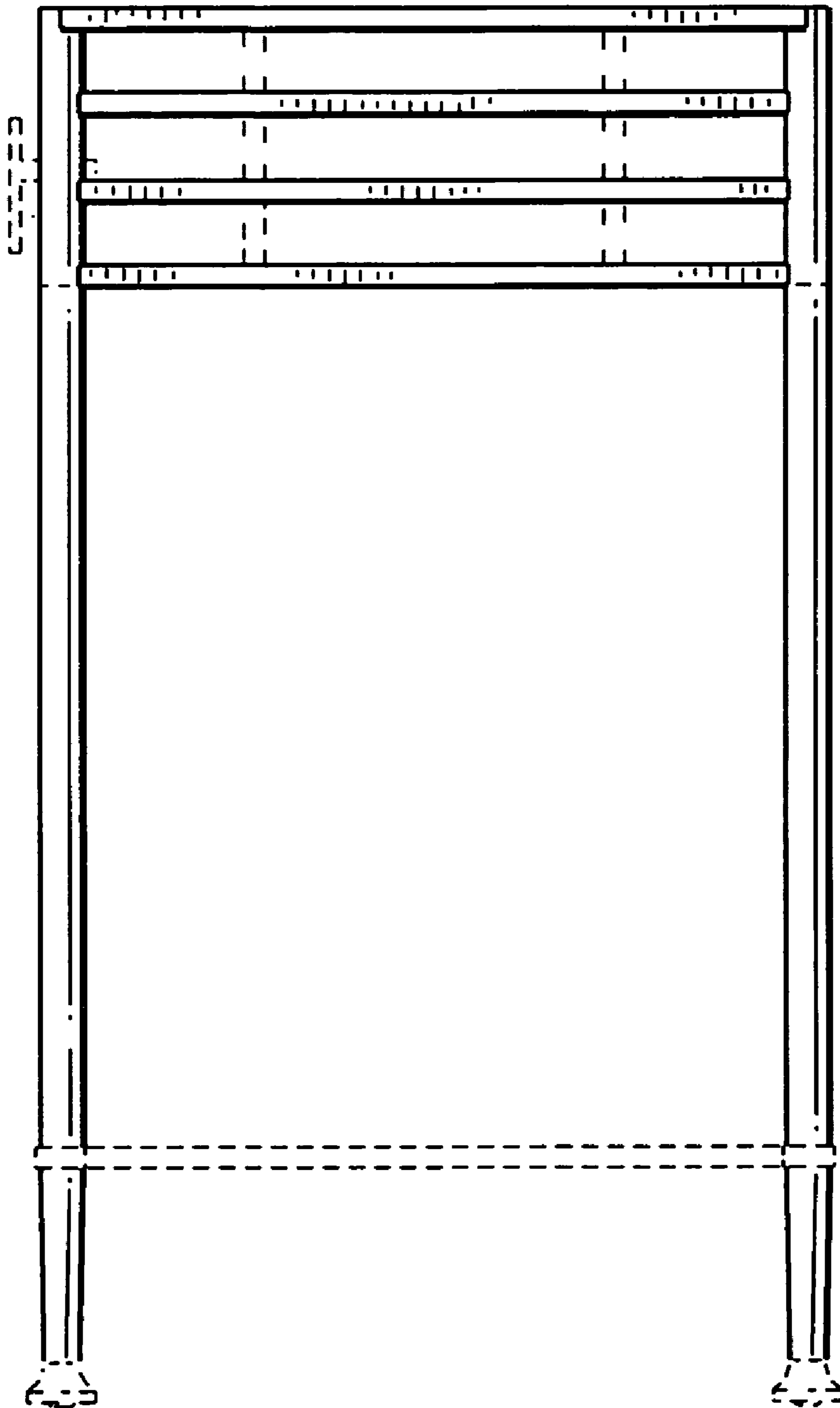


FIG. 3

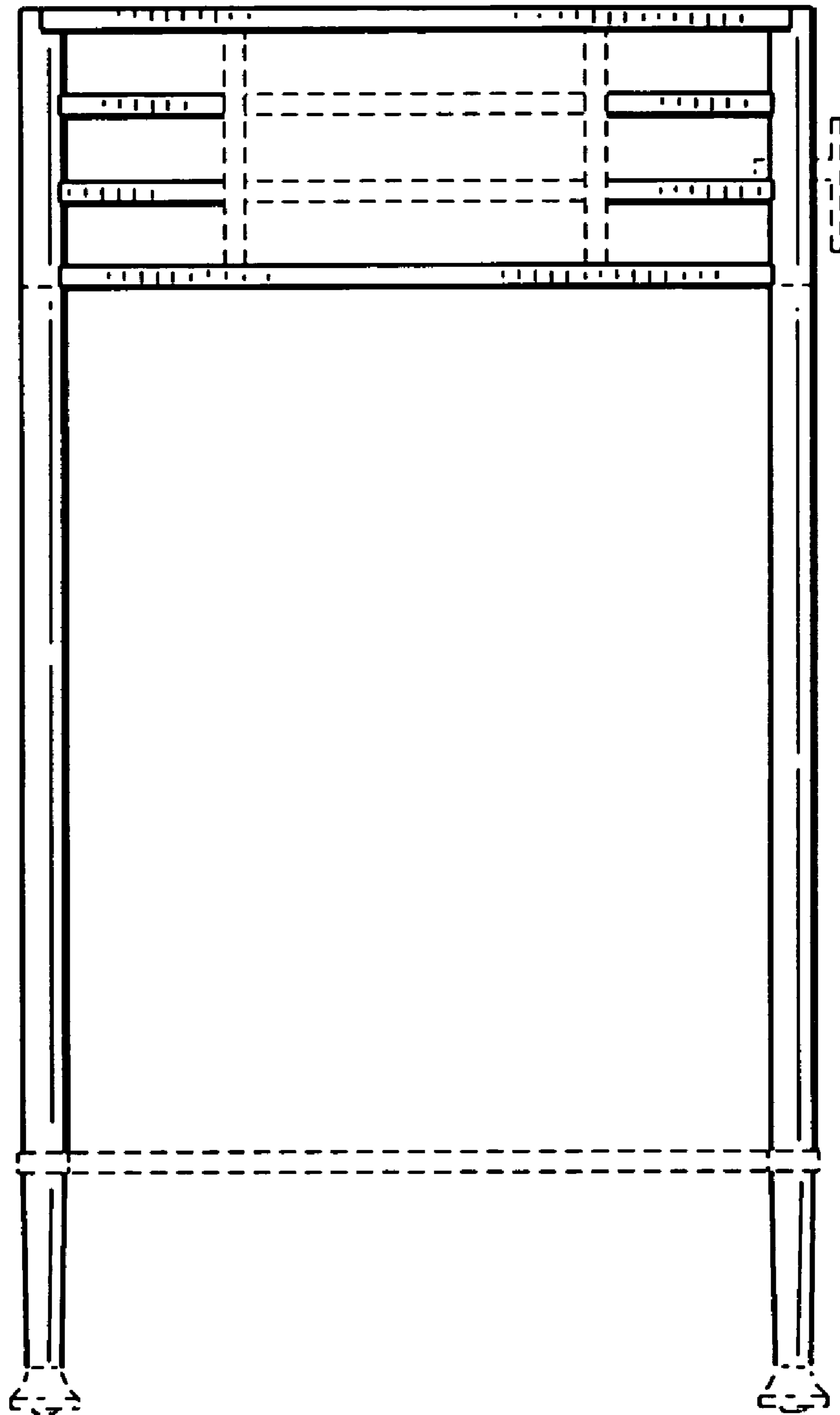


FIG. 4

FIG. 5

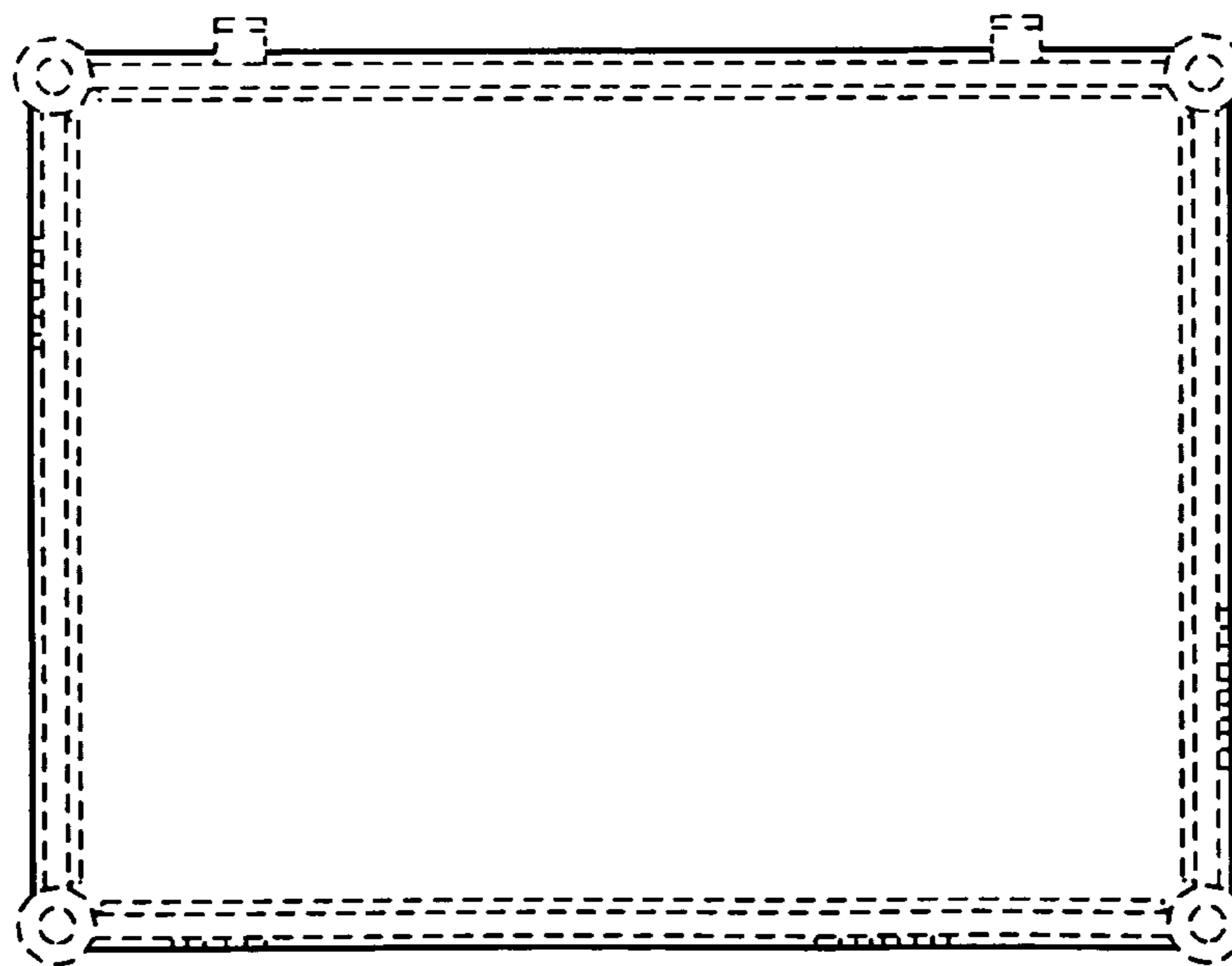
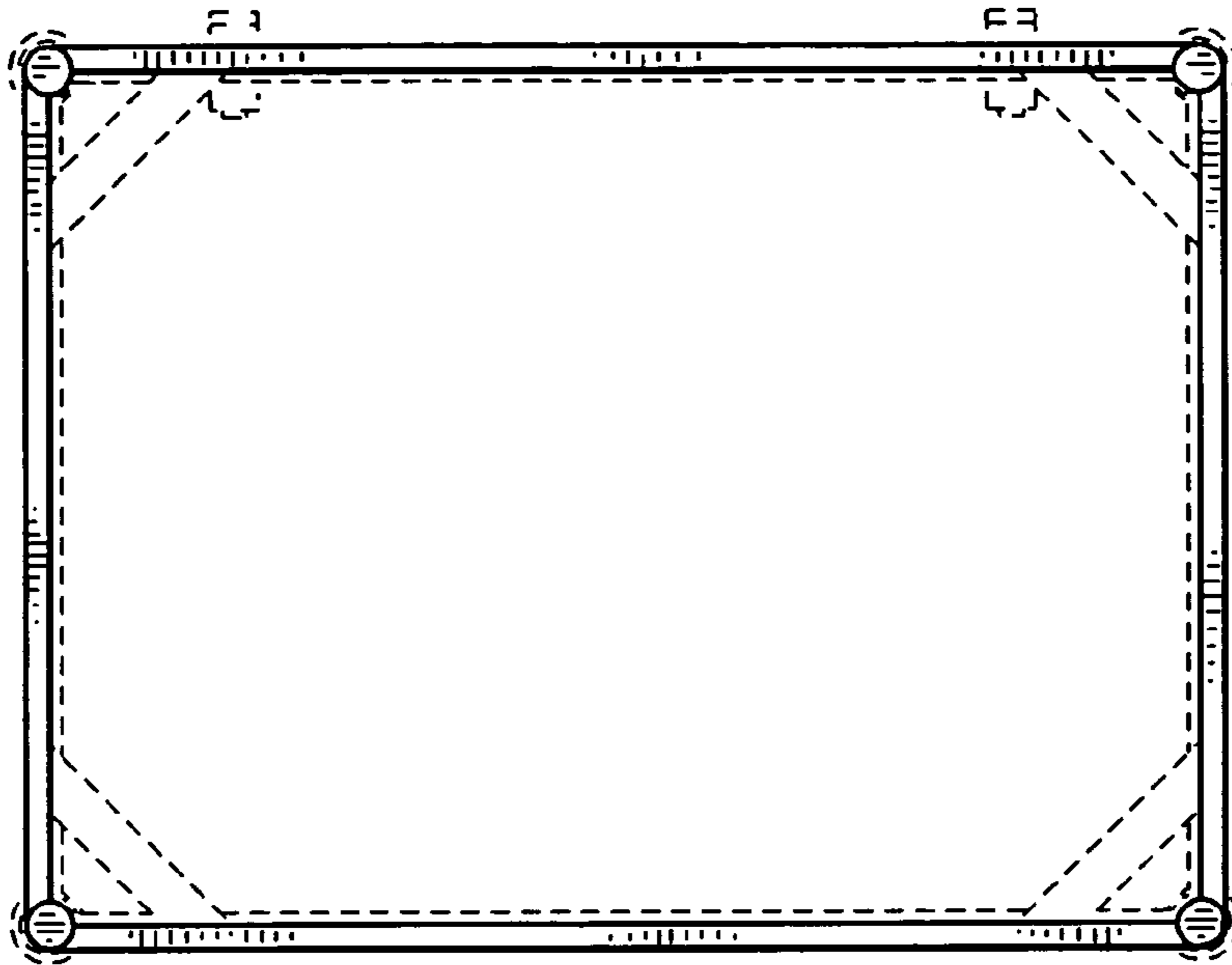


FIG. 6

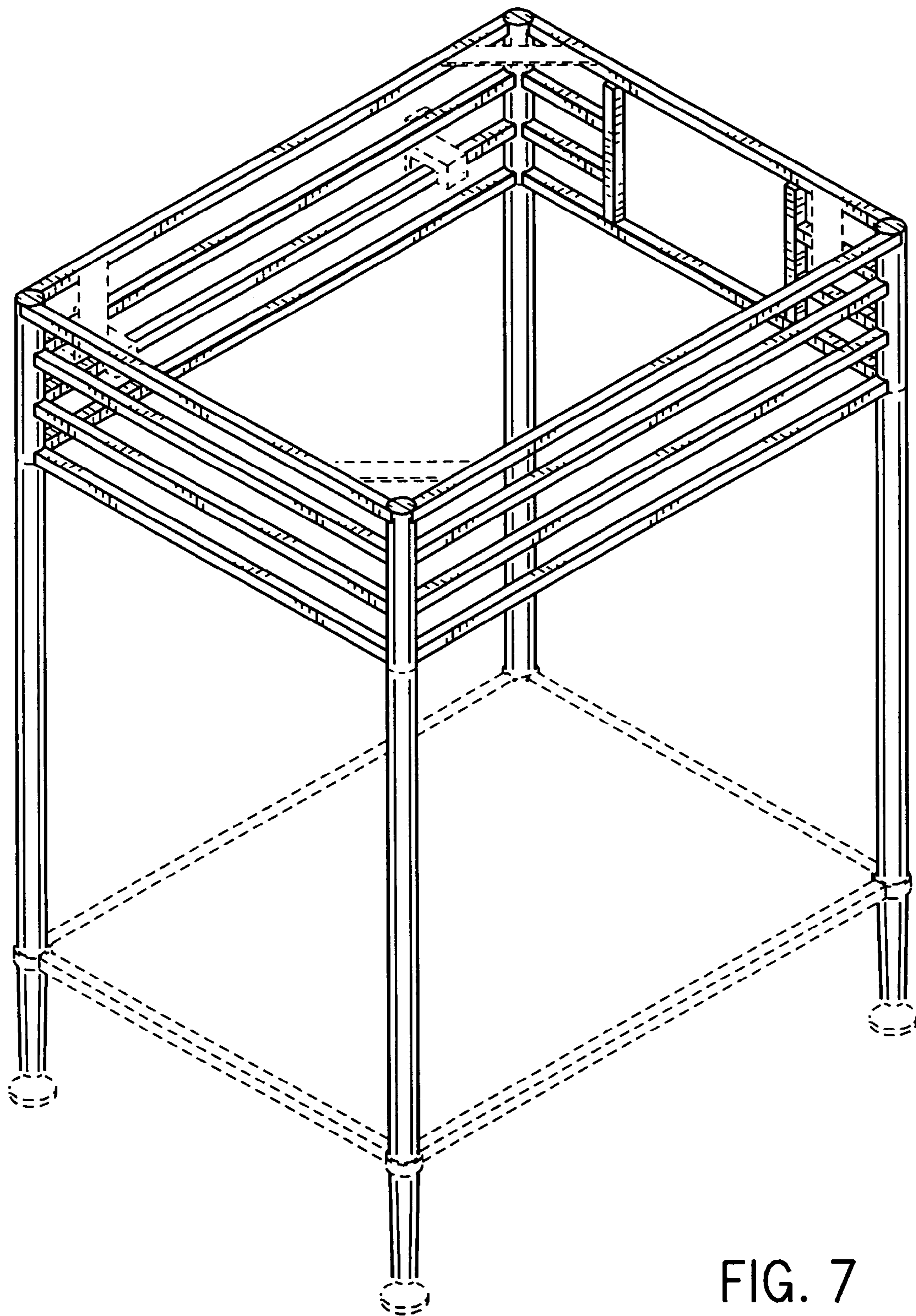


FIG. 7

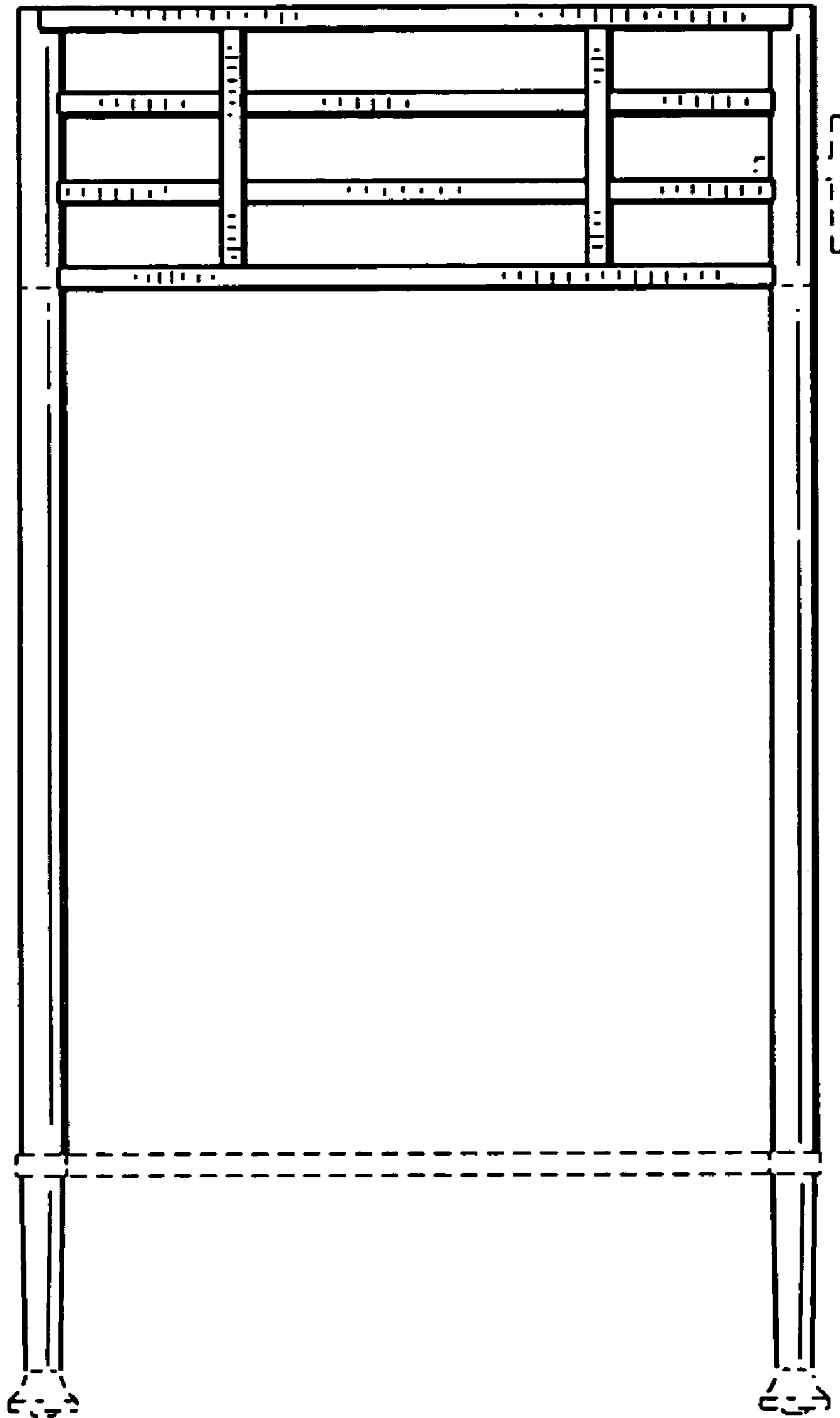


FIG. 8