



US00D553397S

(12) **United States Design Patent**
Everson

(10) **Patent No.:** **US D553,397 S**

(45) **Date of Patent:** **** Oct. 23, 2007**

(54) **COCKTAIL TABLE**

(75) **Inventor:** **Terry A. Everson**, Blair, WI (US)

(73) **Assignee:** **Ashley Furniture Industries, Inc.**,
Arcadia, WI (US)

(**) **Term:** **14 Years**

(21) **Appl. No.:** **29/255,811**

(22) **Filed:** **Mar. 13, 2006**

(51) **LOC (8) Cl.** **06-03**

(52) **U.S. Cl.** **D6/484**

(58) **Field of Classification Search** D6/480-489,
D6/495, 497, 429-431, 511, 477; 108/153.1,
108/155, 156, 157.1, 161; 248/188, 188.1
See application file for complete search history.

(56) **References Cited**

U.S. PATENT DOCUMENTS

D445,608 S *	7/2001	O'Hare	D6/480
D446,975 S	8/2001	Stanton		
D449,184 S	10/2001	Cain		
D450,492 S *	11/2001	Sabo et al.	D6/480
D486,015 S *	2/2004	de Blois	D6/484
D502,617 S *	3/2005	Chang	D6/480
D511,057 S *	11/2005	Mohundro	D6/480

OTHER PUBLICATIONS

Ashley Product Catalog, Spring 2005, vol. 7, Series 1, Brennan, T154-13, p. 257.

* cited by examiner

Primary Examiner—Janice E. Seeger

(74) *Attorney, Agent, or Firm*—Patterson, Thuente, Skaar & Christensen, P.A.

(57) **CLAIM**

The ornamental design for a cocktail table, as shown and described.

DESCRIPTION

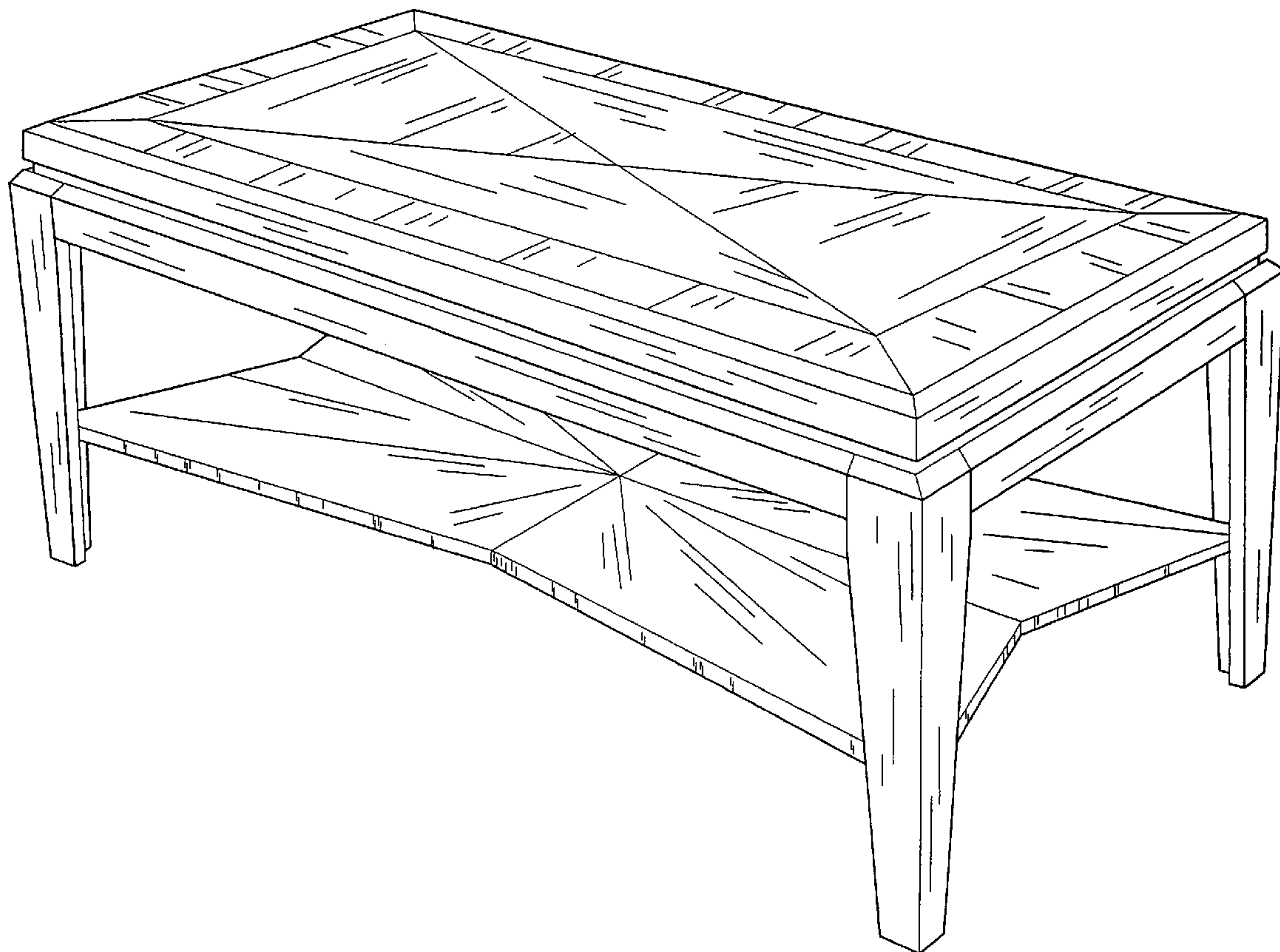
FIG. 1 is a perspective view of a cocktail table according to an embodiment of the invention.

FIG. 2 is a top view of a cocktail table according to an embodiment of the invention.

FIG. 3 is a side view of a cocktail table according to an embodiment of the invention, the opposite side being a mirror-image thereto; and,

FIG. 4 is an end view of a cocktail table according to an embodiment of the invention, the opposite end being a mirror-image thereto.

1 Claim, 3 Drawing Sheets



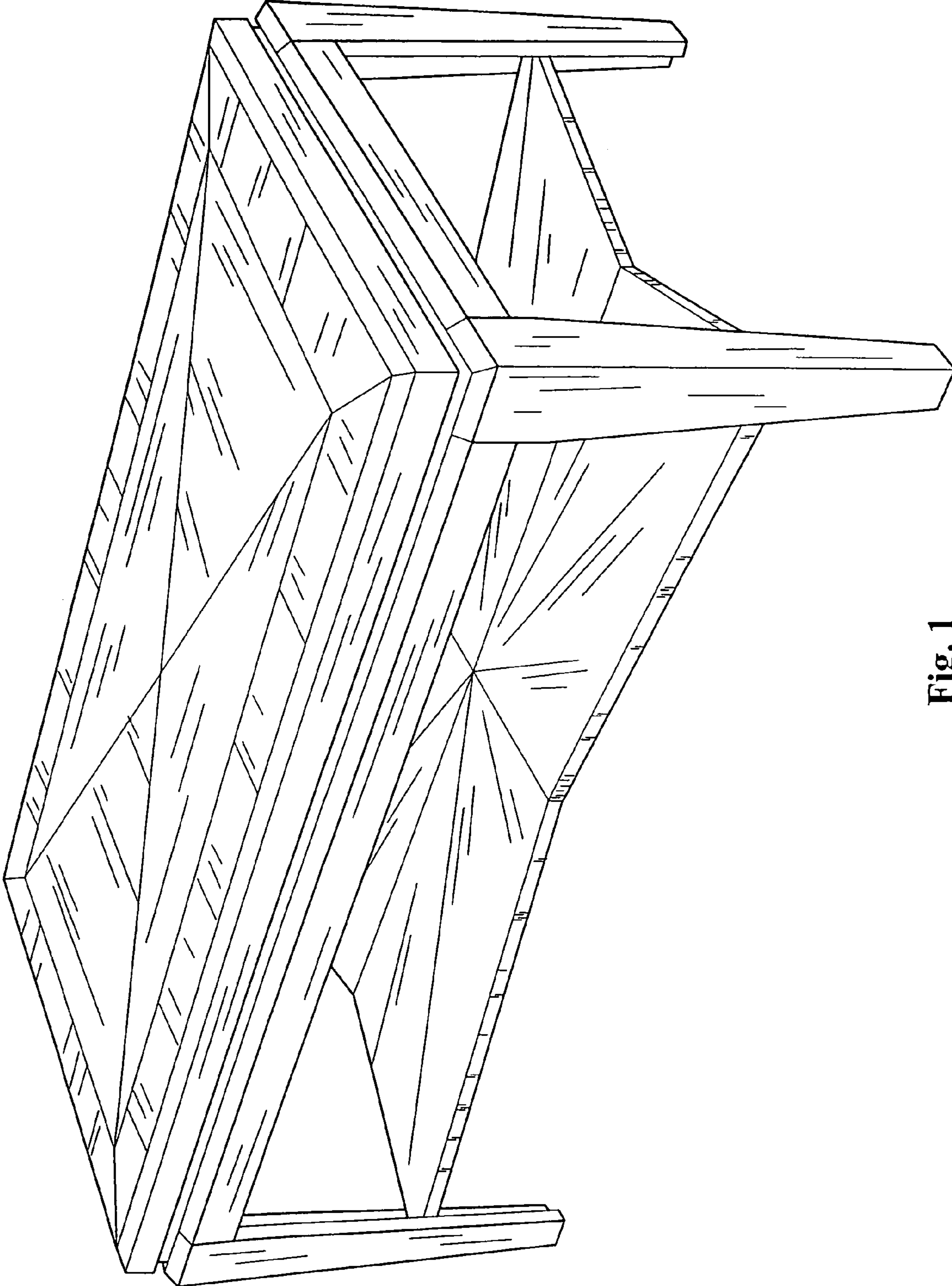


Fig. 1

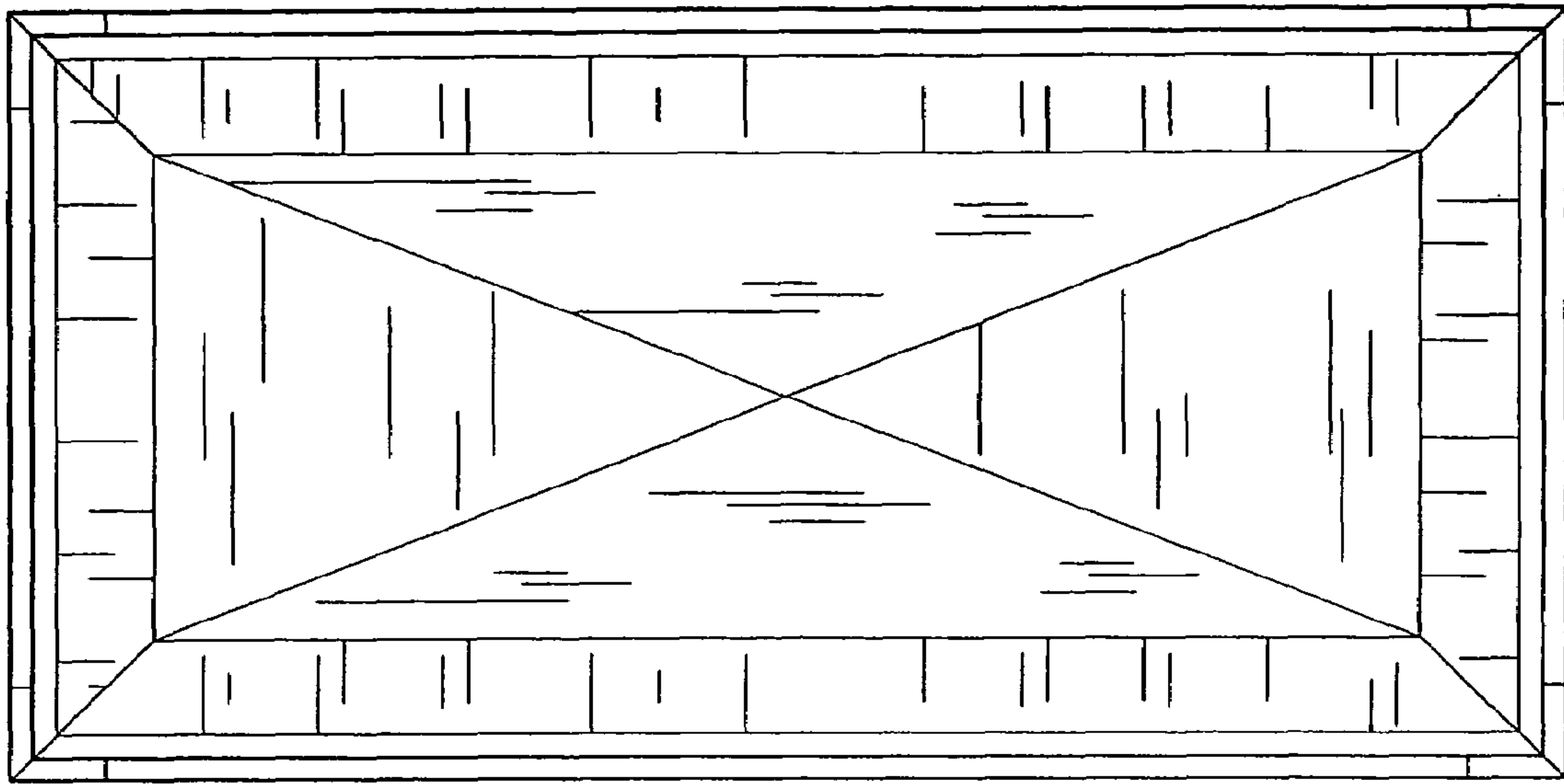


Fig. 2

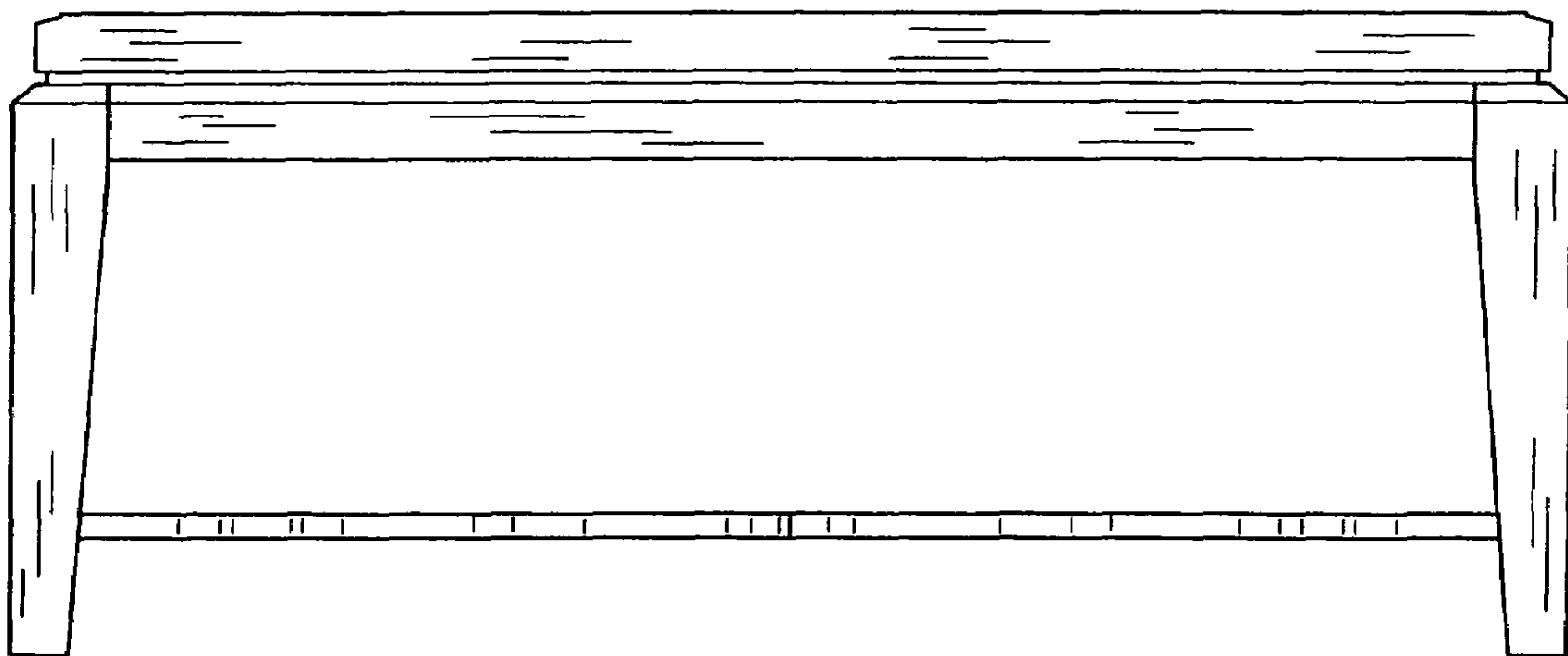


Fig. 3

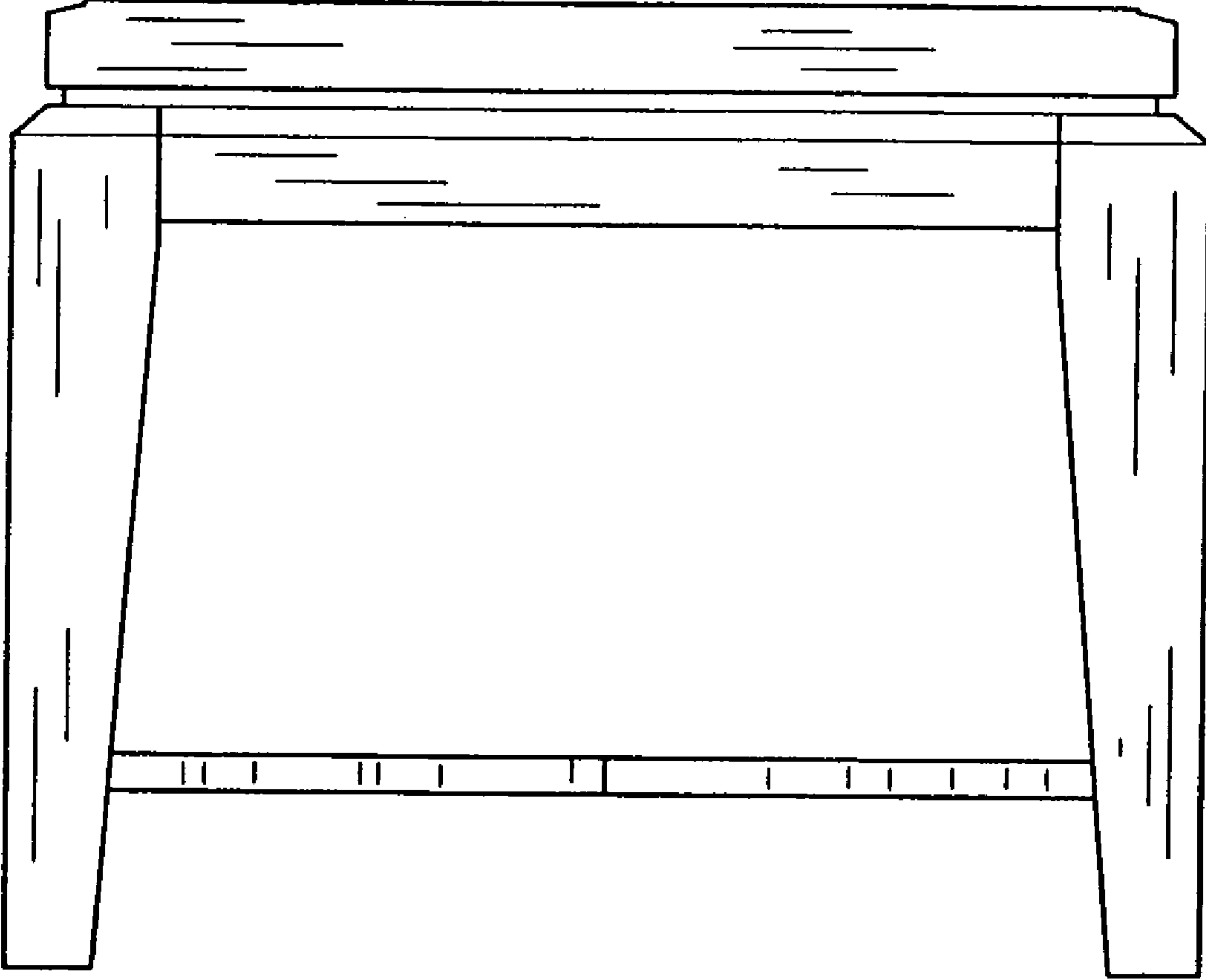


Fig. 4