



US00D553393S

(12) **United States Design Patent**
Cassel

(10) **Patent No.:** **US D553,393 S**

(45) **Date of Patent:** **** Oct. 23, 2007**

(54) **PLASTIC STORAGE CUBE**

(75) Inventor: **Timothy S. Cassel**, Arlington, MA
(US)

(73) Assignee: **Sterilite Corporation**, Townsend, MA
(US)

(**) Term: **14 Years**

(21) Appl. No.: **29/259,062**

(22) Filed: **May 2, 2006**

(51) **LOC (8) Cl.** **06-04**

(52) **U.S. Cl.** **D6/479**

(58) **Field of Classification Search** D6/473-474,
D6/477-479, 630; 108/59, 65-66, 91-93,
108/106-107, 180, 144.11, 147.11; 211/42,
211/134, 188

See application file for complete search history.

(56) **References Cited**

U.S. PATENT DOCUMENTS

3,913,289	A	*	10/1975	Recker	312/140
D250,309	S	*	11/1978	Chervenak	D6/433
D277,437	S	*	2/1985	Ratia et al.	D6/470
D374,774	S		10/1996	Cassel		
D384,227	S	*	9/1997	Grosfillex	D6/479
D410,230	S	*	5/1999	Witte	D14/371
D468,932	S	*	1/2003	Licari	D6/441
D478,208	S		8/2003	Cassel		
D483,965	S	*	12/2003	Cassel	D6/448
6,669,036	B1	*	12/2003	Yang et al.	211/181.1
D506,613	S	*	6/2005	Gusdorf	D3/304
2003/0010738	A1	*	1/2003	Hsia et al.	211/188
2003/0066814	A1	*	4/2003	Wang	211/189
2006/0113266	A1	*	6/2006	Shapiro	211/188
2006/0207957	A1	*	9/2006	Chen	211/188

OTHER PUBLICATIONS

EZCube Modular Furniture System, Sauder Workdworking Co., 2005.

Closits Modular Storage System, Sauder Woodworking Co., 2001.

“Kabbo” Ikea, 2004.

Stack A Shelf—Stackable Storage Organizers, Closetmaid, 2003.

Storage Cubes and Bins, Target, 2006.

“Didrik” Storage unit on casters, Ikea, 2004.

Galvanized Storage Cube, The Container Store.

“Storage Drawers,” Sterilite Catalog, Sterilite Corporation, 2002.

“Drawers,” Sterilite Product Guide, Sterilite Corporation, 2004.

“Drawers,” Sterilite Product Collection, Sterilite Corporation, 2005.

* cited by examiner

Primary Examiner—Cathron C. Brooks

Assistant Examiner—Kelley A. Donnelly

(74) *Attorney, Agent, or Firm*—Wilmer Cutler Pickering Hale and Dorr LLP

(57) **CLAIM**

The ornamental design for a plastic storage cube, as shown and described.

DESCRIPTION

FIG. 1 is a perspective view of a first embodiment of a plastic storage cube;

FIG. 2 is a front elevational view thereof;

FIG. 3 is a left side elevational view thereof, the right side view and rear view being identical;

FIG. 4 is a top plan view thereof;

FIG. 5 is a bottom plan view thereof;

FIG. 6 is a perspective view of a second embodiment thereof.

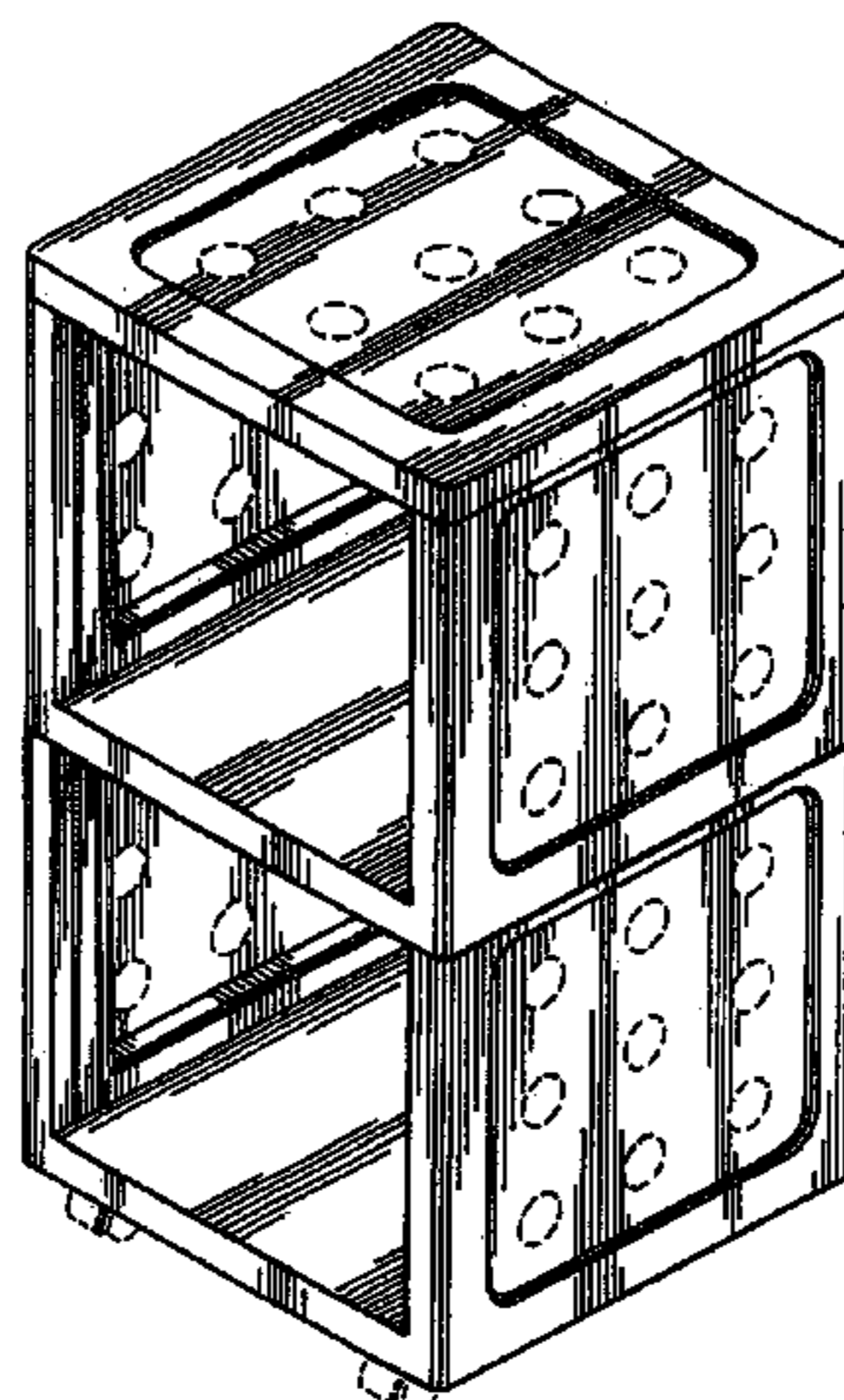
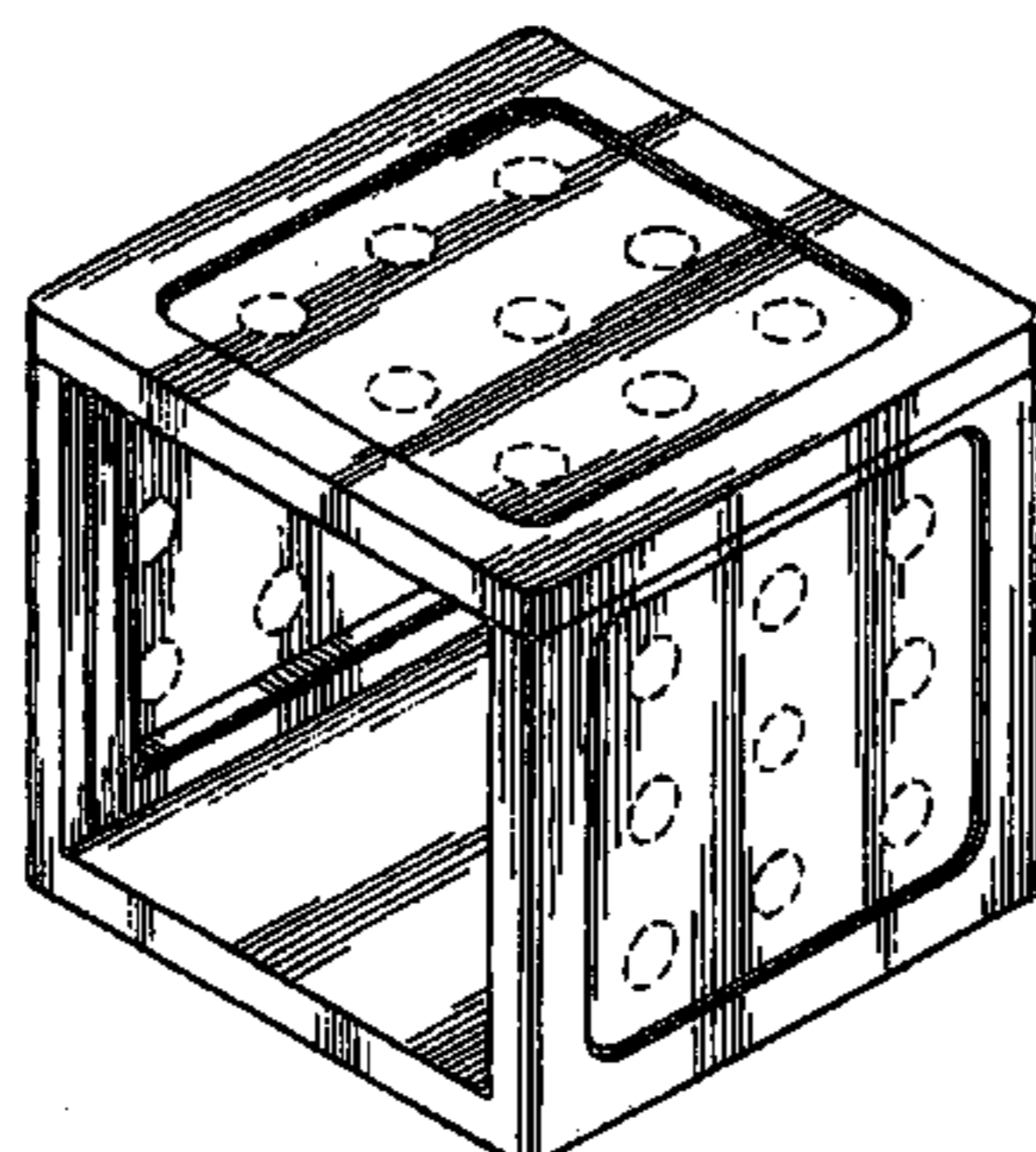
FIG. 7 is a front elevational view of the second embodiment.

FIG. 8 is a left side elevational view of the second embodiment, the right side view and rear view being identical; and,

FIG. 9 is a bottom plan view of the second embodiment, the top view being identical to FIG. 4.

The broken line showing of circles and feet are for illustrative purposes only and form no part of the claimed design.

1 Claim, 3 Drawing Sheets



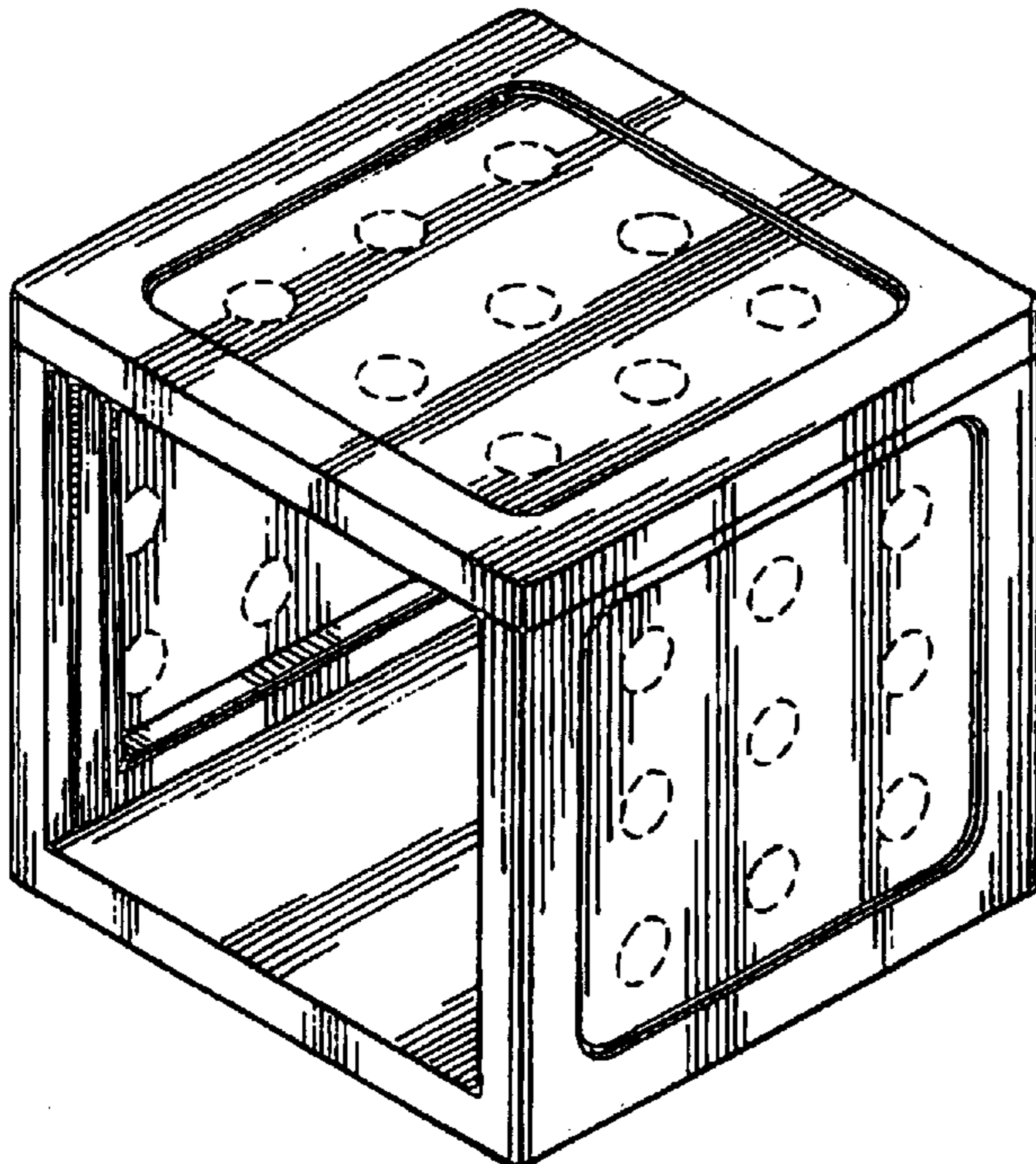


Fig. 1

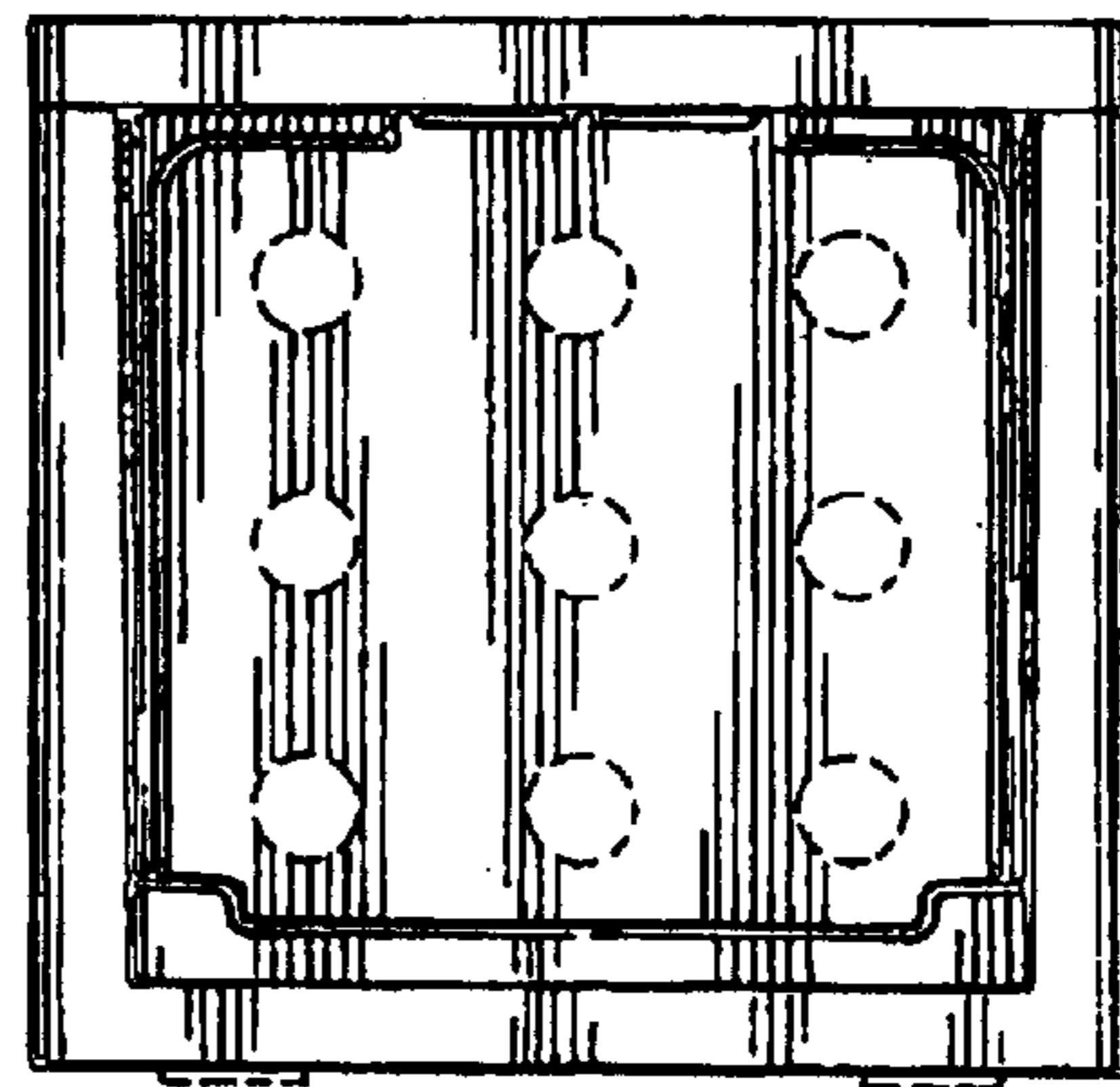


Fig. 2

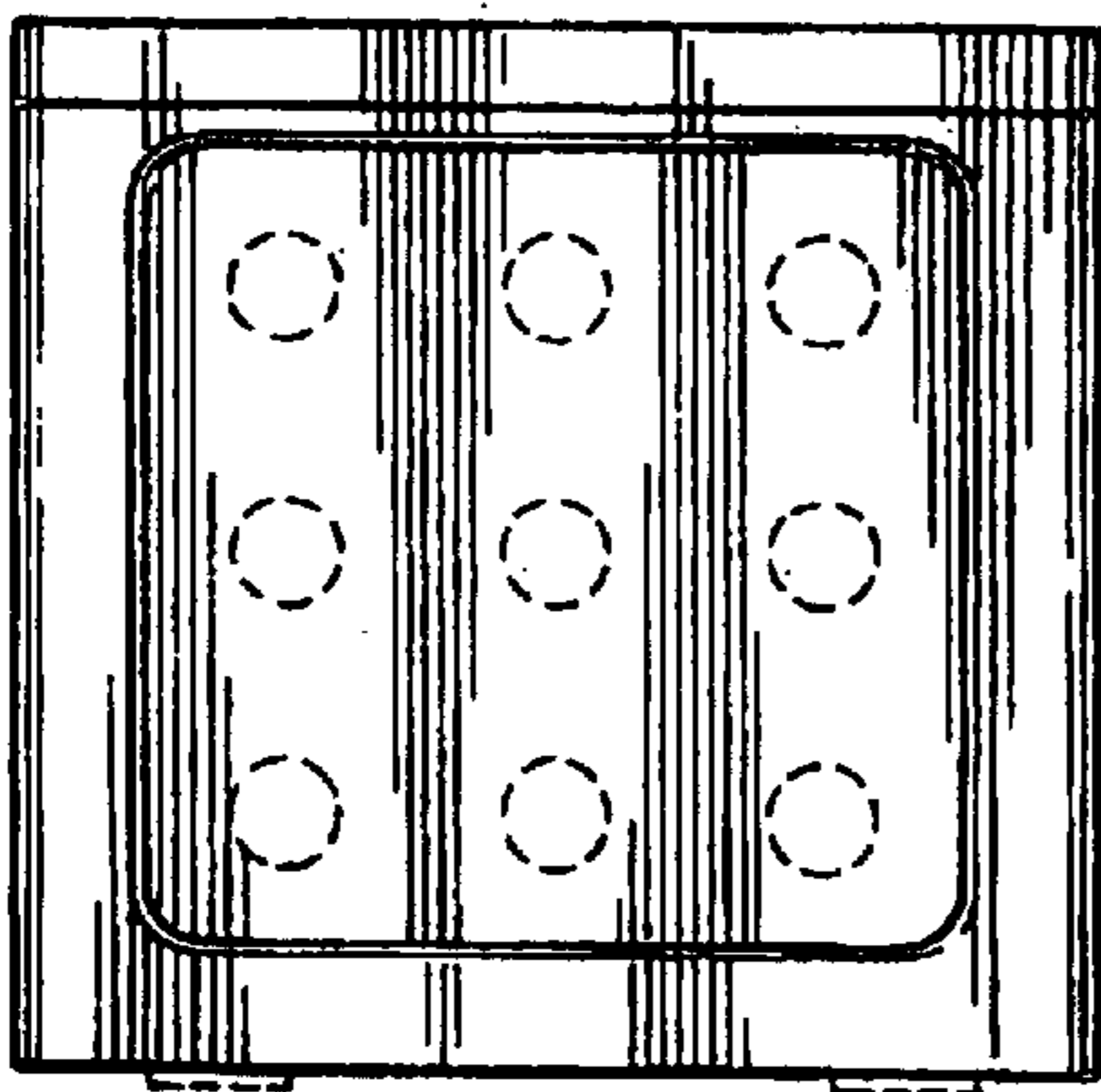


Fig. 3

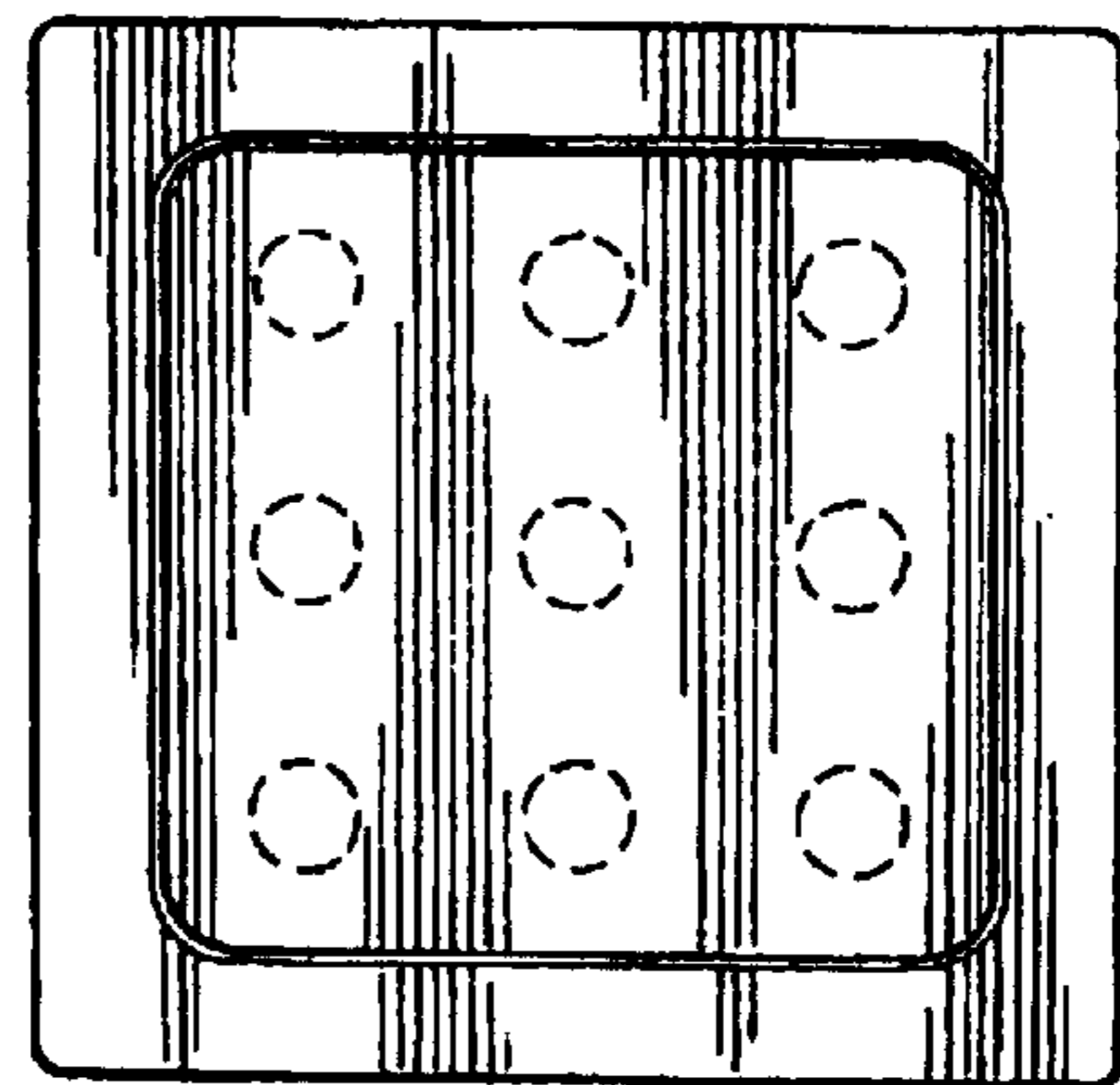


Fig. 4

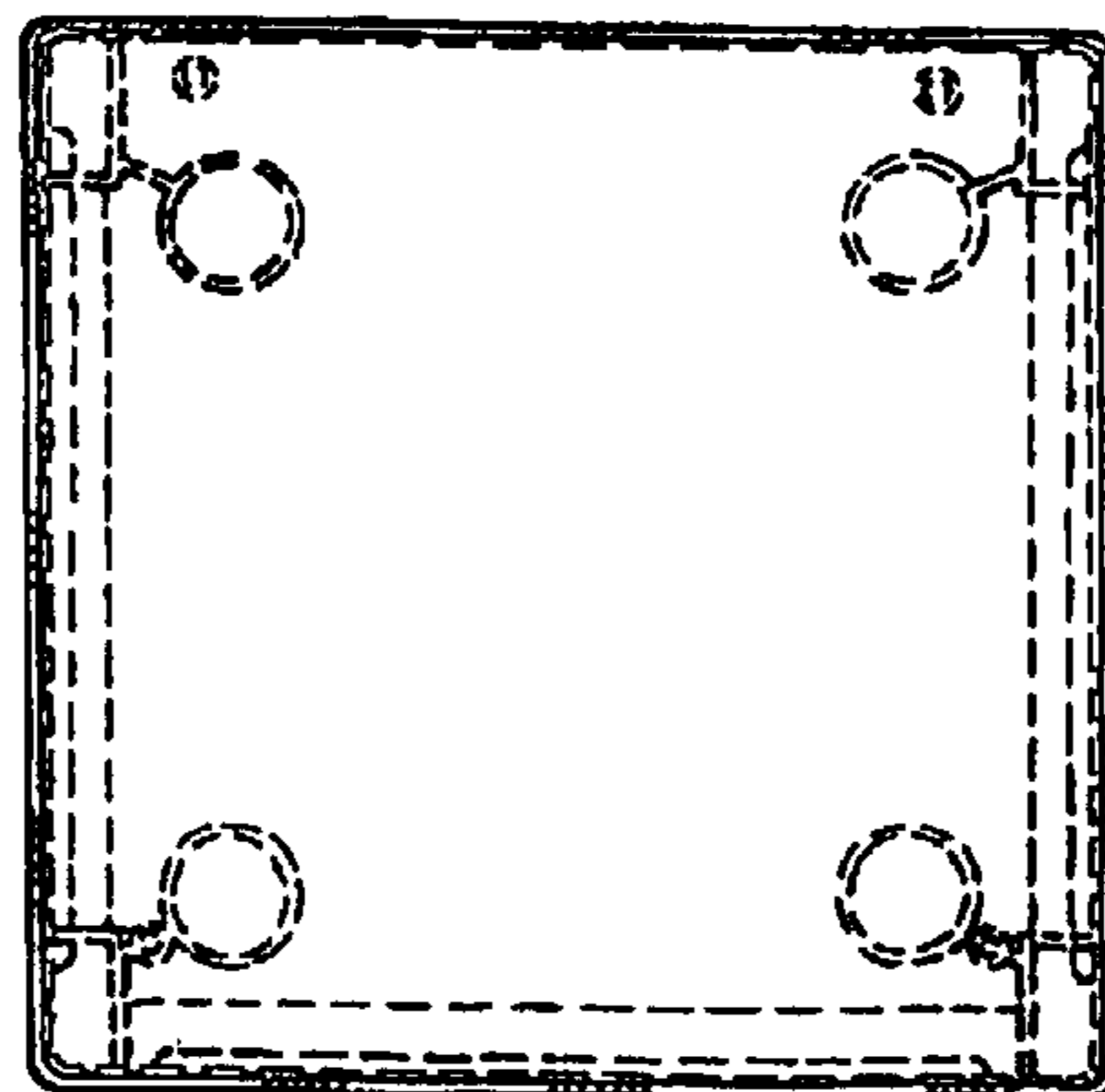


Fig. 5

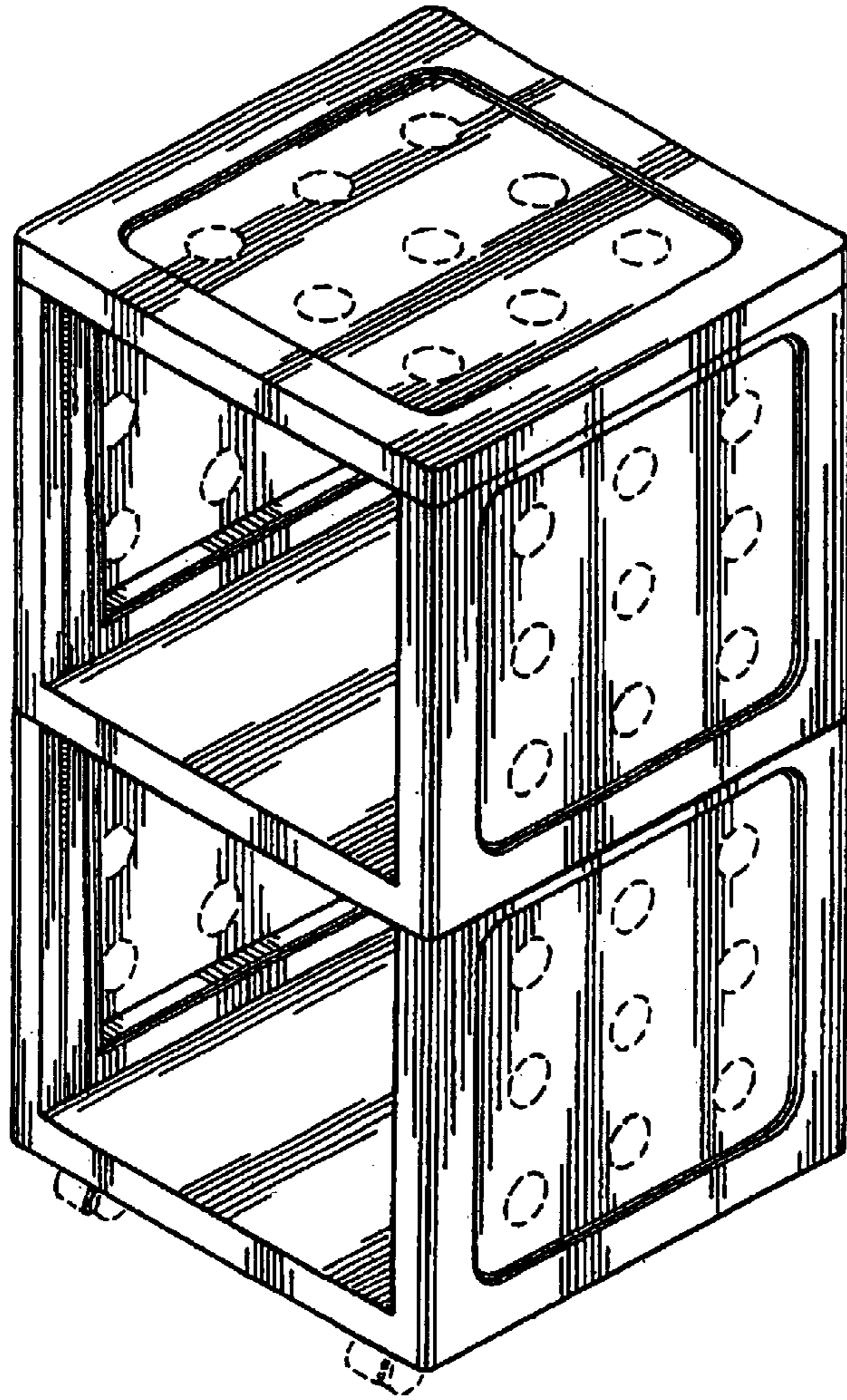


Fig. 6

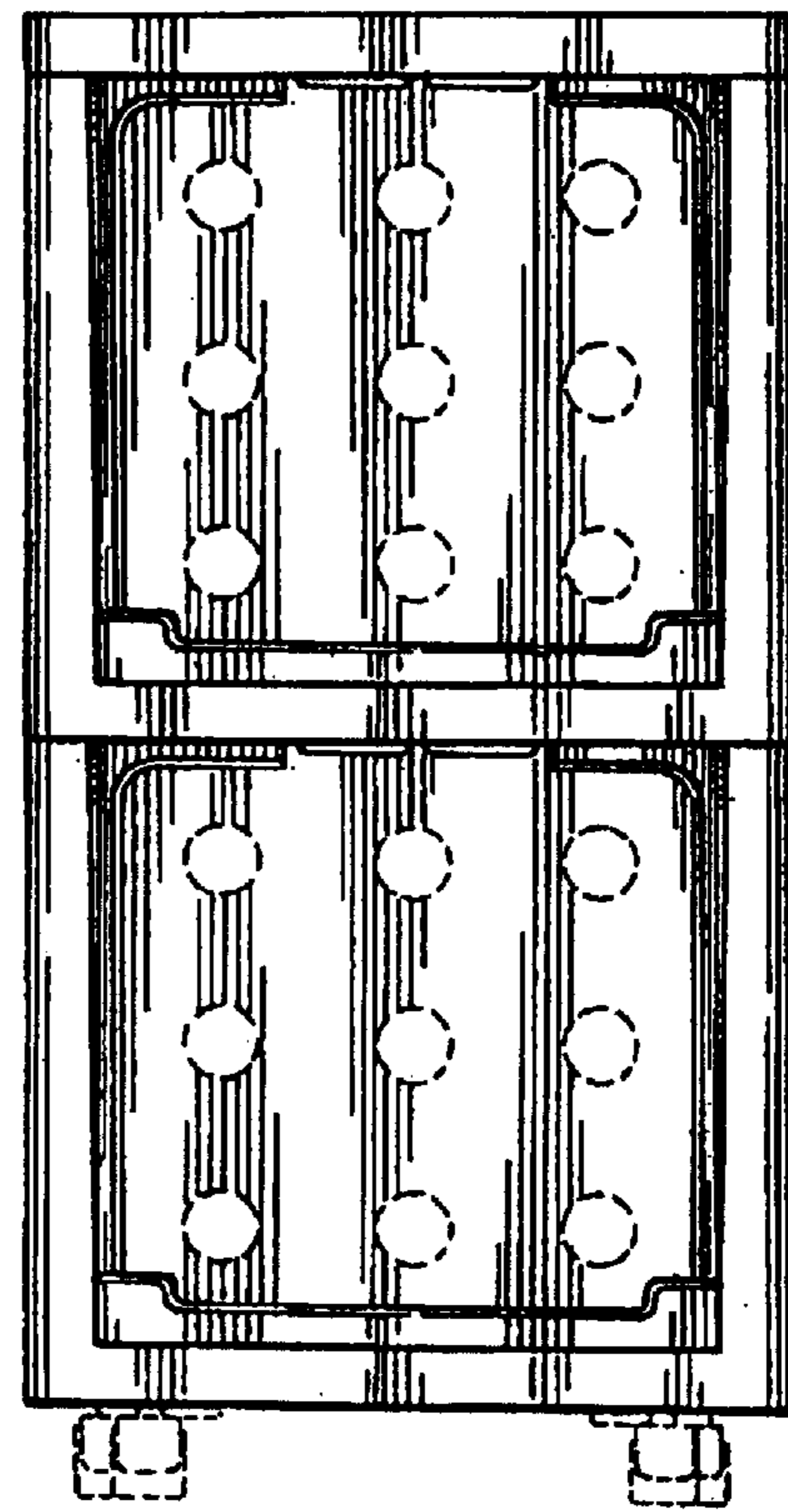


Fig. 7

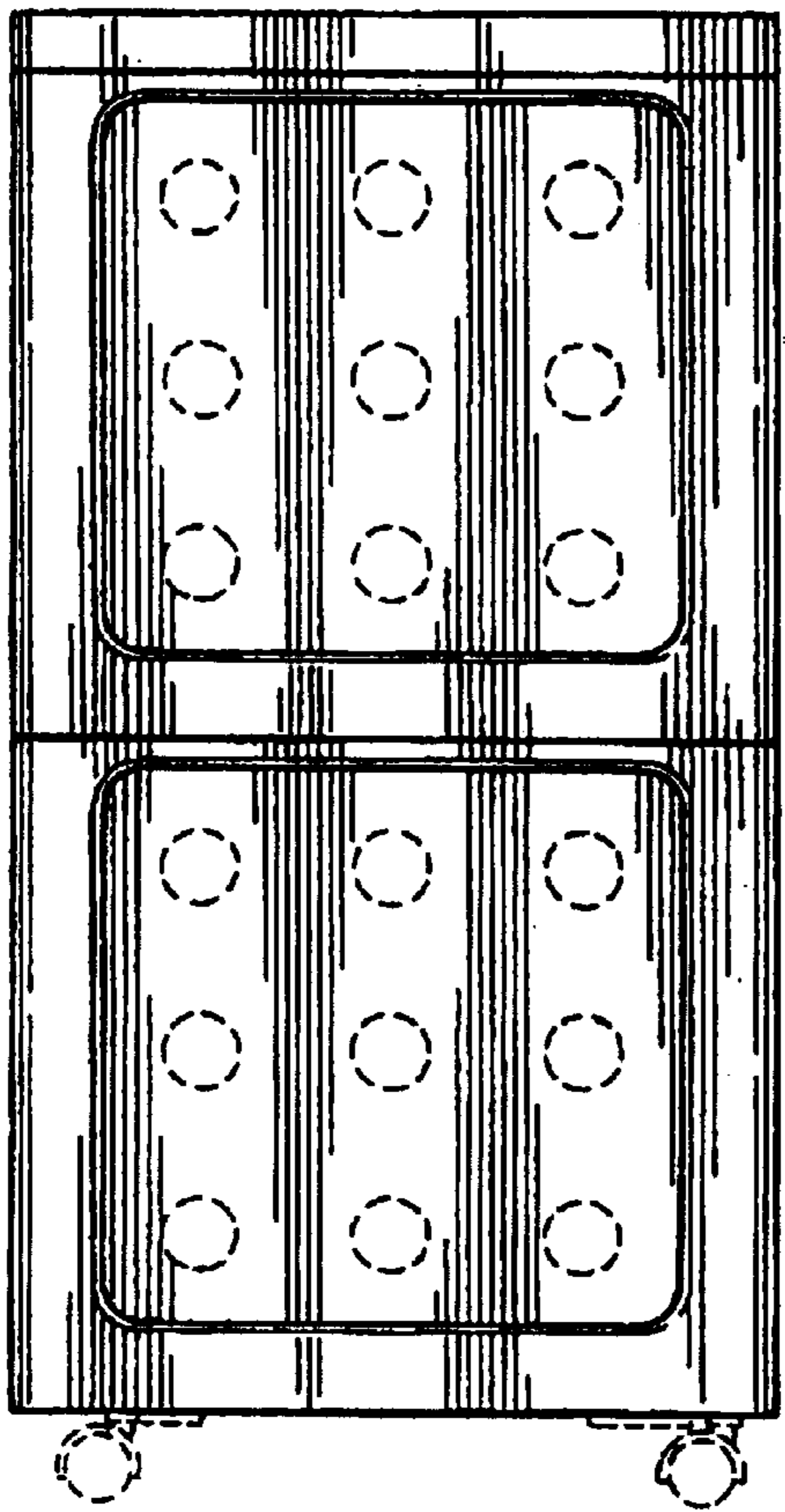


Fig. 8

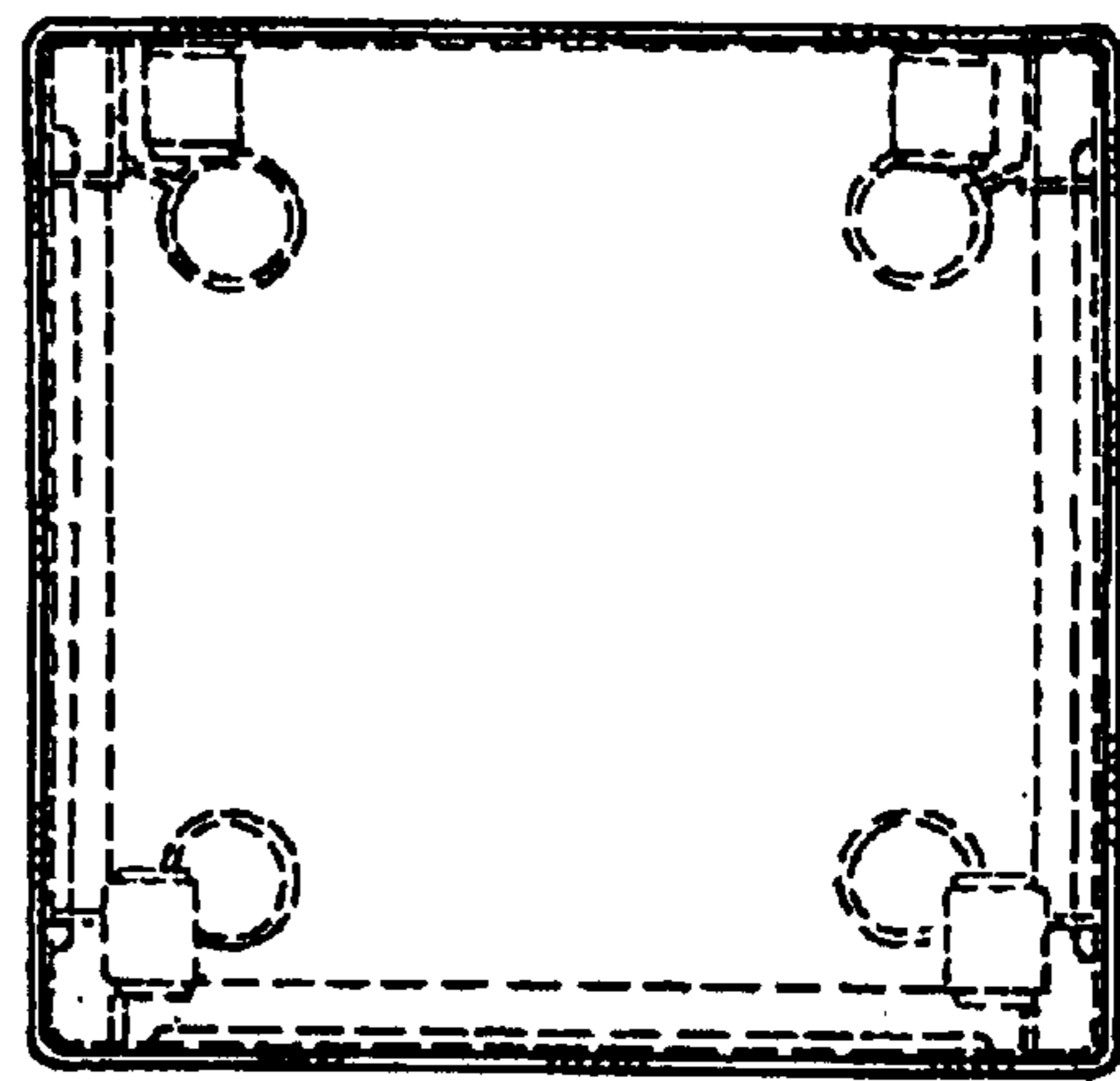


Fig. 9