



US00D553388S

(12) **United States Design Patent**  
**Baade**

(10) **Patent No.:** **US D553,388 S**  
(45) **Date of Patent:** **\*\* Oct. 23, 2007**

(54) **VANITY**

(75) Inventor: **Jonell J. Baade**, Milwaukee, WI (US)

(73) Assignee: **Kohler Co.**, Kohler, WI (US)

(\*\*) Term: **14 Years**

(21) Appl. No.: **29/245,362**

(22) Filed: **Dec. 22, 2005**

(51) **LOC (8) Cl.** ..... **06-04**

(52) **U.S. Cl.** ..... **D6/446; D6/448; D6/480**

(58) **Field of Classification Search** ..... D6/434,  
D6/435, 441, 444-446, 448, 480; 312/204,  
312/224, 238; D23/286

See application file for complete search history.

(56) **References Cited**

**U.S. PATENT DOCUMENTS**

D311,650 S *	10/1990	Keller	.....	D6/446
D332,533 S *	1/1993	Ma	.....	D6/446
D336,180 S *	6/1993	Black	.....	D6/444
D389,669 S *	1/1998	Paus	.....	D6/445
D455,475 S *	4/2002	Jones et al.	.....	D23/286
D474,922 S *	5/2003	Vaaler	.....	D6/441

**OTHER PUBLICATIONS**

Baker Furniture, "Queen Anne Vanities". Model No. K-3087-CT-NA.

Kallista, Barbara Barry Glamour Mirrored Vanity. Kallista catalog. Baker Furniture, Model No. 5686 Muffin Stand. Baker catalog.

\* cited by examiner

*Primary Examiner*—Cathron C. Brooks

(74) *Attorney, Agent, or Firm*—Quarles & Brady LLP

(57) **CLAIM**

The ornamental design for a vanity, as shown and described.

**DESCRIPTION**

In a preferred embodiment, the nature of this product is a vanity such as can be used to support a lavatory.

FIG. 1 is a left, top, front perspective view of a vanity embodying my new design;

FIG. 2 is a front elevational view thereof;

FIG. 3 is a left side elevational view thereof, the right side elevational view thereof being a mirror image of the left side shown;

FIG. 4 is a top plan view thereof;

FIG. 5 is a rear elevational view thereof; and,

FIG. 6 is a bottom plan view thereof.

The broken line representations of a shelf in FIGS. 1-3 and 5-6, arcuate design elements in FIGS. 1 and 2, and an opening in FIGS. 1 and 4, are for the purpose of illustration only, and form no part of the claimed design.

**1 Claim, 3 Drawing Sheets**

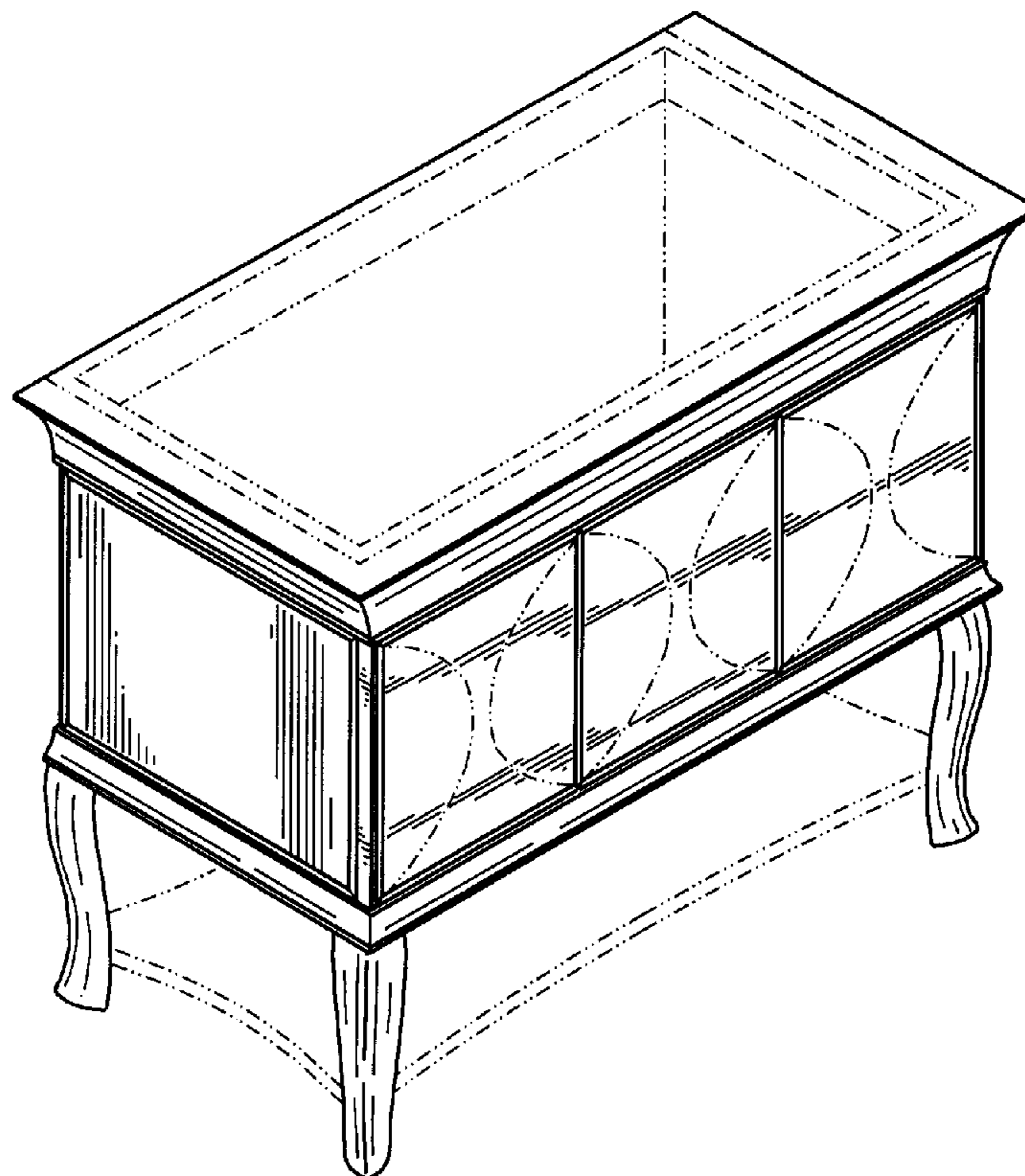


FIG. 1

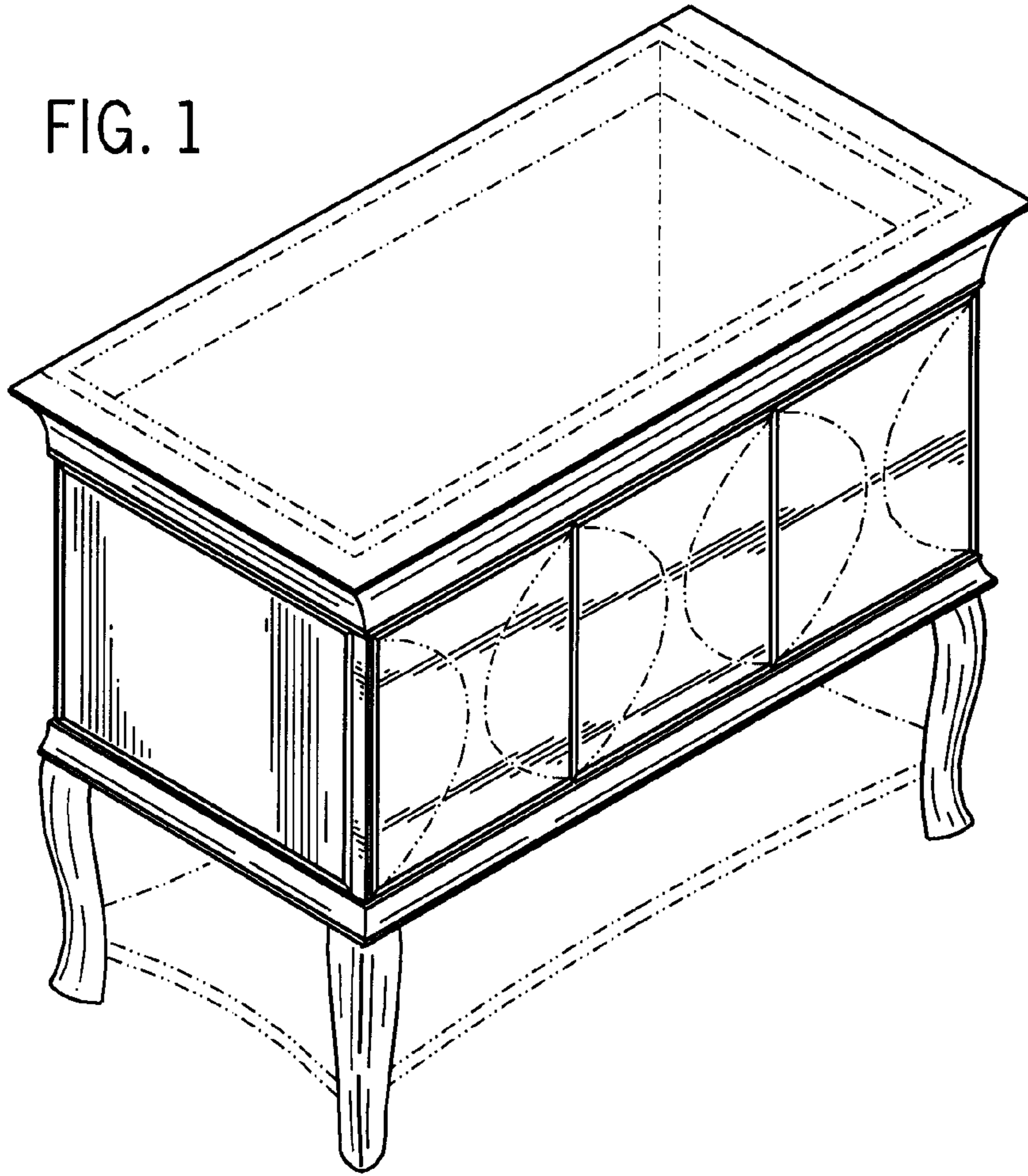


FIG. 2

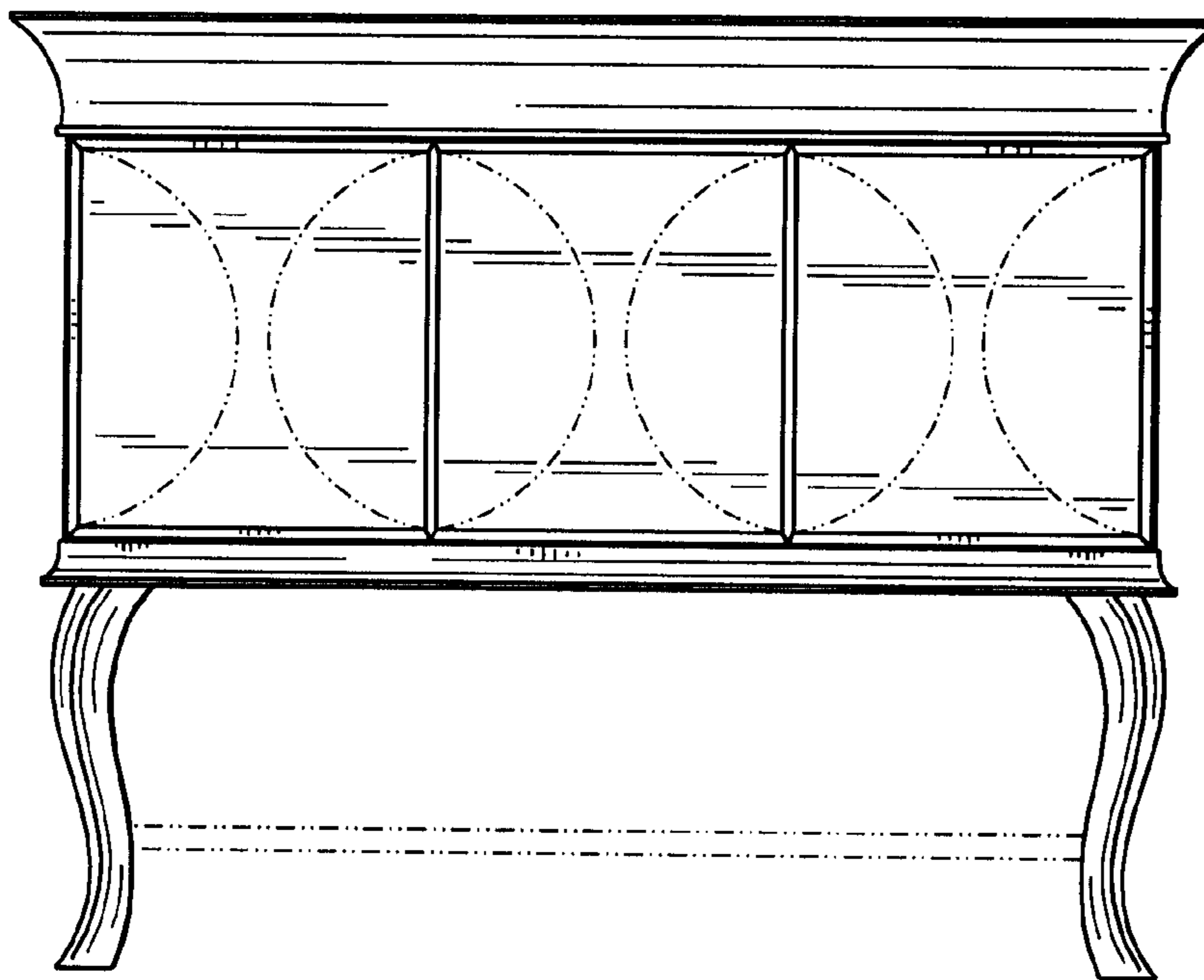


FIG. 3

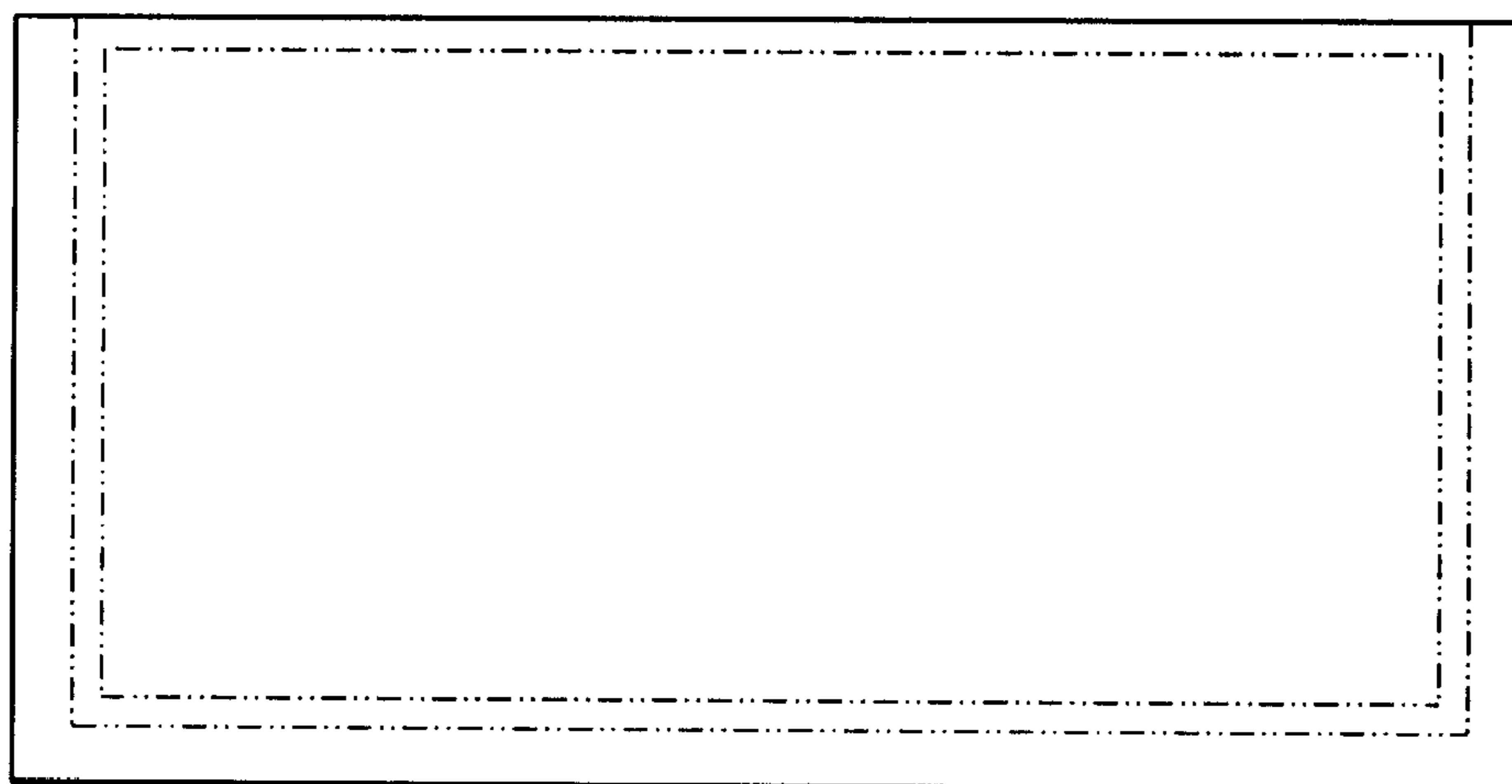
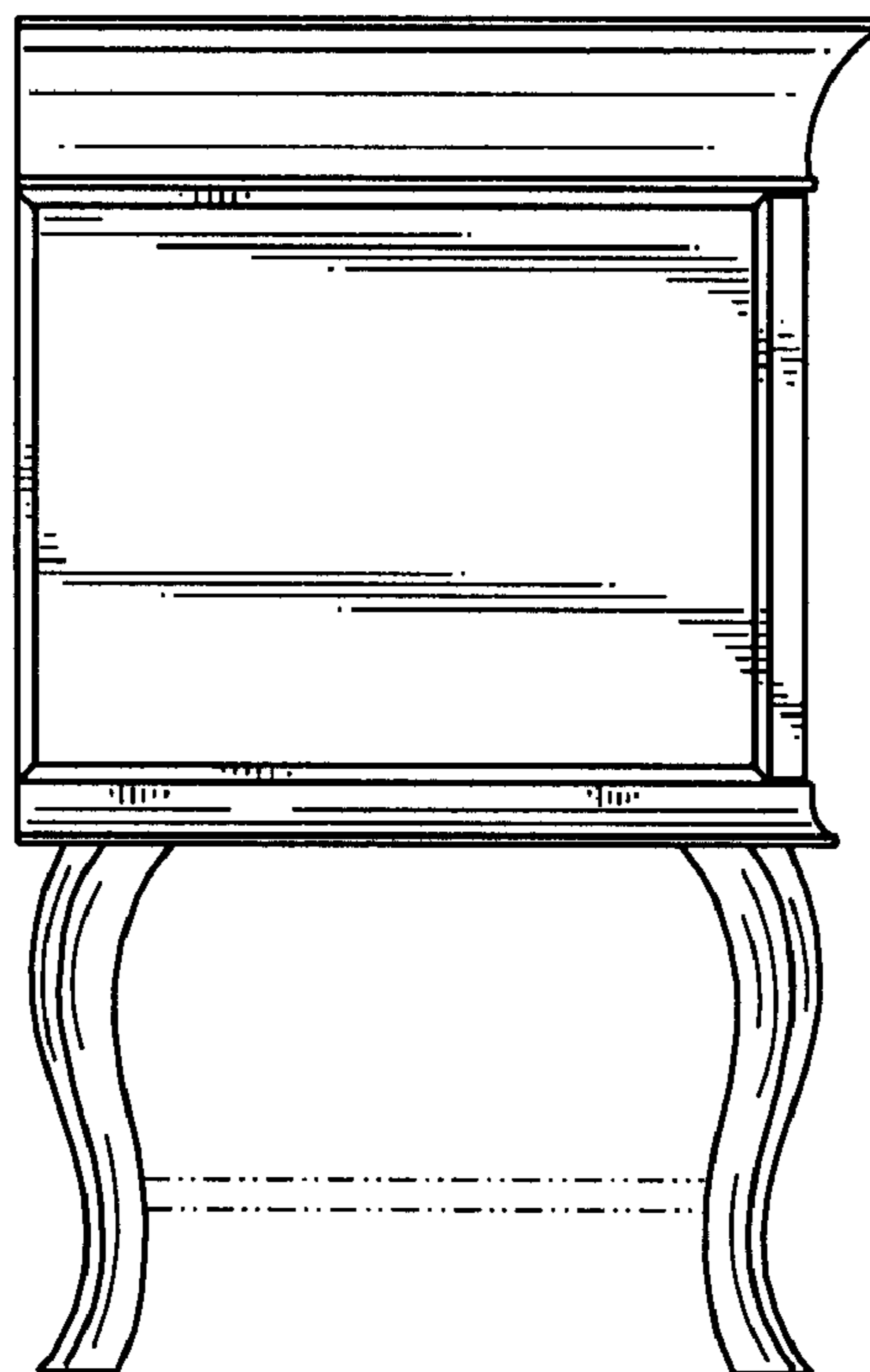


FIG. 4

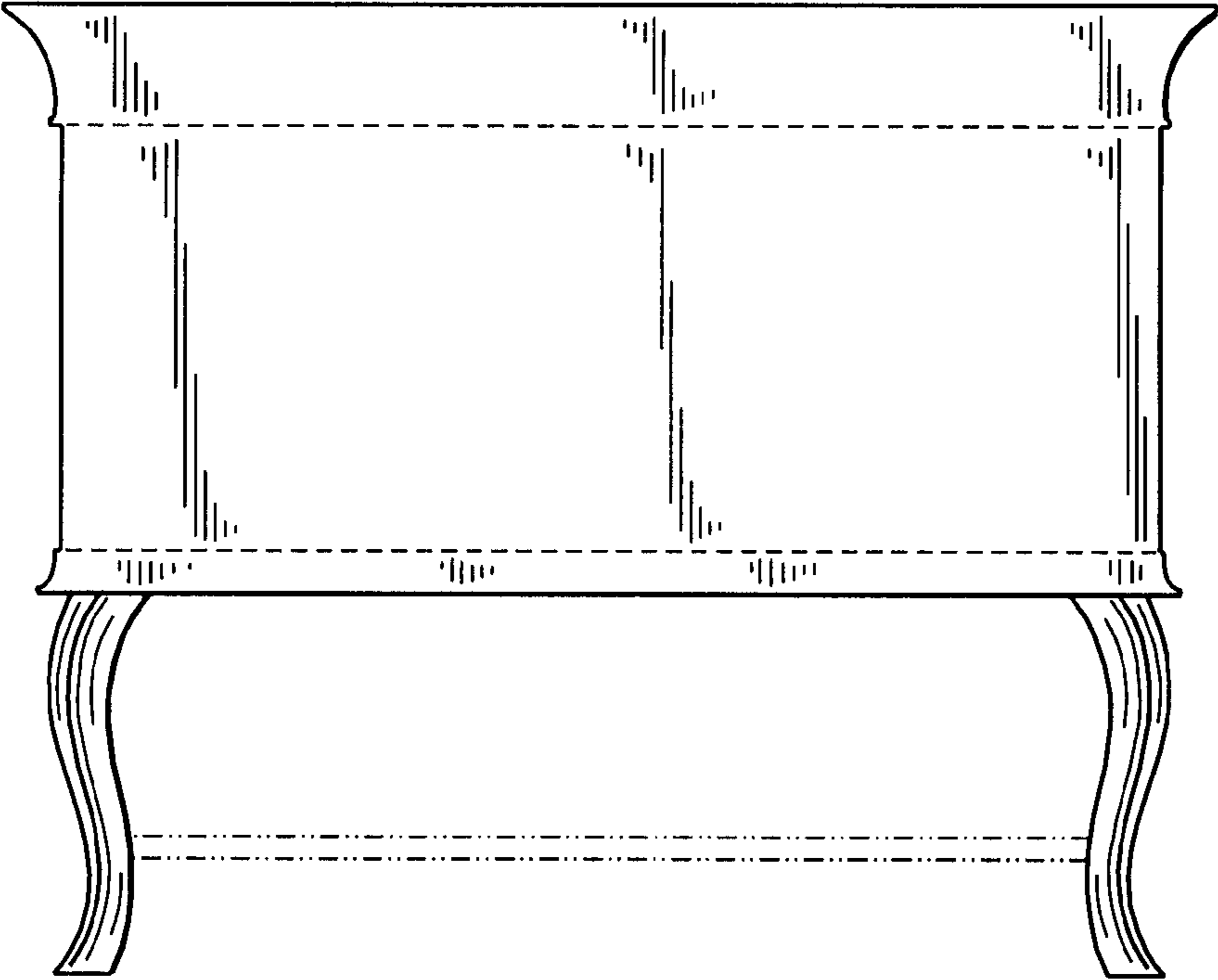


FIG. 5

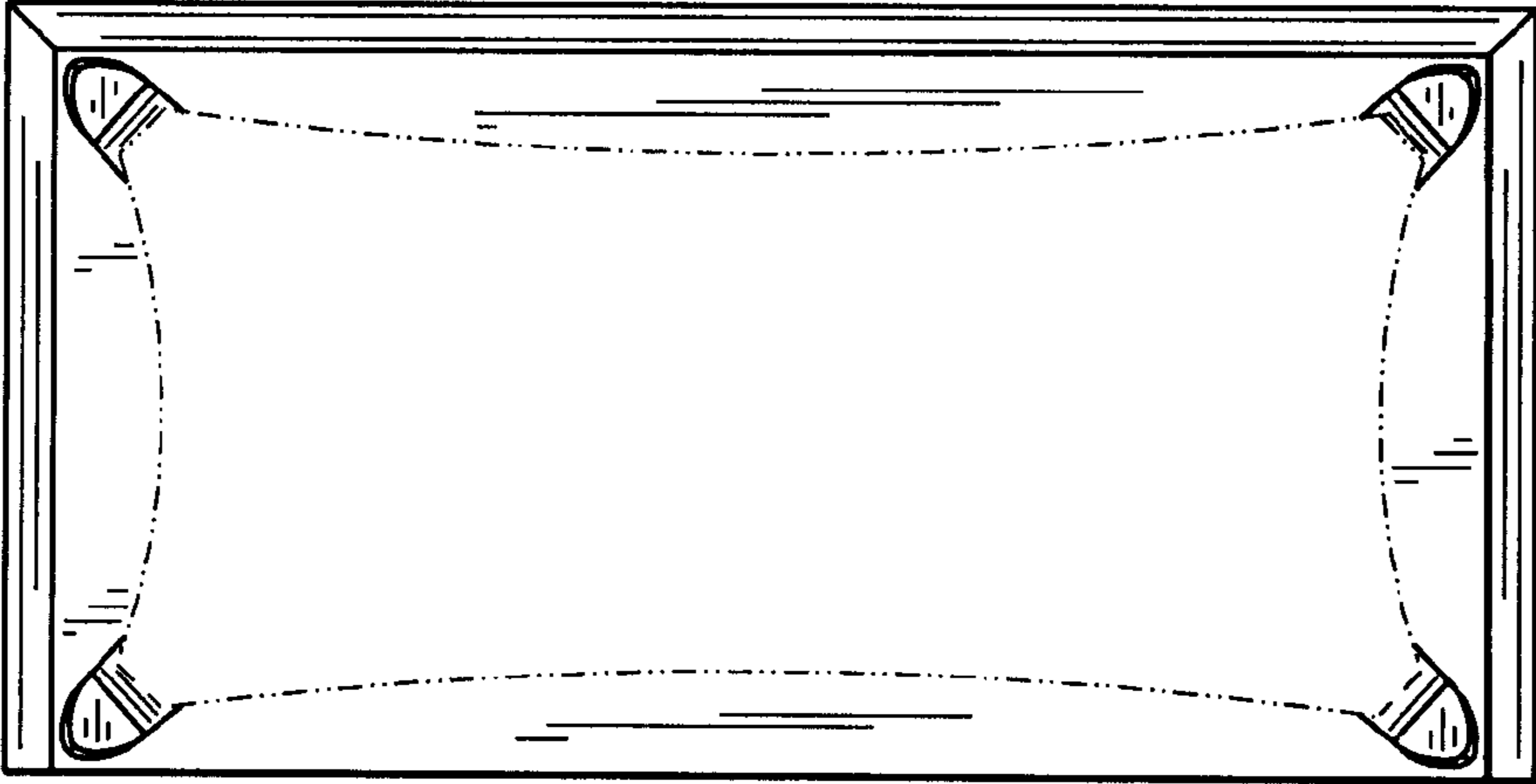


FIG. 6