



US00D553385S

(12) **United States Design Patent**
Soressi

(10) **Patent No.:** **US D553,385 S**

(45) **Date of Patent:** **** Oct. 23, 2007**

(54) **NIGHTSTAND**

(75) Inventor: **Giorgio Soressi**, Treviso (IT)

(73) Assignee: **Mobili Malerba s.n.c. Di Malerba Nunzio & C.**, Mombaroccio (Pesaro) (IT)

(**) Term: **14 Years**

(21) Appl. No.: **29/262,754**

(22) Filed: **Jul. 11, 2006**

(30) **Foreign Application Priority Data**

Mar. 19, 2006 (EM) I 000497847-0001

(51) **LOC (8) Cl.** **06-04**

(52) **U.S. Cl.** **D6/436; D6/445**

(58) **Field of Classification Search** D6/397,
D6/434, 435, 441, 444-446, 436-439; 312/204,
312/224, 238

See application file for complete search history.

(56) **References Cited**

U.S. PATENT DOCUMENTS

D140,590 S * 3/1945 Glass D6/445
D190,654 S * 6/1961 Borden D6/436
D247,729 S * 4/1978 Robinson D6/445
D293,864 S * 1/1988 Rosen D6/446

D336,392 S * 6/1993 Whalen D6/446
D408,652 S * 4/1999 Muller D6/436
D501,734 S * 2/2005 DiPersia D6/436

* cited by examiner

Primary Examiner—Cathron C. Brooks

(74) *Attorney, Agent, or Firm*—Gardere Wynne Sewell LLP

(57) **CLAIM**

The ornamental design for a nightstand, as shown and described.

DESCRIPTION

FIG. 1 is a perspective view of a nightstand in accordance with my invention;

FIG. 2 is a front elevation view of the nightstand shown in FIG. 1;

FIG. 3 is a rear elevation view of the nightstand shown in FIG. 1;

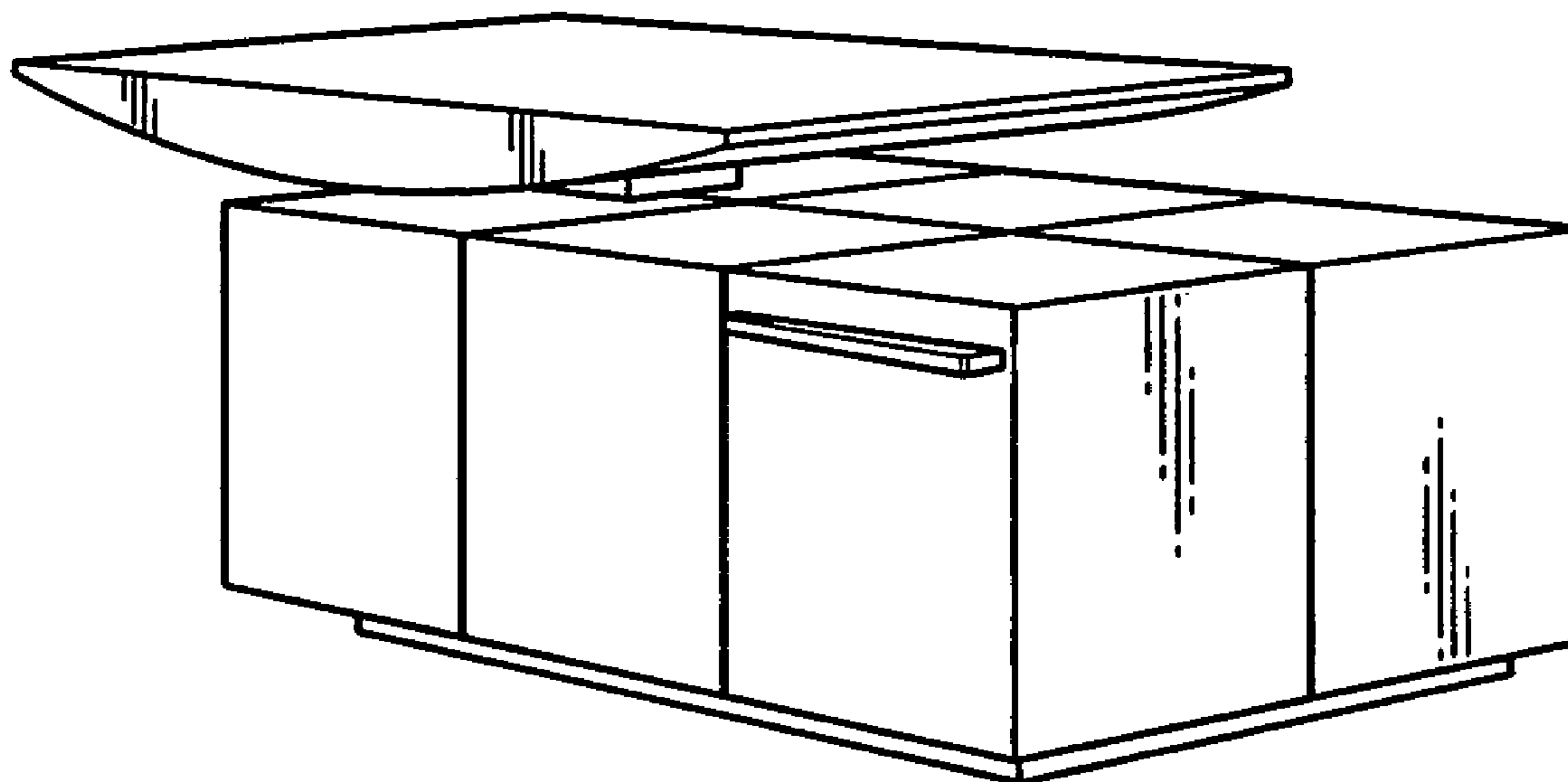
FIG. 4 is a right side elevation view of the nightstand shown in FIG. 1; and

FIG. 5 is a left side elevation view of the nightstand shown in FIG. 1; and,

FIG. 6 is a top plan view of the nightstand shown in FIG. 1.

The bottom side of the nightstand is unadorned.

1 Claim, 4 Drawing Sheets



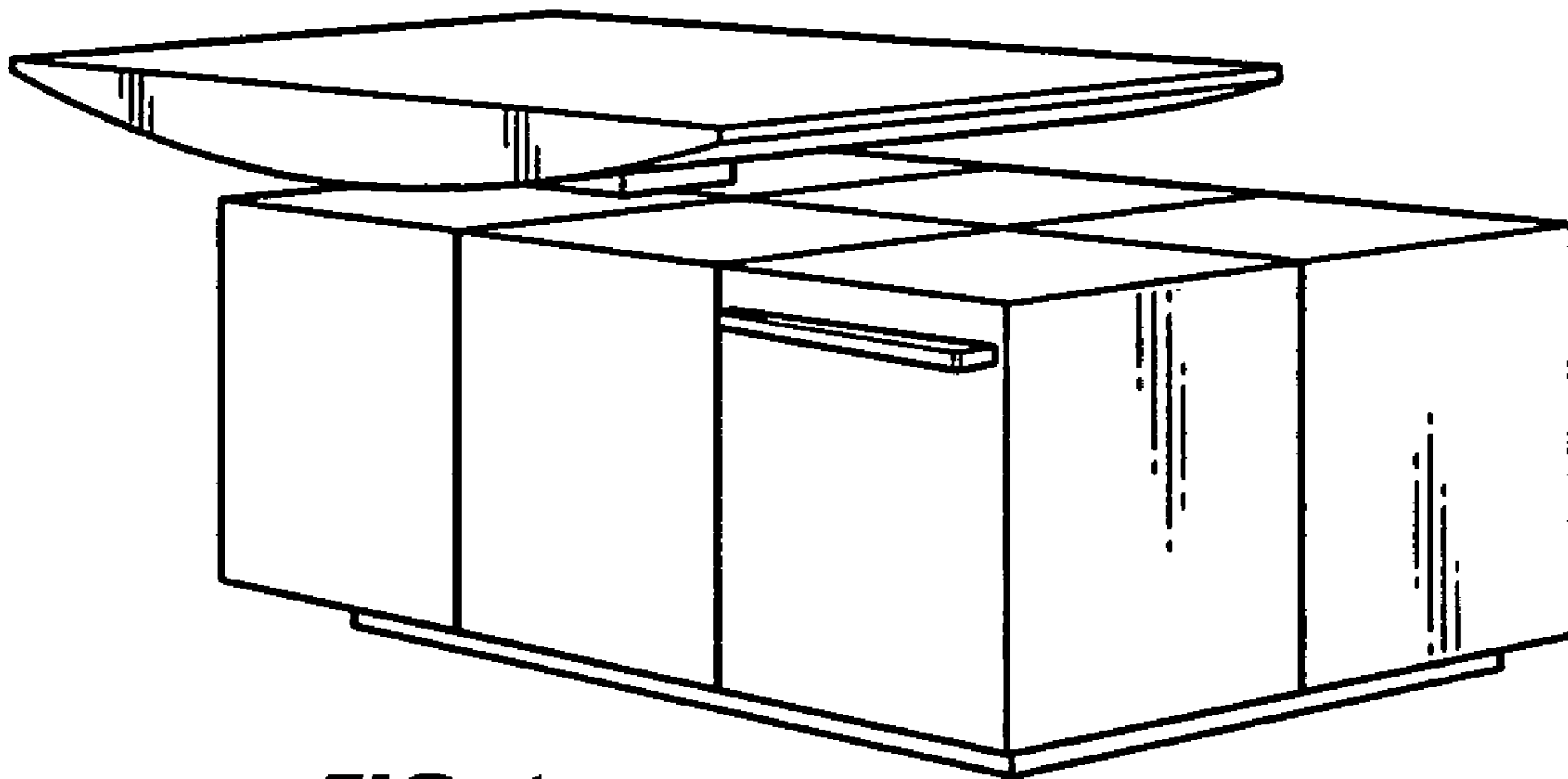


FIG. 1

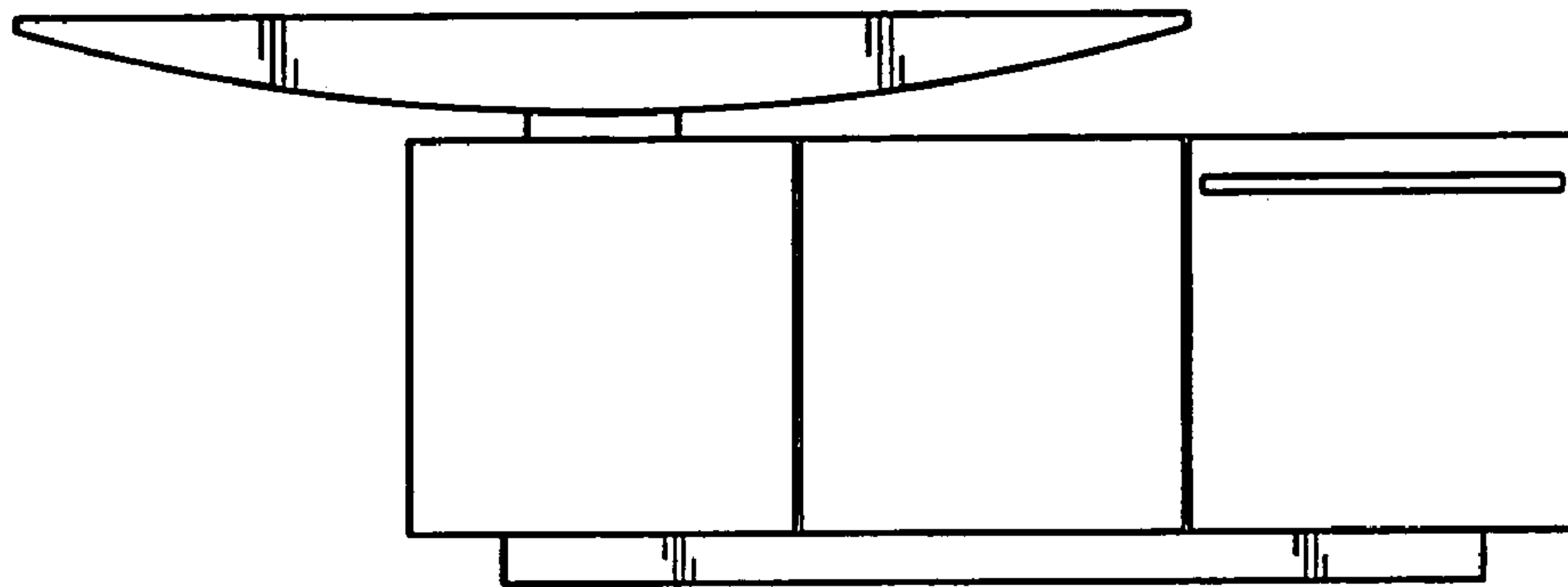


FIG. 2

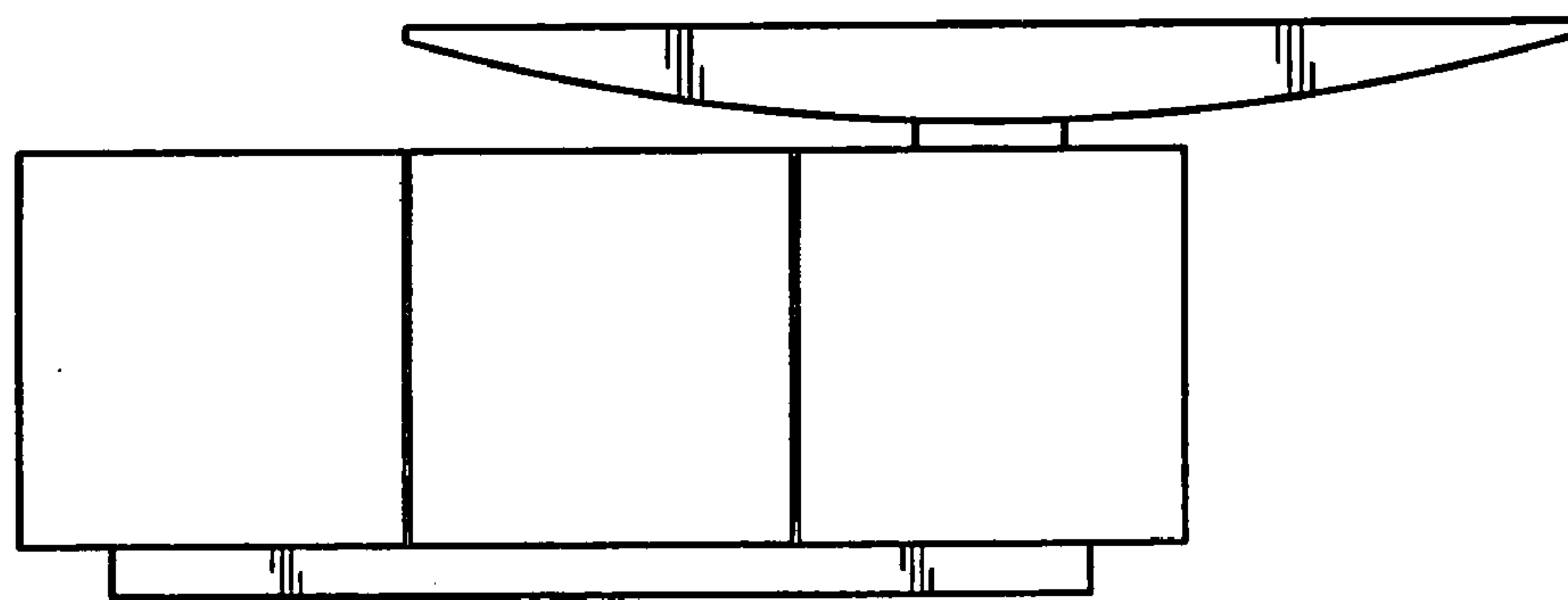


FIG. 3

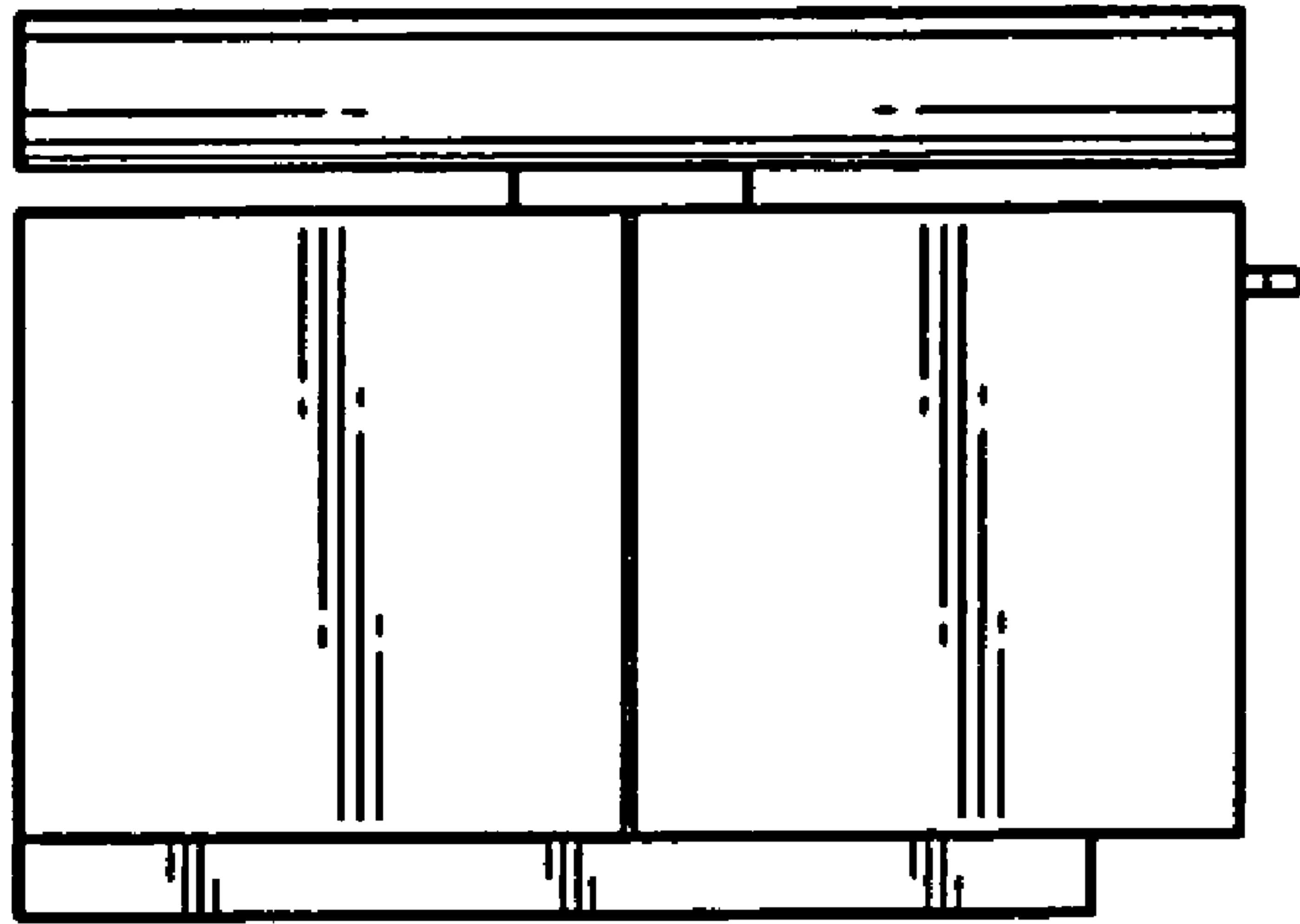


FIG. 4

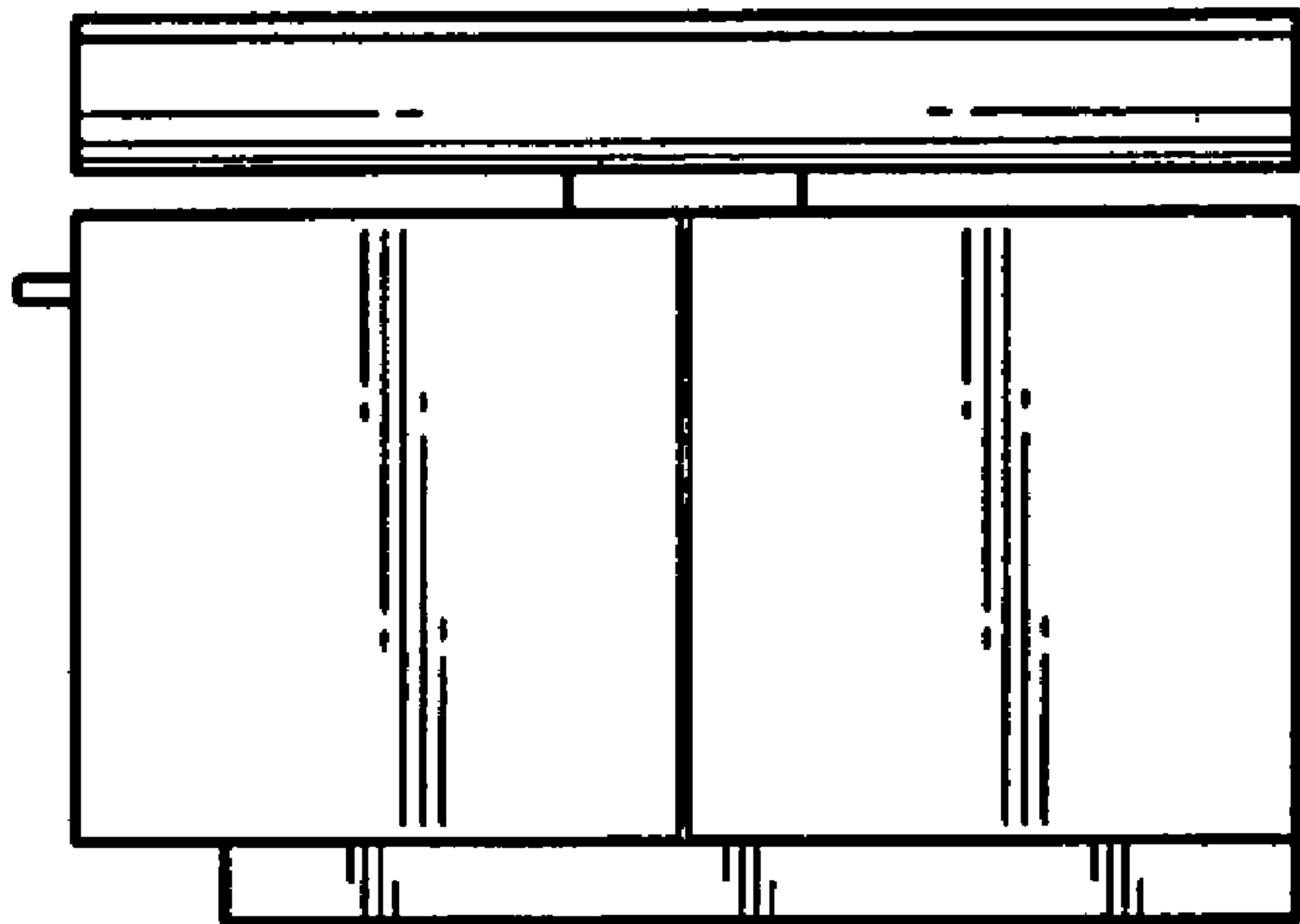


FIG. 5

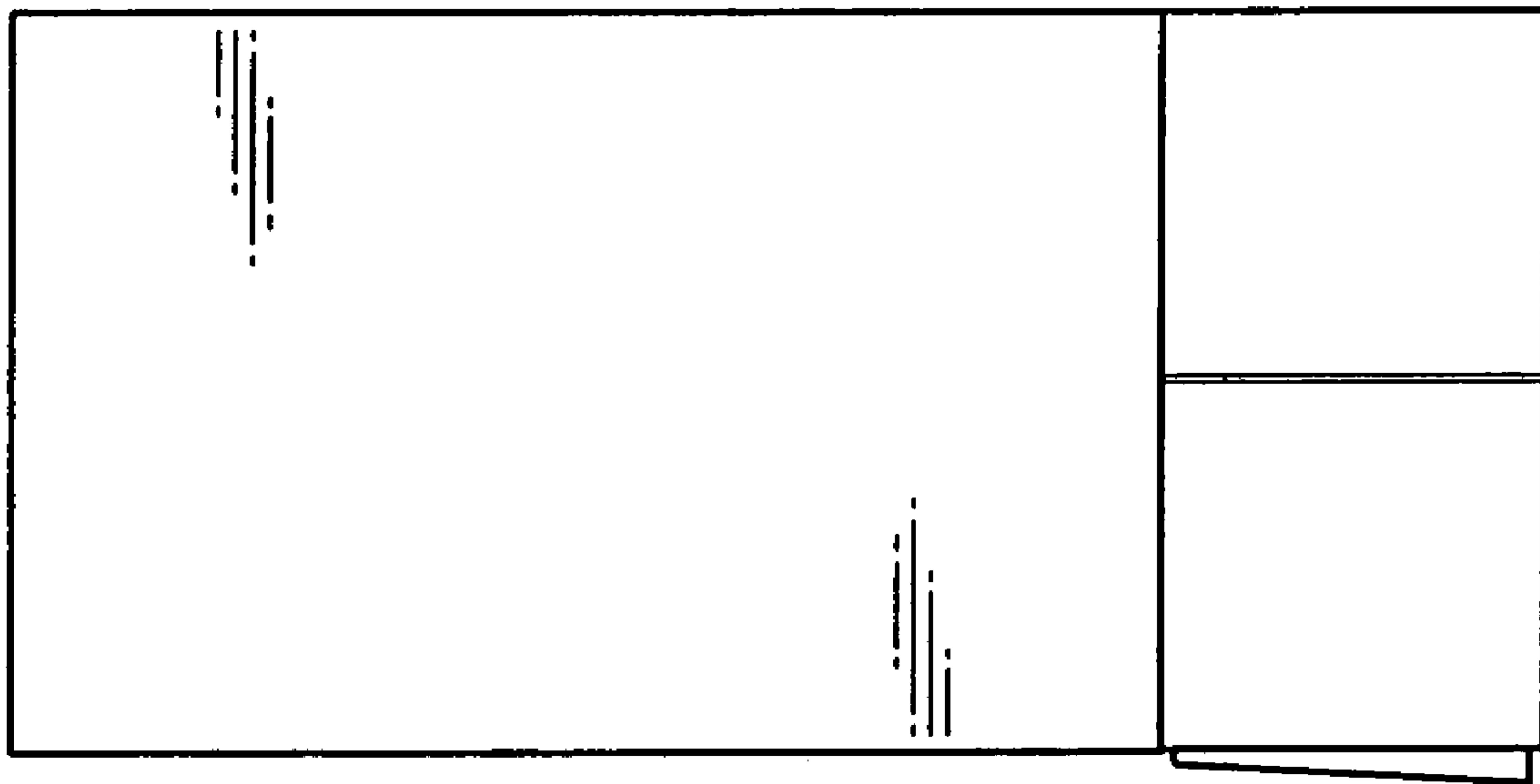


FIG. 6