



US00D553383S

(12) **United States Design Patent** (10) **Patent No.:** **US D553,383 S**
O'Hare et al. (45) **Date of Patent:** **** Oct. 23, 2007**

(54) **BED HEADBOARD AND FOOTBOARD**

D519,764 S 5/2006 O'Hare

(75) Inventors: **Timothy M. O'Hare**, Oak Ridge, NC (US); **Scott M. Risdon**, Greensboro, NC (US)

(73) Assignee: **Thomasville Furniture Industries, Inc.**, Thomasville, NC (US)

(**) Term: **14 Years**

(21) Appl. No.: **29/247,574**

(22) Filed: **Jun. 27, 2006**

(51) **LOC (8) Cl.** **06-01**

(52) **U.S. Cl.** **D6/393**

(58) **Field of Classification Search** D6/382-383, D6/389-395, 505-508, 503; 5/53.1, 279, 5/280, 281, 907

See application file for complete search history.

(56) **References Cited**

U.S. PATENT DOCUMENTS

- D443,432 S * 6/2001 Vaaler D6/393
- D466,343 S 12/2002 Cain
- D470,331 S 2/2003 Stanton
- D474,917 S * 5/2003 Risdon D6/393
- D485,696 S * 1/2004 Risdon et al. D6/393
- D493,976 S * 8/2004 Bergelin D6/393

OTHER PUBLICATIONS

Headboard, unknown source, probably a California Company, date unknown, available as of Jun. 26, 2006.

* cited by examiner

Primary Examiner—Janice E. Seeger

(74) *Attorney, Agent, or Firm*—Jack B. Hicks; Womble Carlyle Sandridge & Rice, PLLC

(57) **CLAIM**

The ornamental design for a bed headboard and footboard, as shown and described.

DESCRIPTION

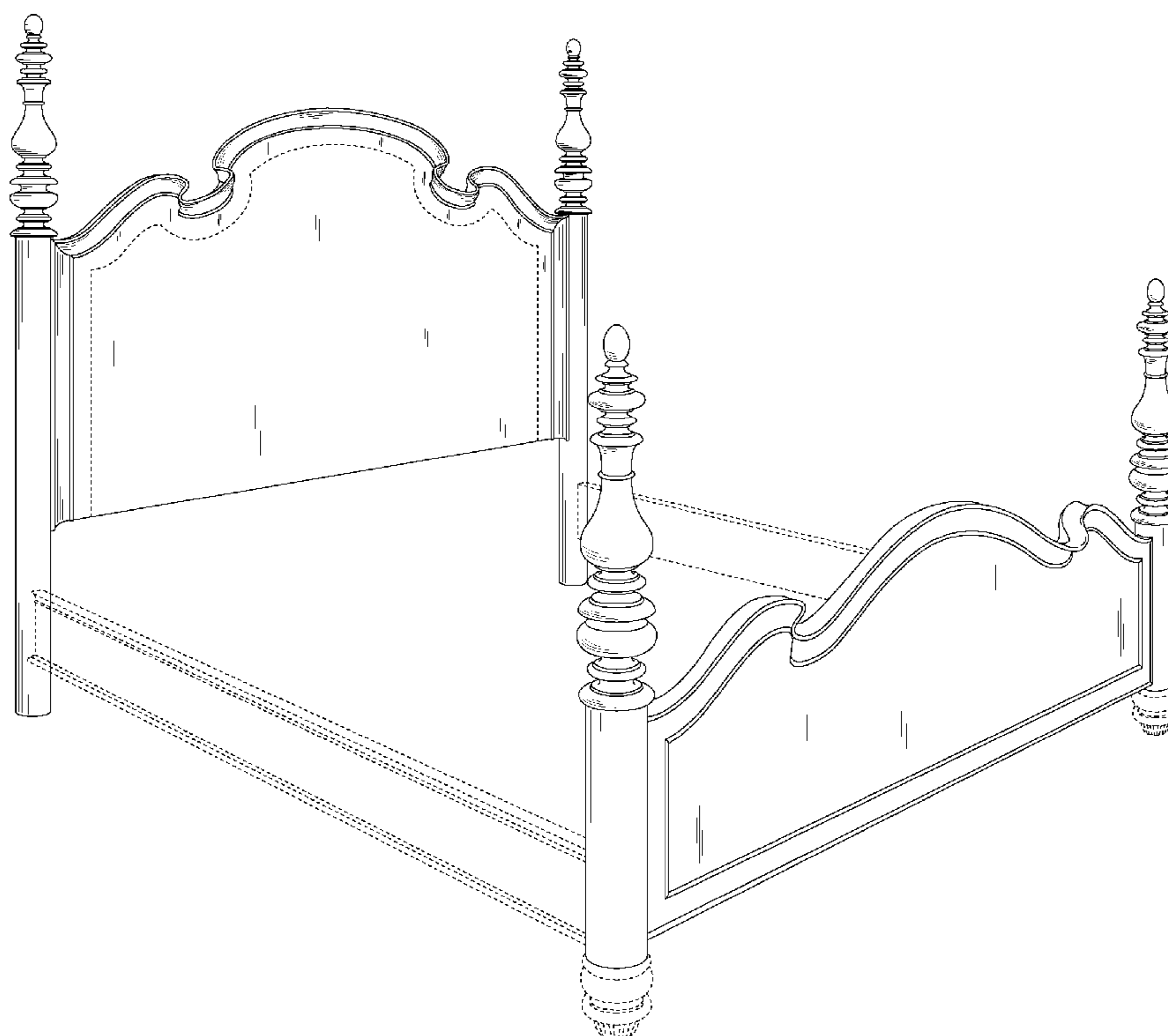
FIG. 1 is a left front perspective view of a bed headboard and footboard showing my new design;

FIG. 2 is a front elevational view thereof; and,

FIG. 3 is a side elevational view, the opposite side being a mirror image thereof.

The views of the bed headboard and footboard not shown form no part of the claimed design. The broken lines depicting bed rails, optional ornamentation on headboard and feet represent environmental elements only and form no part of the claimed design.

1 Claim, 3 Drawing Sheets



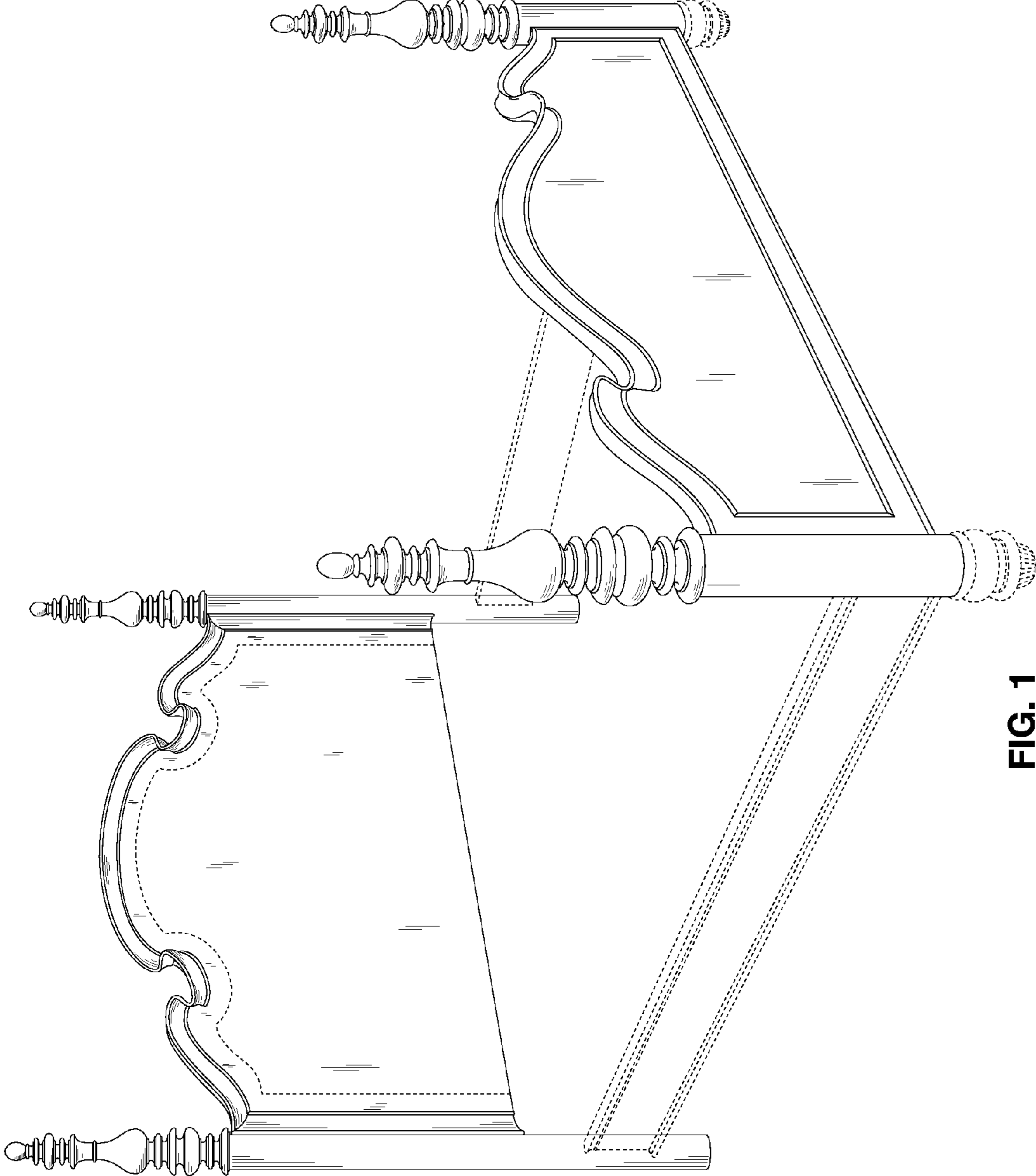


FIG. 1

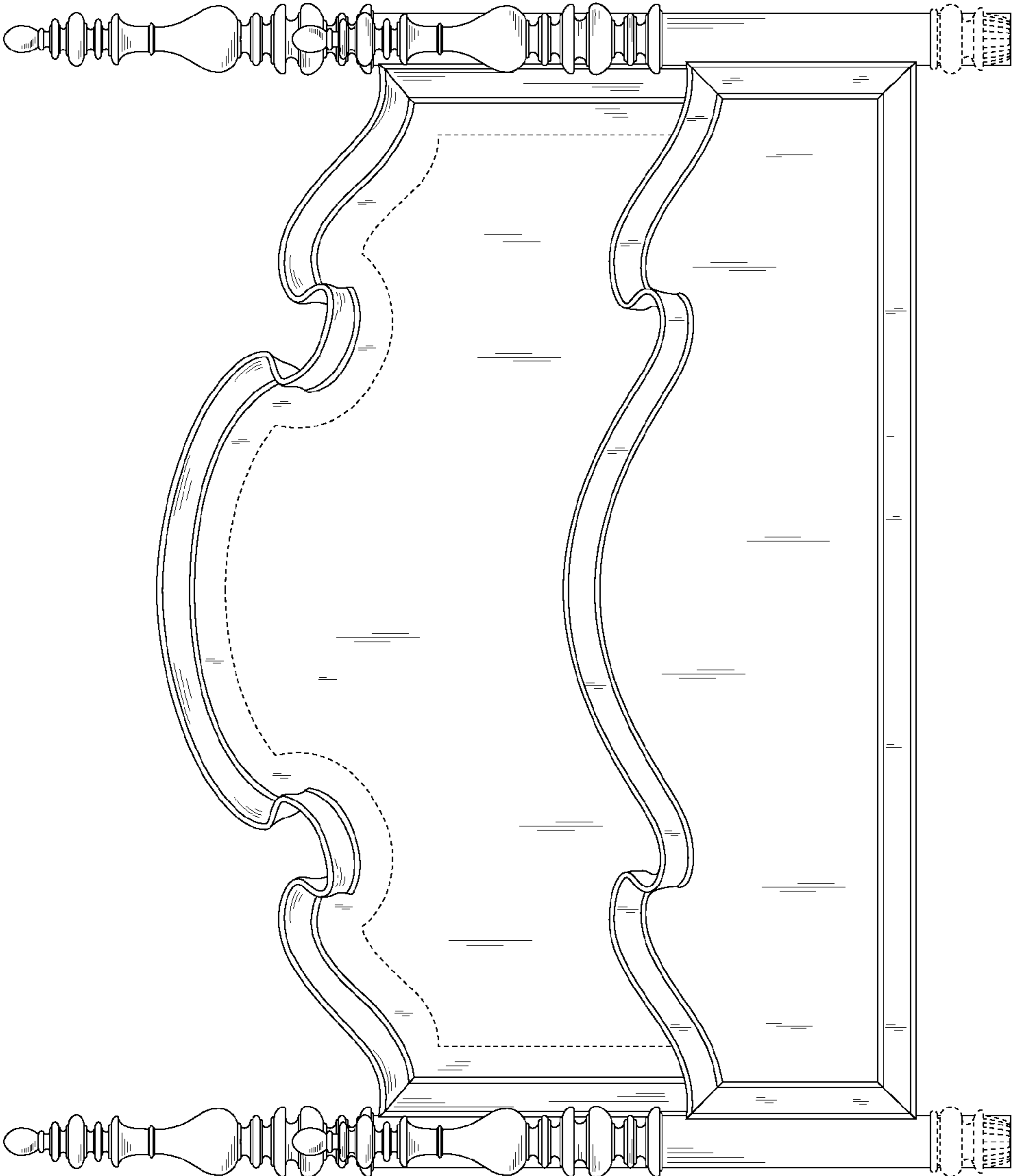


FIG. 2

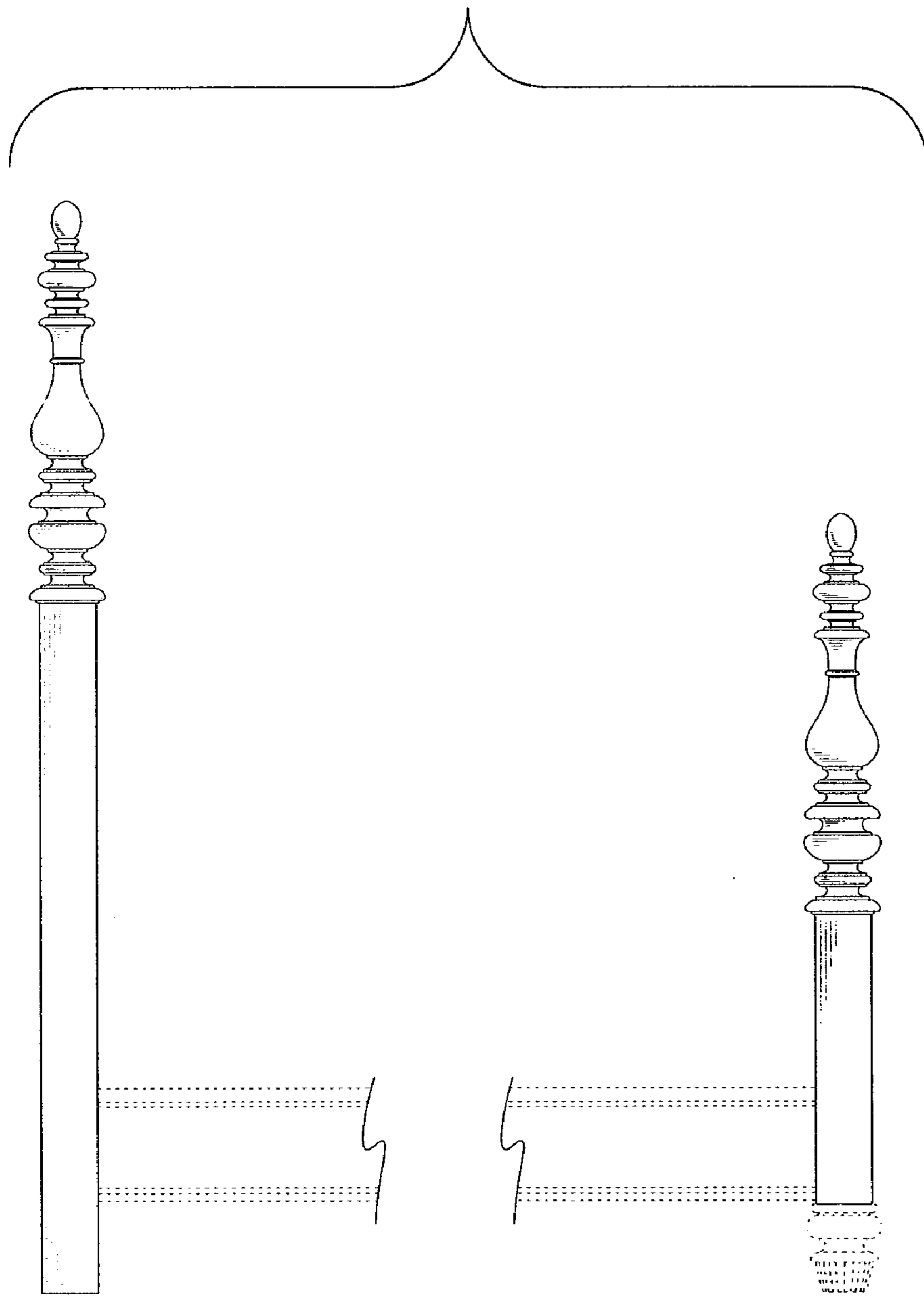


FIG. 3