



US00D553382S

(12) **United States Design Patent**
Hayes et al.

(10) **Patent No.:** **US D553,382 S**

(45) **Date of Patent:** **** Oct. 23, 2007**

(54) **HOSPITAL BED**

(75) Inventors: **Stephen Hayes**, Dudley (GB); **Stephen Hollyoak**, Kingswinford (GB)

(73) Assignee: **Huntleigh Technology Limited** (GB)

(**) Term: **14 Years**

(21) Appl. No.: **29/259,871**

(22) Filed: **May 15, 2006**

(30) **Foreign Application Priority Data**

Nov. 14, 2005 (GB) 3023117

(51) **LOC (8) Cl.** **06-01**

(52) **U.S. Cl.** **D6/392**

(58) **Field of Classification Search** D6/382-383,
D6/389-395, 505-508, 503; D24/183; 5/53.1,
5/279, 280, 281, 907, 178-180, 617, 618,
5/600

See application file for complete search history.

(56) **References Cited**

U.S. PATENT DOCUMENTS

D229,381 S * 11/1973 Benoit D6/392
D370,135 S * 5/1996 Meiners D6/382

D377,872 S * 2/1997 Biefnot et al. D6/392
2005/0172405 A1 * 8/2005 Menkedick et al. 5/618
2006/0075560 A1 * 4/2006 Osborne et al. 5/618
2006/0168731 A1 * 8/2006 Menkedick et al. 5/618

* cited by examiner

Primary Examiner—Janice E. Seeger

(74) *Attorney, Agent, or Firm*—Craig A. Fieschko, Esq.;
DeWitt Ross & Stevens S.C.

(57) **CLAIM**

The ornamental design for a hospital bed, as shown and described.

DESCRIPTION

FIG. 1 is a perspective view from the right of my new design;

FIG. 2 is a front elevational view thereof;

FIG. 3 is a rear elevational view thereof;

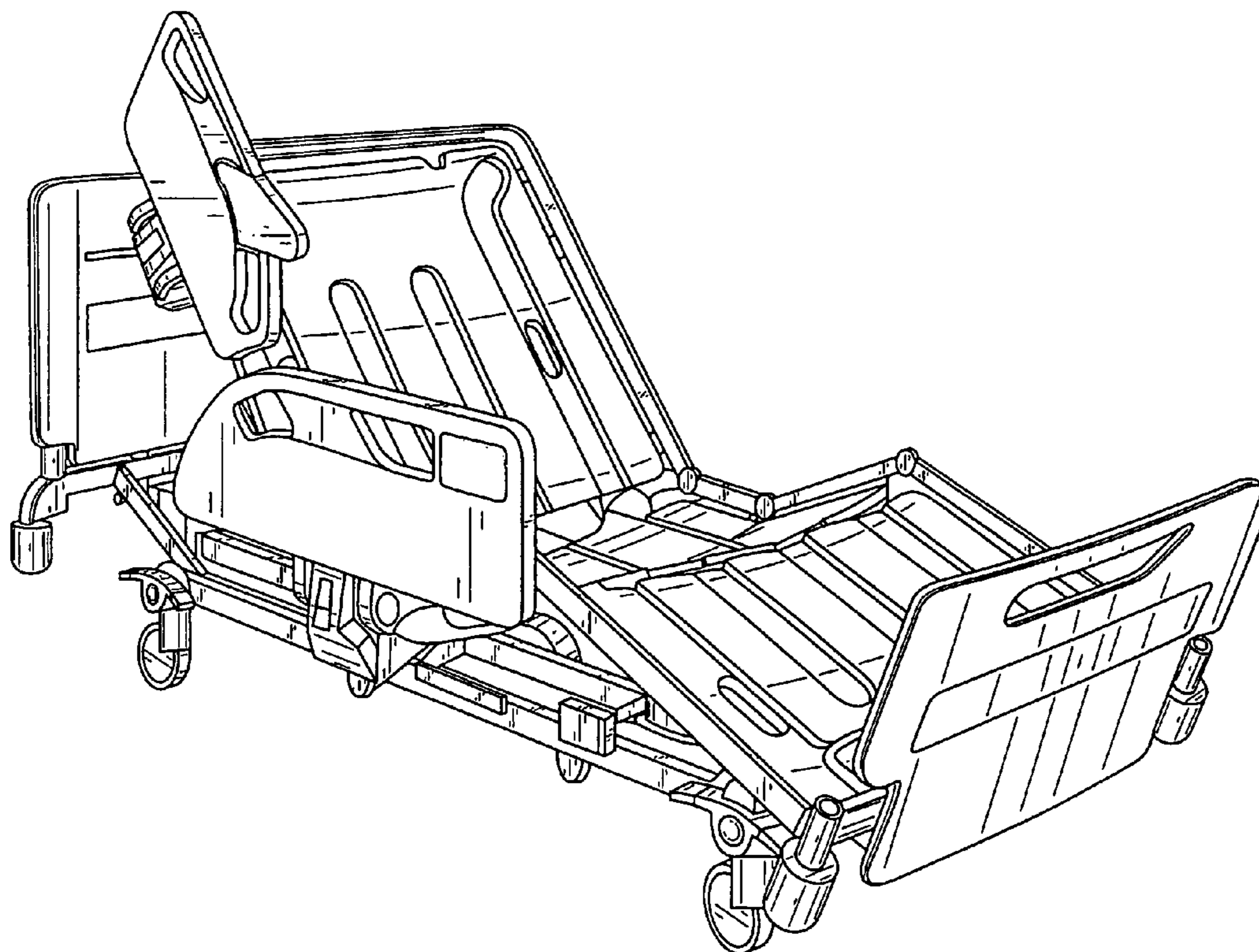
FIG. 4 is a right side elevational view thereof;

FIG. 5 is a left side elevational view thereof;

FIG. 6 is a top plan view thereof; and,

FIG. 7 is a perspective view from the left thereof.

1 Claim, 7 Drawing Sheets



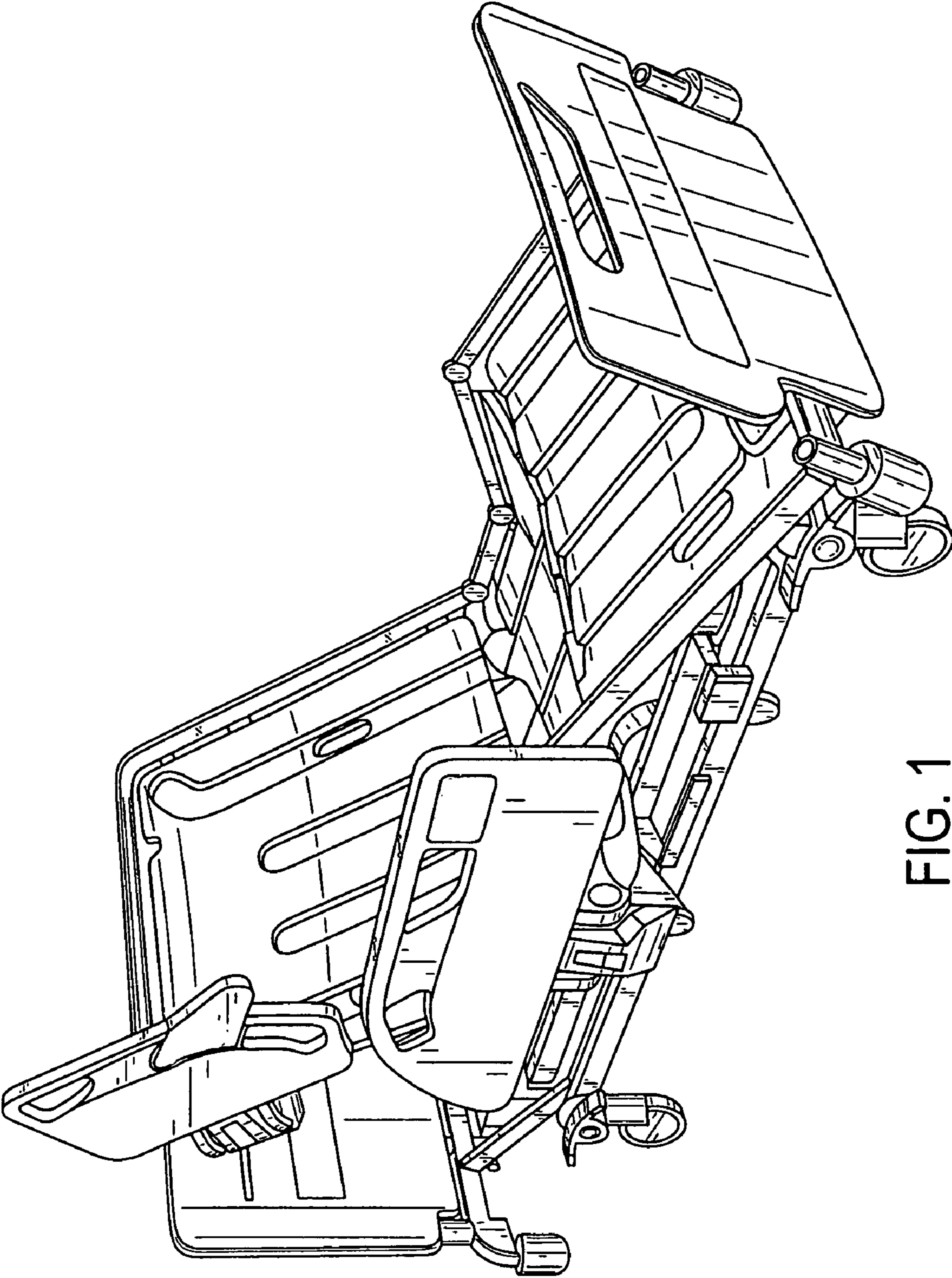


FIG. 1

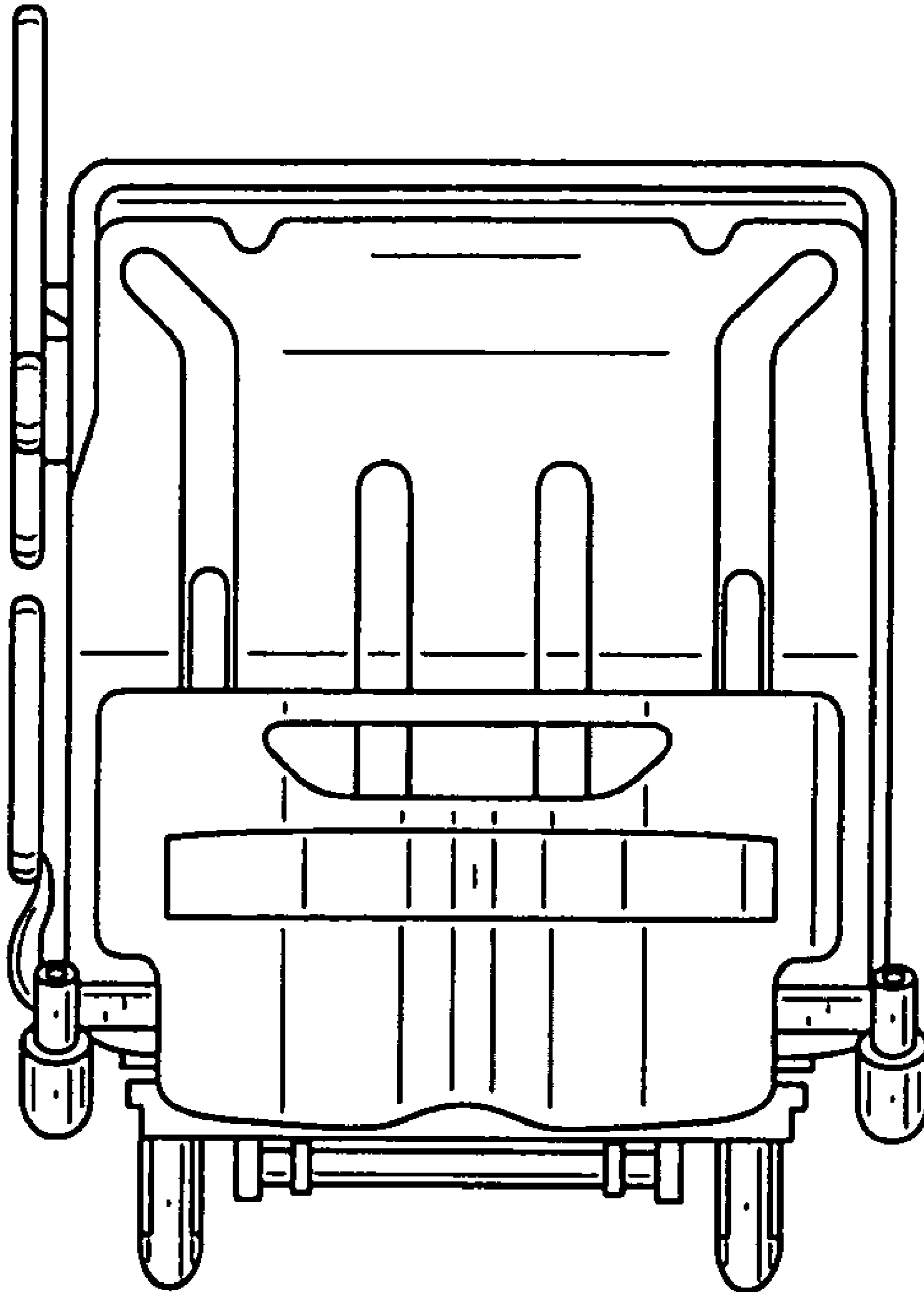


FIG. 2

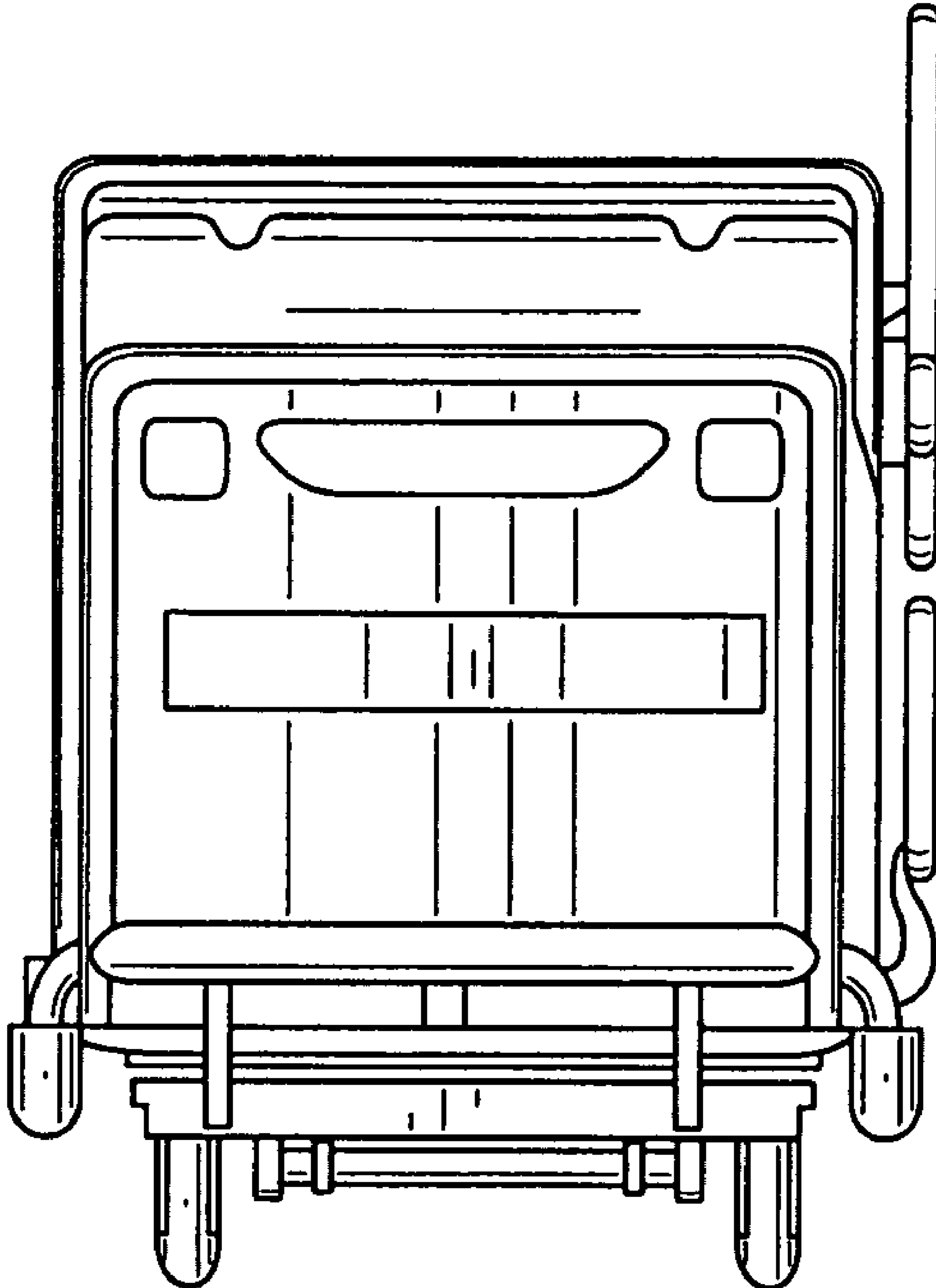


FIG. 3

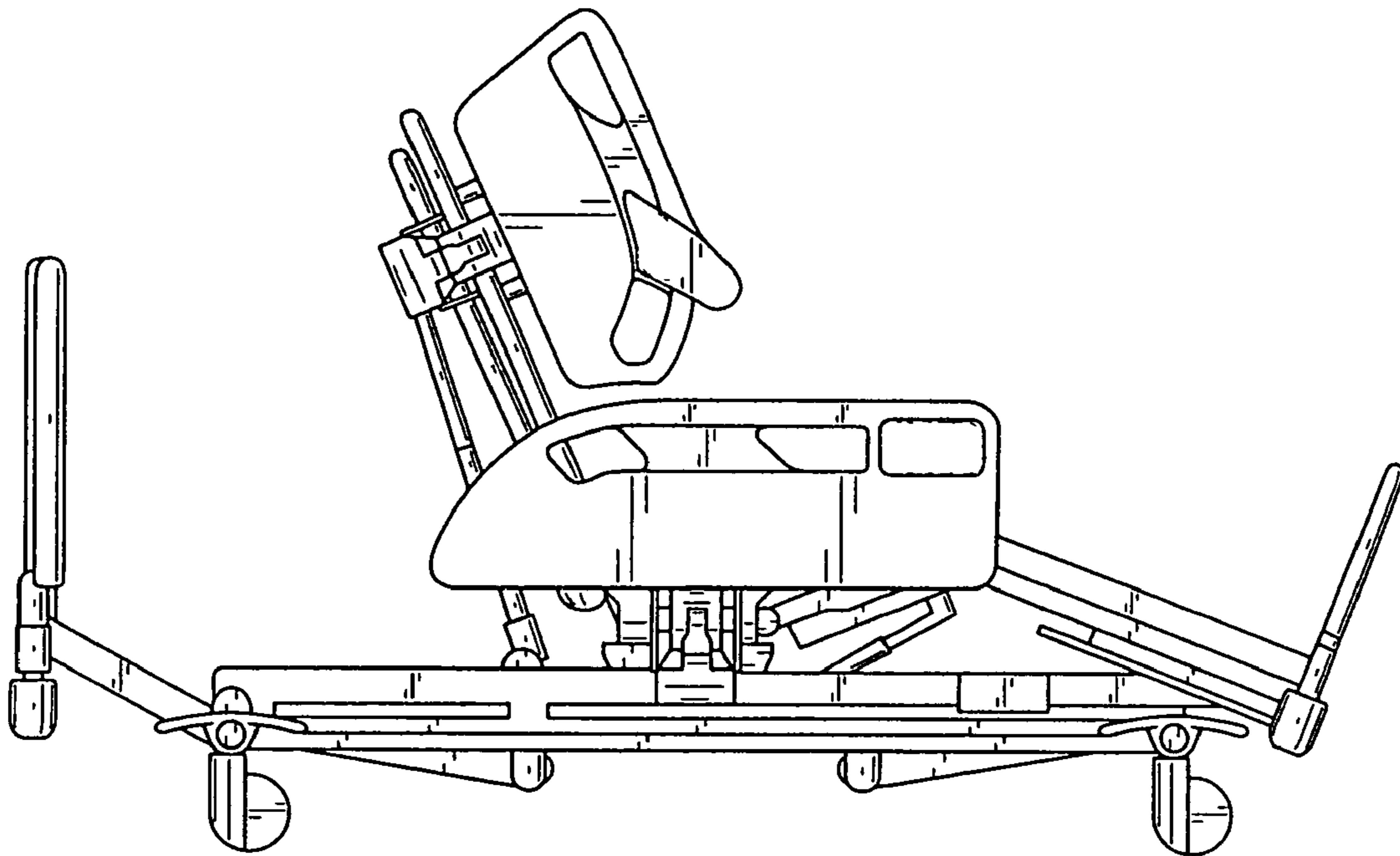


FIG. 4

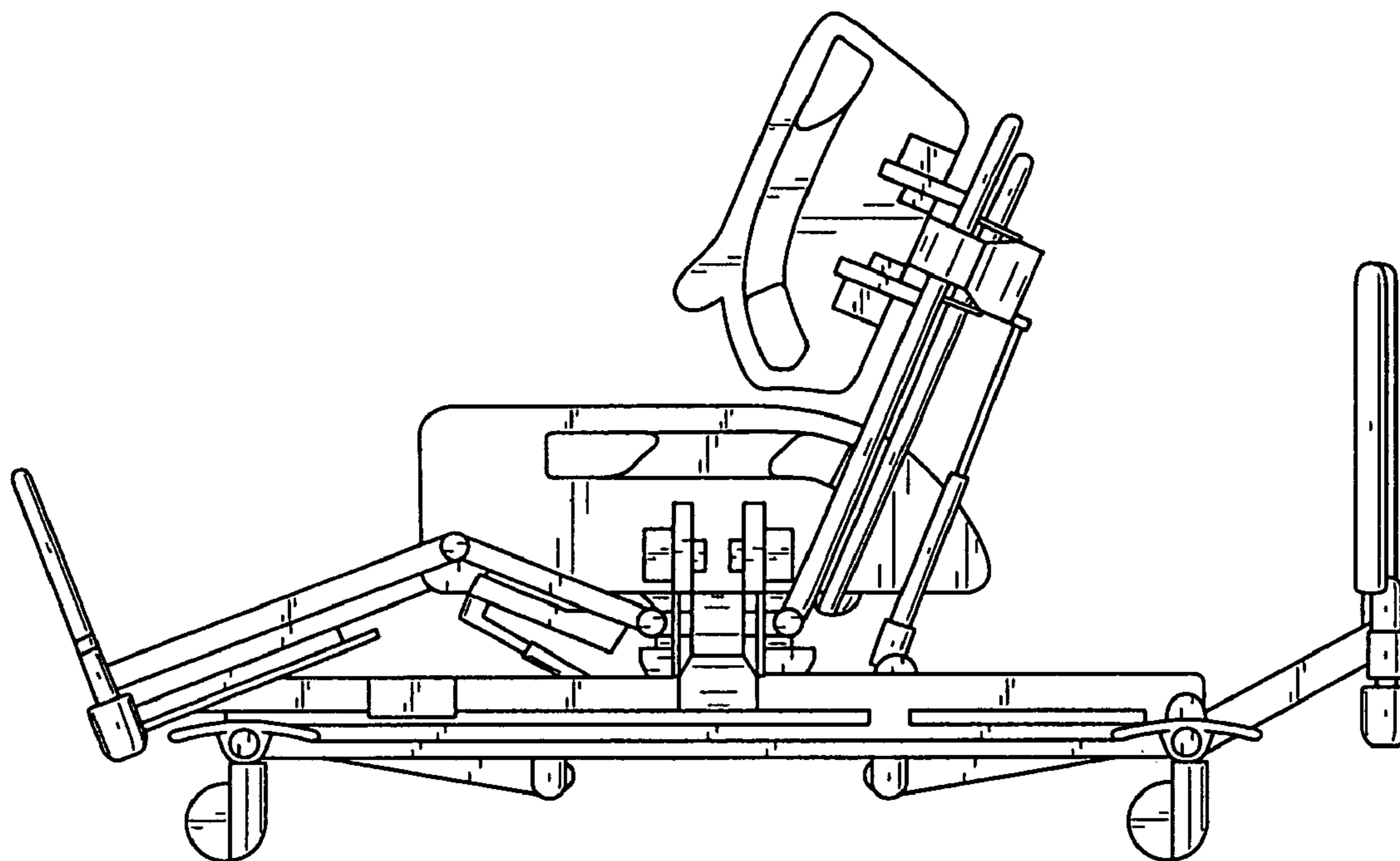


FIG. 5

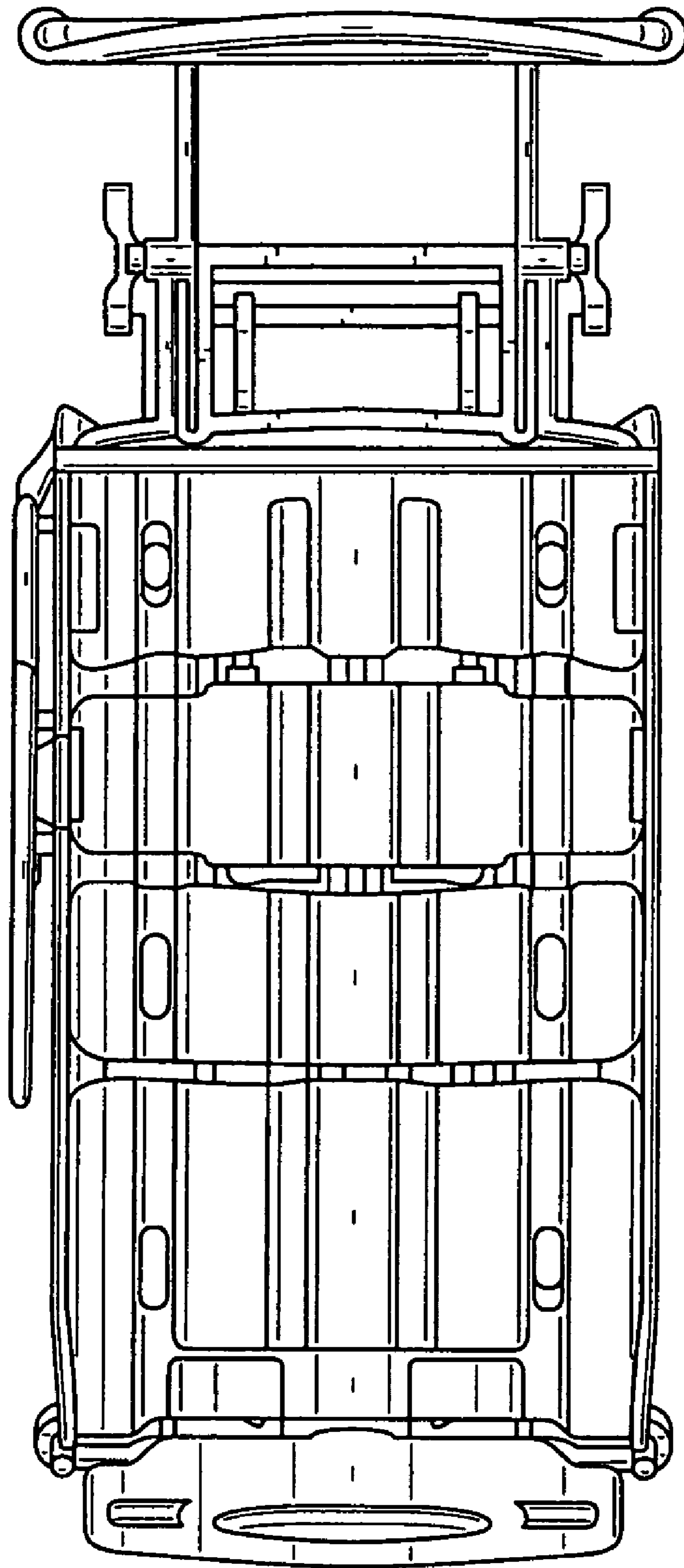


FIG. 6

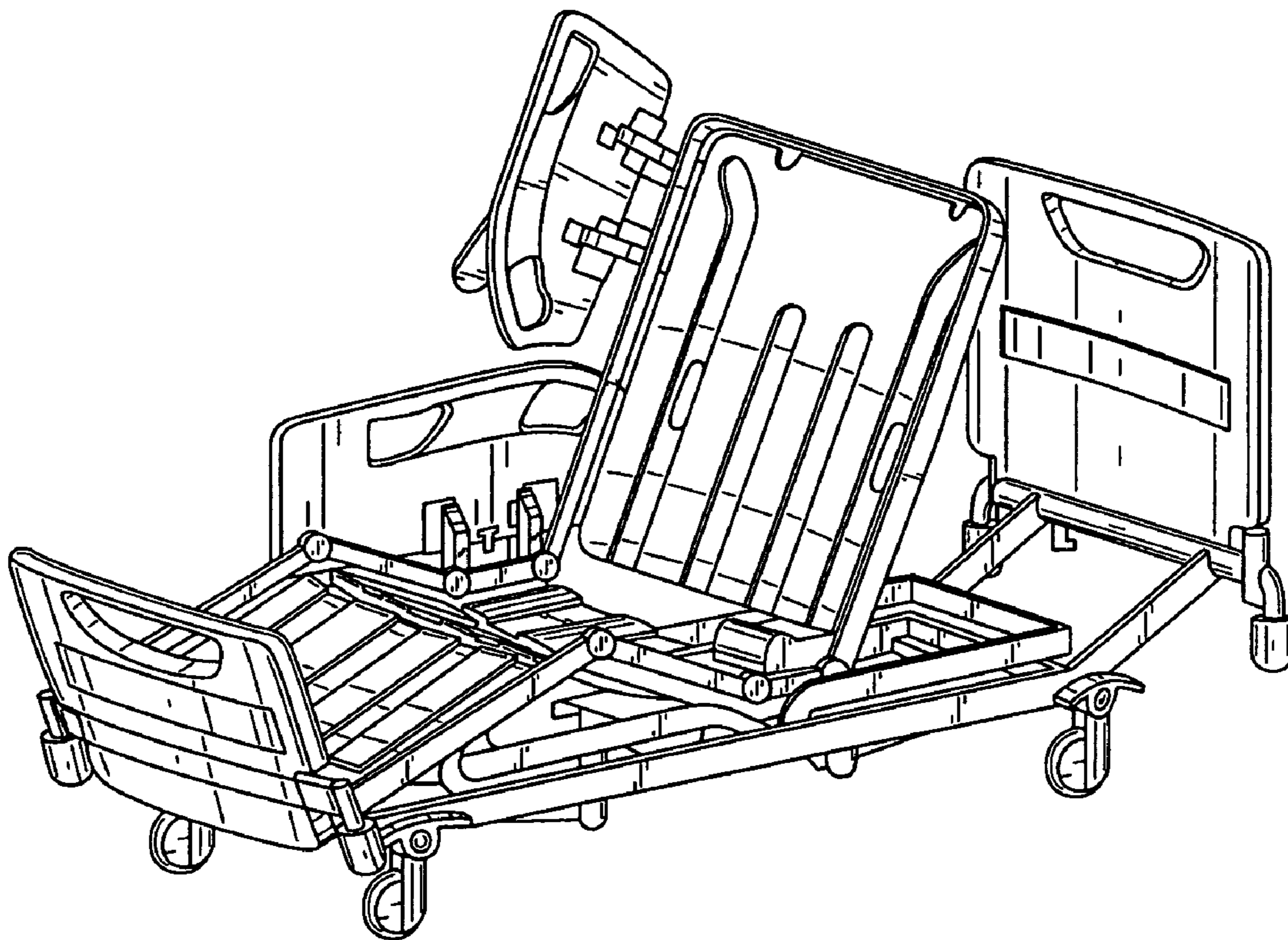


FIG. 7