



US00D553379S

(12) **United States Design Patent**
Genelli

(10) **Patent No.:** **US D553,379 S**

(45) **Date of Patent:** **** Oct. 23, 2007**

(54) **MASSAGE COUCH**

(75) Inventor: **Angelo Silvio Genelli**, Azzanello (IT)

(73) Assignee: **Brusaferrri & C. S.R.L.**, Milan (IT)

(**) Term: **14 Years**

(21) Appl. No.: **29/233,396**

(22) Filed: **Jul. 5, 2005**

(30) **Foreign Application Priority Data**

Jan. 5, 2005 (EM) 000276613-0001

(51) **LOC (8) Cl.** **06-01**

(52) **U.S. Cl.** **D6/367**

(58) **Field of Classification Search** D6/334-336,
D6/360, 361, 367, 382, 383, 392, 500-502;
D24/183; 5/619-620, 630, 652, 652.1, 655.9,
5/691, 733; 601/57-59, 97, 98, 148, 149,
601/49

See application file for complete search history.

(56) **References Cited**

U.S. PATENT DOCUMENTS

D245,287 S * 8/1977 Damico et al. D24/183
D267,601 S * 1/1983 Hickey D6/361
4,943,041 A * 7/1990 Romein 5/620
D337,441 S * 7/1993 Martin et al. D6/361
5,437,608 A * 8/1995 Cutler 601/49
D375,849 S * 11/1996 Conrad D6/382
D436,176 S * 1/2001 Fanuzzi D24/183
6,615,431 B2 * 9/2003 Lin 5/620

D497,493 S * 10/2004 Chen D6/382
2003/0088919 A1 * 5/2003 Lin 5/620

* cited by examiner

Primary Examiner—Mimosa De

(74) *Attorney, Agent, or Firm*—Young & Thompson

(57) **CLAIM**

The ornamental design for a massage couch, as shown and described.

DESCRIPTION

FIG. 1 is a top, side and end perspective view of a massage couch showing my new design;

FIG. 2 is a top and end perspective view thereof;

FIG. 3 is a top and side perspective view thereof;

FIG. 4 is a top and side perspective view thereof from the side opposite that shown in FIG. 3;

FIG. 5 is a top, side and end perspective view thereof from the side opposite that shown in FIG. 1;

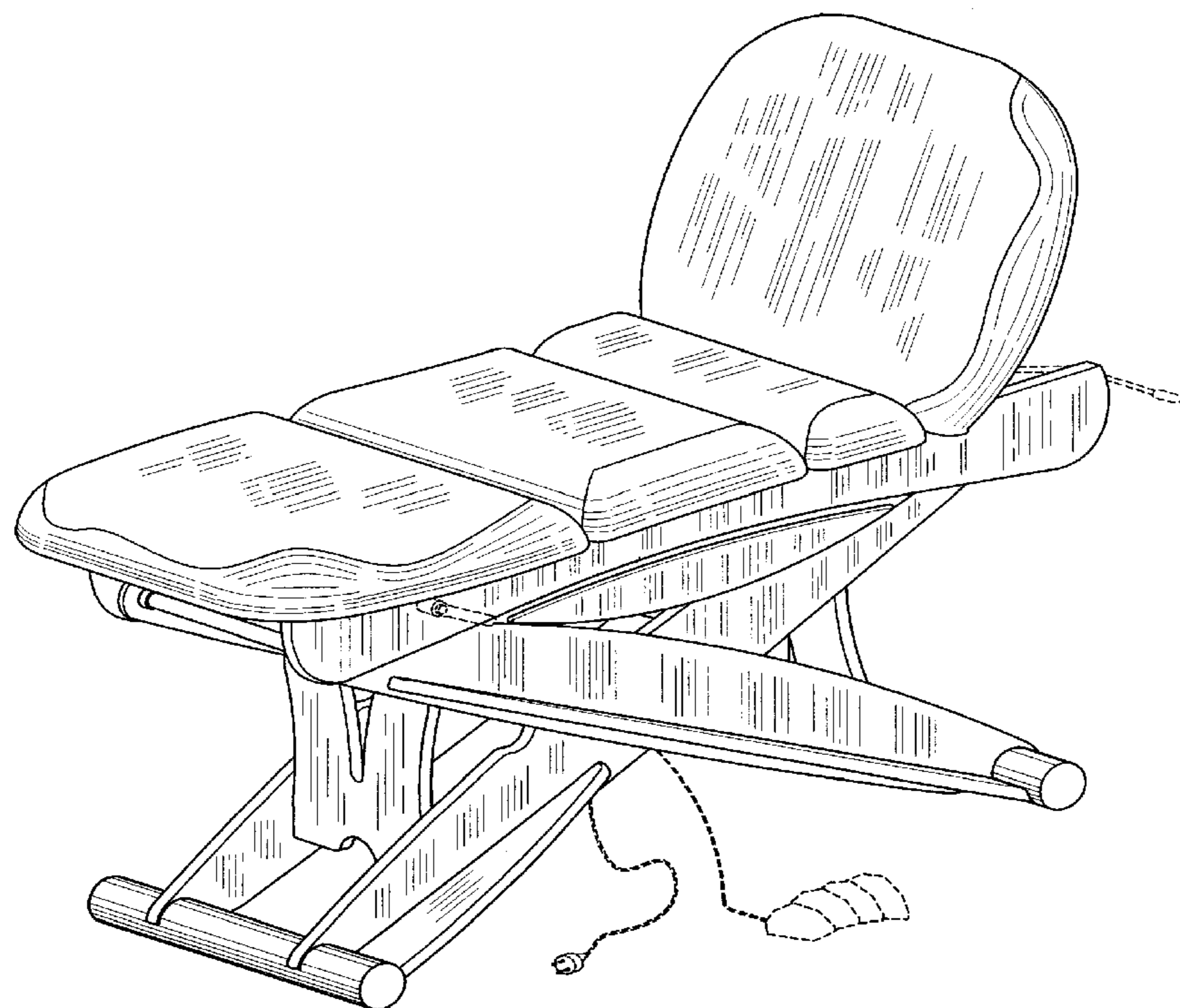
FIG. 6 is a view similar to FIG. 5 from a slightly different angle; and,

FIG. 7 is a top and end perspective view thereof.

The couch whose design is claimed is shown in two different positions, a raised position being shown in FIGS. 1 and 2 and a lowered position being shown in FIGS. 3-7.

The broken lines shown in the drawings are for illustrative purposes only and form no part of the claimed design.

1 Claim, 7 Drawing Sheets



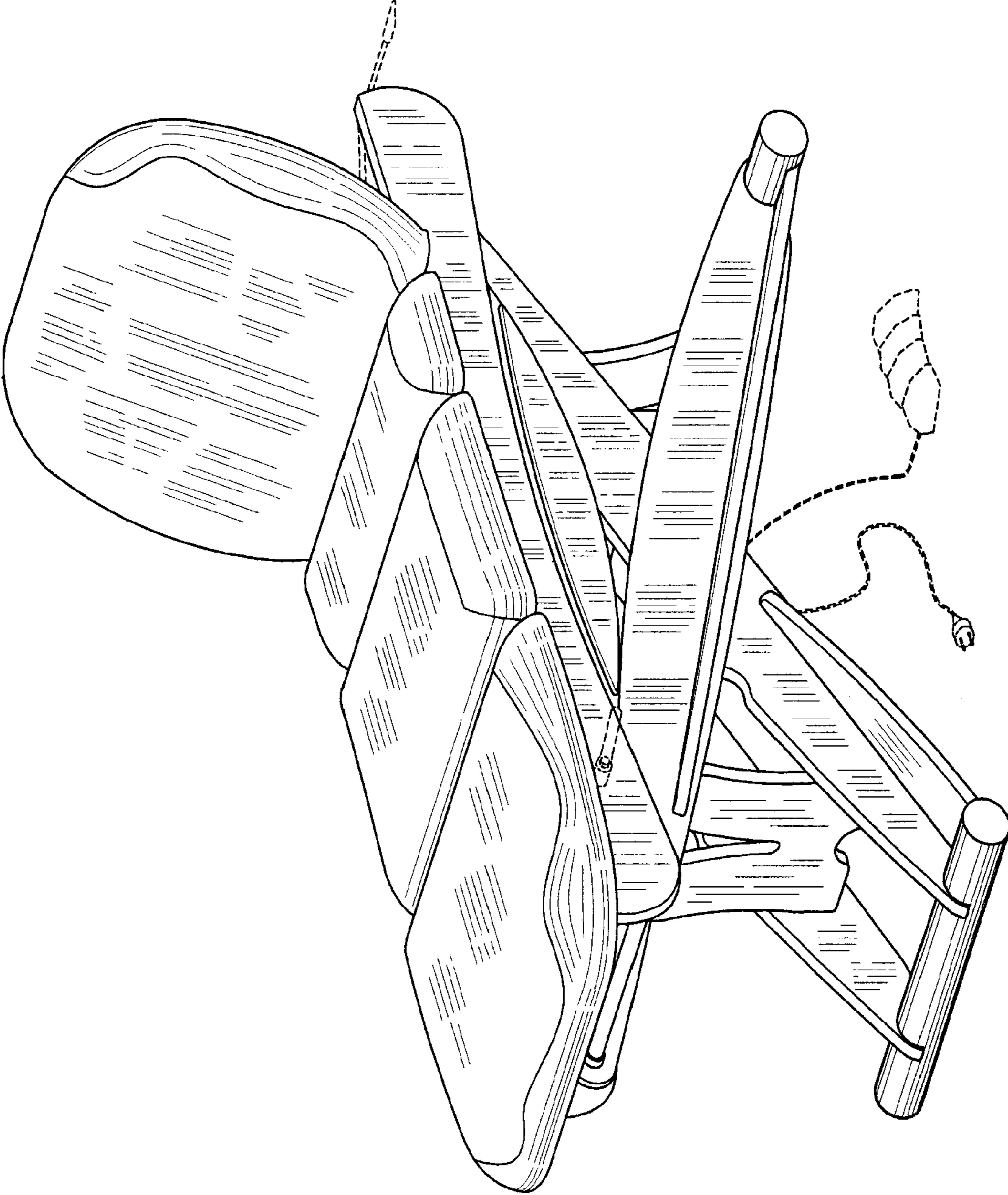


FIG. 1

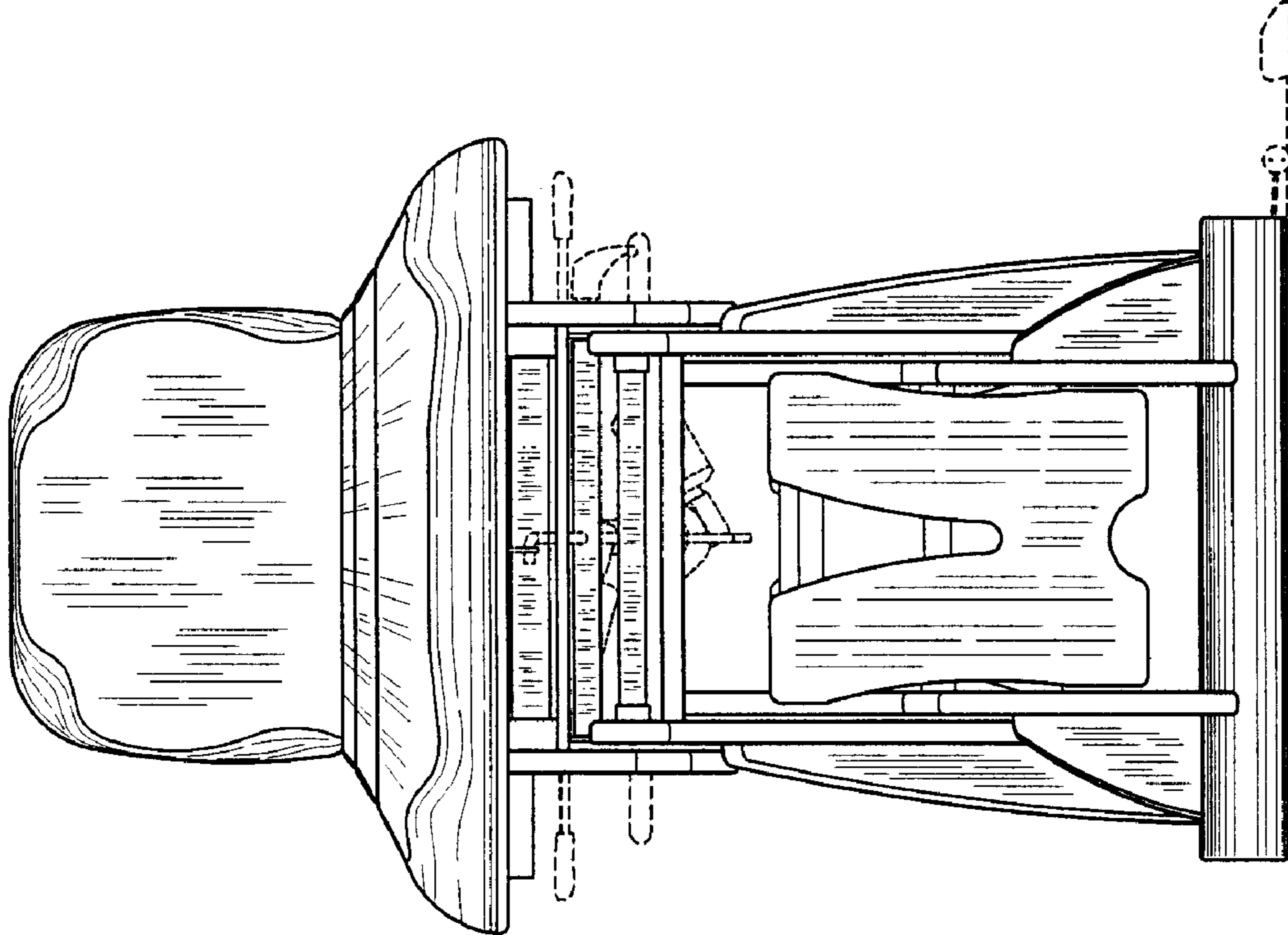


FIG. 2

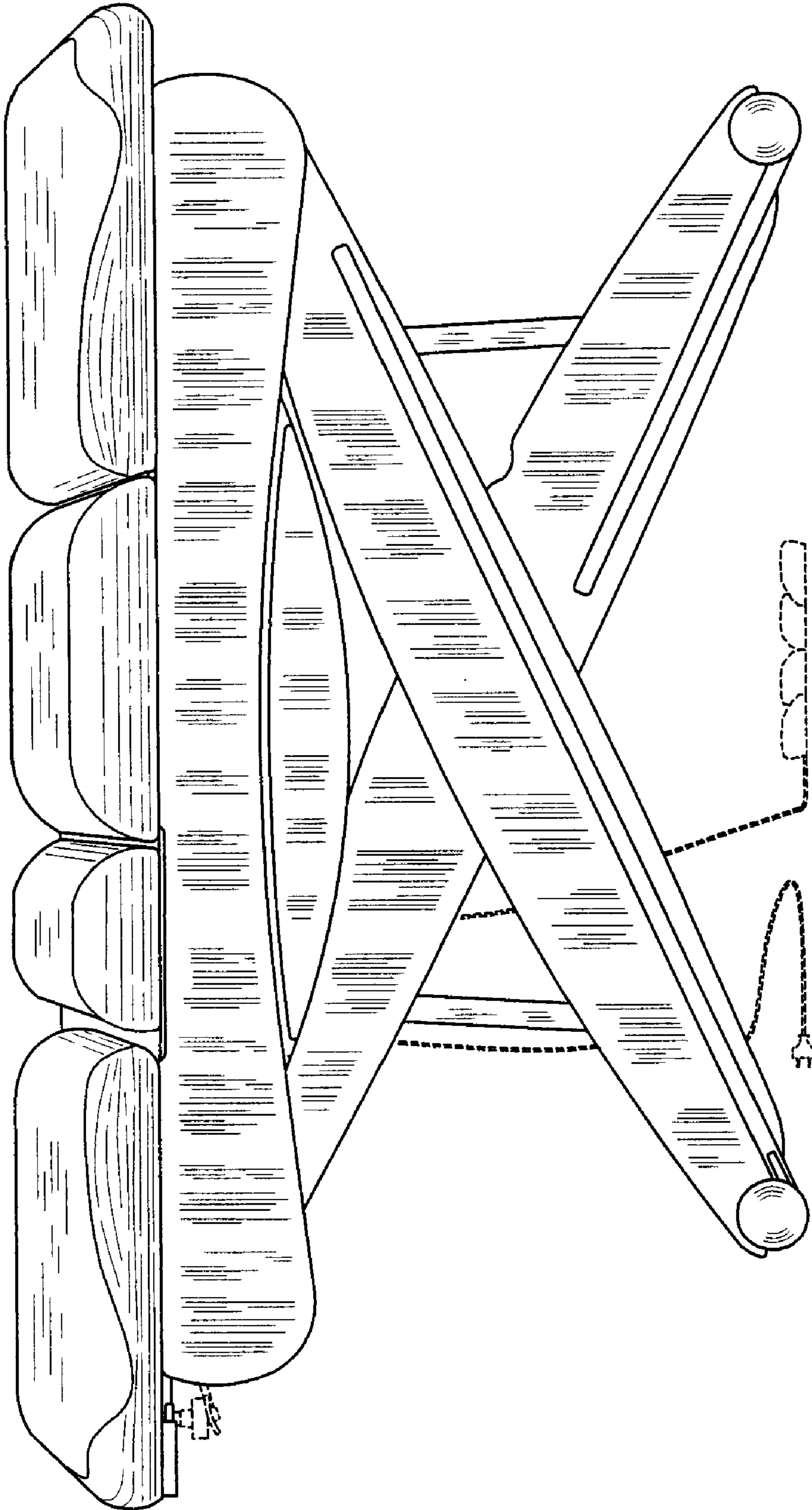


FIG. 3

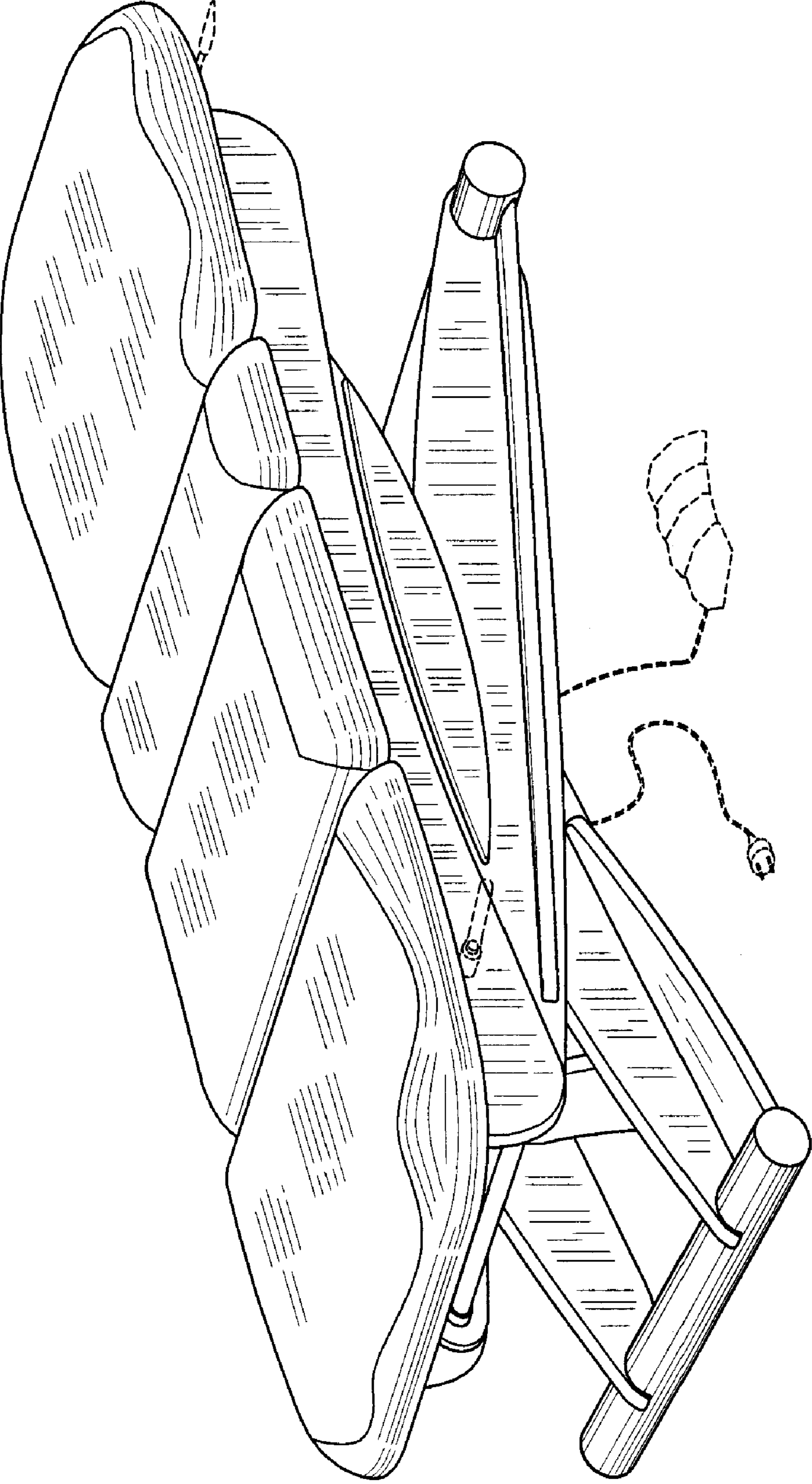


FIG. 4

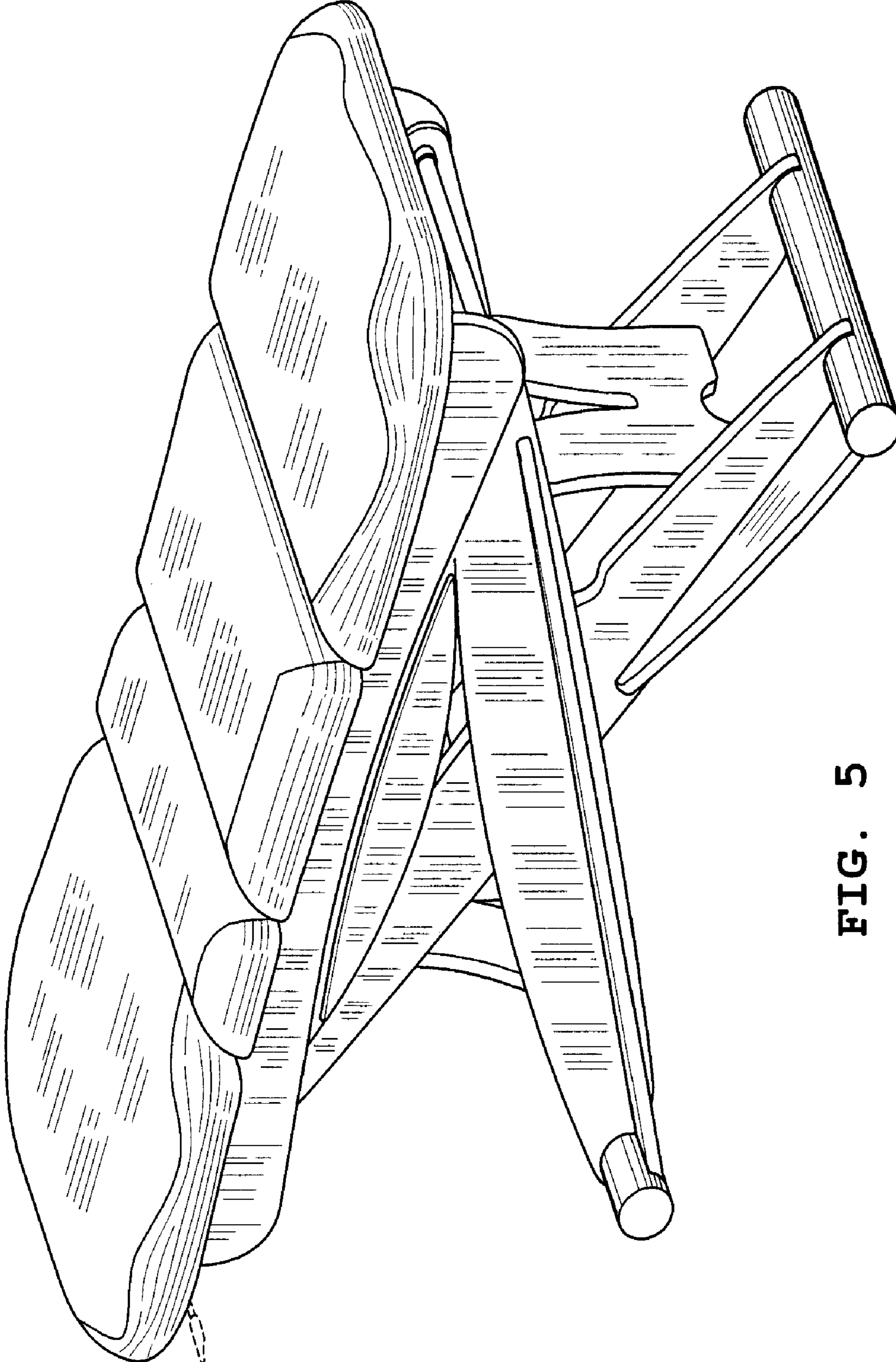


FIG. 5

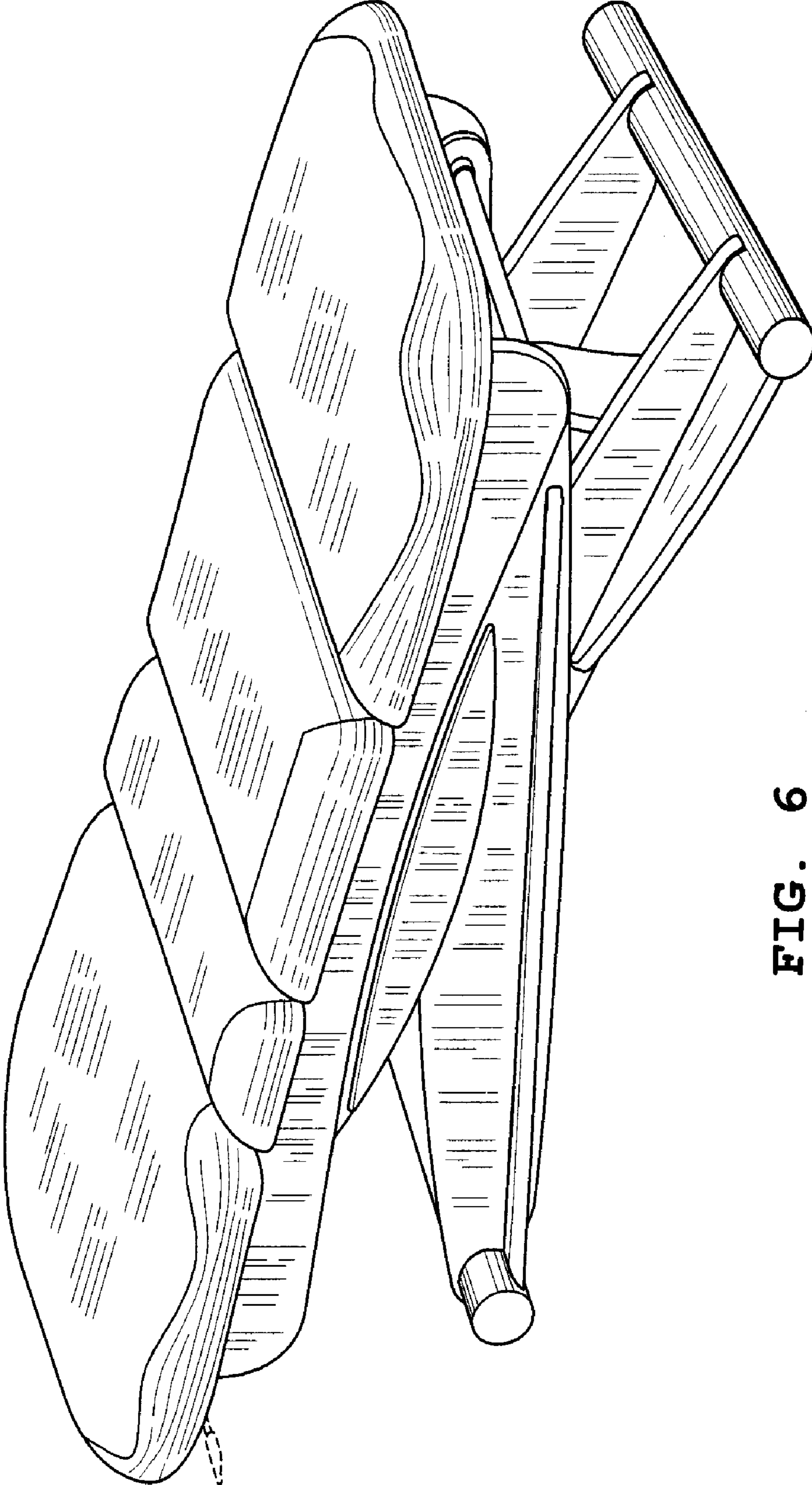


FIG. 6

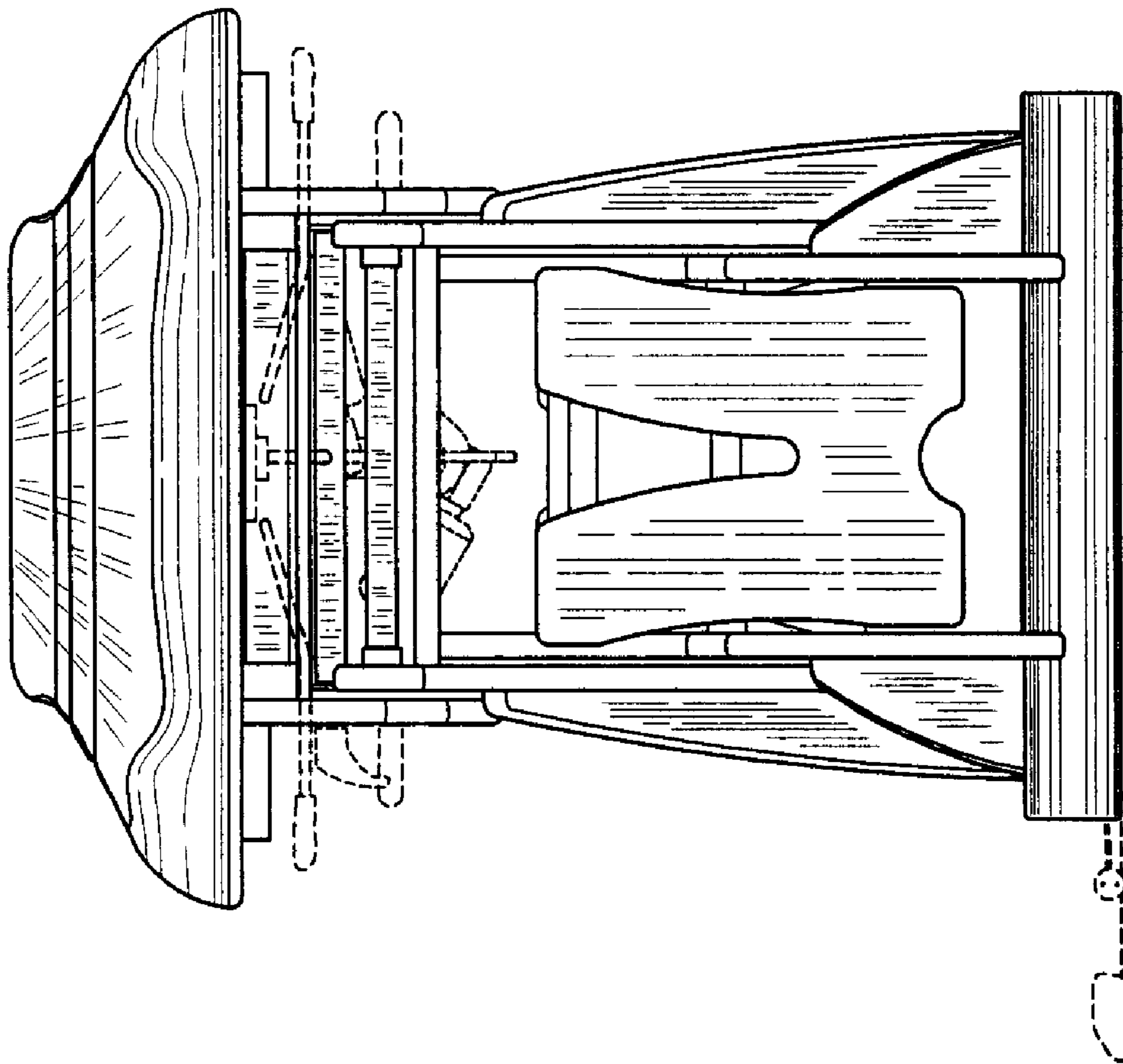


FIG. 7