



US00D553378S

(12) **United States Design Patent**  
**Wang**

(10) **Patent No.:** **US D553,378 S**

(45) **Date of Patent:** **\*\* Oct. 23, 2007**

(54) **CHAIR**

(76) Inventor: **Ju-Yu Wang**, No. 6, Lane 48, Ta Hsin St., West District, Tainan City, 703 (TW)

(\*\*) Term: **14 Years**

(21) Appl. No.: **29/277,742**

(22) Filed: **Mar. 8, 2007**

(51) **LOC (8) Cl.** ..... **06-01**

(52) **U.S. Cl.** ..... **D6/366**

(58) **Field of Classification Search** ..... D6/334-335, D6/360, 364, 365, 366, 367, 369, 374, 379, D6/380, 498, 500-502; 297/284.4, 320, 297/411.27, 452.21, 452.13, 452.3, 452.56  
See application file for complete search history.

(56) **References Cited**

**U.S. PATENT DOCUMENTS**

D346,279 S *	4/1994	Stumpf et al.	.....	D6/366
D449,174 S *	10/2001	Neil	.....	D6/366
D453,079 S *	1/2002	Ma	.....	D6/366
D458,776 S *	6/2002	Patton	.....	D6/498
D474,346 S	5/2003	Saylor et al.		
D487,359 S *	3/2004	Giugiaro	.....	D6/366
D489,191 S	5/2004	Ma		
6,729,691 B2 *	5/2004	Koepke et al.	.....	297/452.56
D493,627 S	8/2004	Ma		
D495,509 S	9/2004	Breen		
D510,488 S *	10/2005	Su	.....	D6/366
D512,574 S	12/2005	Tsai		
D514,831 S	2/2006	Tsai		
D514,832 S	2/2006	Tsai		

D516,828 S	3/2006	Tsai		
D527,920 S	9/2006	Giugiaro		
D528,811 S	9/2006	Giugiaro		
D534,365 S	1/2007	Breen		
D534,384 S	1/2007	Su		
D539,578 S *	4/2007	Chen	.....	D6/502
D540,080 S *	4/2007	Su	.....	D6/502
D540,554 S *	4/2007	Yang	.....	D6/366
D540,578 S *	4/2007	Chen	.....	D6/502
D540,580 S *	4/2007	Su	.....	D6/502
D541,063 S *	4/2007	Su	.....	D6/366

\* cited by examiner

*Primary Examiner*—Mimosa De

(74) *Attorney, Agent, or Firm*—Alan Kamrath; Kamrath & Associates PA

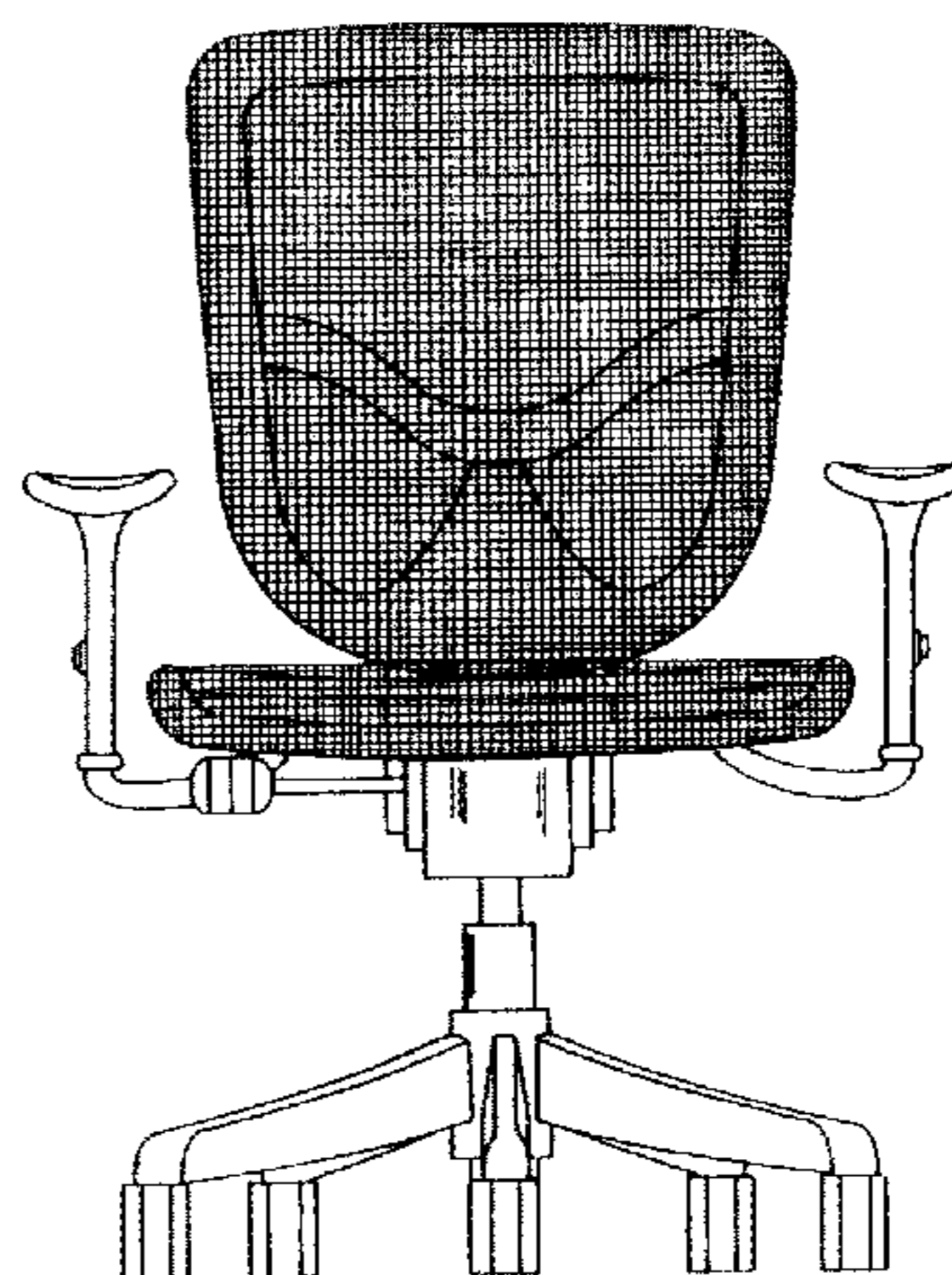
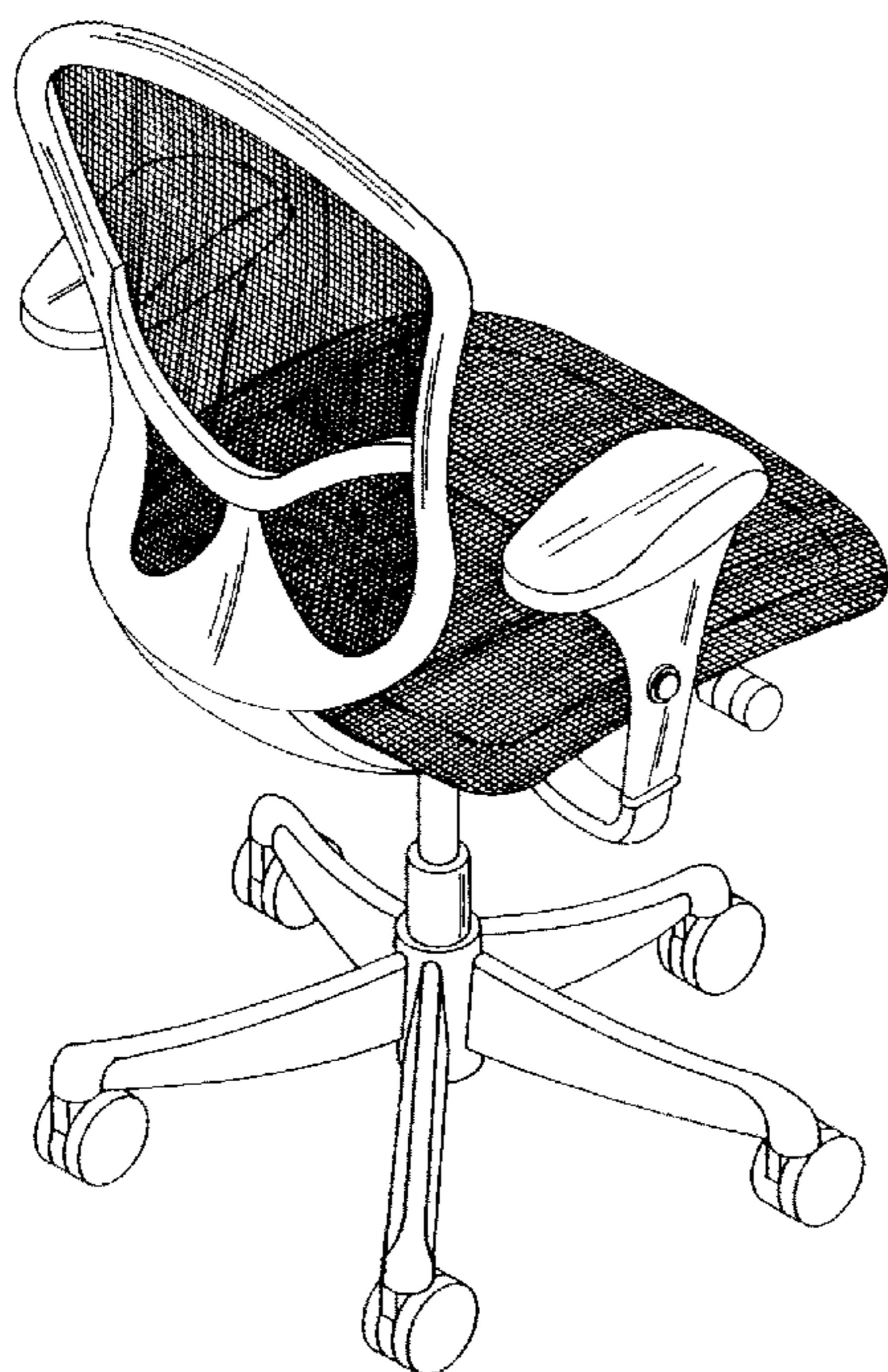
(57) **CLAIM**

The ornamental design for a chair, as shown and described.

**DESCRIPTION**

FIG. 1 is a perspective view of a chair showing my design; FIG. 2 is a slightly reduced front elevational view thereof; FIG. 3 is a slightly reduced rear elevational view thereof; FIG. 4 is a slightly reduced left side elevational view thereof; FIG. 5 is a slightly reduced right side elevational view thereof; FIG. 6 is a slightly reduced top plan view thereof; and, FIG. 7 is a slightly reduced bottom plan view thereof.

**1 Claim, 7 Drawing Sheets**



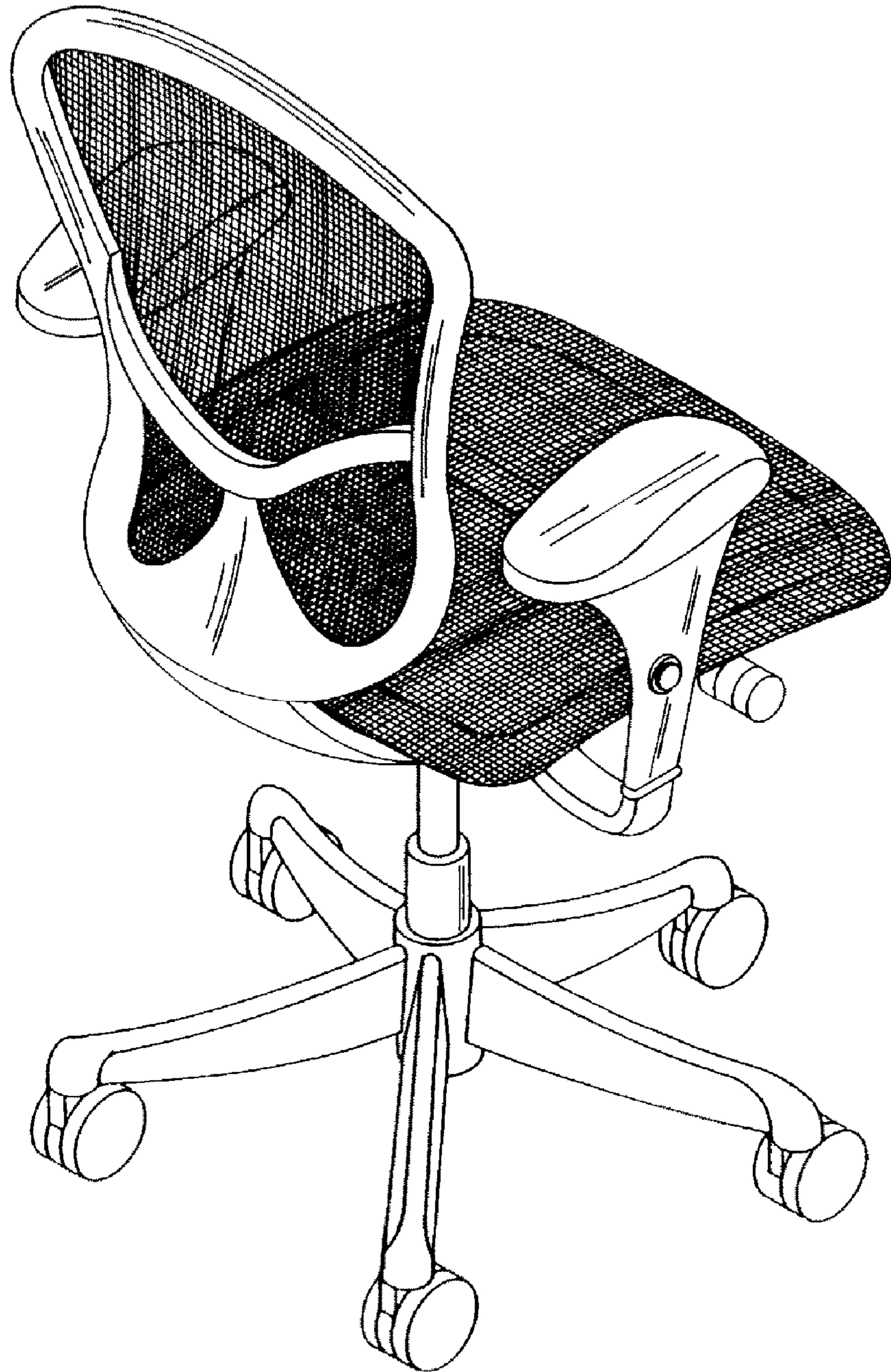


FIG. 1

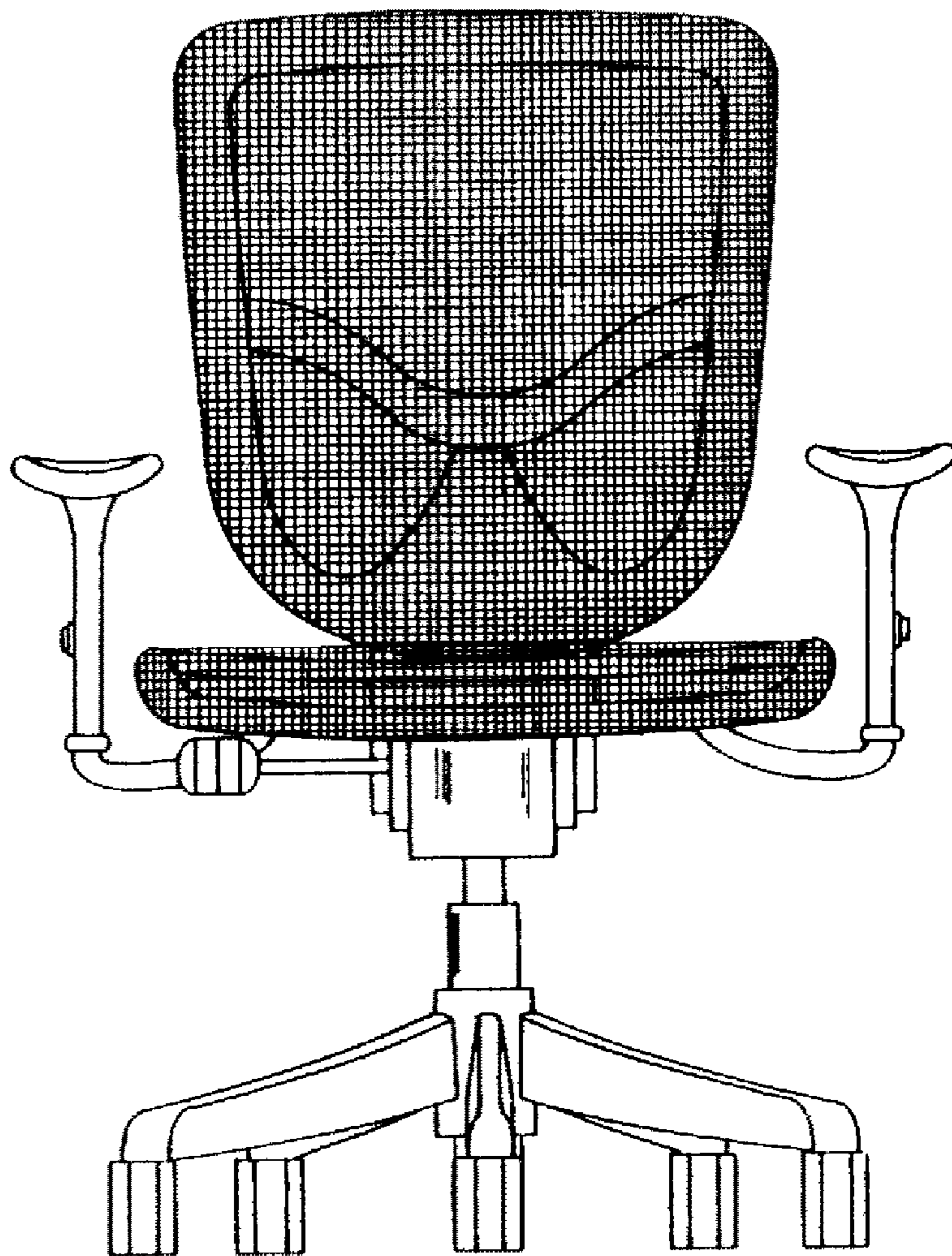


FIG. 2

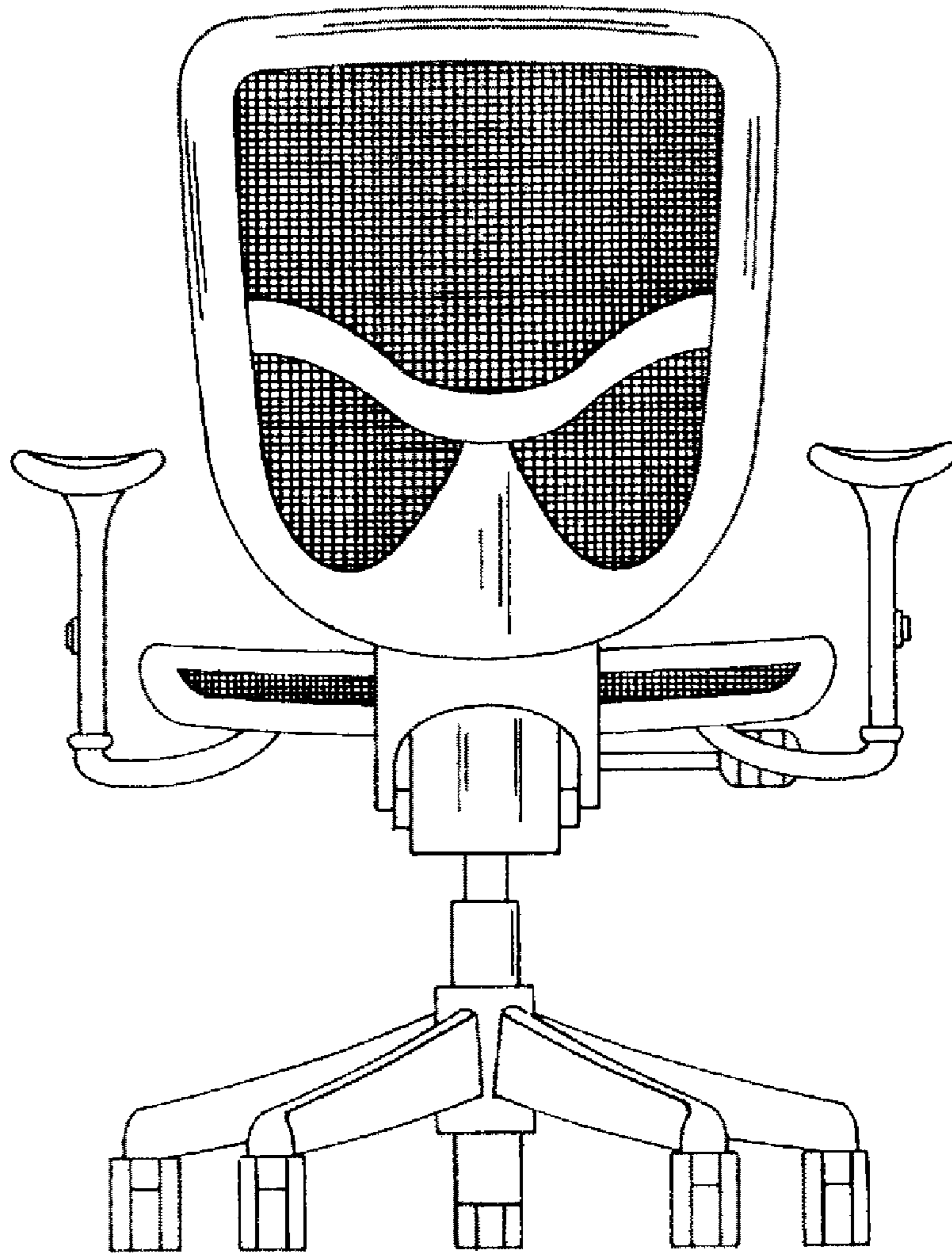


FIG. 3

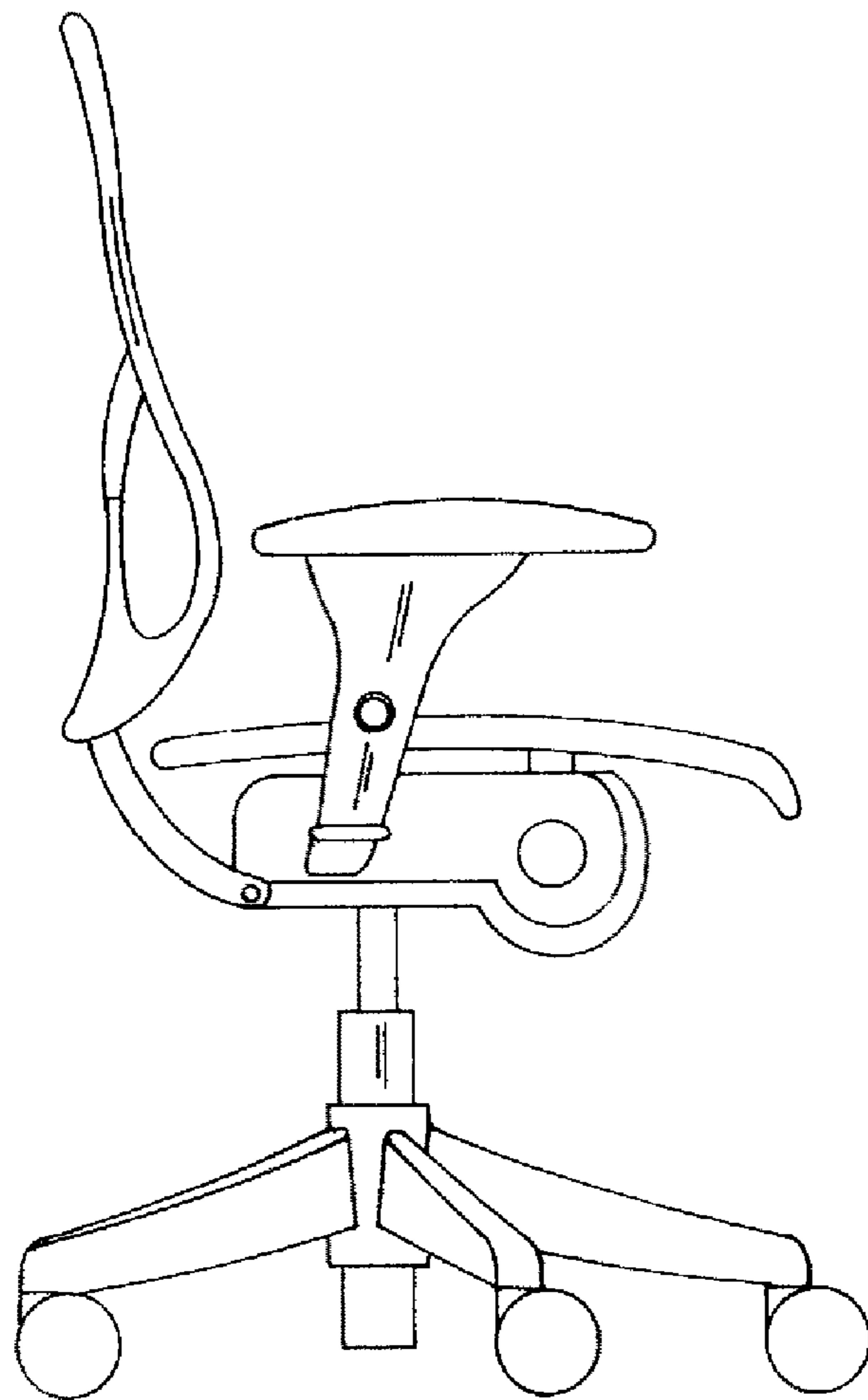


FIG. 4

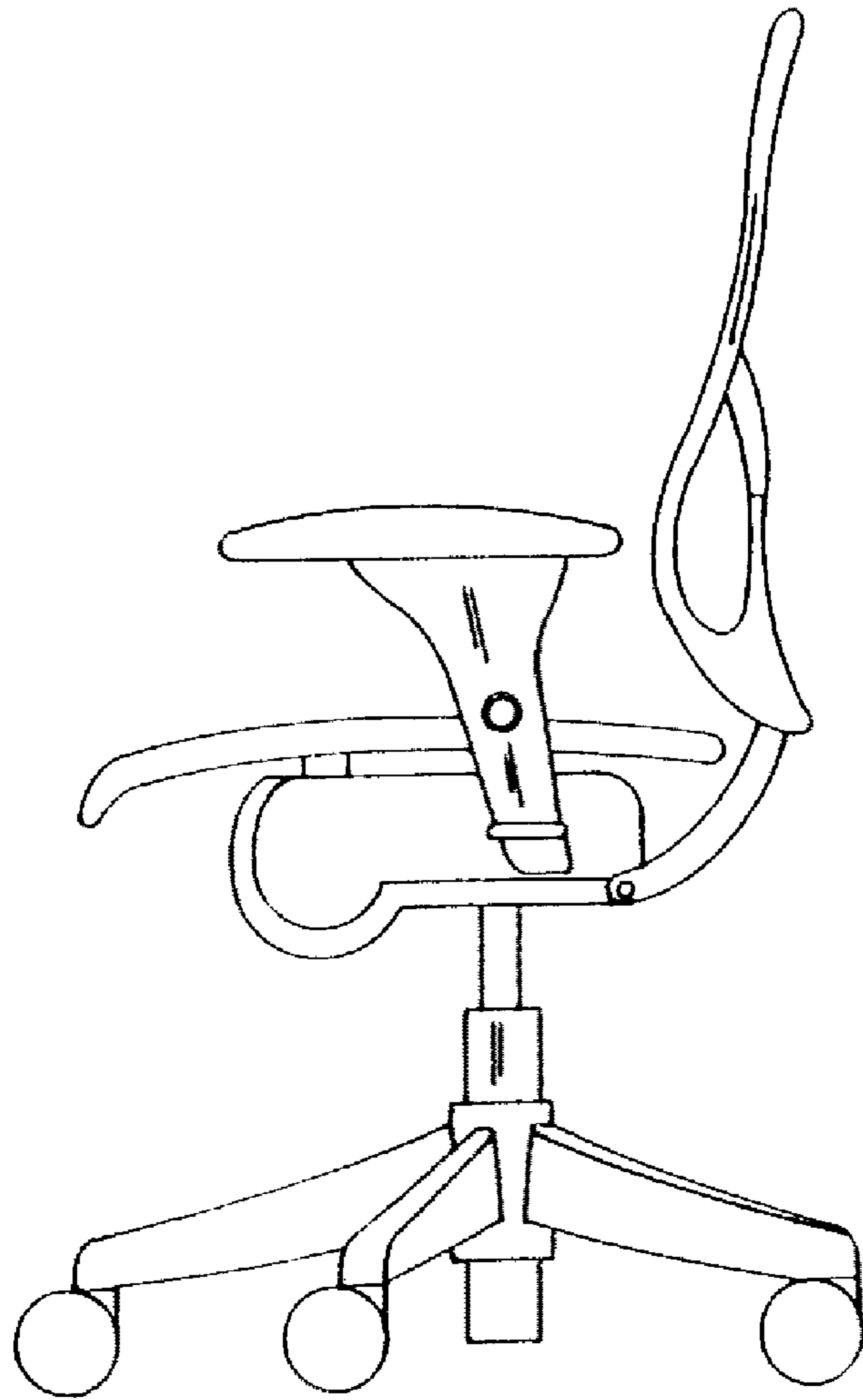


FIG. 5

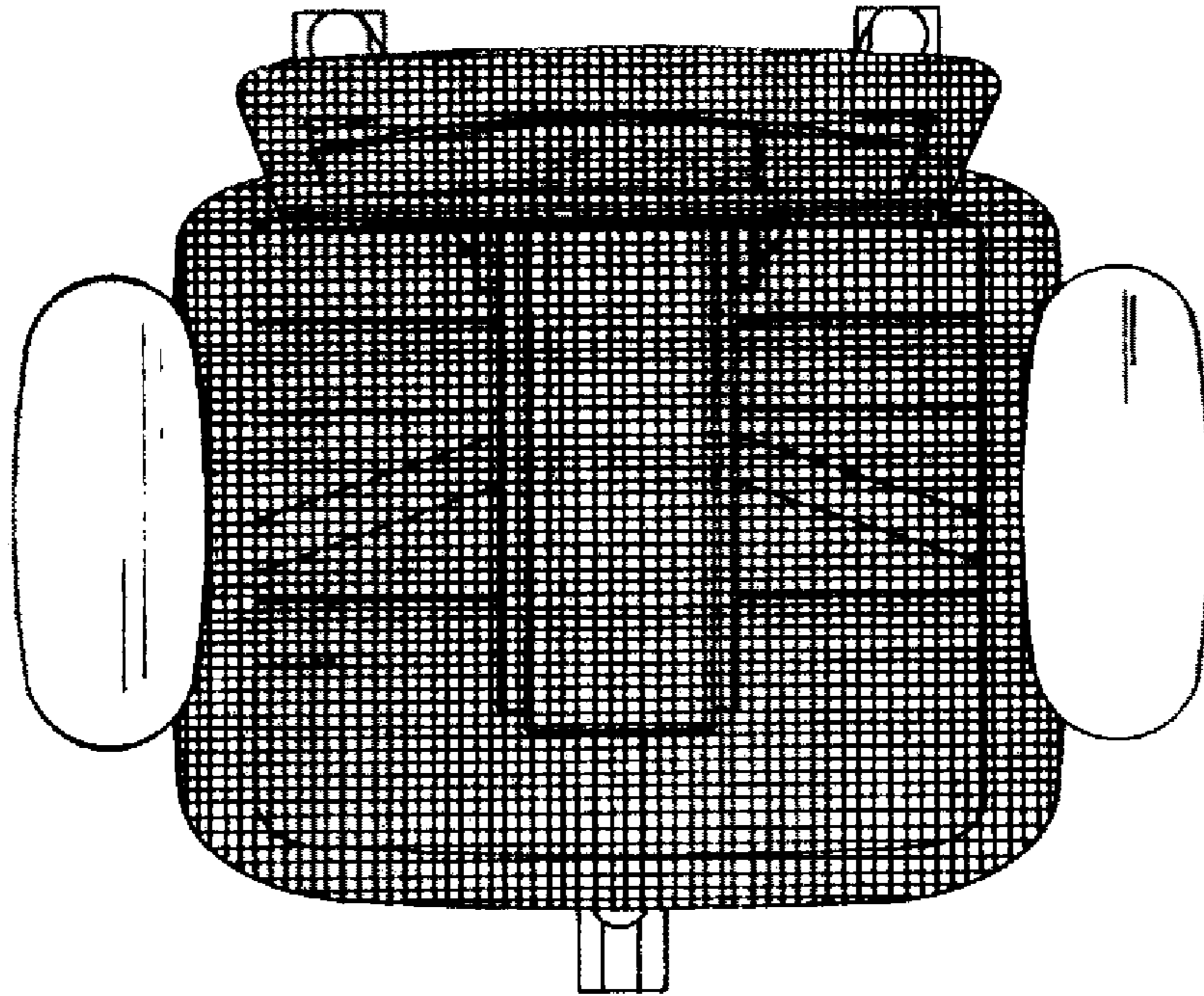


FIG. 6

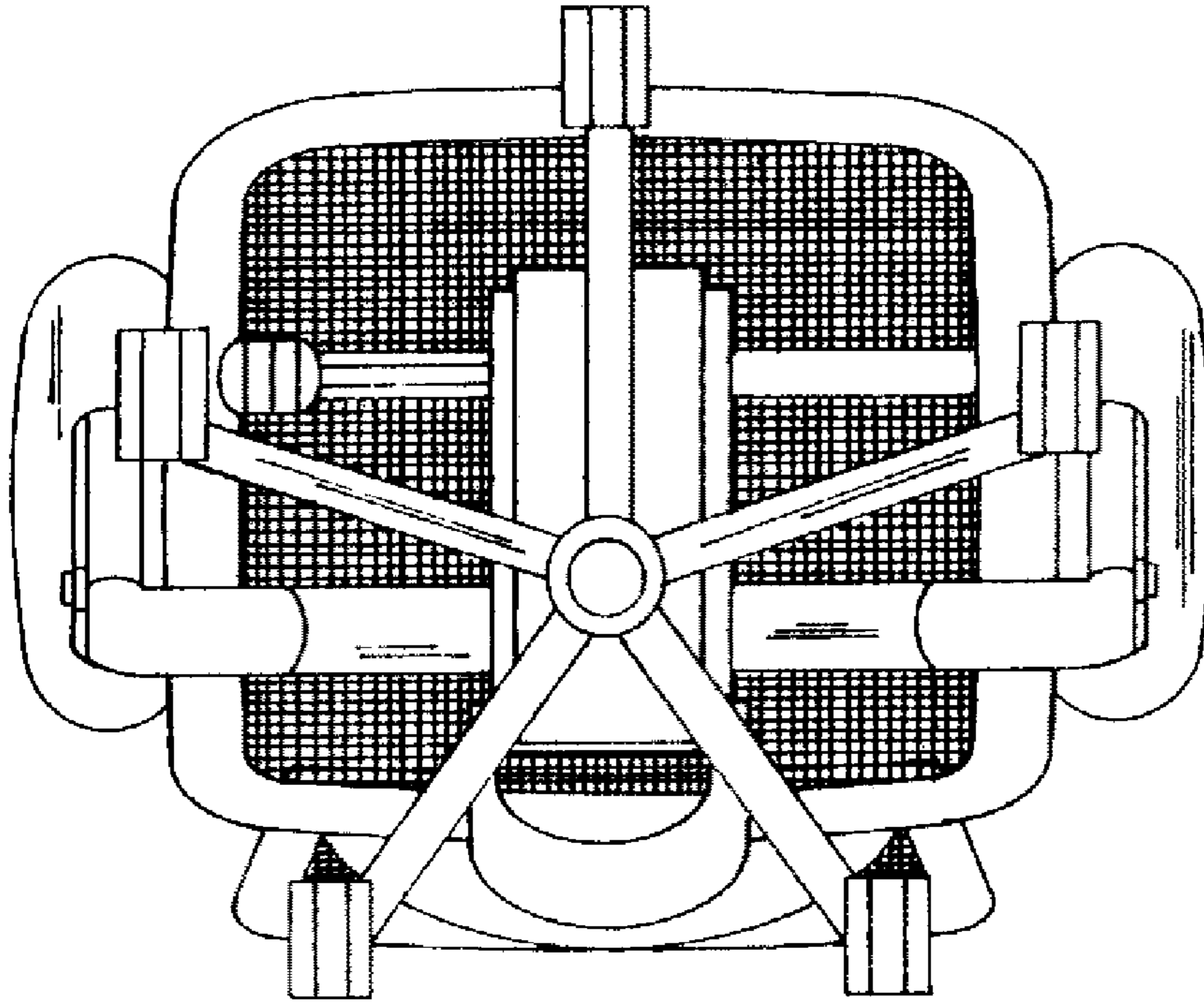


FIG. 7