



US00D553376S

(12) **United States Design Patent**
Nakamura et al.

(10) **Patent No.:** **US D553,376 S**
(45) **Date of Patent:** **** Oct. 23, 2007**

(54) **CHAIR**

(75) Inventors: **Yasuhiro Nakamura**, Tokyo (JP);
Takayuki Kumazawa, Tokyo (JP)

(73) Assignee: **Itoki Corporation**, Osaka-Shi, Osaka (JP)

(**) Term: **14 Years**

(21) Appl. No.: **29/270,979**

(22) Filed: **Jan. 8, 2007**

(30) **Foreign Application Priority Data**

Jul. 11, 2006 (JP) 2006-018246
Jul. 11, 2006 (JP) 2006-018247

(51) **LOC (8) Cl.** **06-01**

(52) **U.S. Cl.** **D6/366**

(58) **Field of Classification Search** D6/334-336,
D6/364, 365, 366, 367, 370, 374, 379, 380,
D6/498, 500-502; 297/284.4, 411.27, 452.21,
297/452.29, 452.3, 452.63, 463.1
See application file for complete search history.

(56) **References Cited**

U.S. PATENT DOCUMENTS

D355,537 S * 2/1995 Geier D6/370
D438,035 S * 2/2001 Skalka D6/500
D444,309 S * 7/2001 Nagamitsu D6/366

(Continued)

FOREIGN PATENT DOCUMENTS

JP 1125074 10/2001

Primary Examiner—Mimosa De

(74) *Attorney, Agent, or Firm*—McGinn IP Law Group, PLLC

(57) **CLAIM**

The ornamental design for a chair, as shown and described.

DESCRIPTION

FIG. 1 is a perspective view of top, front and right side of a chair showing our new design;

FIG. 2 is a perspective view of top, rear and right side thereof;

FIG. 3 is a front view thereof;

FIG. 4 is a rear view thereof;

FIG. 5 is a top plan view thereof;

FIG. 6 is a bottom view thereof;

FIG. 7 is a right side view thereof;

FIG. 8 is a left side view thereof;

FIG. 9 is a right side view thereof with the back and the seat in moving position.

FIG. 10 is a perspective view of top, front and right side of a second embodiment of a chair;

FIG. 11 is a perspective view of top, rear and right side thereof;

FIG. 12 is a front view thereof;

FIG. 13 is a rear view thereof;

FIG. 14 is a top plan view thereof;

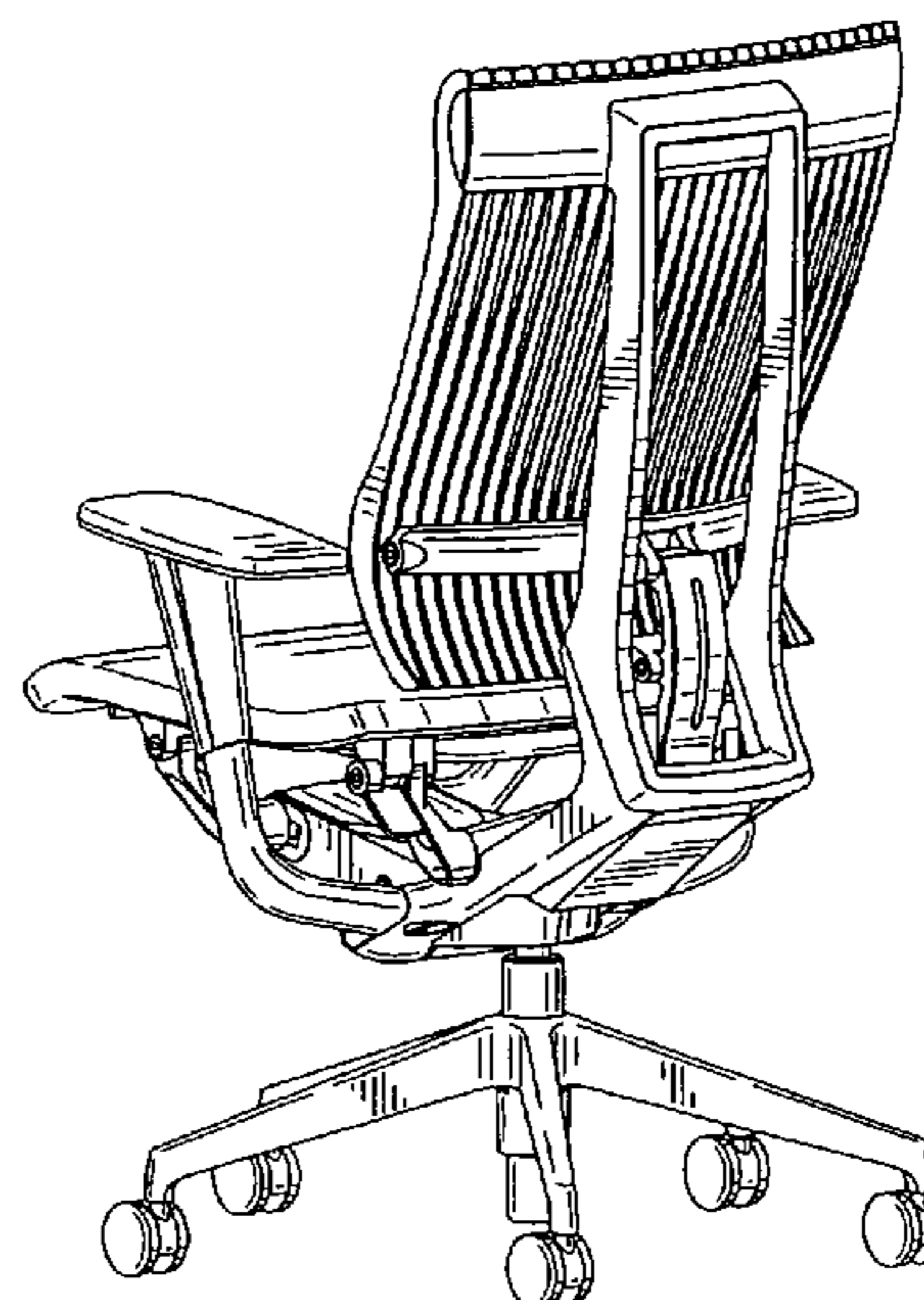
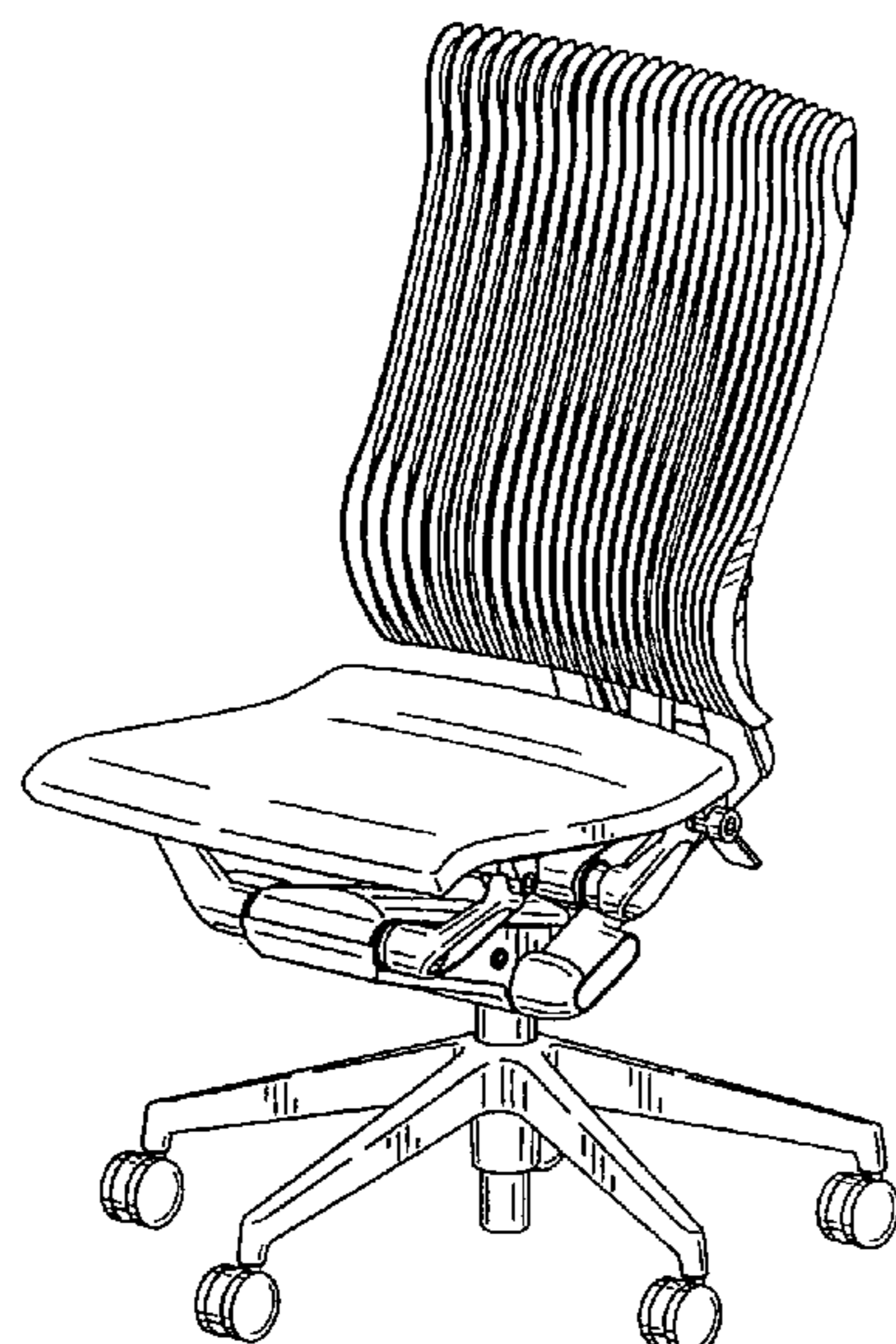
FIG. 15 is a bottom view thereof;

FIG. 16 is a right side view thereof;

FIG. 17 is a left side view thereof; and,

FIG. 18 is a right side view thereof with the back and the seat in moving position.

1 Claim, 10 Drawing Sheets



US D553,376 S

Page 2

U.S. PATENT DOCUMENTS

D445,580 S *	7/2001	Pennington et al.	D6/366	D488,313 S *	4/2004	Seiler	D6/366
D446,060 S *	8/2001	Skalka	D6/500	D497,264 S *	10/2004	Aubriet et al.	D6/366
D446,397 S *	8/2001	Pennington et al.	D6/366	D505,798 S *	6/2005	Seiler	D6/366
D449,174 S *	10/2001	Neil	D6/366	D506,626 S *	6/2005	Chen	D6/500
D456,625 S *	5/2002	Frenkler et al.	D6/366	D506,893 S *	7/2005	Hsien	D6/502
D471,024 S *	3/2003	Chadwick et al.	D6/366	D507,422 S *	7/2005	Seiler	D6/366
D476,821 S *	7/2003	Koepke et al.	D6/366	D534,748 S *	1/2007	Chu	D6/502
D477,151 S *	7/2003	Koepke et al.	D6/366	D540,079 S *	4/2007	Bock	D6/502

* cited by examiner

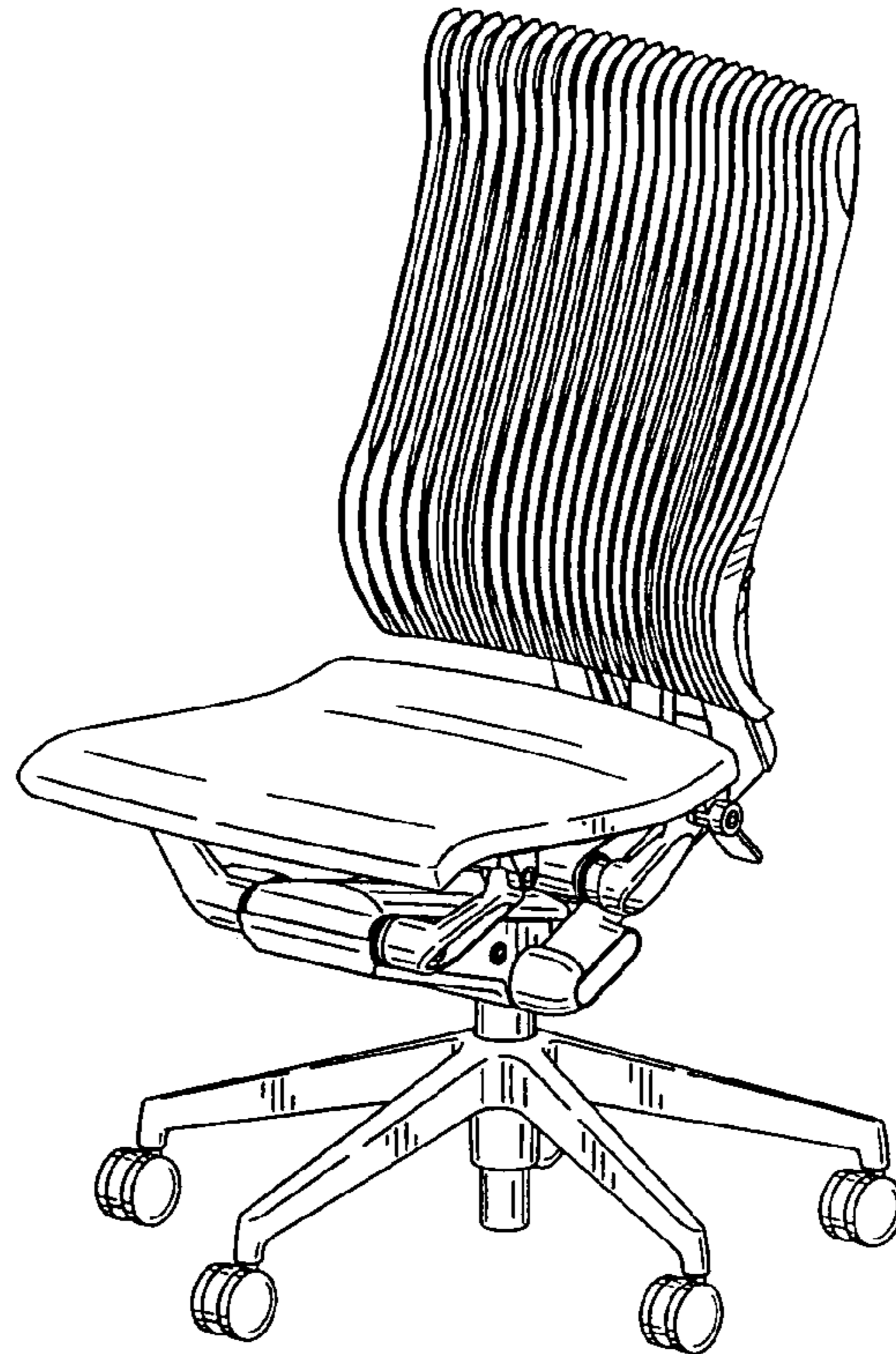


FIG. 1

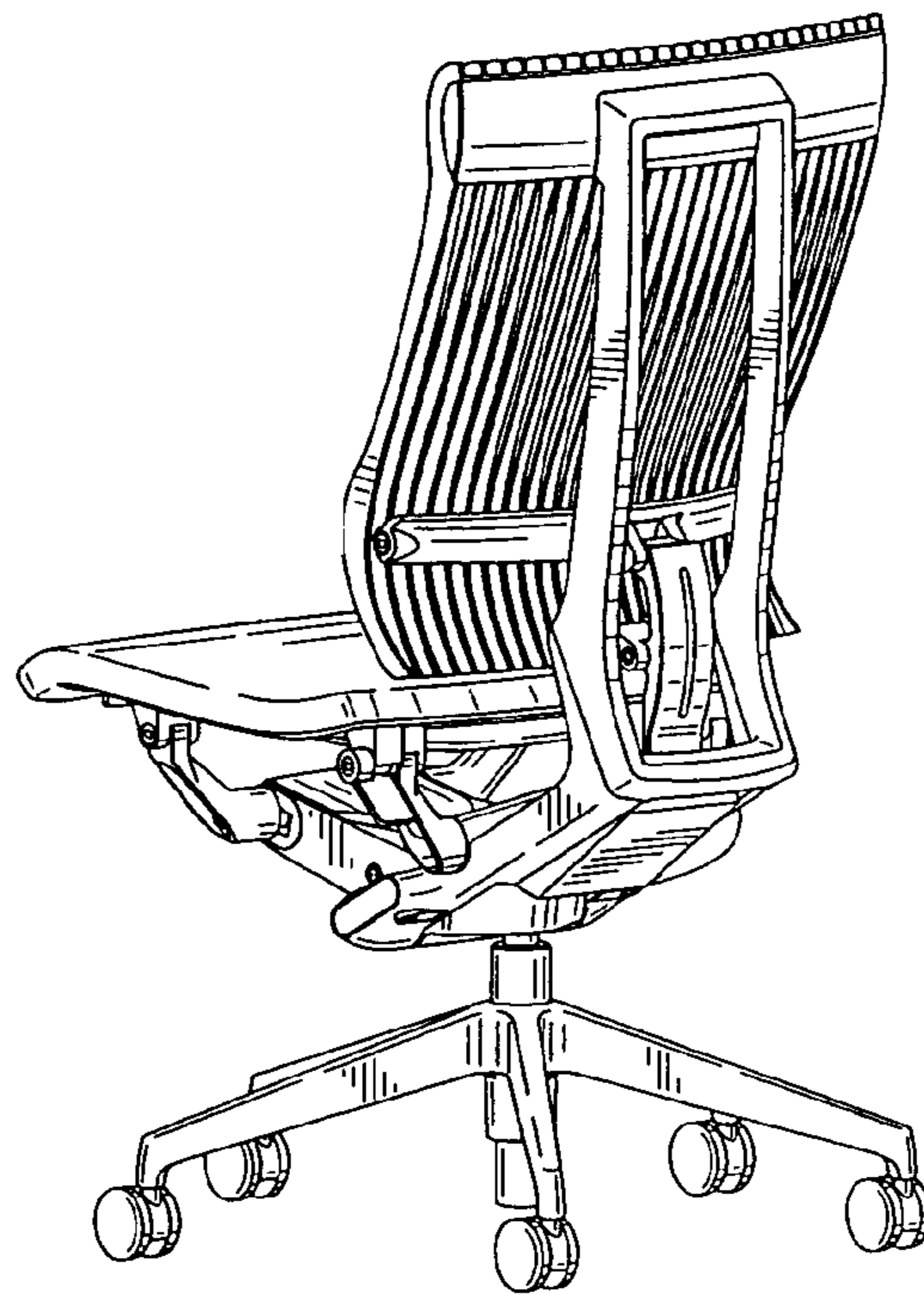


FIG. 2

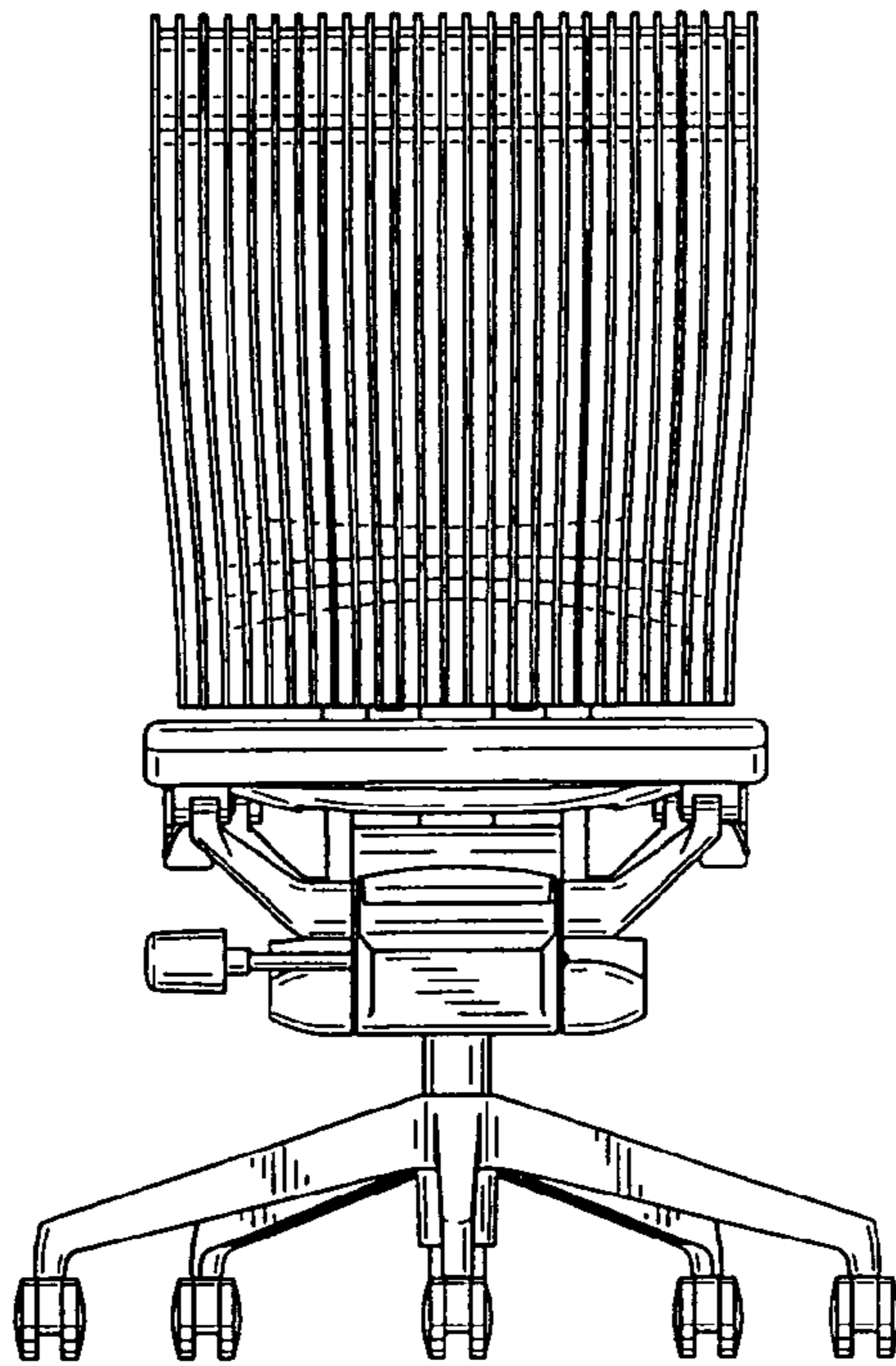


FIG. 3

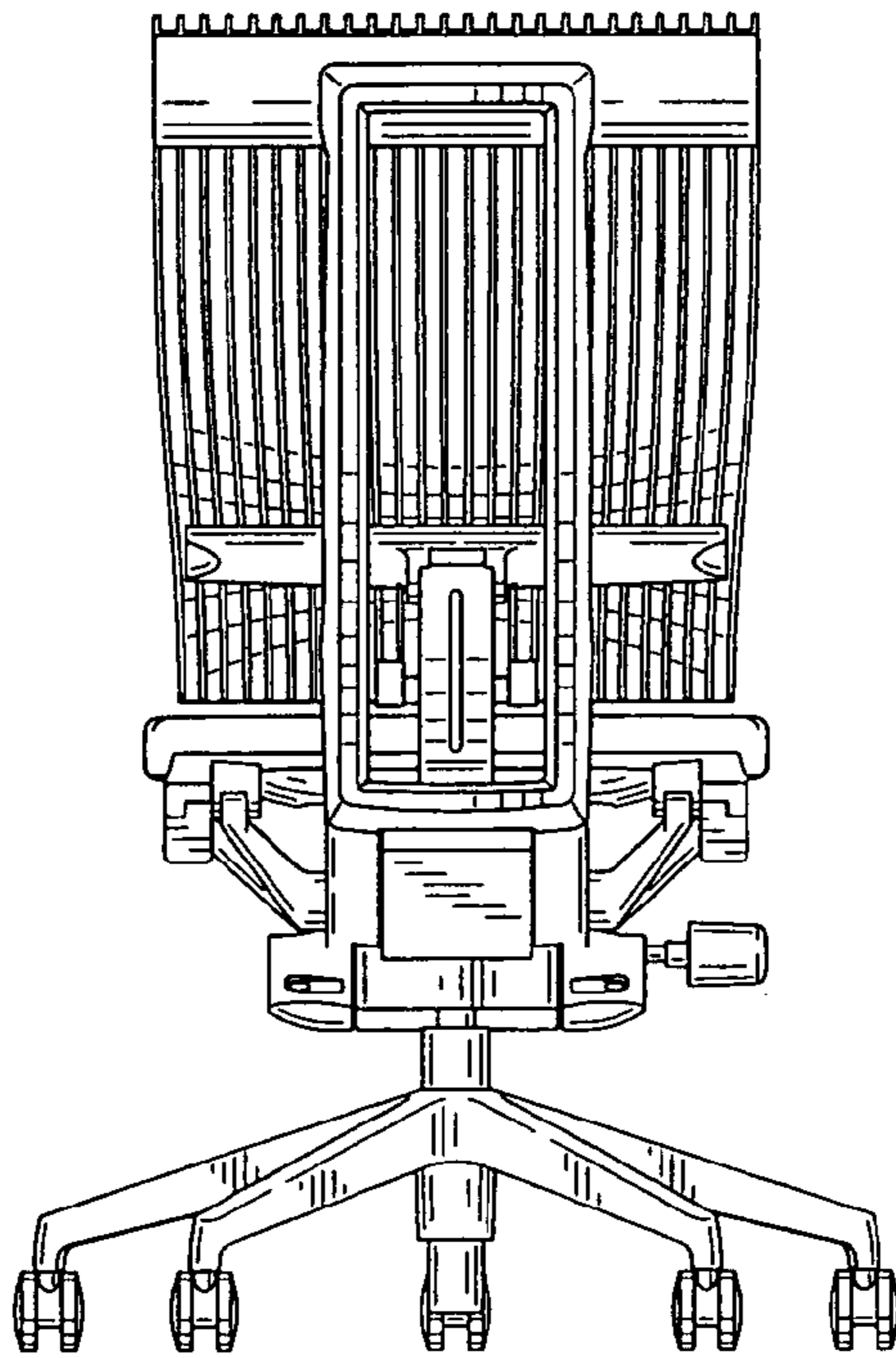


FIG. 4

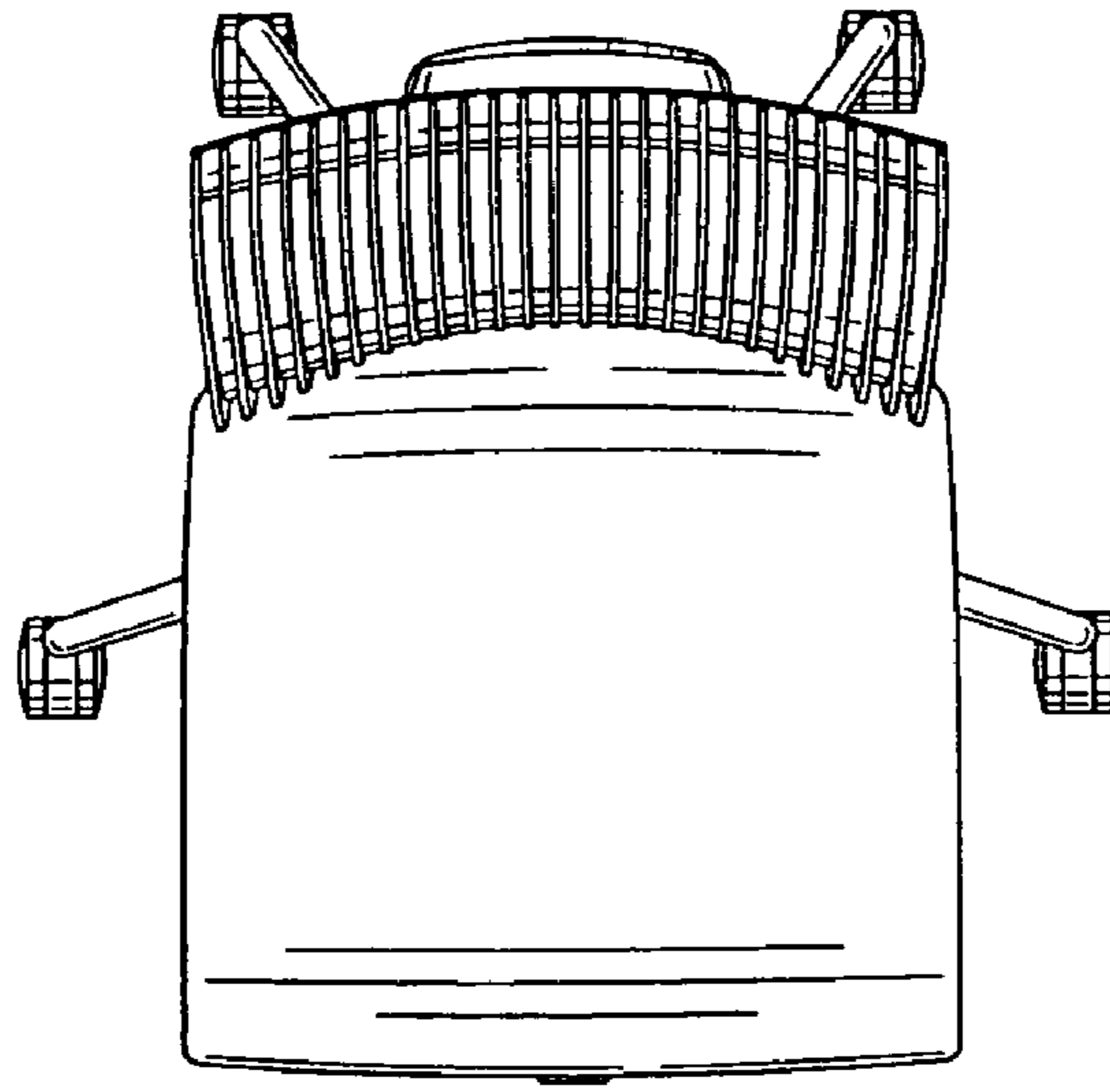


FIG. 5

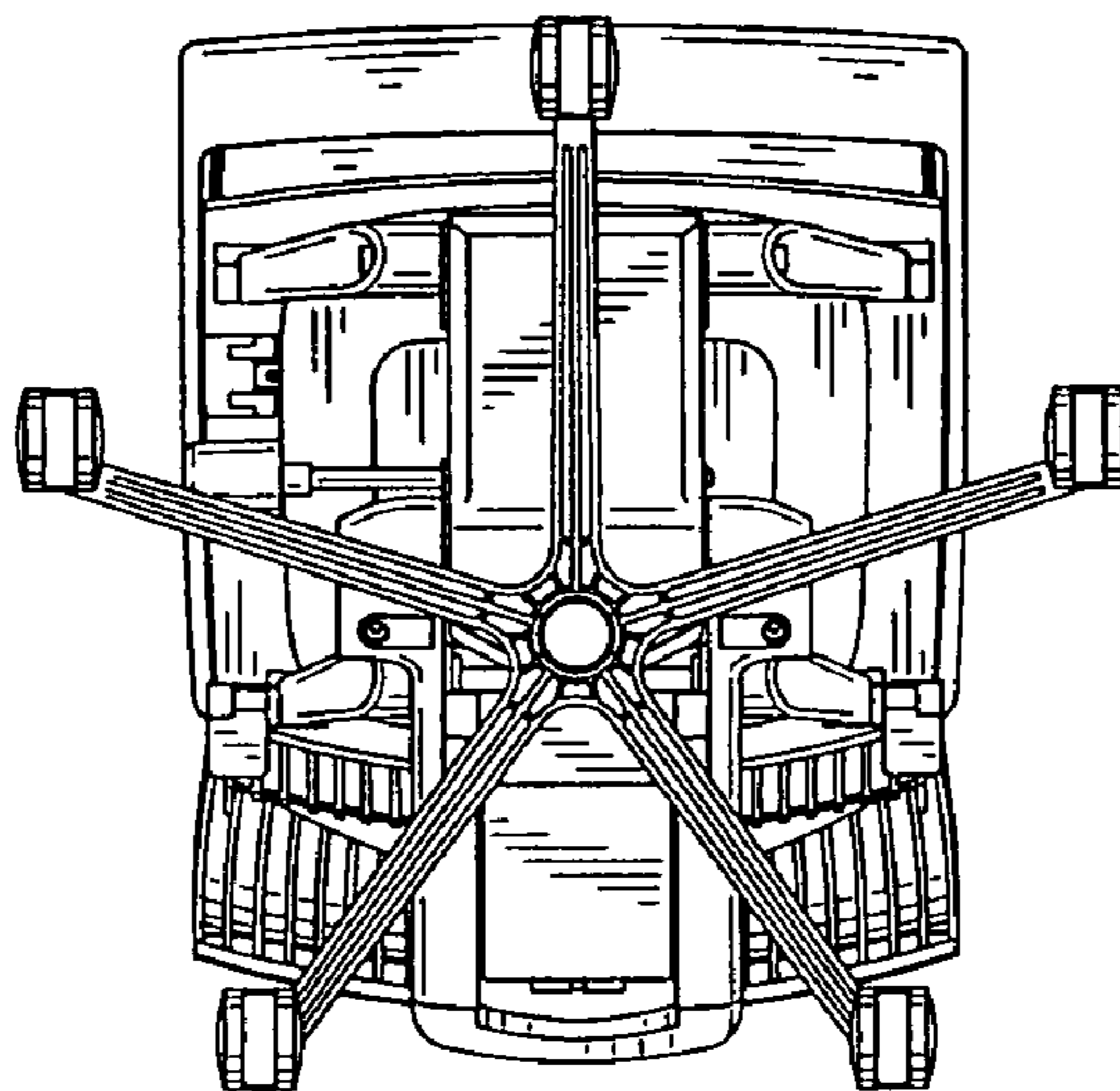


FIG. 6

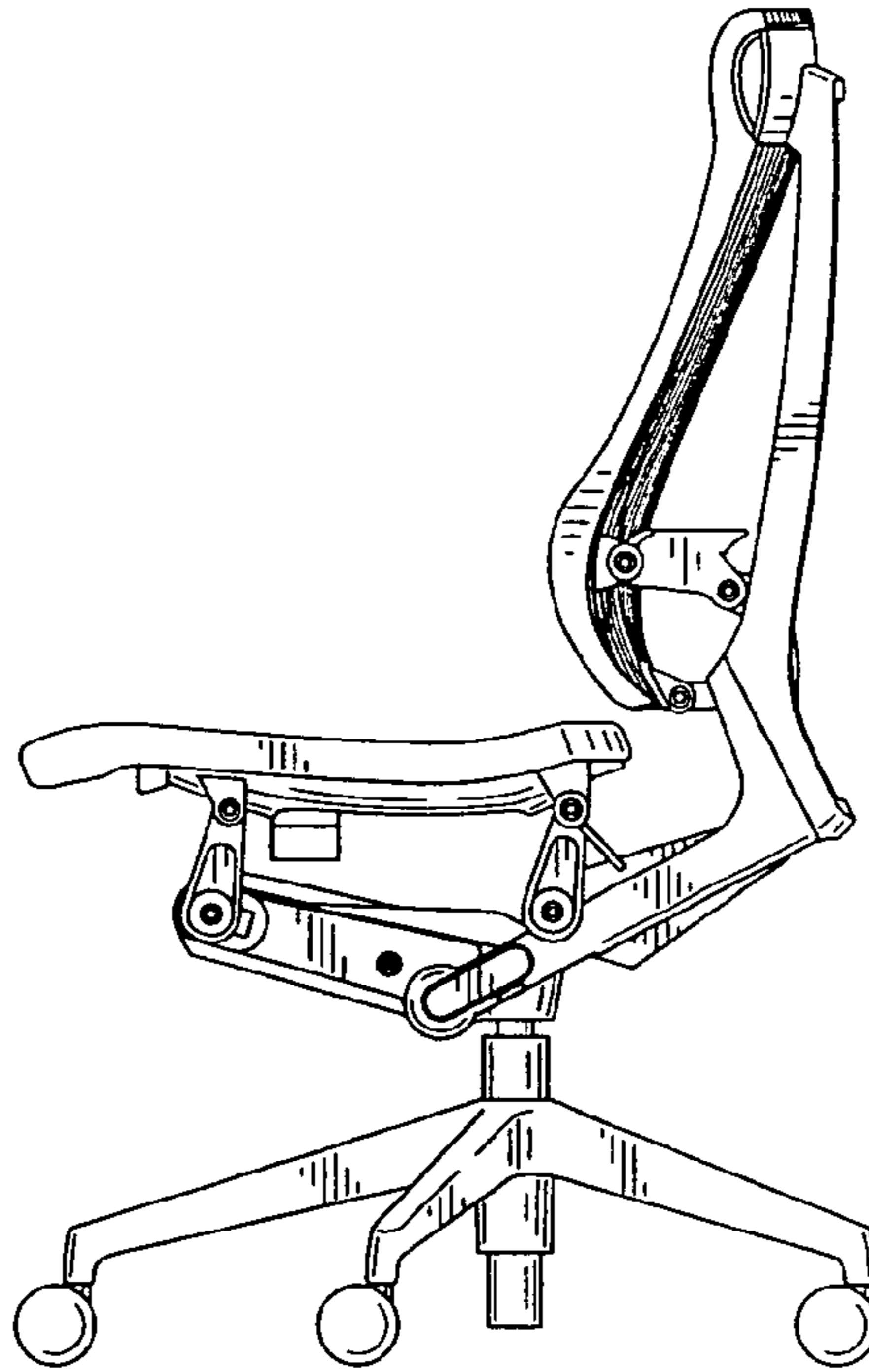


FIG. 7

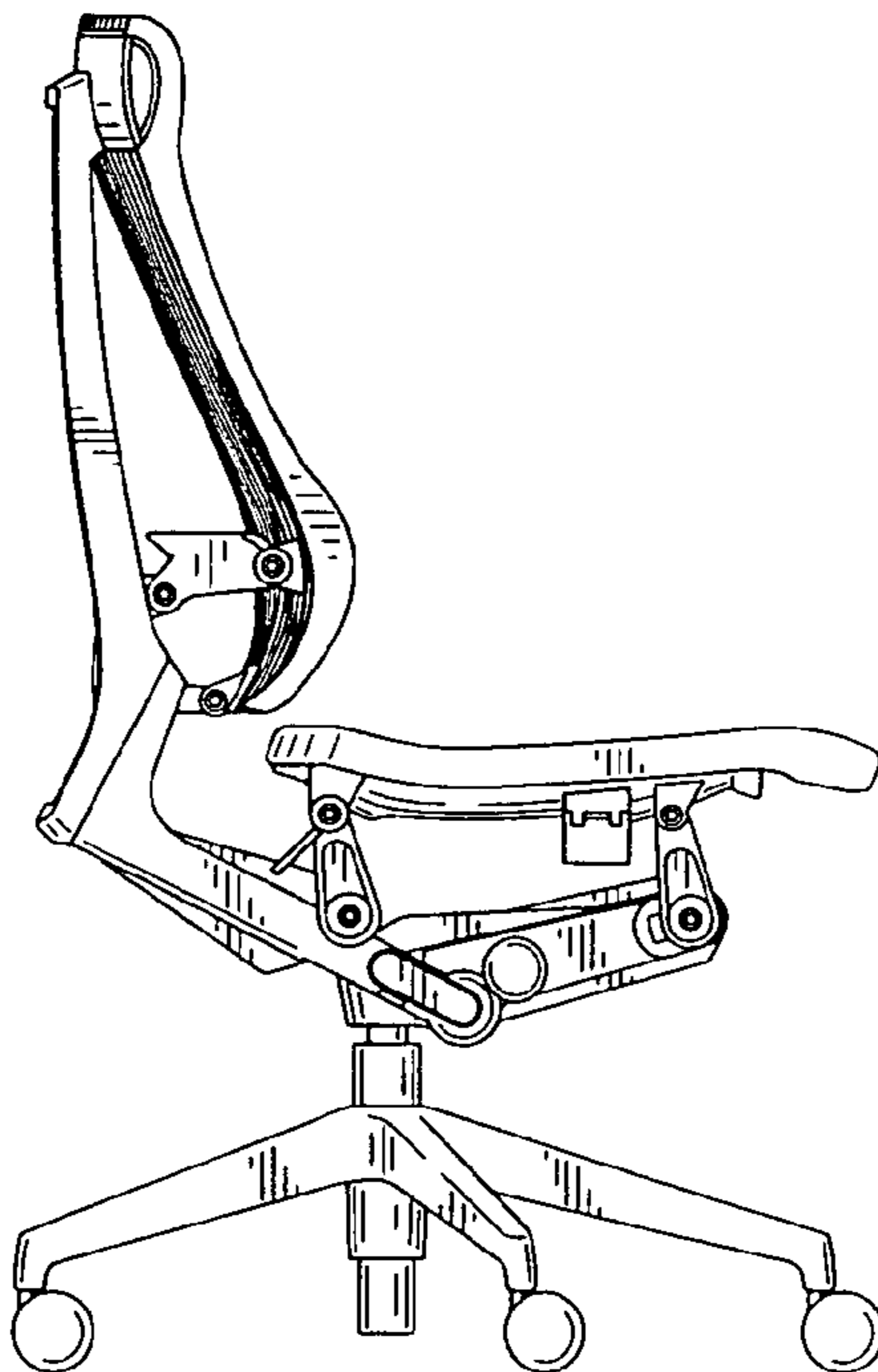


FIG. 8

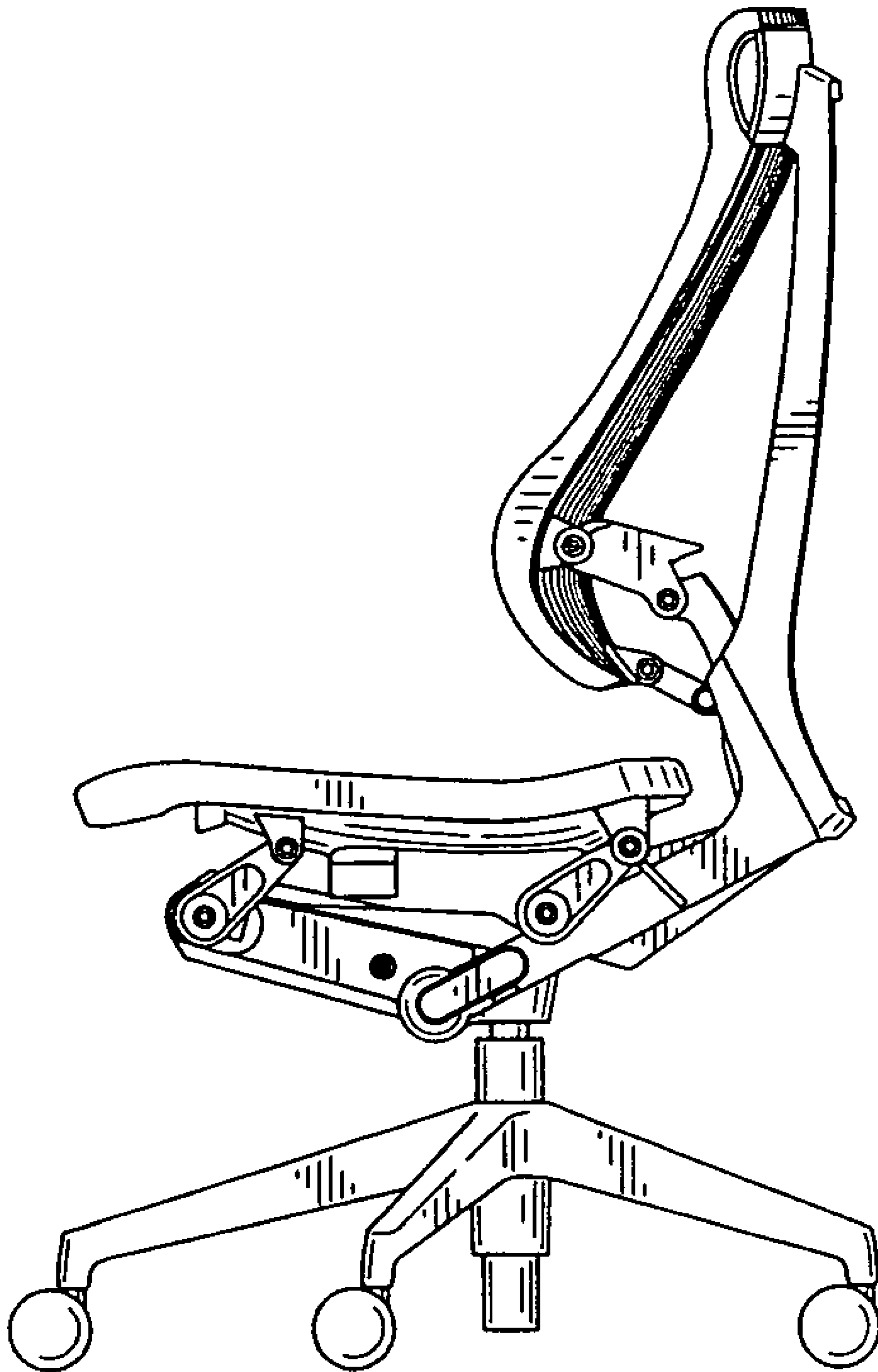


FIG. 9



FIG. 10

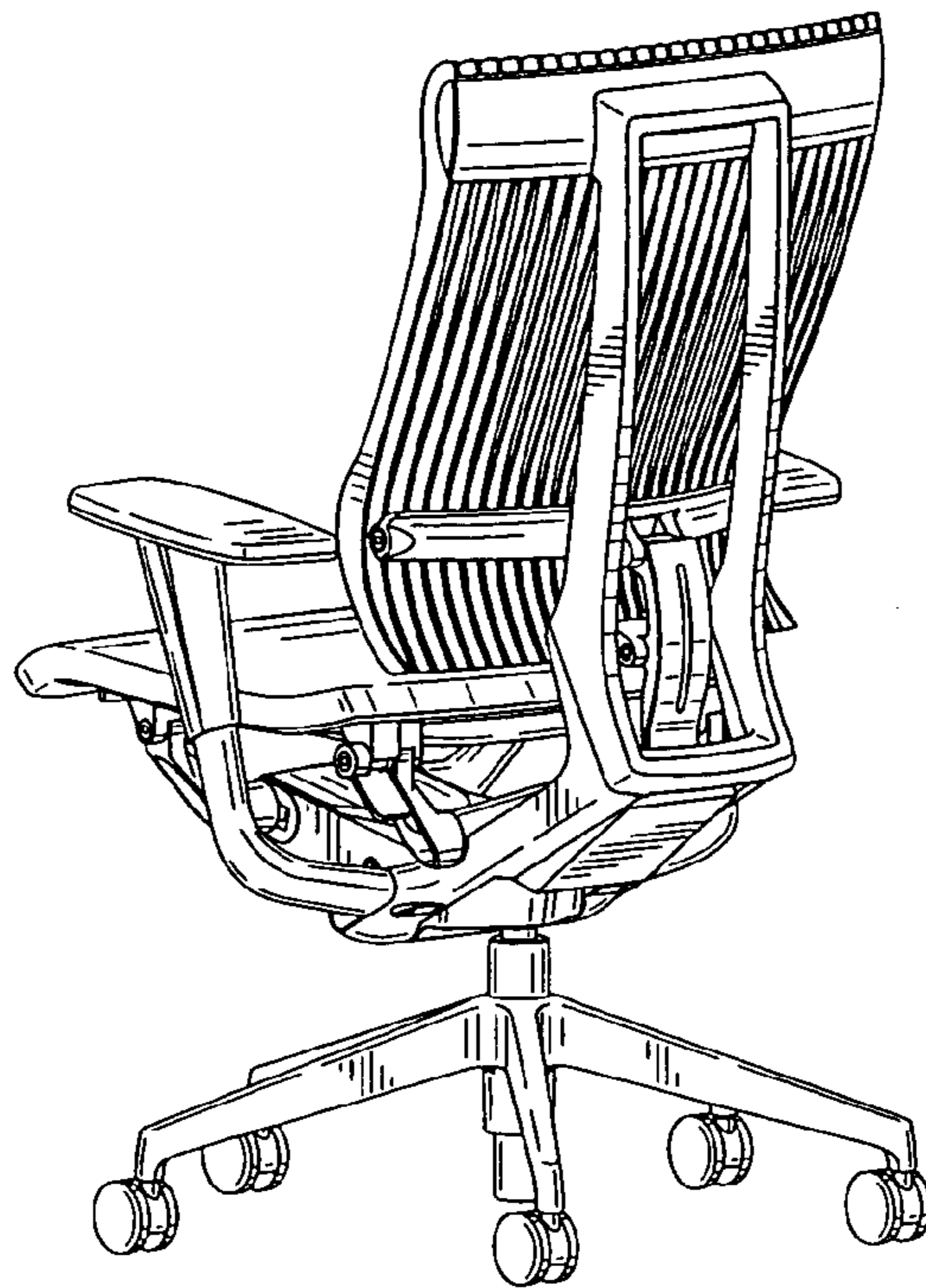


FIG. 11

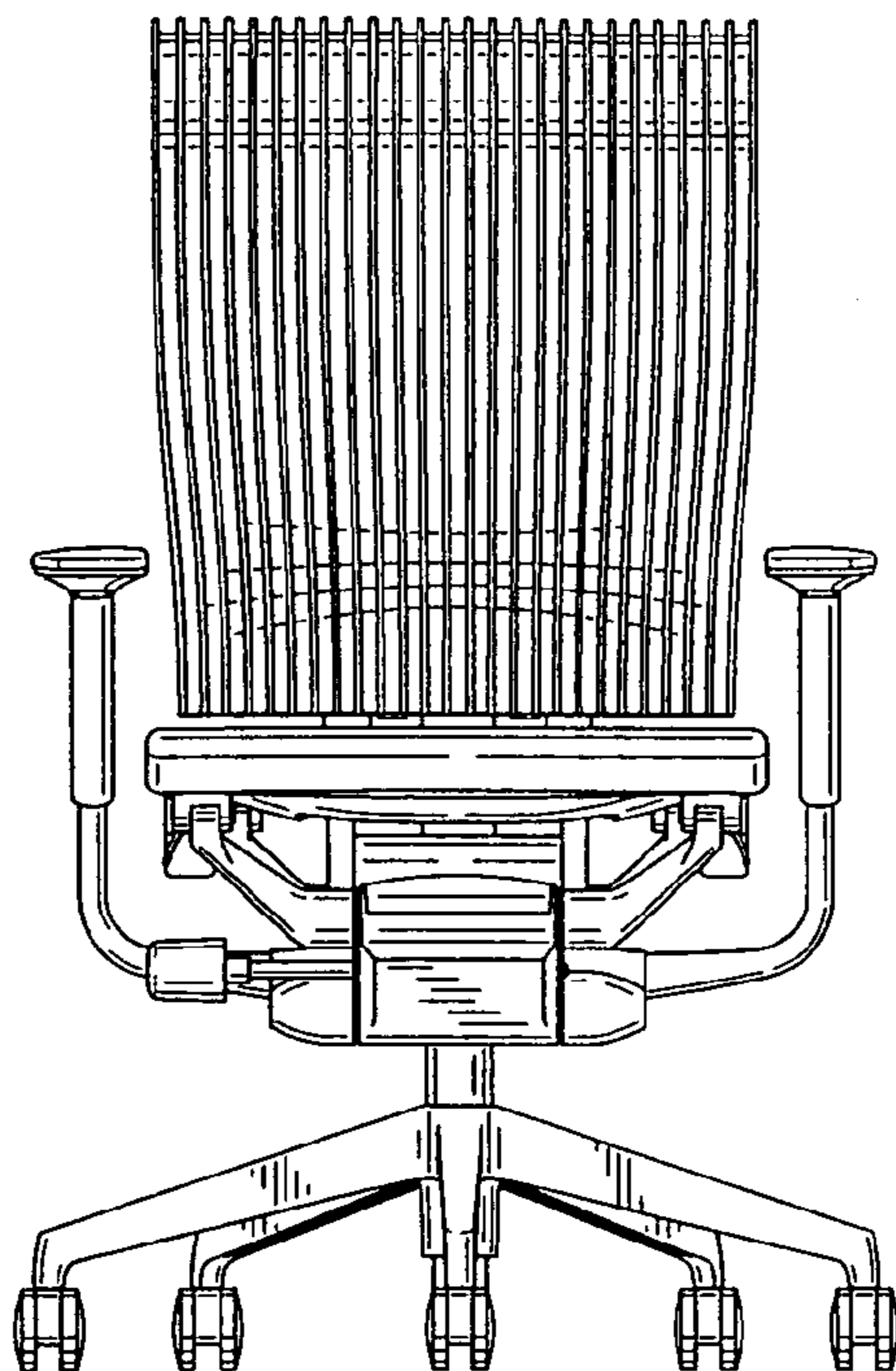


FIG. 12

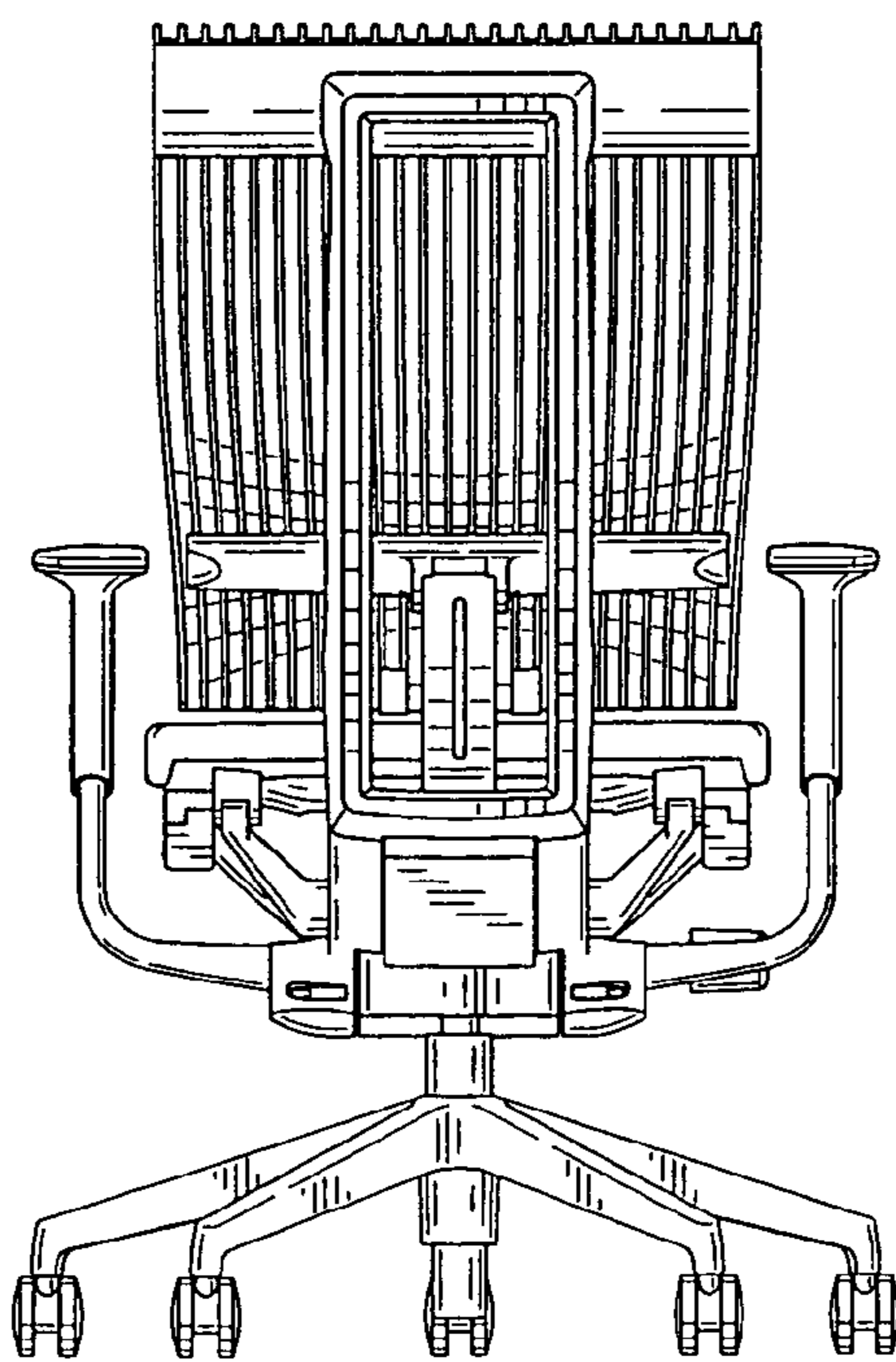


FIG. 13

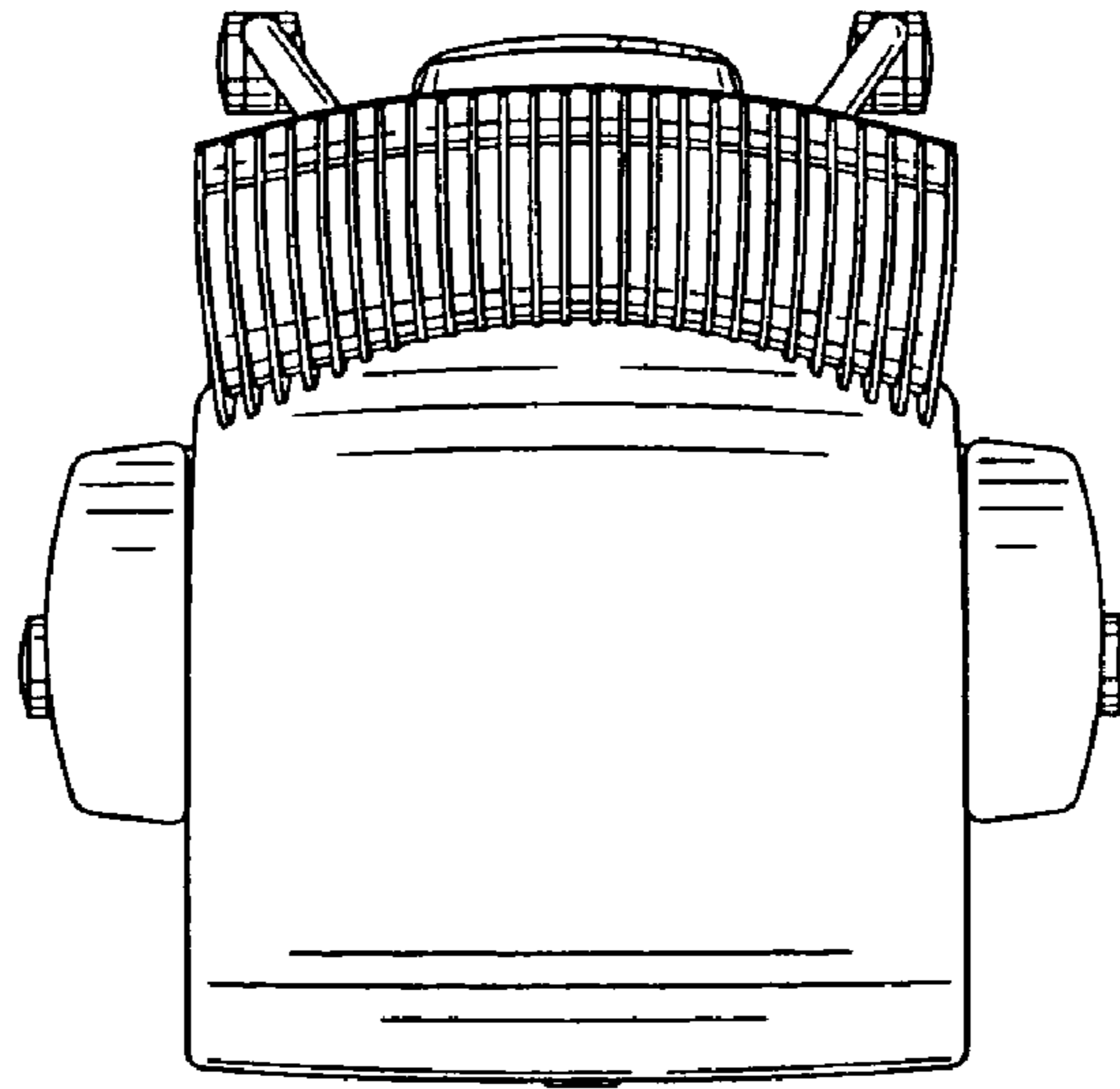


FIG. 14

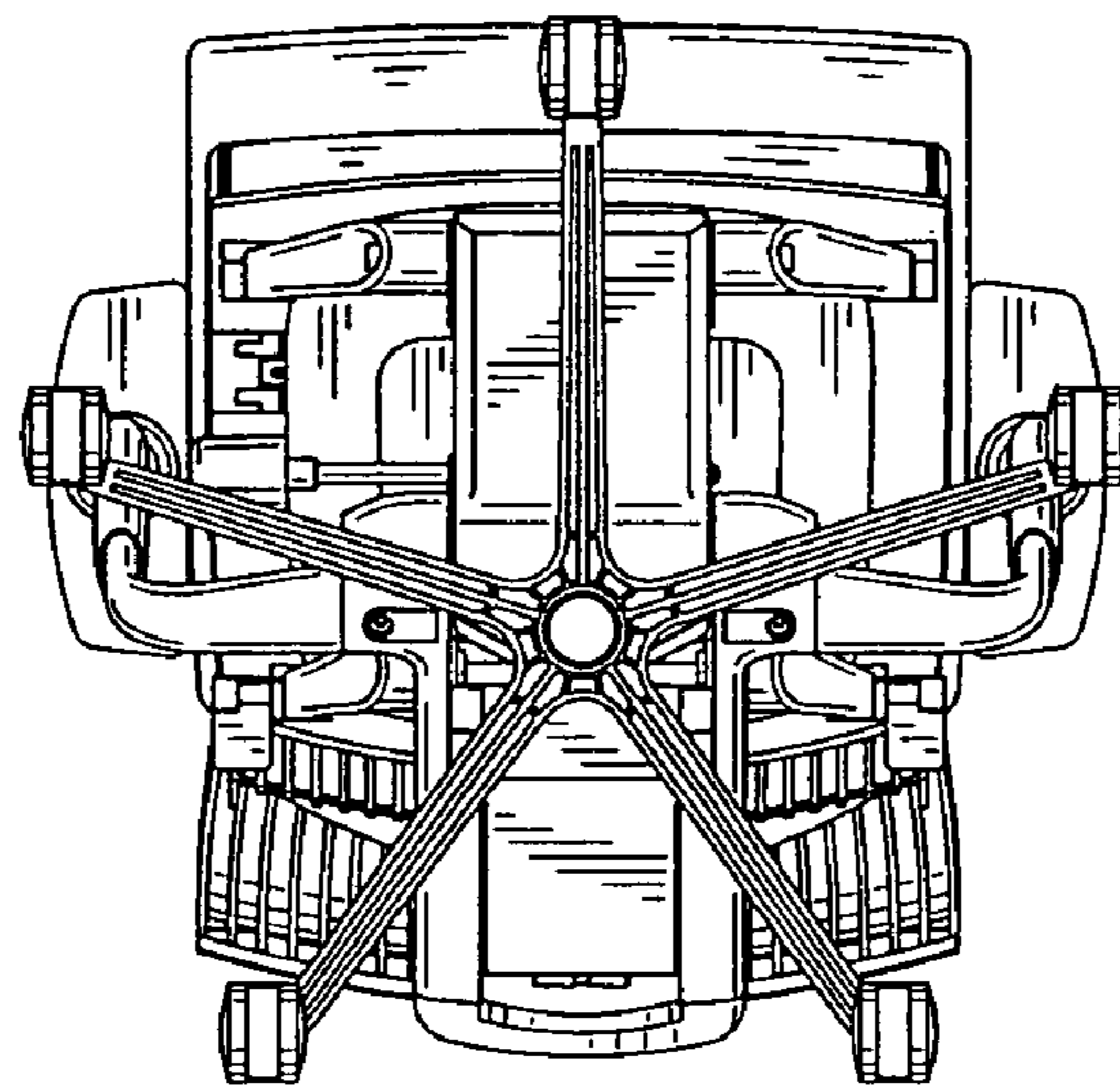


FIG. 15

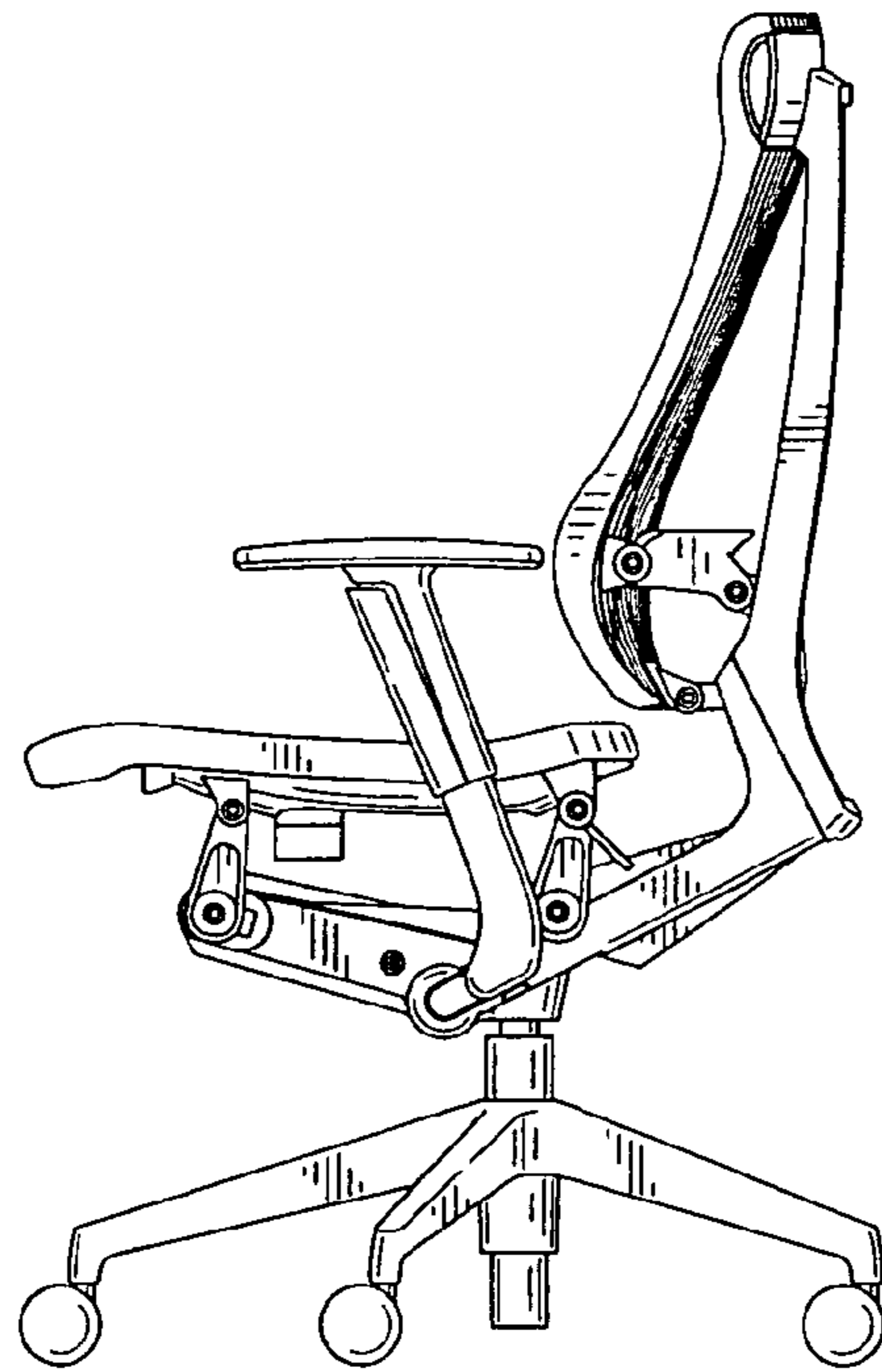


FIG. 16

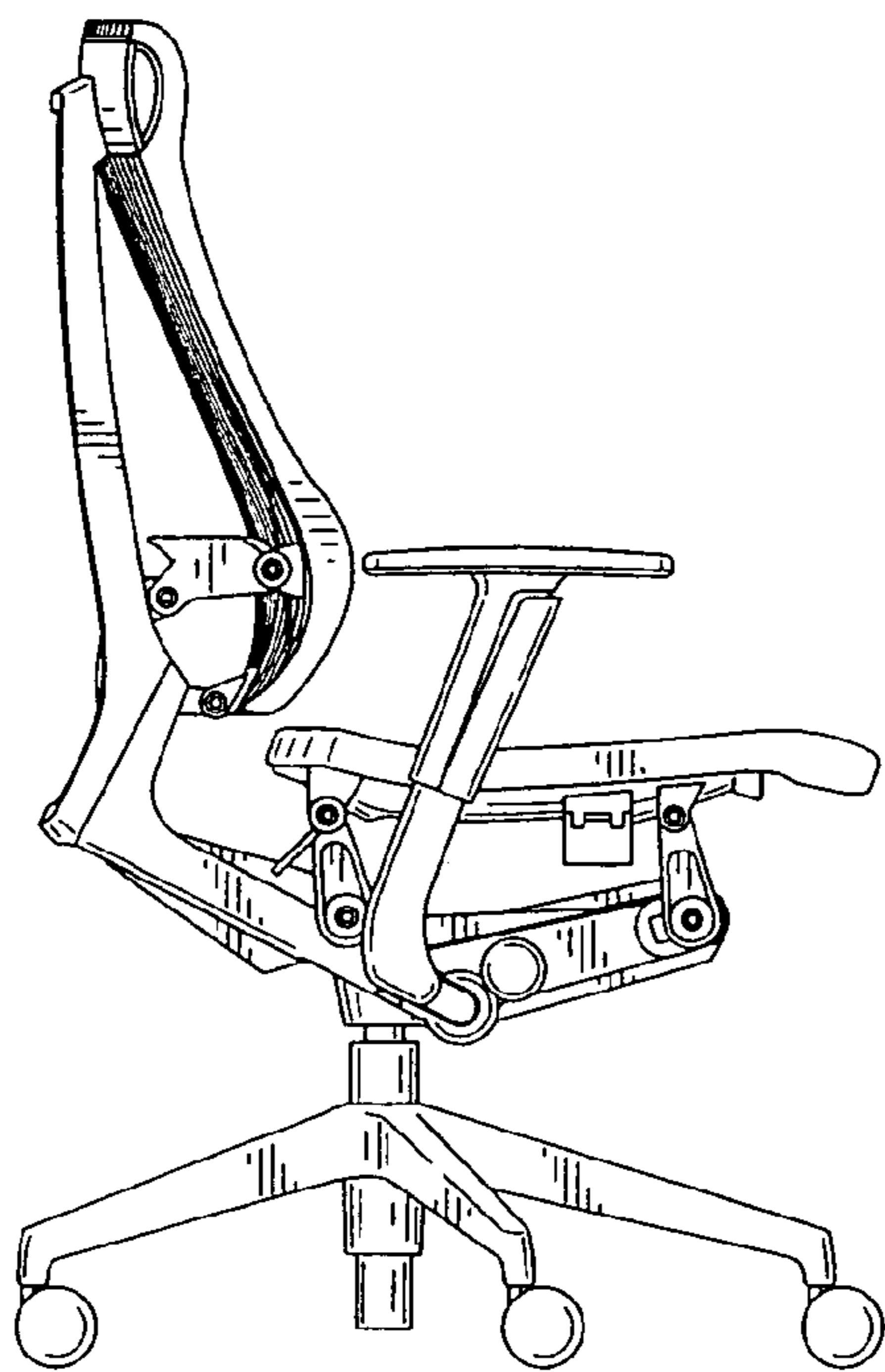


FIG. 17

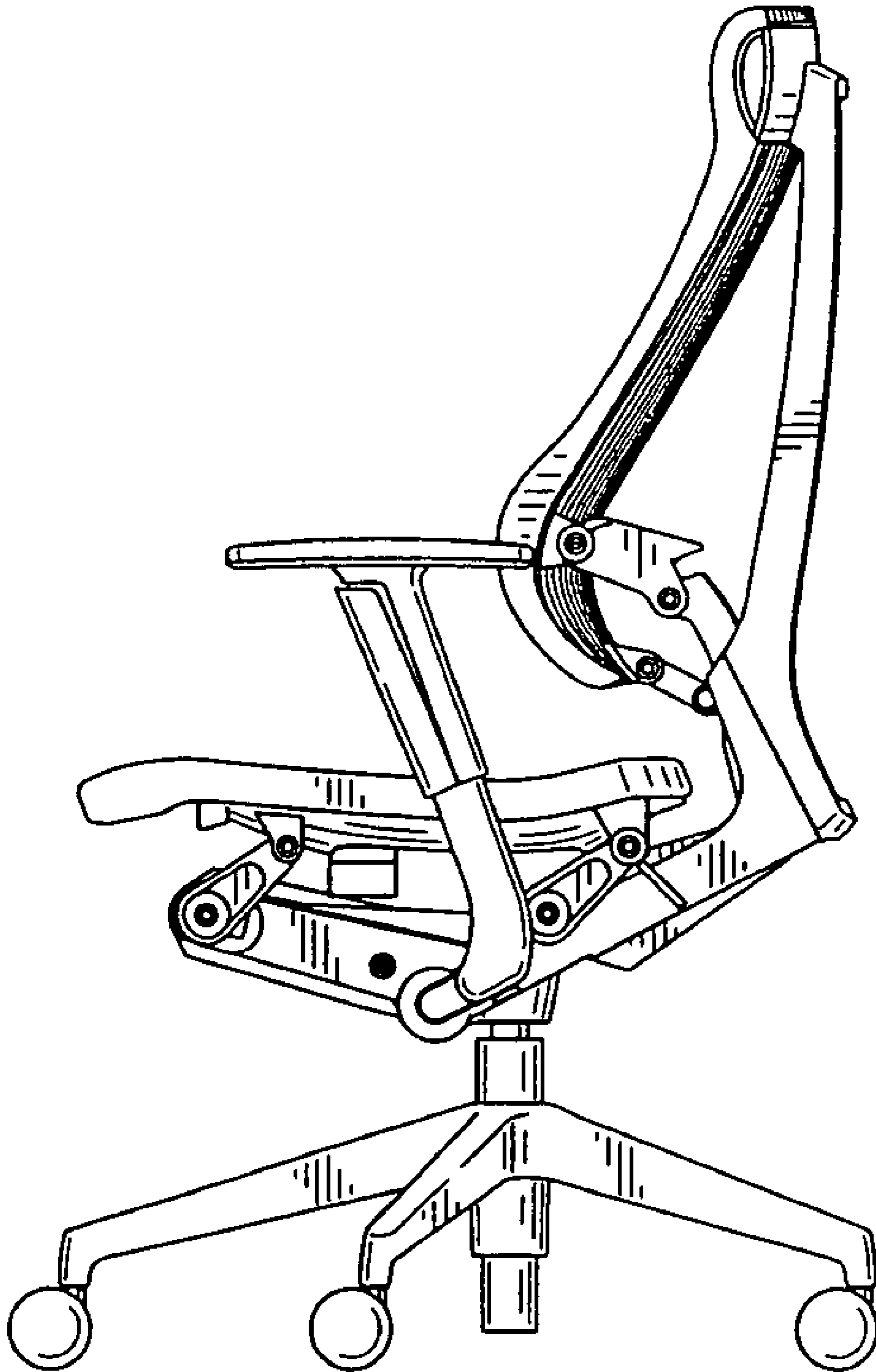


FIG. 18