



US00D553375S

(12) **United States Design Patent**
Grigg

(10) **Patent No.:** **US D553,375 S**

(45) **Date of Patent:** **** Oct. 23, 2007**

(54) **CHAIR**

(75) Inventor: **Russell Clifton Frank Grigg**, New South Wales (AU)

(73) Assignee: **Rust Global Enterprises Pty Ltd**, Melbourne Victoria (AU)

(**) Term: **14 Years**

(21) Appl. No.: **29/270,939**

(22) Filed: **Jan. 5, 2007**

(30) **Foreign Application Priority Data**

Jul. 7, 2006 (AU) 12897/06

(51) **LOC (8) Cl.** **06-01**

(52) **U.S. Cl.** **D6/361**

(58) **Field of Classification Search** D6/334-336, D6/360, 361, 374-376, 500-502; 5/630, 5/652, 656; 297/423.1, 440.12, 440.18, 452.12, 297/452.13, 452.17, 452.19

See application file for complete search history.

(56) **References Cited**

U.S. PATENT DOCUMENTS

2,215,540 A * 9/1940 Breuer 297/423.1
D174,496 S * 4/1955 Freedman et al. D6/361

D175,040 S * 6/1955 Race D6/361
D218,889 S * 10/1970 Lamb D6/361
D227,204 S * 6/1973 Grierson D6/361
D230,444 S * 2/1974 Kogoj et al. D6/361
D286,709 S * 11/1986 Schultz D6/361
D385,710 S * 11/1997 Beck D6/374
D490,618 S * 6/2004 Green et al. D6/361
D494,374 S * 8/2004 Cagle D6/361
D513,133 S * 12/2005 Harum D6/361

* cited by examiner

Primary Examiner—Mimosa De

(74) *Attorney, Agent, or Firm*—Ohlandt, Greeley, Ruggiero & Perle

(57) **CLAIM**

The ornamental design for a chair, as shown and described.

DESCRIPTION

FIG. 1 is a perspective view of a chair according to the present invention;

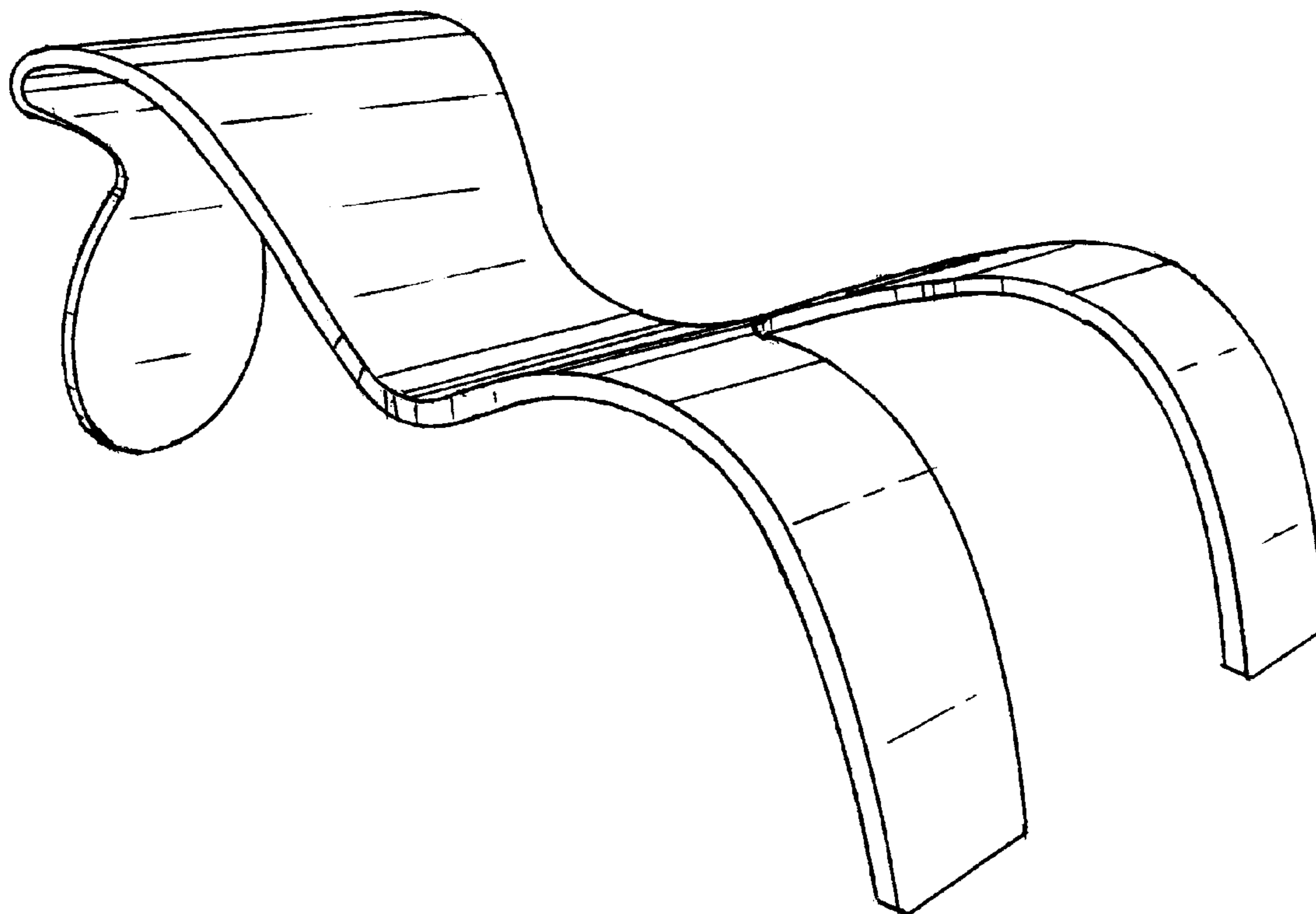
FIG. 2 is a top plan view thereof;

FIG. 3 is a side view thereof;

FIG. 4 is a front view thereof; and,

FIG. 5 is a rear view thereof.

1 Claim, 3 Drawing Sheets



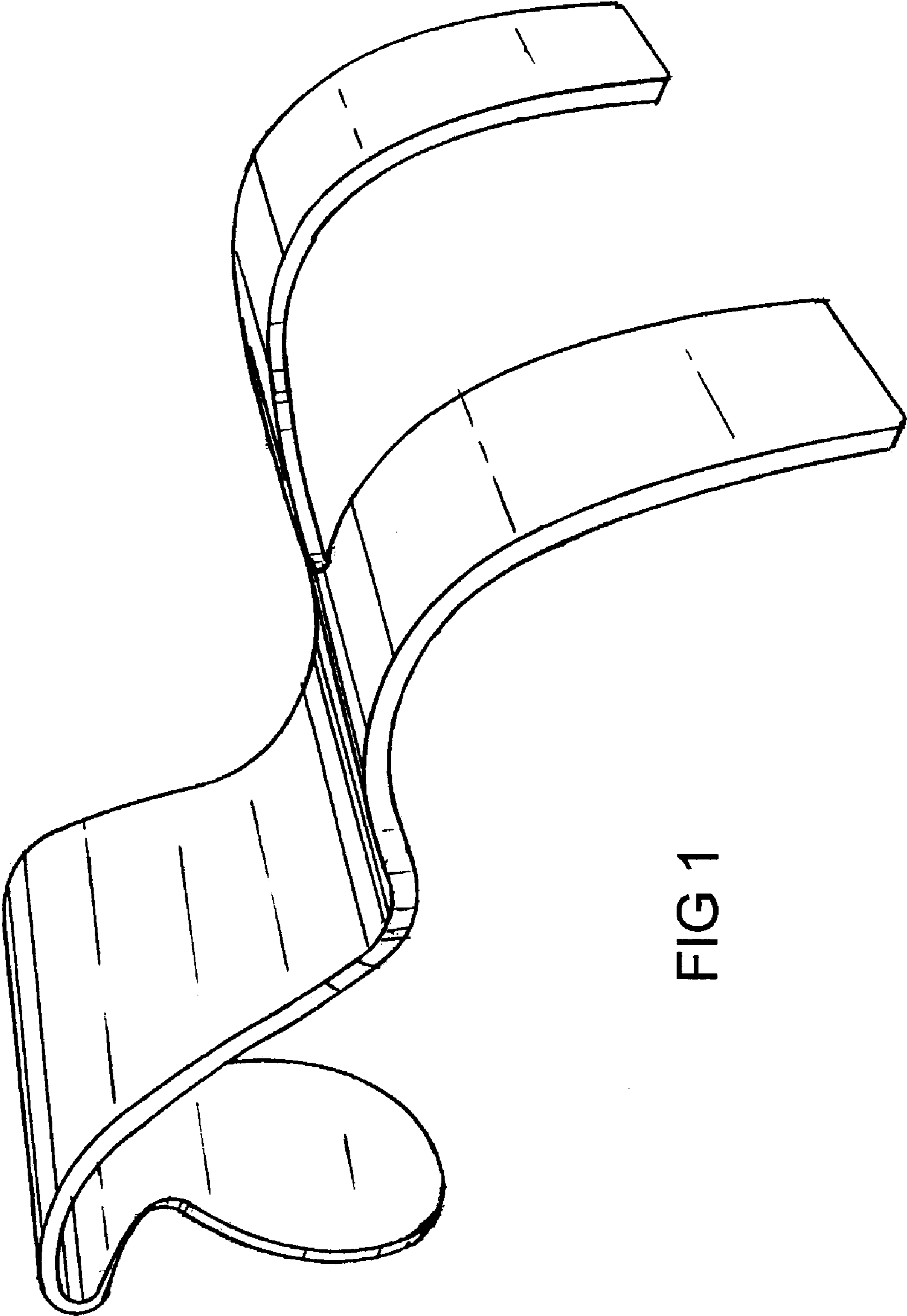


FIG 1

FIG 2

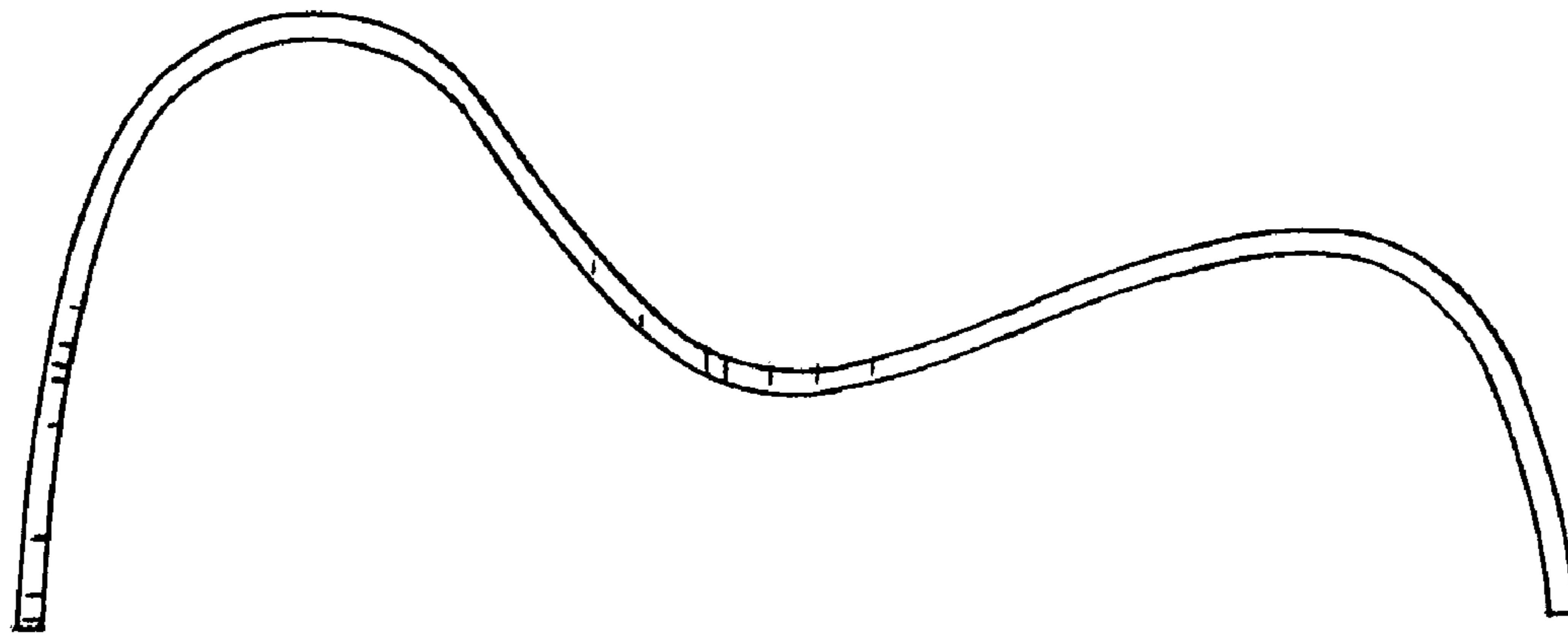
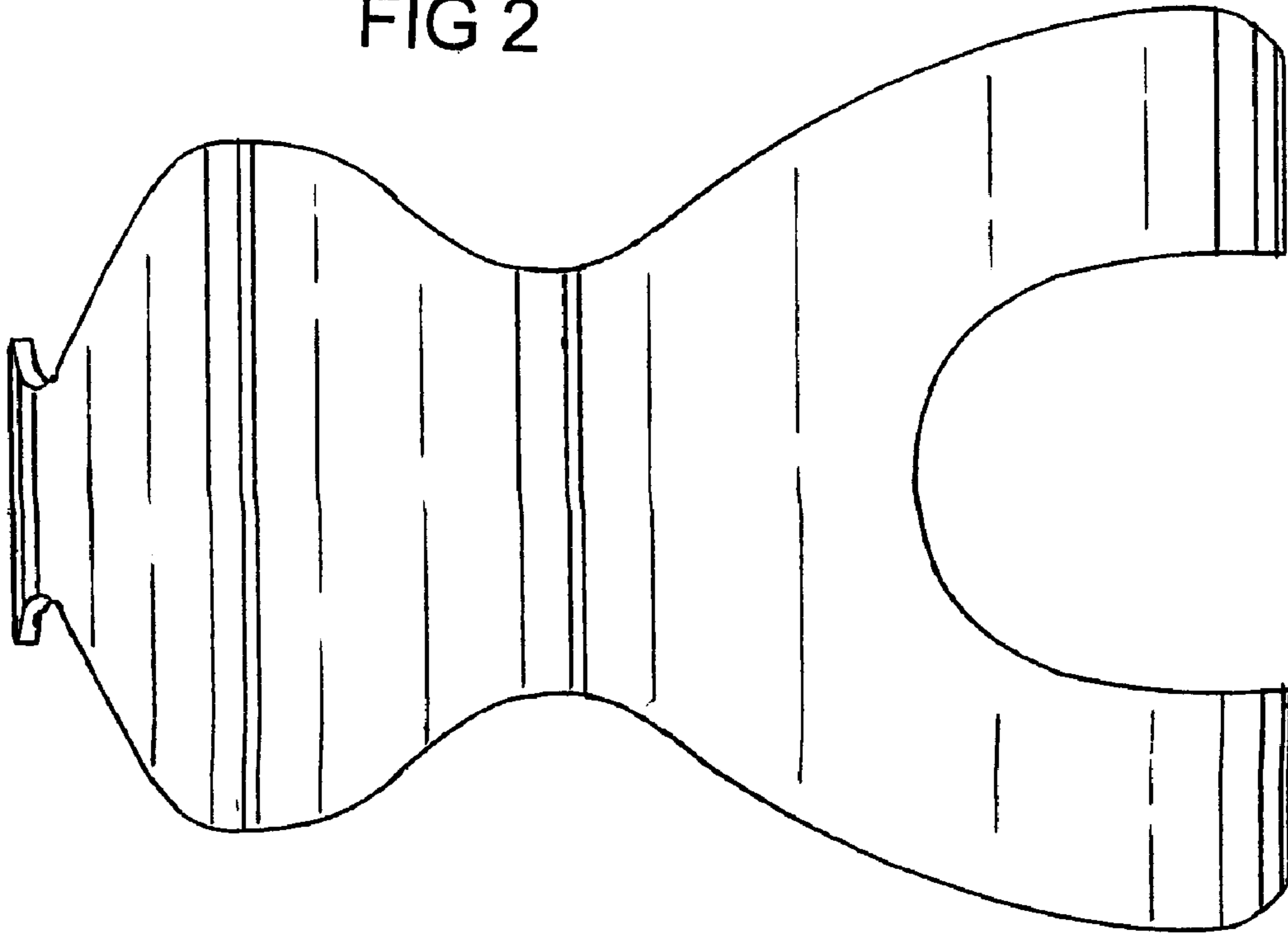


FIG 3

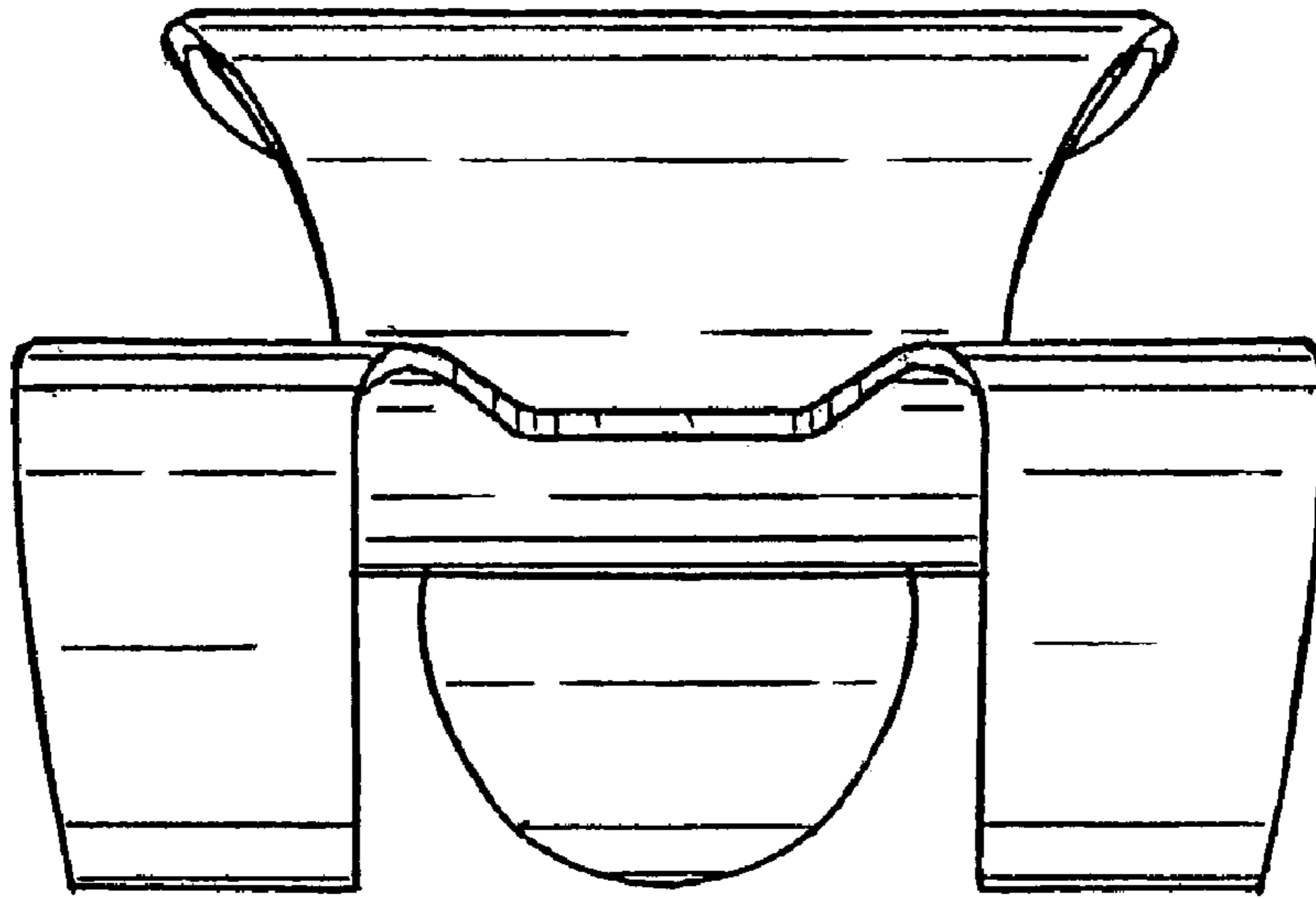


FIG 4

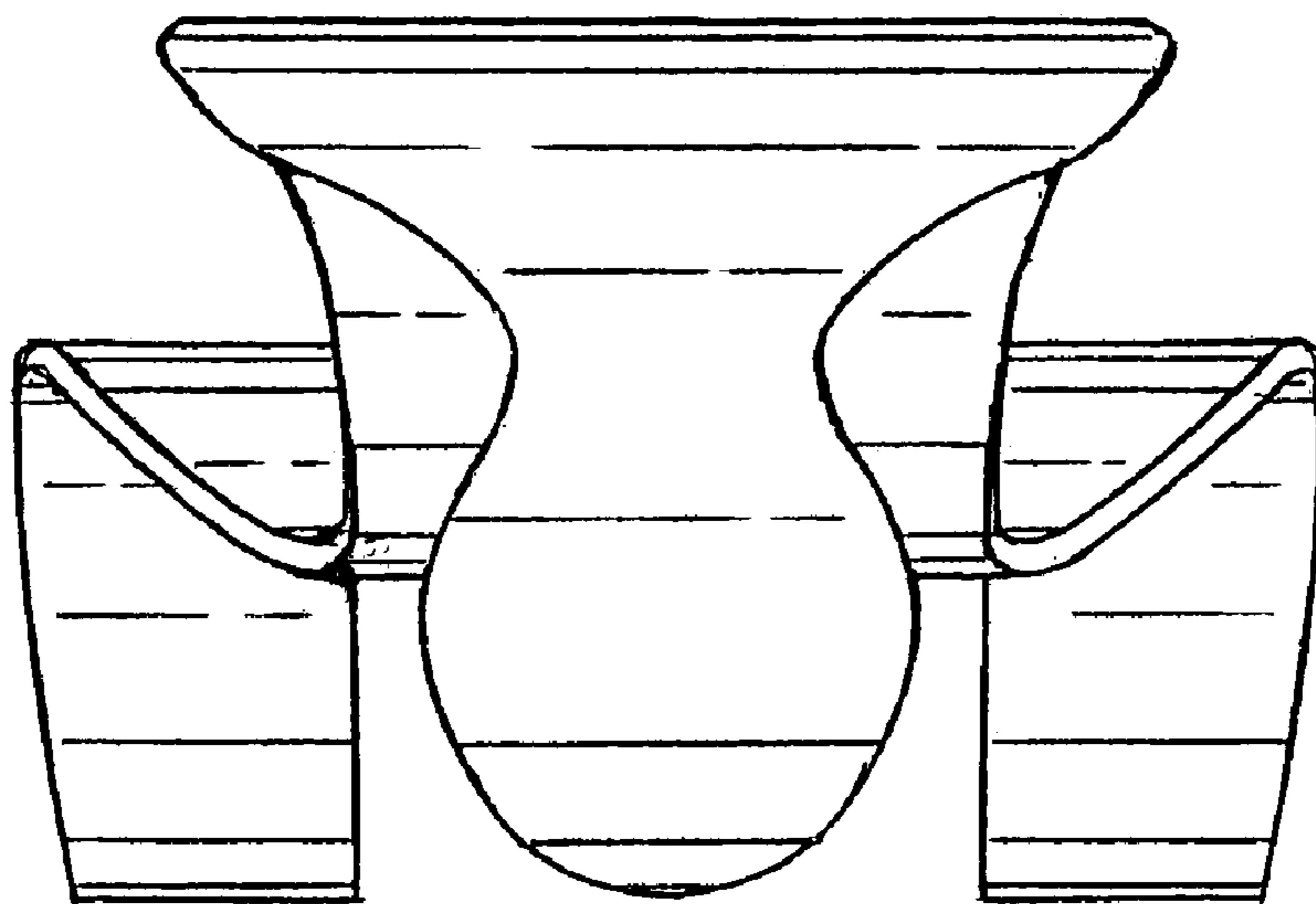


FIG 5