



US00D553374S

(12) **United States Design Patent**  
**Cordek**

(10) **Patent No.:** **US D553,374 S**

(45) **Date of Patent:** **\*\* Oct. 23, 2007**

(54) **CHAIR**

(75) Inventor: **Philip C. Cordek**, Columbus, OH (US)

(73) Assignee: **Champs Chairs LLC**, Columbus, OH (US)

(\*\*) Term: **14 Years**

(21) Appl. No.: **29/272,130**

(22) Filed: **Feb. 1, 2007**

(51) **LOC (8) Cl.** ..... **06-01**

(52) **U.S. Cl.** ..... **D6/358**

(58) **Field of Classification Search** ..... D6/334–336,  
D6/351, 358, 364, 374, 500–502; 297/181,  
297/423.38; 2/9, 205, 424, 425; D2/869,  
D2/878; D8/38; D14/232; D19/75; D29/105,  
D29/106

See application file for complete search history.

(56) **References Cited**

**U.S. PATENT DOCUMENTS**

D222,538 S *	11/1971	Bernard	.....	D6/364
D222,745 S *	12/1971	Bernard	.....	D6/364
D233,381 S *	10/1974	Wright	.....	D6/351
3,843,197 A *	10/1974	Wright	.....	297/423.38
D249,272 S *	9/1978	Sommerfeld	.....	D19/75
4,370,759 A *	2/1983	Zide	.....	2/424
D279,430 S *	7/1985	McLeroy	.....	D6/358
D332,507 S *	1/1993	Anderson et al.	.....	D29/106
D364,264 S *	11/1995	Sheer	.....	D2/869
D383,321 S *	9/1997	Honeycutt, Sr.	.....	D6/358
D383,953 S *	9/1997	DeFilippo	.....	D8/38
D408,236 S *	4/1999	Rennick	.....	D8/38
D420,670 S *	2/2000	Hernandez et al.	.....	D14/232
D425,515 S *	5/2000	Suh	.....	D14/232

D430,214 S *	8/2000	Palmer	.....	D19/75
D465,097 S *	11/2002	Stroud	.....	D6/358
D501,343 S *	2/2005	Miesieski et al.	.....	D6/515
7,036,151 B2 *	5/2006	Ide et al.	.....	2/9
2001/0054189 A1 *	12/2001	Halstead et al.	.....	2/9
2004/0025231 A1 *	2/2004	Ide et al.	.....	2/425
2005/0235403 A1 *	10/2005	Ide et al.	.....	2/425

\* cited by examiner

*Primary Examiner*—Mimosa De

(74) *Attorney, Agent, or Firm*—Frank H. Foster; Kremblas, Foster, Phillips & Pollick

(57) **CLAIM**

The ornamental design for a chair, as shown and described.

**DESCRIPTION**

FIG. 1 is a front perspective view of a chair showing my new design.

FIG. 2 is a front elevation view of the embodiment illustrated in FIG. 1.

FIG. 3 is a rear perspective view of the embodiment illustrated in FIG. 1.

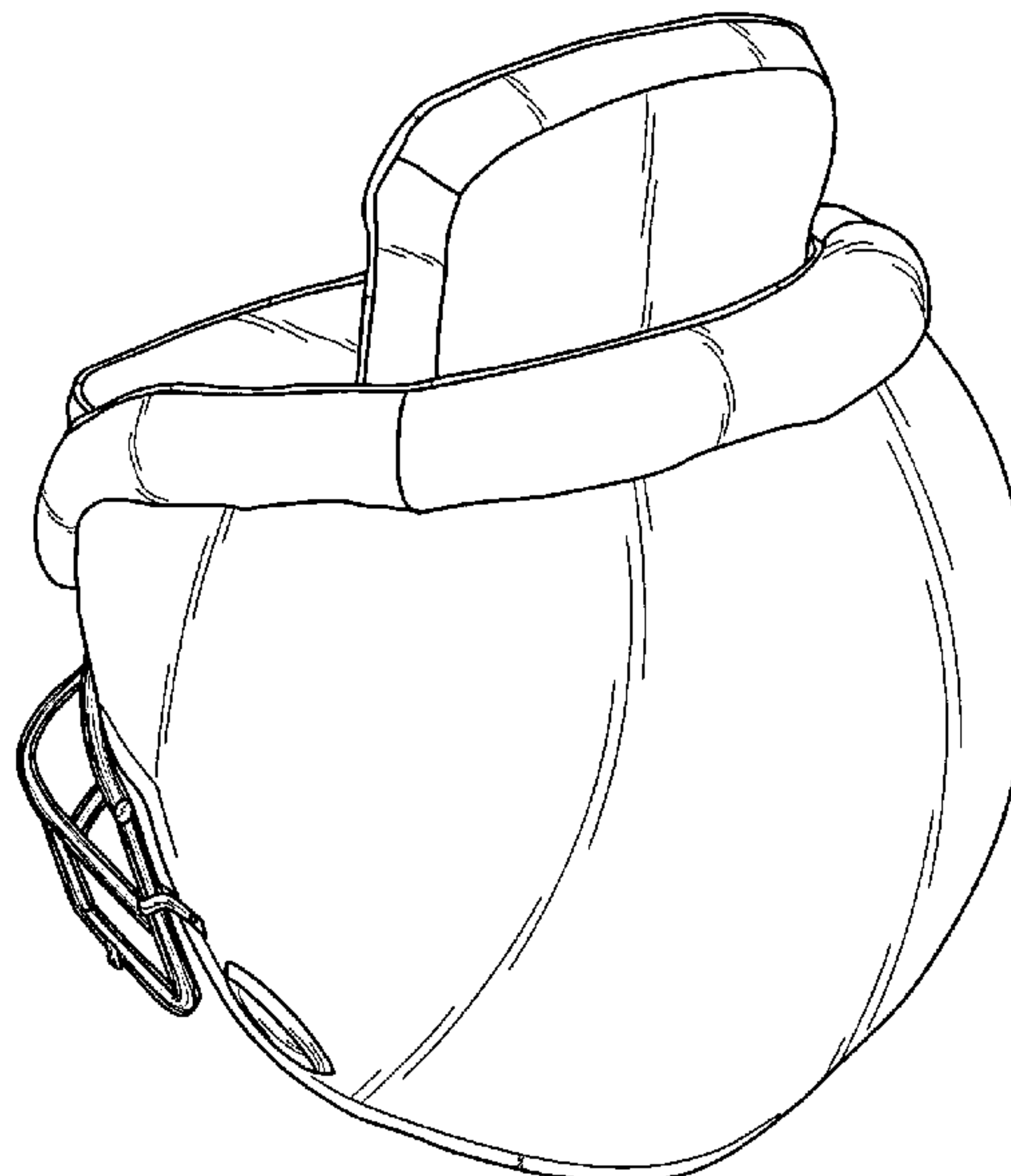
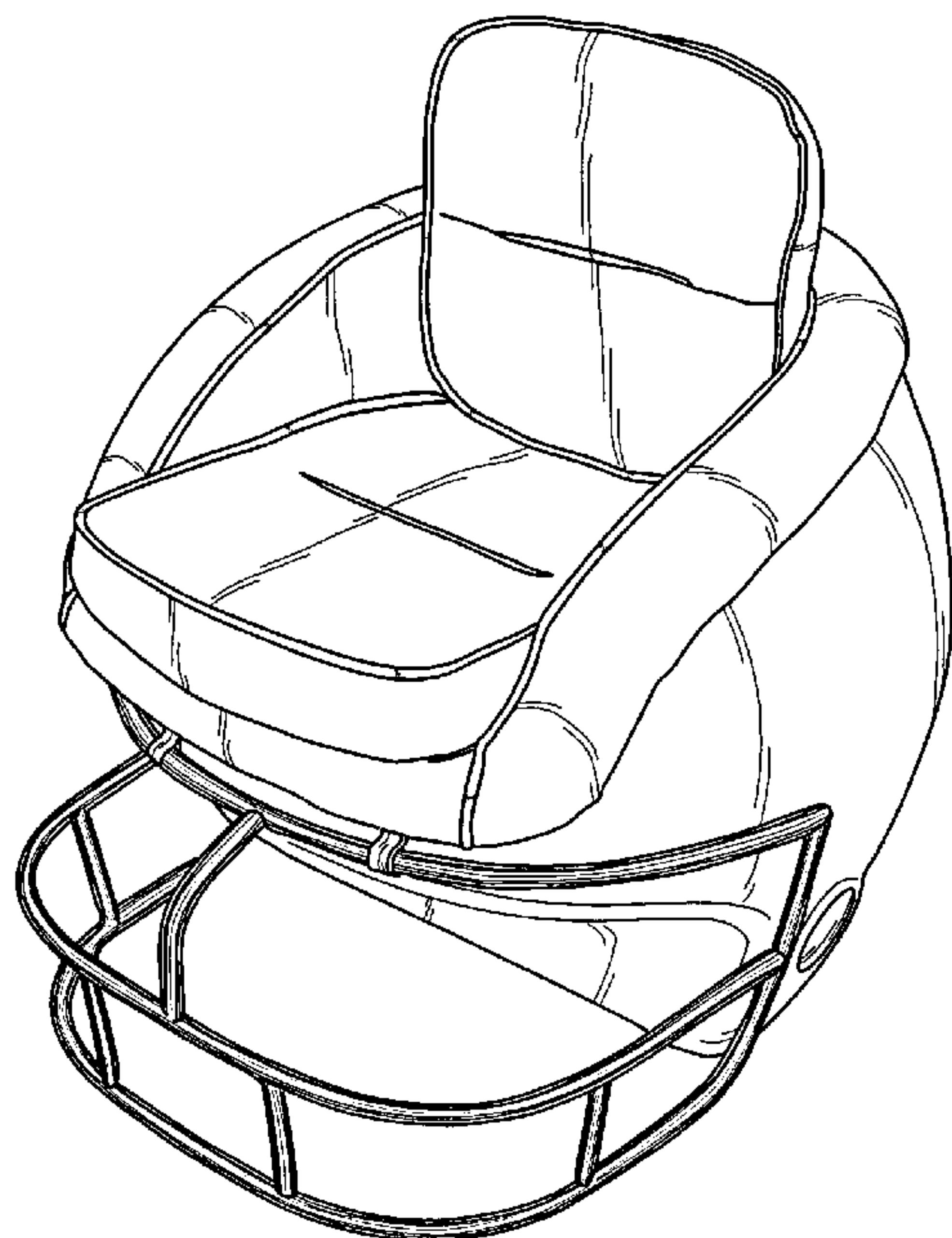
FIG. 4 is a top plan view of the embodiment illustrated in FIG. 1.

FIG. 5 is a bottom view of the embodiment illustrated in FIG. 1.

FIG. 6 is a rear elevation view of the embodiment illustrated in FIG. 1; and,

FIG. 7 is a right side elevation view of the embodiment illustrated in FIG. 1. The other (left) side is a mirror image of FIG. 7.

**1 Claim, 4 Drawing Sheets**



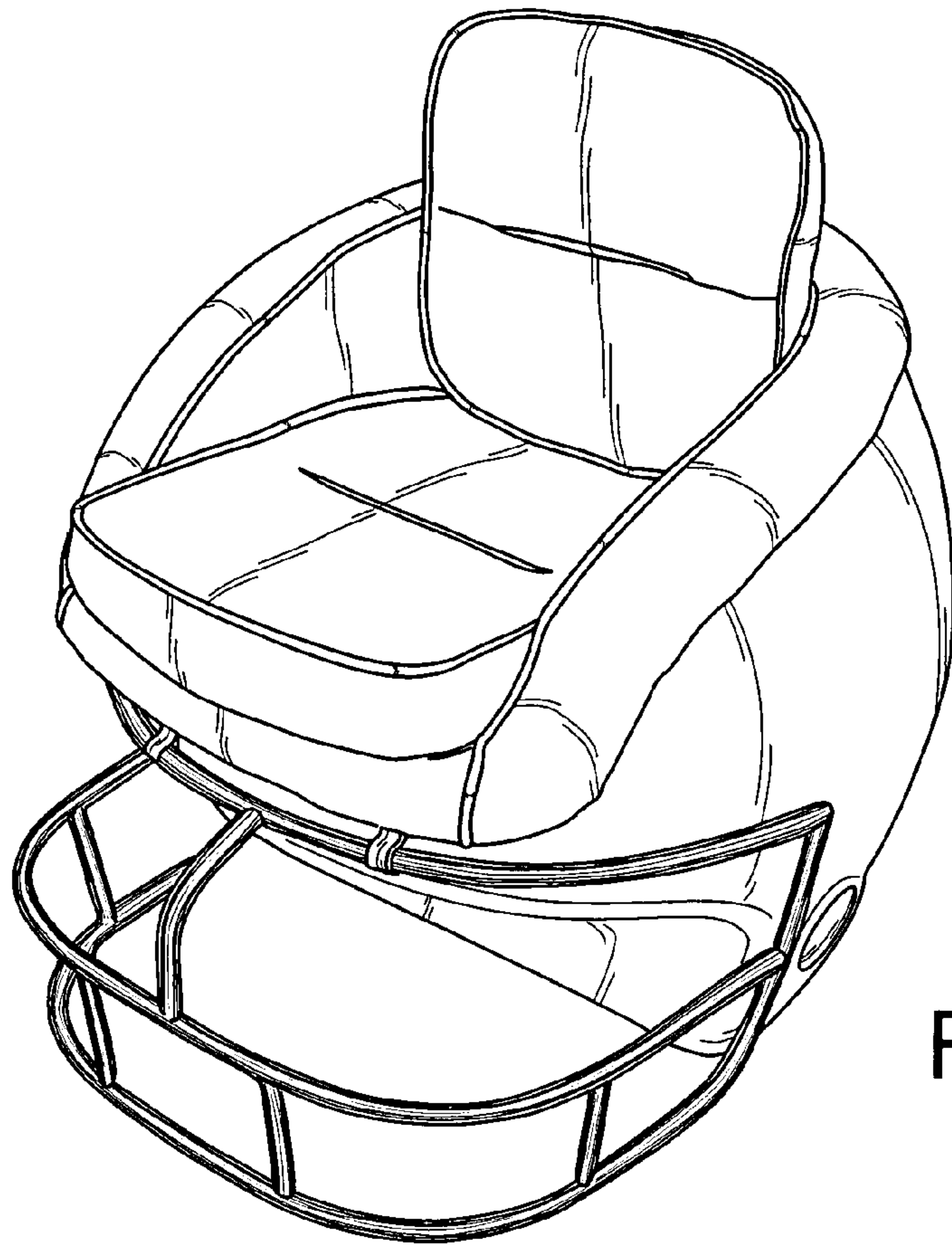


FIG. 1

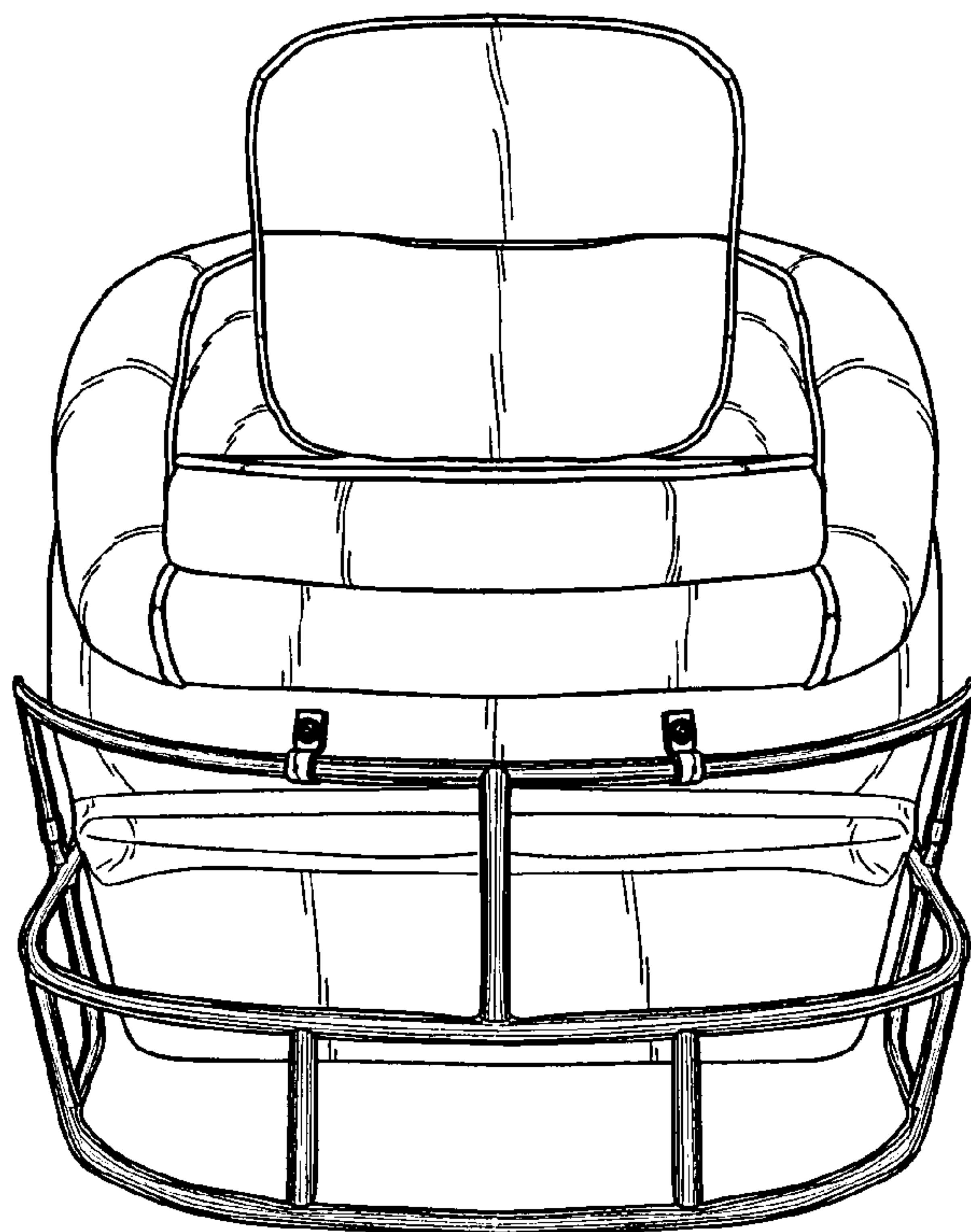


FIG. 2

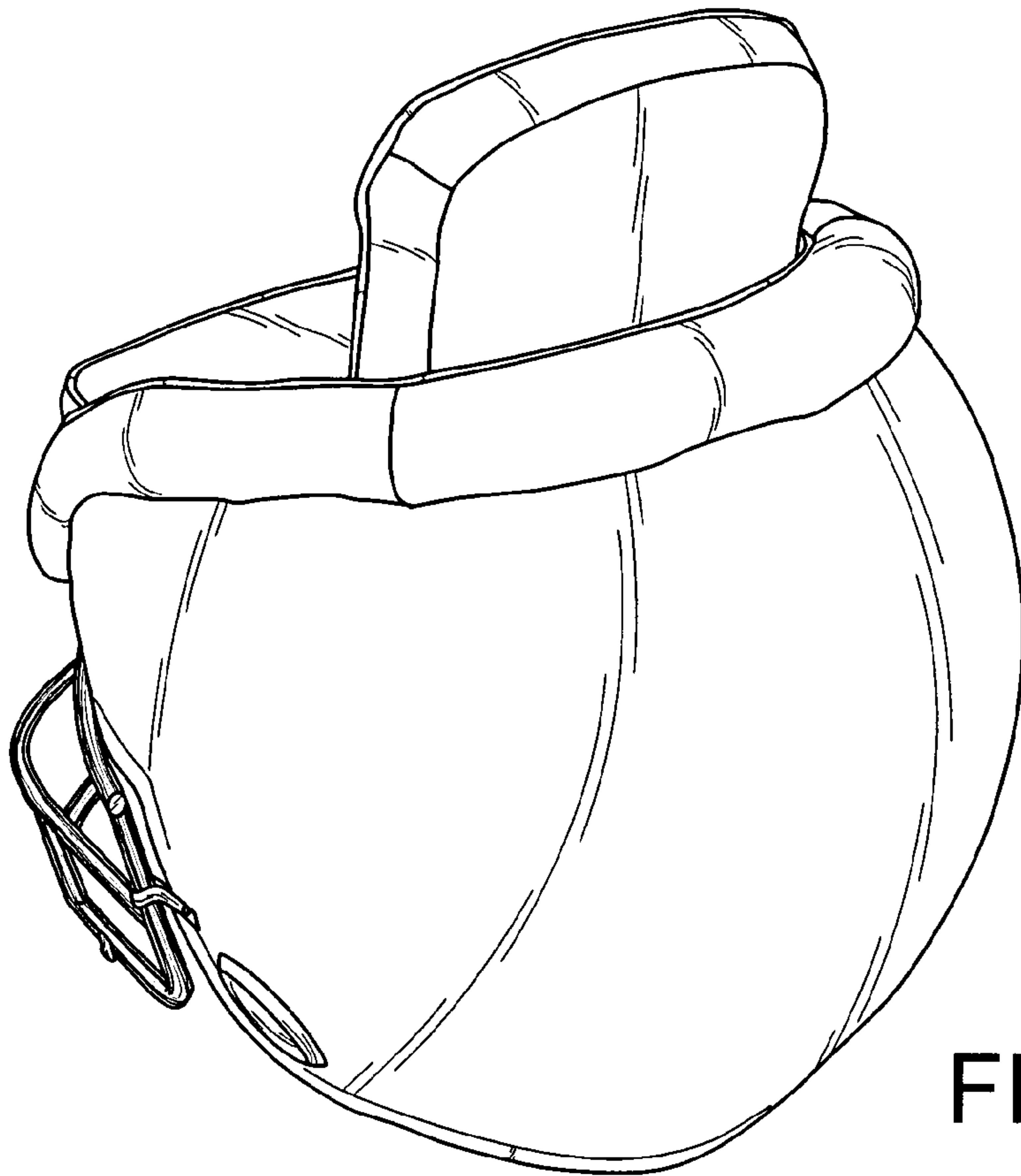


FIG. 3

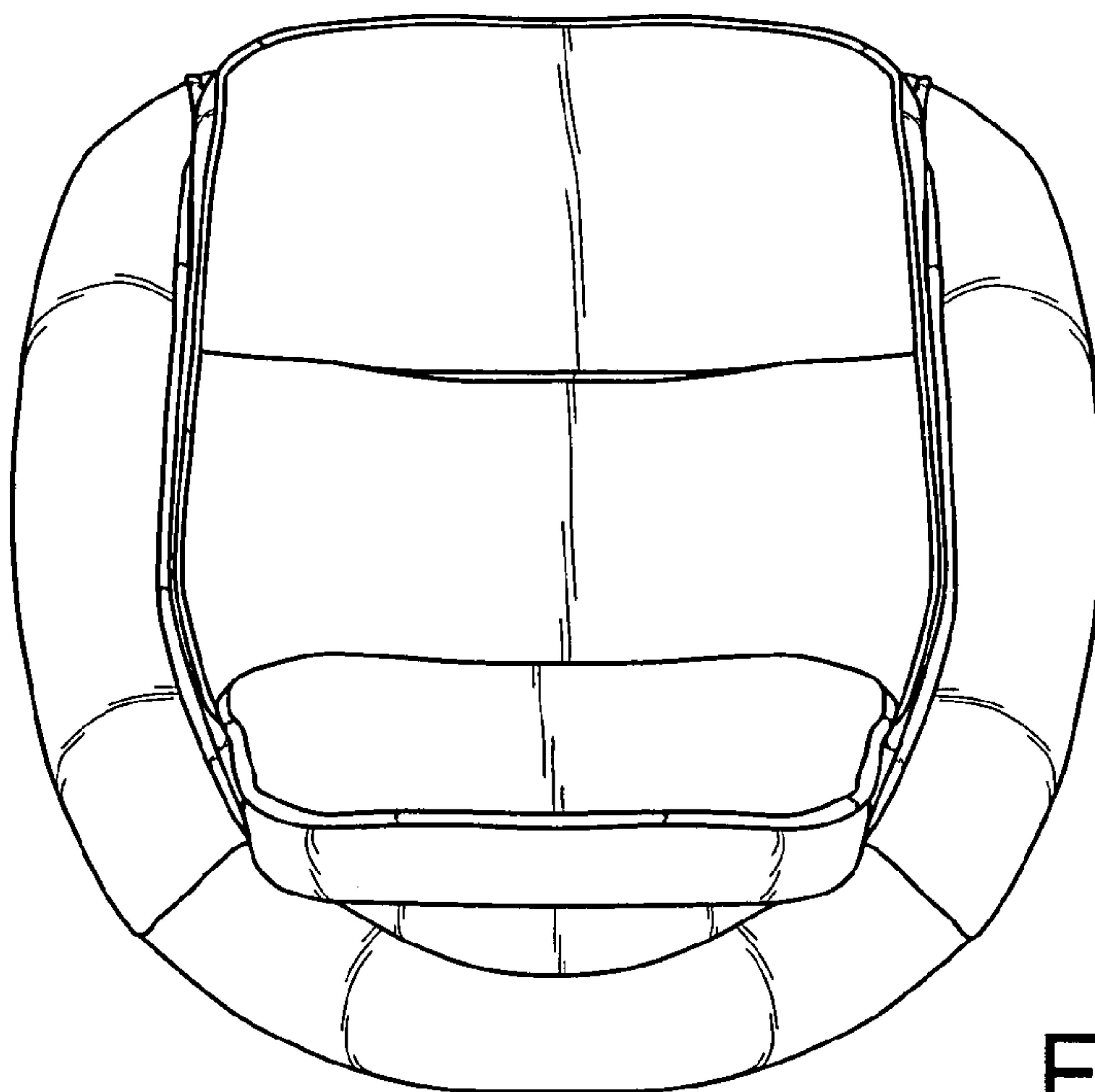


FIG. 4



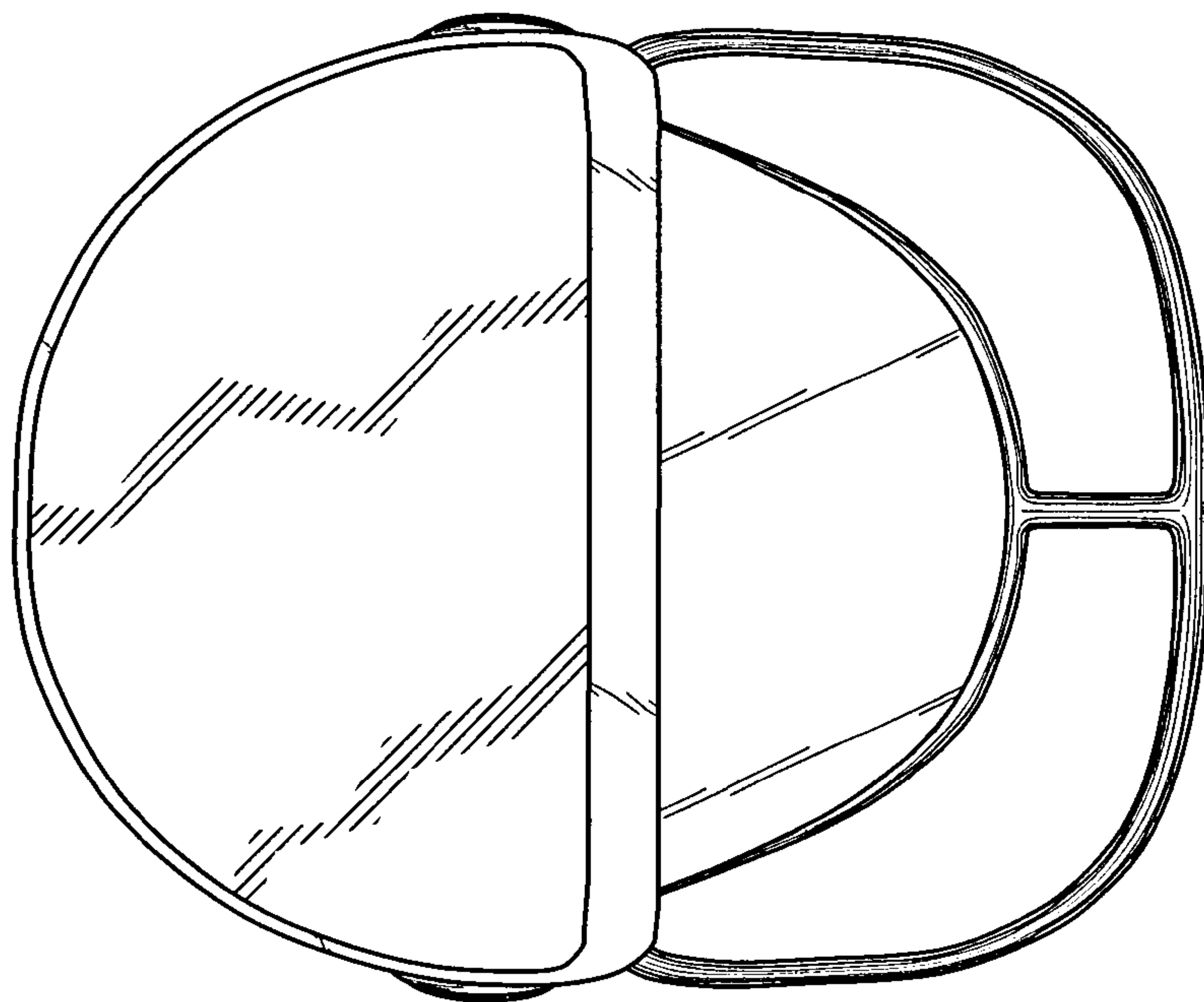


FIG. 5

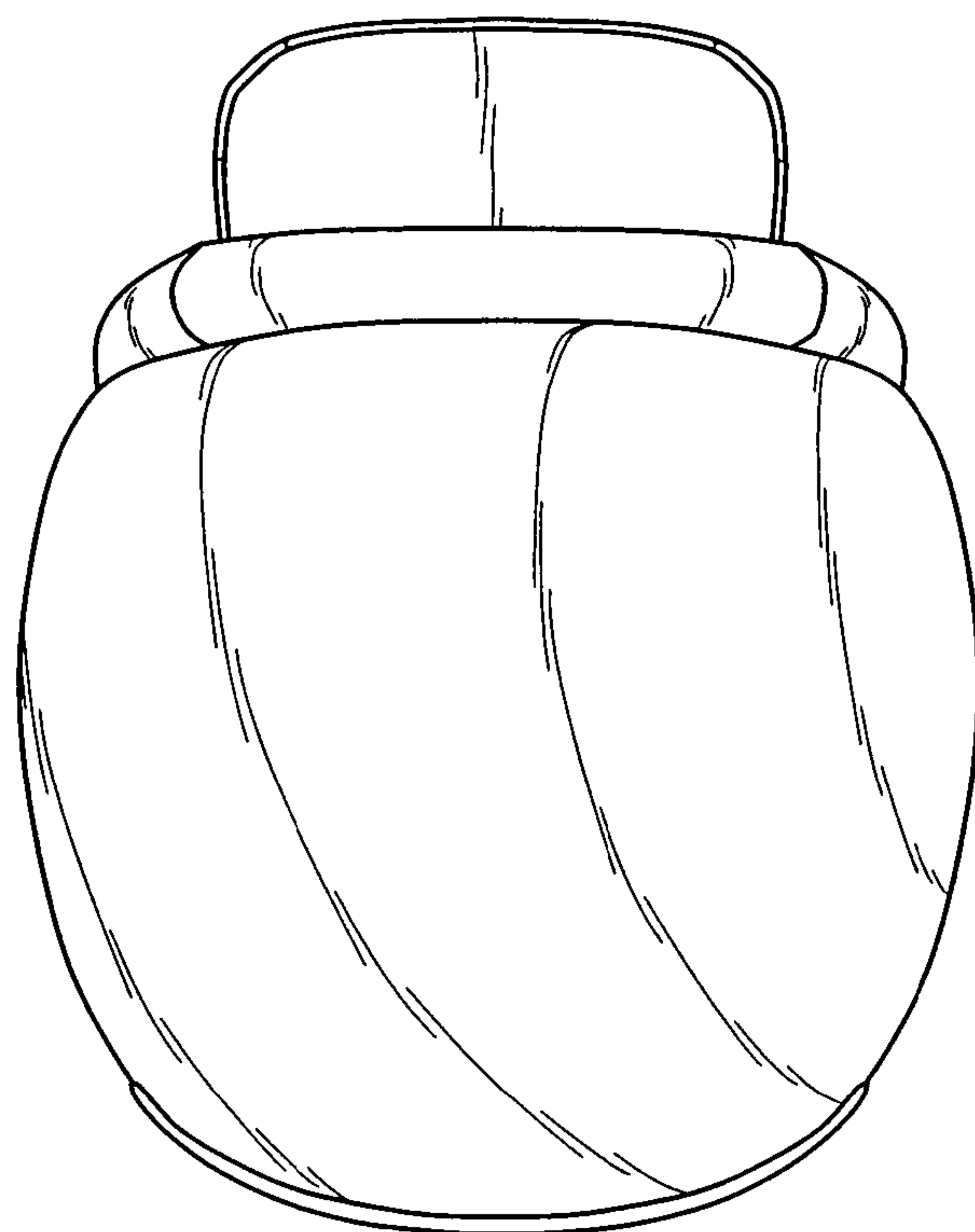


FIG. 6

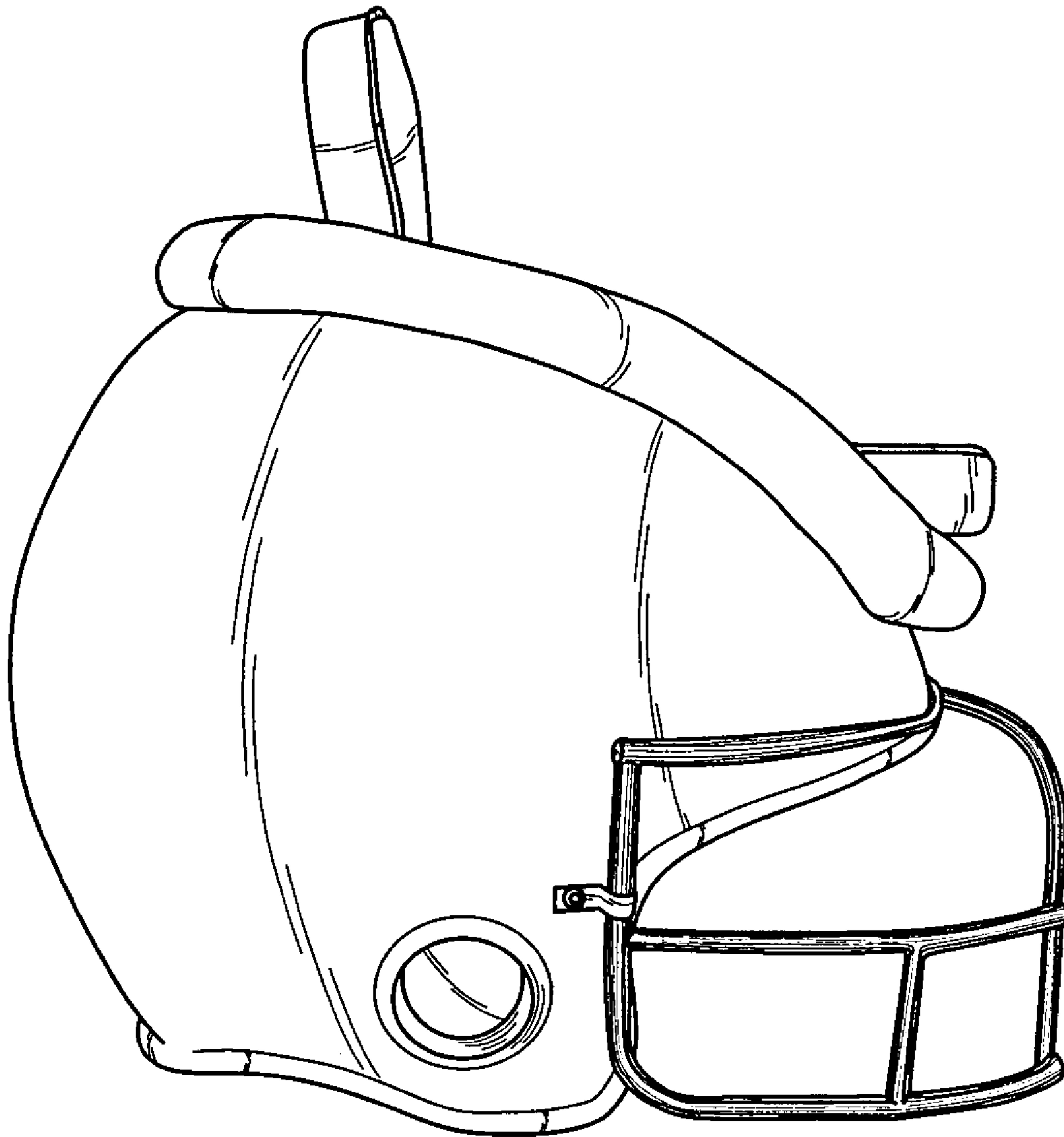


FIG. 7