



US00D553371S

(12) **United States Design Patent**
Haskell

(10) **Patent No.:** **US D553,371 S**

(45) **Date of Patent:** **** Oct. 23, 2007**

(54) **FOLDABLE LEG SUPPORT**

(76) Inventor: **Christopher F. Haskell**, 45 Aspen La.,
Danbury, NH (US) 03230

(**) Term: **14 Years**

(21) Appl. No.: **29/250,300**

(22) Filed: **Nov. 9, 2006**

(51) **LOC (8) Cl.** **06-01**

(52) **U.S. Cl.** **D6/353**

(58) **Field of Classification Search** D6/349–355,
D6/363–364, 484, 495, 500–502; 297/195.1,
297/195.11, 16.1, 118, 16.2, 175, 187, 462,
297/215.16, 219.11, 423.1, 423.39, 423.41,
297/423.43, 461; 108/53.3, 115, 150
See application file for complete search history.

(56) **References Cited**

U.S. PATENT DOCUMENTS

110,240	A *	12/1870	James	297/423.39
120,176	A *	10/1871	Withall	297/423.39
183,475	A *	10/1876	Weddle	297/423.39
195,425	A *	9/1877	Weddle	297/423.39
217,621	A *	7/1879	Jungmann	297/423.39
266,630	A *	10/1882	Jambers	297/423.39
277,880	A	5/1883	Burris et al.		
1,315,264	A	9/1919	Walker		
1,979,152	A	10/1934	Green et al.		
2,085,164	A *	6/1937	Mead	297/423.43
2,614,613	A	10/1952	Bushong		
2,615,503	A *	10/1952	Enge	297/423.39
2,914,117	A *	11/1959	Underwood	297/440.19
3,264,033	A	8/1966	Hansburg		
3,485,526	A *	12/1969	Olitzky	297/31
D240,873	S *	8/1976	Lewis	D6/368
4,067,614	A *	1/1978	Confer et al.	297/423.39
4,077,668	A *	3/1978	Puccinelli	297/440.19
5,154,484	A	10/1992	Aronson		
D343,524	S *	1/1994	Mandle	D6/363
D365,696	S *	1/1996	Infanti	D6/368

5,813,721	A *	9/1998	Arcidiacono	297/16.1
D400,723	S *	11/1998	Bergeson et al.	D6/368
6,045,192	A *	4/2000	Faulise	297/423.39
6,257,660	B1 *	7/2001	Calvey	297/16.1
D457,740	S *	5/2002	Rosa	D6/368

* cited by examiner

Primary Examiner—Sandra Snapp
(74) *Attorney, Agent, or Firm*—O’Connell Law Office

(57) **CLAIM**

I claim the new and ornamental design for a foldable leg support, as shown and described.

DESCRIPTION

FIG. 1 is a perspective view of a foldable leg support showing my new design in a folded configuration;

FIG. 2 is a perspective view of the foldable leg support of FIG. 1 in an open configuration;

FIG. 3 is a perspective view of the foldable leg support of FIG. 1 in an open configuration;

FIG. 4 is a view in front elevation of the foldable leg support of FIG. 1 in an open configuration;

FIG. 5 is a view in rear elevation of the foldable leg support of FIG. 1 in an open configuration;

FIG. 6 is a view in right side elevation of the foldable leg support of FIG. 1 in an open configuration;

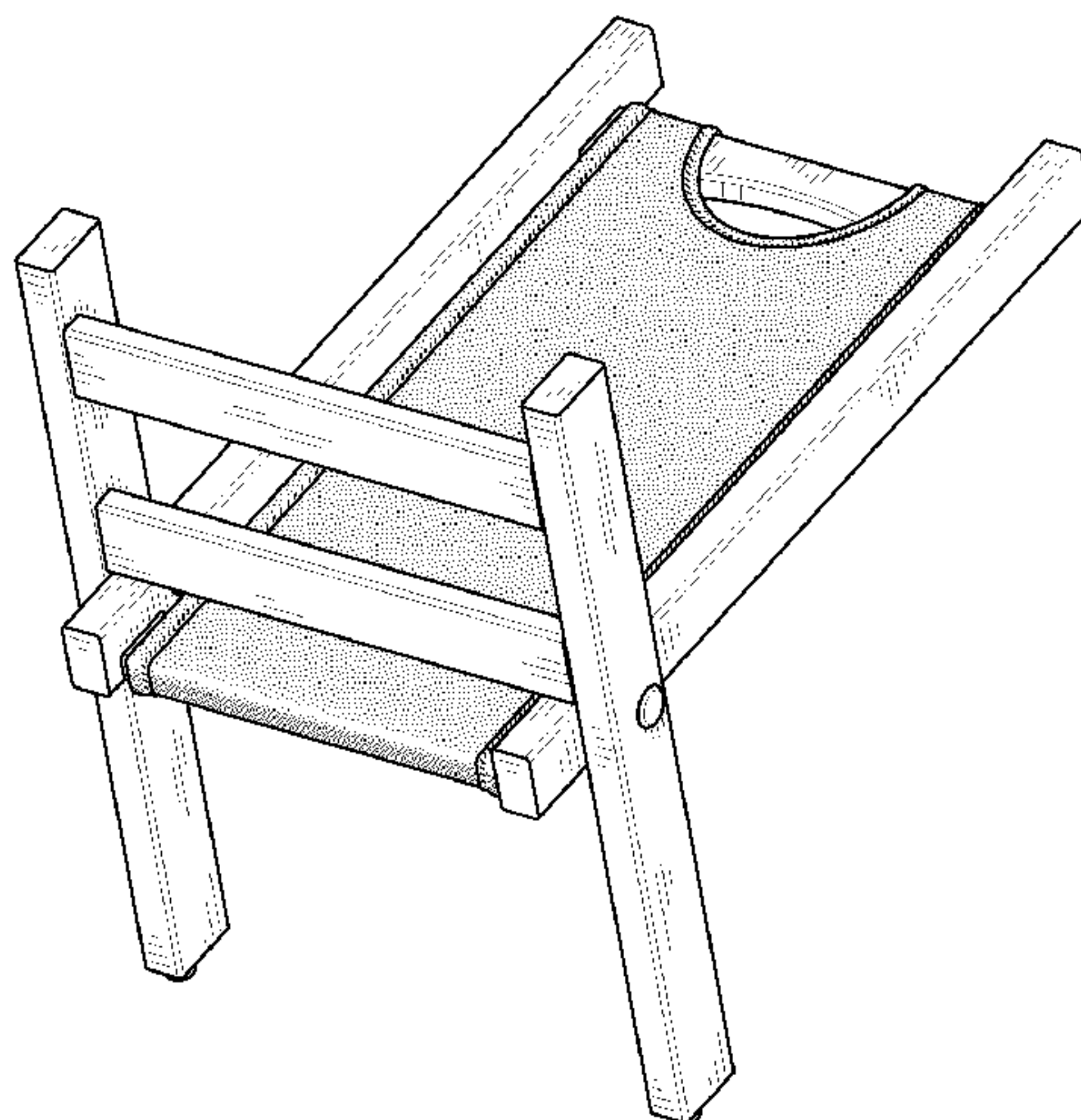
FIG. 7 is a view in left side elevation of the foldable leg support of FIG. 1 in an open configuration;

FIG. 8 is a top plan view of the foldable leg support of FIG. 1 in an open configuration; and,

FIG. 9 is a bottom plan view of the foldable leg support of FIG. 1 in an open configuration.

The broken lines in FIGS. 3 and 7 depicting legs of a person resting on the foldable leg support form no part of the claimed design.

1 Claim, 6 Drawing Sheets



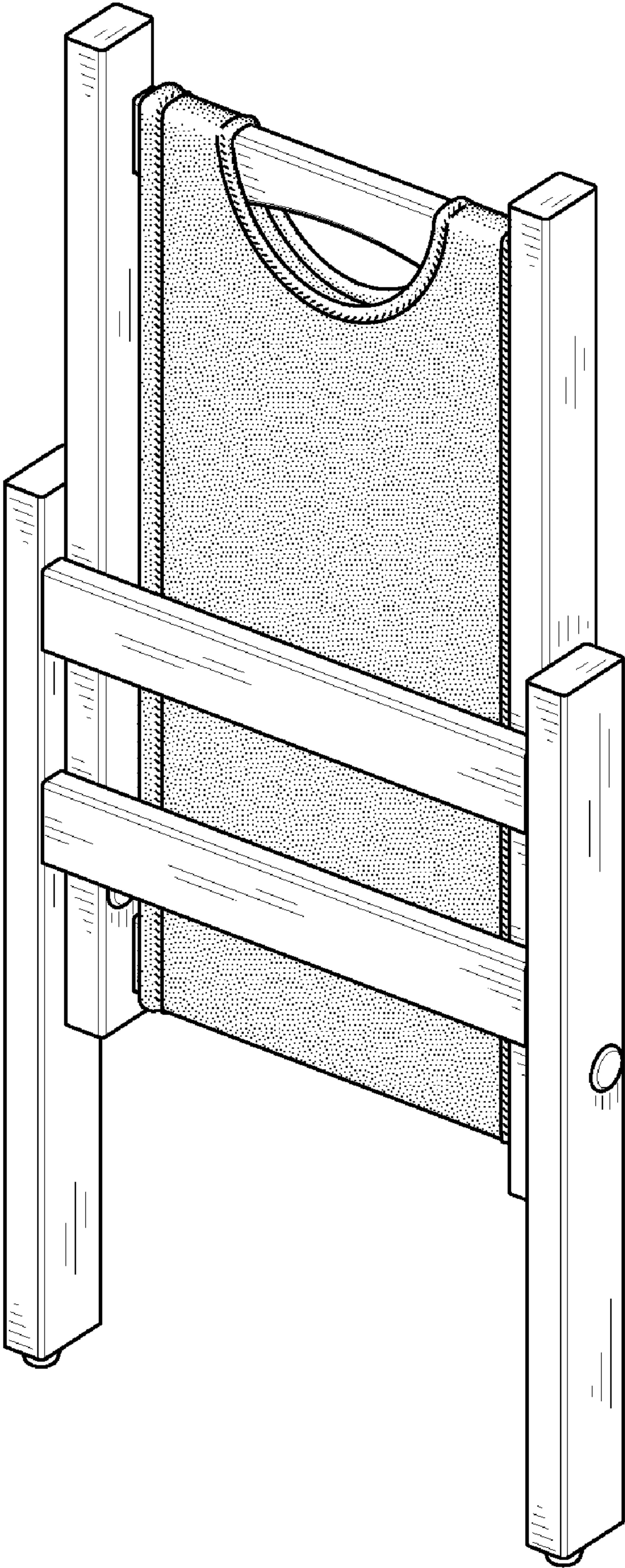


FIG. 1

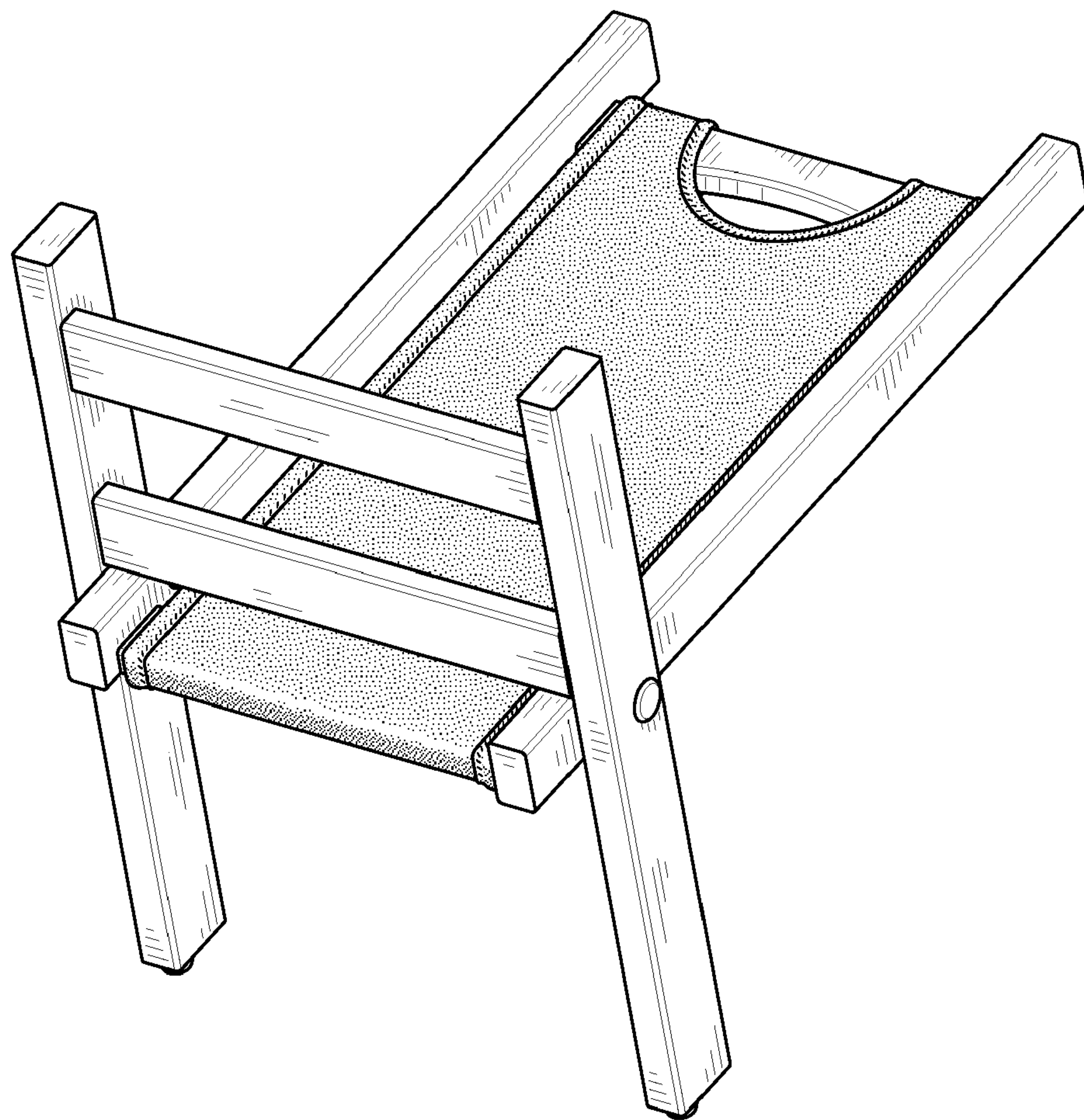


FIG. 2

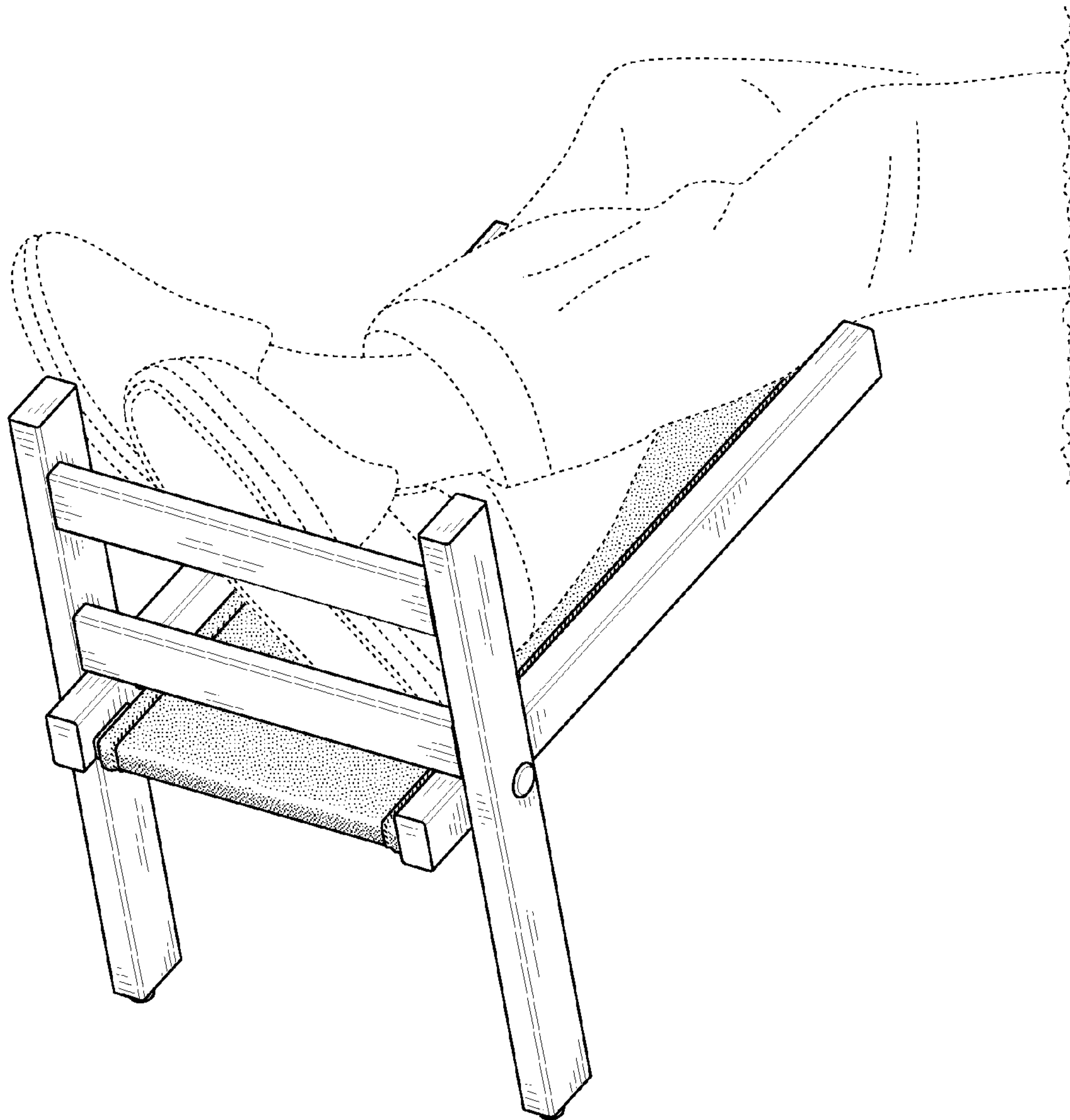


FIG. 3

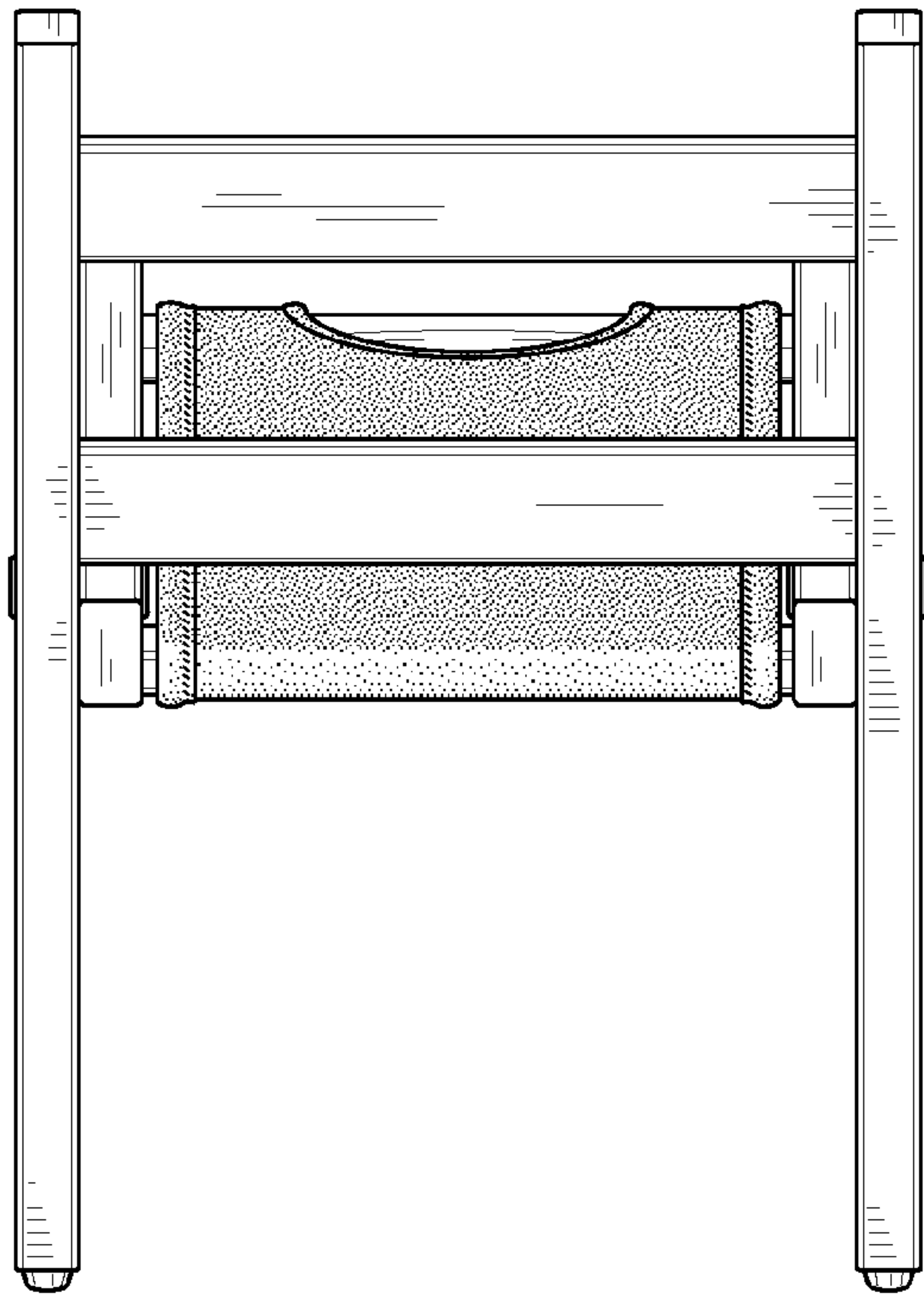


FIG. 4

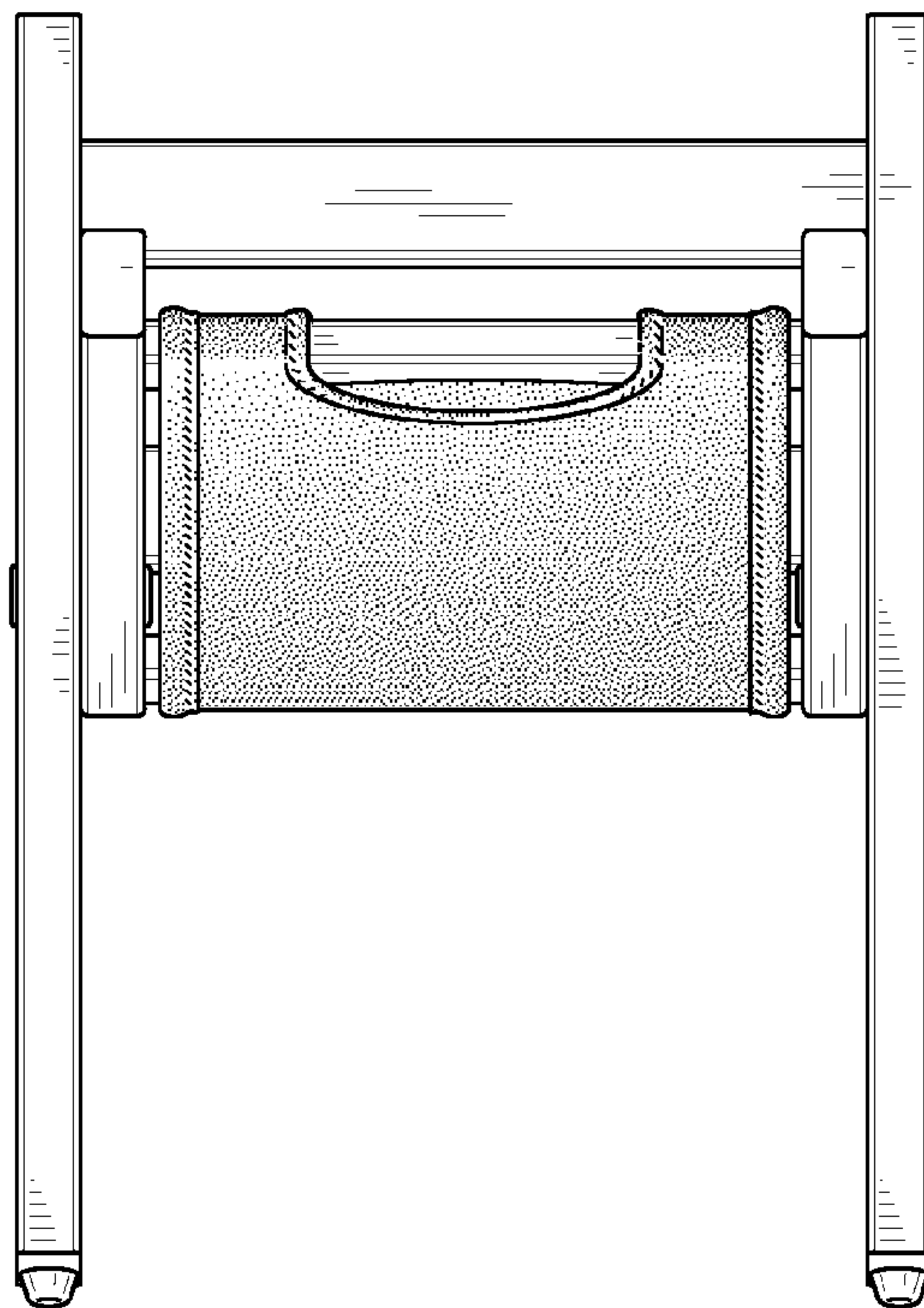


FIG. 5

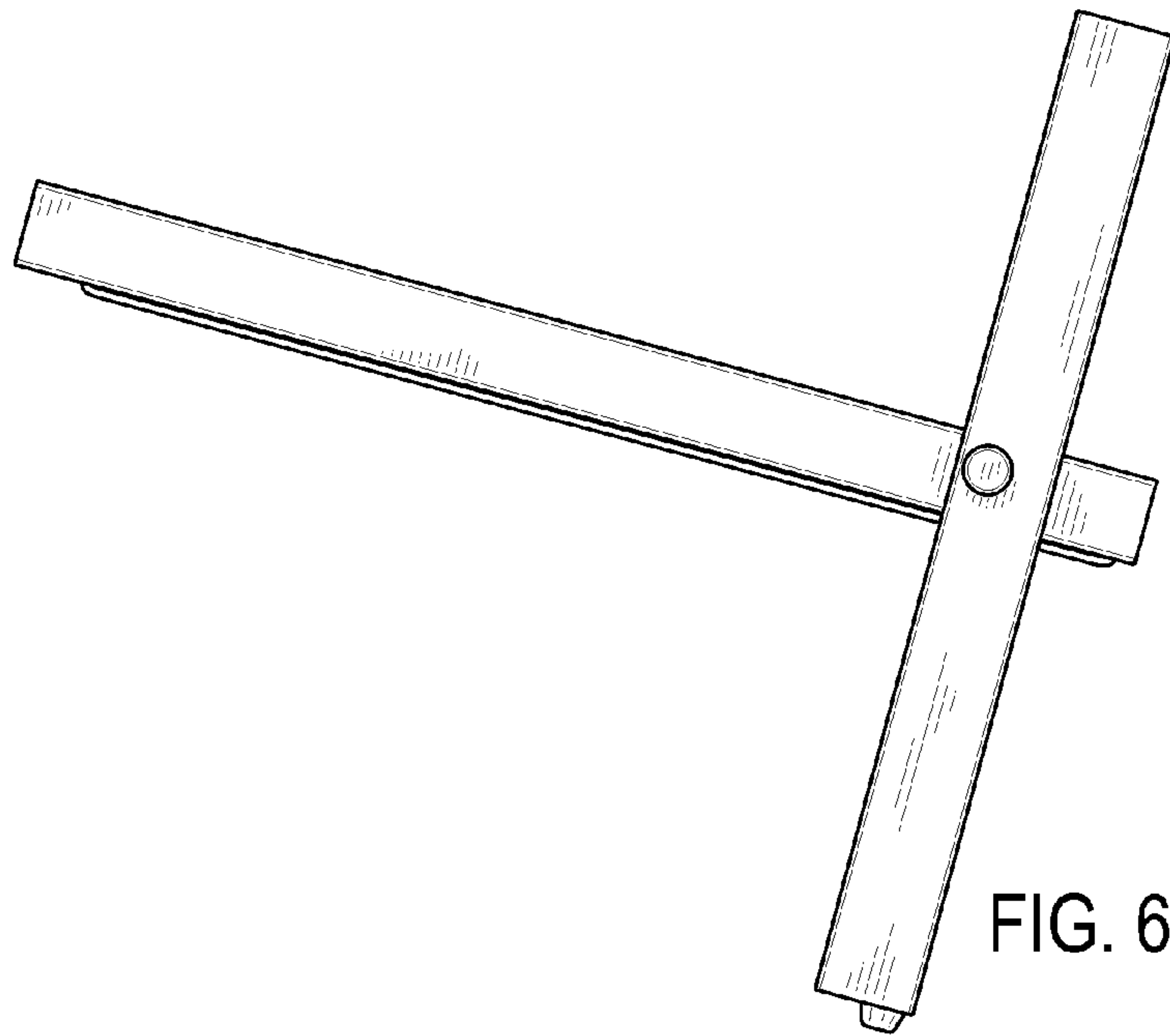


FIG. 6

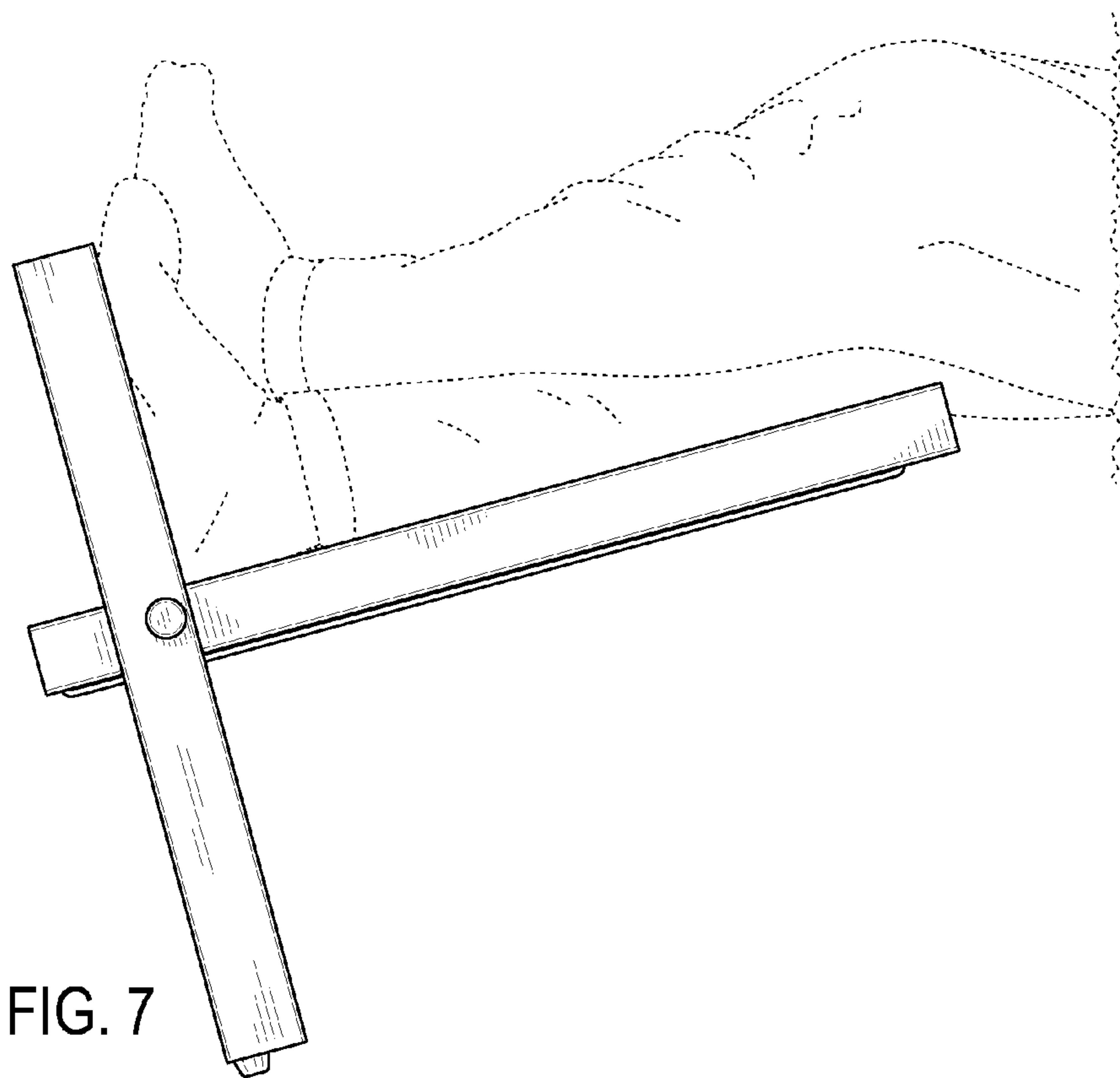


FIG. 7

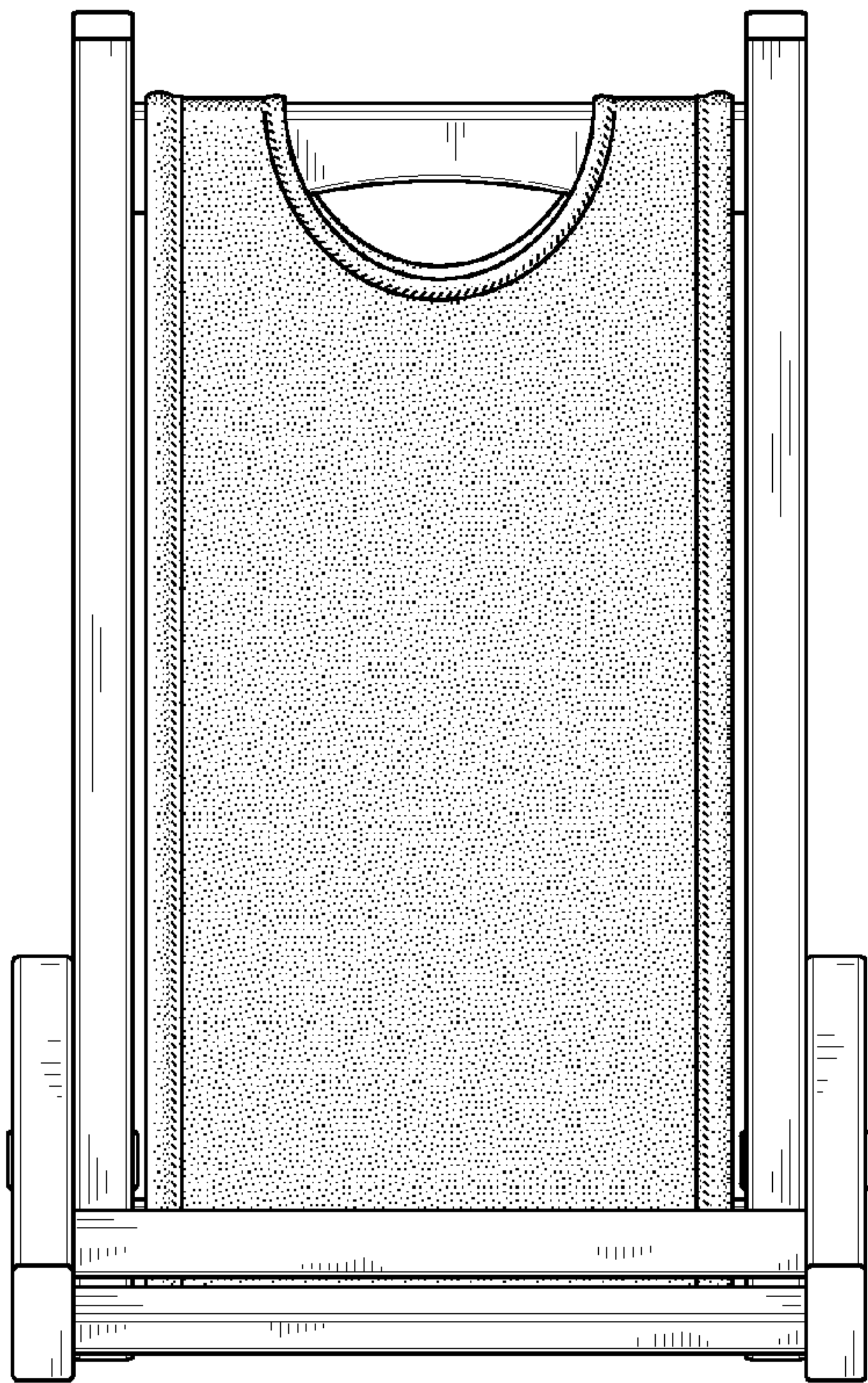


FIG. 8

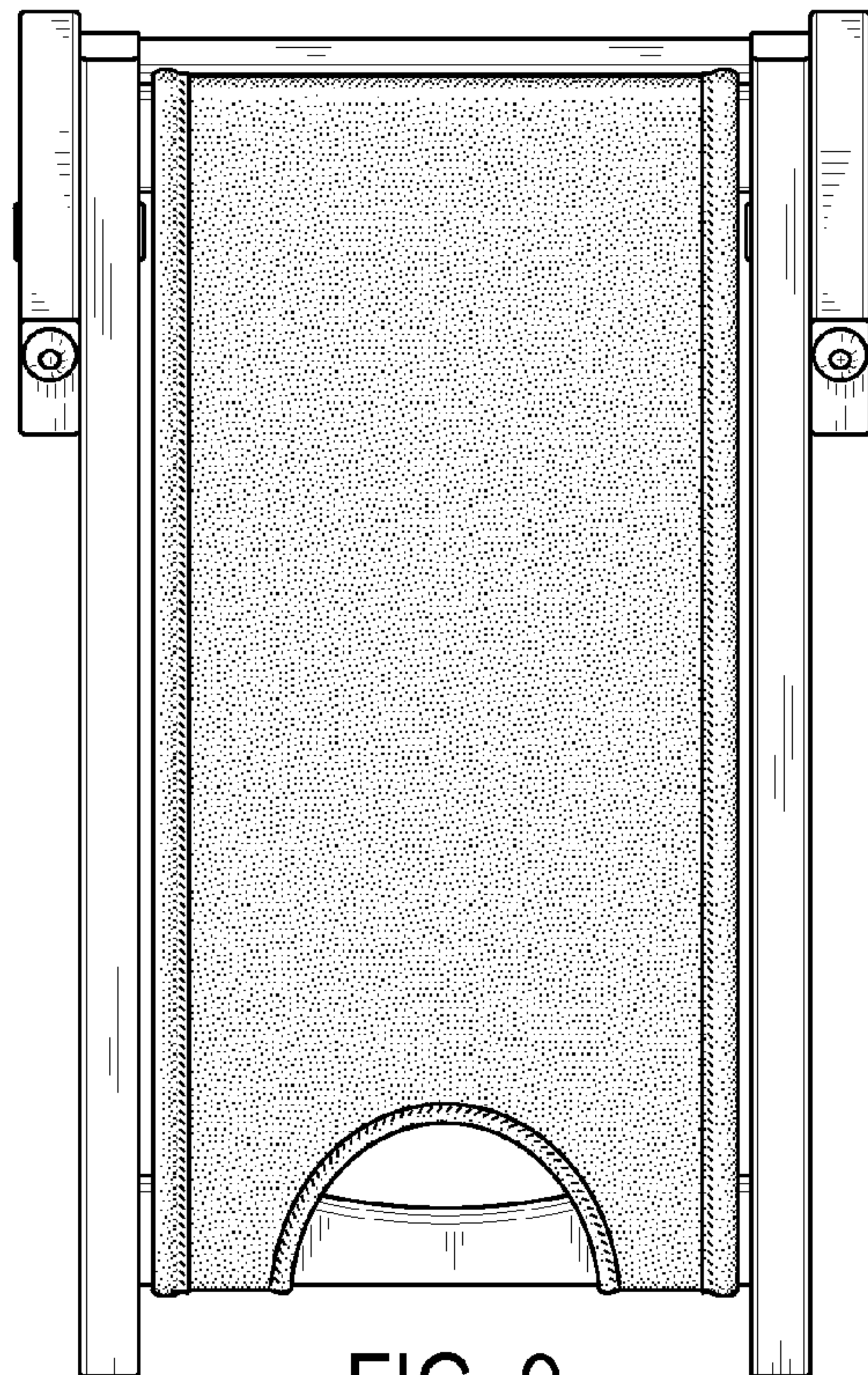


FIG. 9