



US00D553367S

(12) **United States Design Patent**
Abate et al.

(10) **Patent No.:** **US D553,367 S**
(45) **Date of Patent:** **** Oct. 23, 2007**

(54) **VALET**

(75) Inventors: **Stefanie Abate**, North Kingstown, RI (US); **Vincent J DeSanto**, Lincoln, RI (US); **Leo E LaBarre**, Woonsocket, RI (US); **Laurel Anne Stacey**, Warwick, RI (US); **Mary Woodhouse**, Cranston, RI (US)

(73) Assignee: **Kenney Manufacturing Co.**, Warwick, RI (US)

(**) Term: **14 Years**

(21) Appl. No.: **29/277,831**

(22) Filed: **Mar. 10, 2007**

(51) **LOC (8) Cl.** **06-08**

(52) **U.S. Cl.** **D6/320; D6/324**

(58) **Field of Classification Search** D6/315, D6/317, 320, 324, 327, 328; 211/13.1, 85.3; 223/85-98; D8/13, 381; 172/21, 379
See application file for complete search history.

(56) **References Cited**

U.S. PATENT DOCUMENTS

D259,087 S *	5/1981	Mainetti	D6/318
D286,584 S *	11/1986	Blanchard	D6/318
D299,889 S *	2/1989	Spitz	D6/318
D443,424 S *	6/2001	Eiley et al.	D6/328
D471,722 S *	3/2003	Williams	D6/318
D499,559 S *	12/2004	Schultz et al.	D6/318

D502,008 S *	2/2005	Schultz et al.	D6/318
D505,795 S *	6/2005	Schultz et al.	D6/318
D521,254 S *	5/2006	Biu	D6/319
D528,806 S *	9/2006	Jones	D6/318
2001/0035439 A1 *	11/2001	Mainetti et al.	223/92

* cited by examiner

Primary Examiner—Stella Reid

Assistant Examiner—Shanda C. Hill

(74) *Attorney, Agent, or Firm*—Barlow, Josephs & Holmes, Ltd.

(57) **CLAIM**

The ornamental design for a valet, as shown and described.

DESCRIPTION

FIG. 1 is a perspective view of a valet showing our new design;

FIG. 2 is a rear elevation view thereof;

FIG. 3 is a front elevation view thereof

FIG. 4 is a left side elevation view thereof, wherein the right side elevation view is a mirror image.

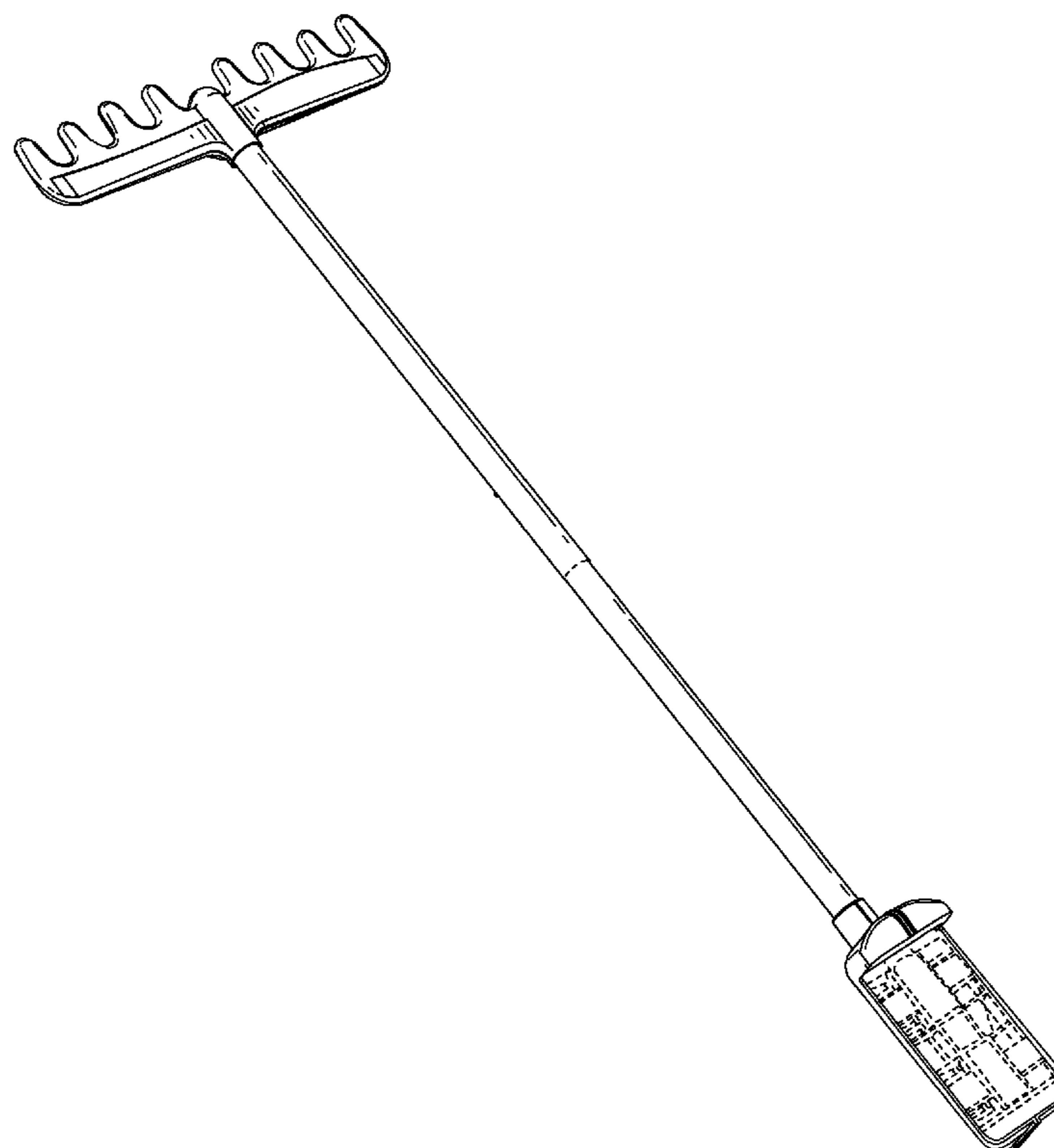
FIG. 5 is a bottom view thereof; and,

FIG. 6 is a top view thereof.

FIGS. 5 and 6 are shown on an enlarged scale.

The broken lines shown in the drawing disclosure are for illustrative purposes only and form no part of the claimed design.

1 Claim, 6 Drawing Sheets



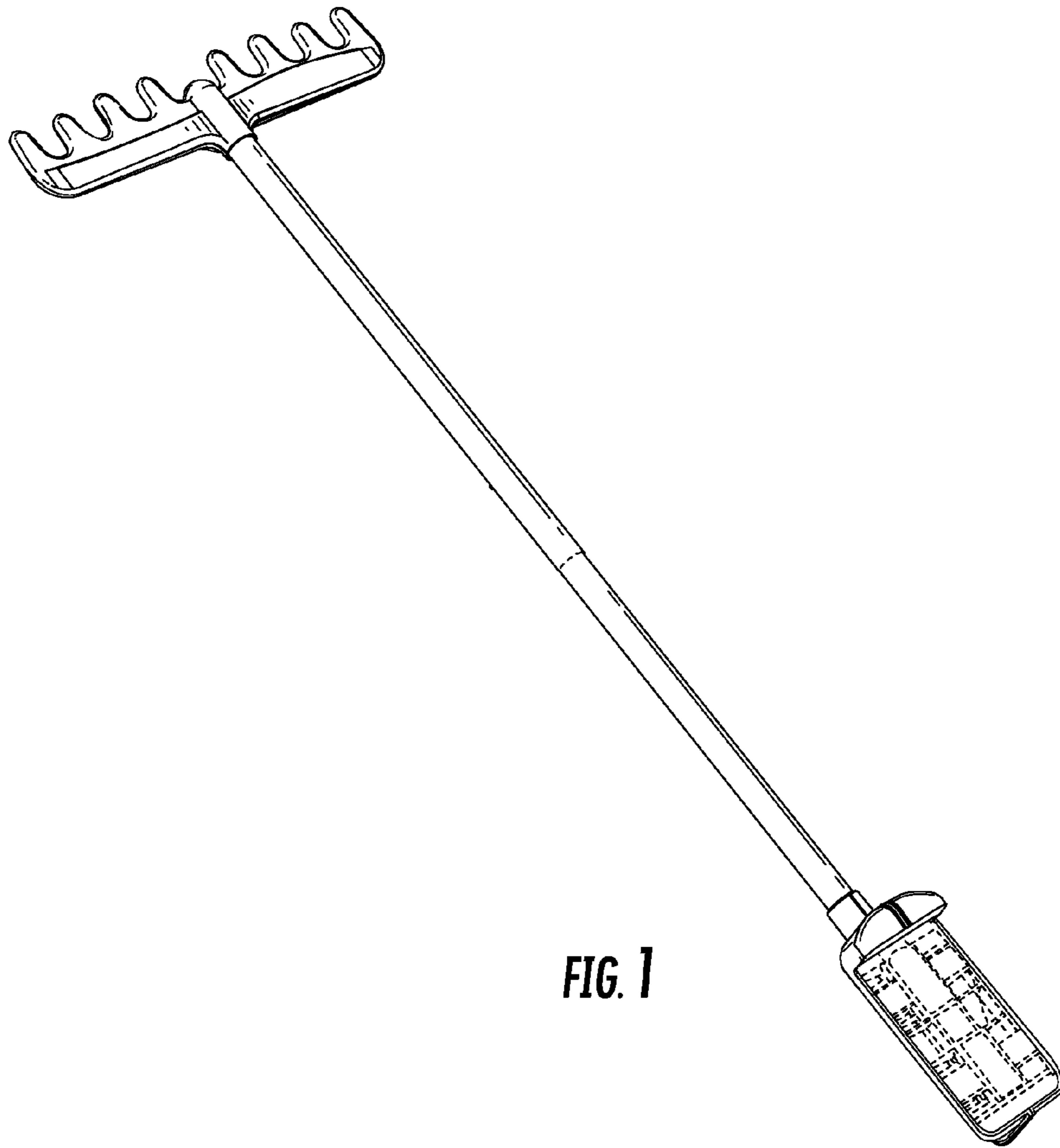


FIG. 1

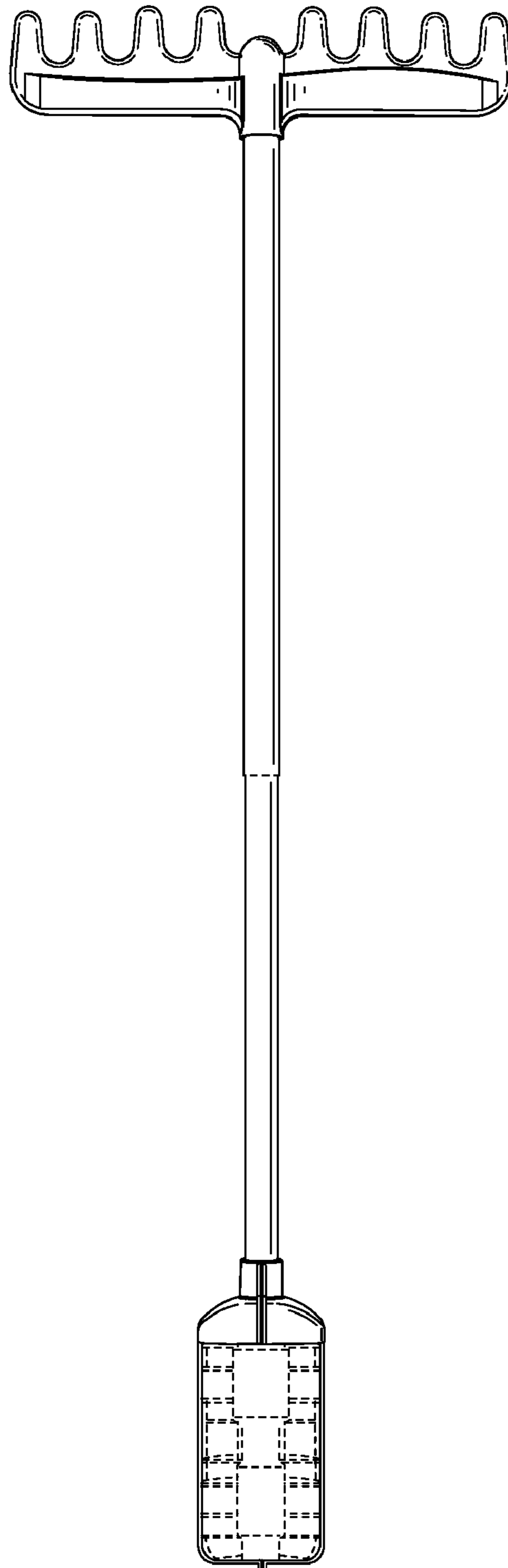


FIG. 2

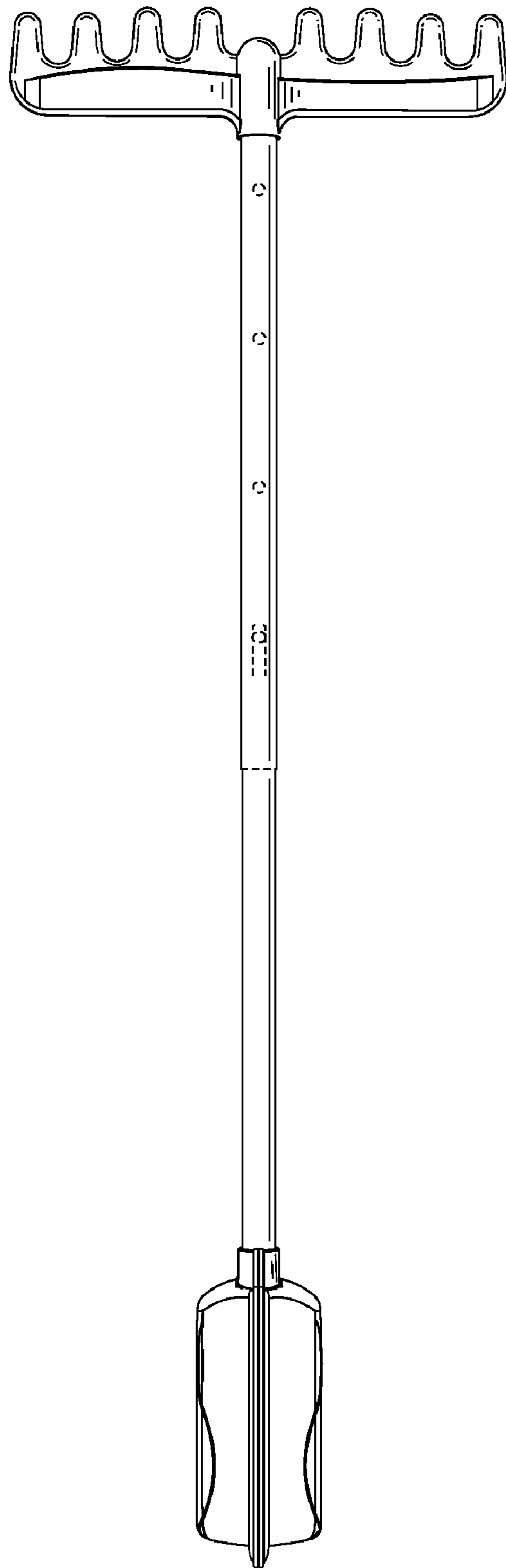


FIG. 3

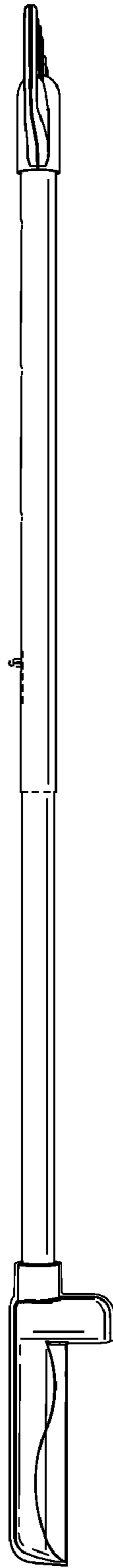


FIG. 4

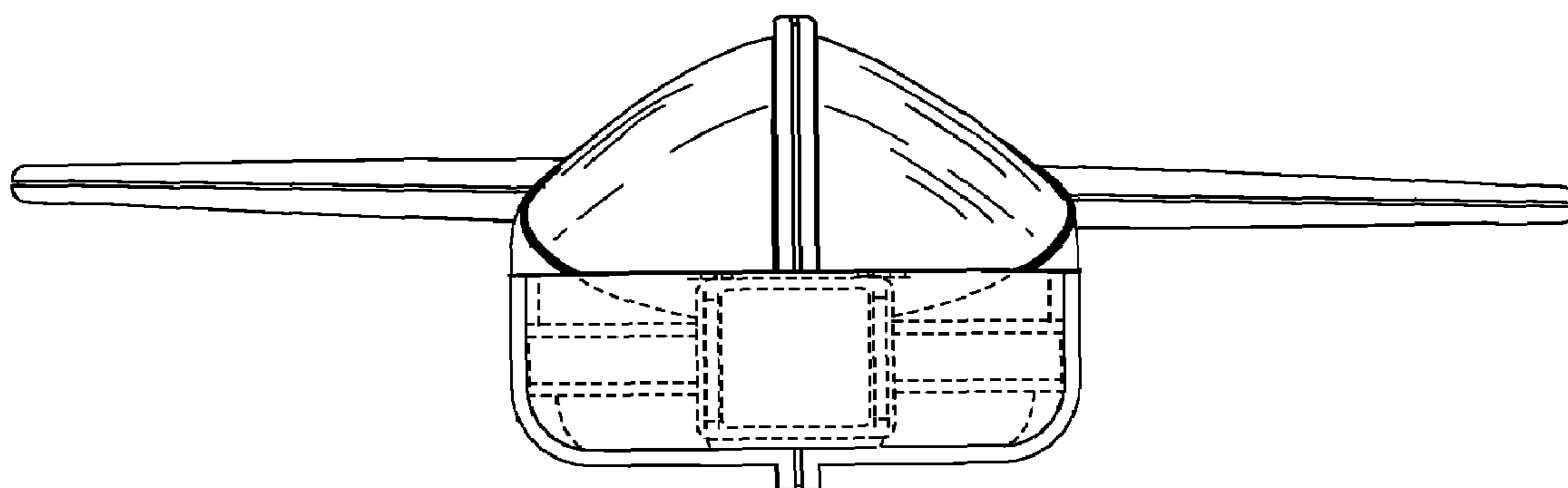


FIG. 5

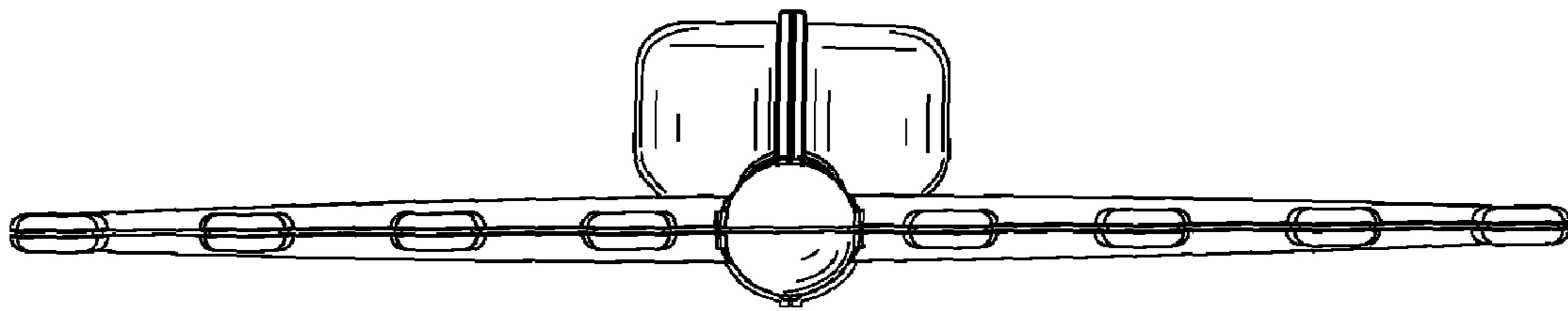


FIG. 6