



US00D553366S

(12) **United States Design Patent**
Stengel et al.

(10) **Patent No.:** **US D553,366 S**

(45) **Date of Patent:** **** Oct. 23, 2007**

(54) **LEGS FOR AN EASEL**

(76) Inventors: **Michael John Stengel**, 14368 Cedar Springs Dr., Town and Country, MO (US) 63017; **Trung Q. Do**, 10976 Whitbyhall Dr., Bridgeton, MO (US) 63044

(**) **Term:** **14 Years**

(21) **Appl. No.:** **29/250,594**

(22) **Filed:** **Nov. 22, 2006**

(51) **LOC (8) Cl.** **06-07**

(52) **U.S. Cl.** **D6/312**

(58) **Field of Classification Search** D6/300-304,
D6/308-319; D20/10, 40; 40/700, 745,
40/765, 780, 790, 798; 248/441.1, 455, 445,
248/448, 454, 460, 462, 463, 464, 465, 188.5,
248/163.1, 451

See application file for complete search history.

(56) **References Cited**

U.S. PATENT DOCUMENTS

1,896,086	A *	2/1933	Howell	248/188.5
2,744,712	A *	5/1956	Brandt	248/451
4,017,049	A *	4/1977	Albee, Jr.	248/464
D251,820	S *	5/1979	Stark	D6/312
4,171,116	A *	10/1979	Carver et al.	248/464
4,326,687	A *	4/1982	Clyburn	248/168
D272,788	S *	2/1984	Churley	D6/311
D282,320	S *	1/1986	Anderson	D6/300
D291,153	S *	8/1987	Nakatani	D6/312
D292,045	S *	9/1987	McDowell	D6/311
4,826,125	A *	5/1989	Kelley	248/463
5,125,613	A *	6/1992	Albee et al.	248/464
5,518,217	A *	5/1996	Deutsch et al.	248/463

D424,308	S *	5/2000	Hutten	D6/312
6,179,266	B1 *	1/2001	Hutten	248/465
2005/0258317	A1 *	11/2005	Weder	248/163.1

* cited by examiner

Primary Examiner—Caron D. Veynar

Assistant Examiner—Sydney R. Buffalow

(57) **CLAIM**

The ornamental design for legs for an easel, as shown and described.

DESCRIPTION

FIG. 1 is a front/side perspective of legs for an easel showing my new design;

FIG. 2 is a top plan view of FIG. 1;

FIG. 3 is a side elevation view of FIG. 1, the opposite side being a mirror image thereof;

FIG. 4 is a front elevation view of FIG. 1;

FIG. 5 is a rear elevation view of FIG. 1;

FIG. 6 is a bottom plan view of FIG. 1;

FIG. 7 is a rear perspective of FIG. 1;

FIG. 8 is a front/side perspective of a second embodiment of legs for an easel;

FIG. 9 is a top plan view of FIG. 8;

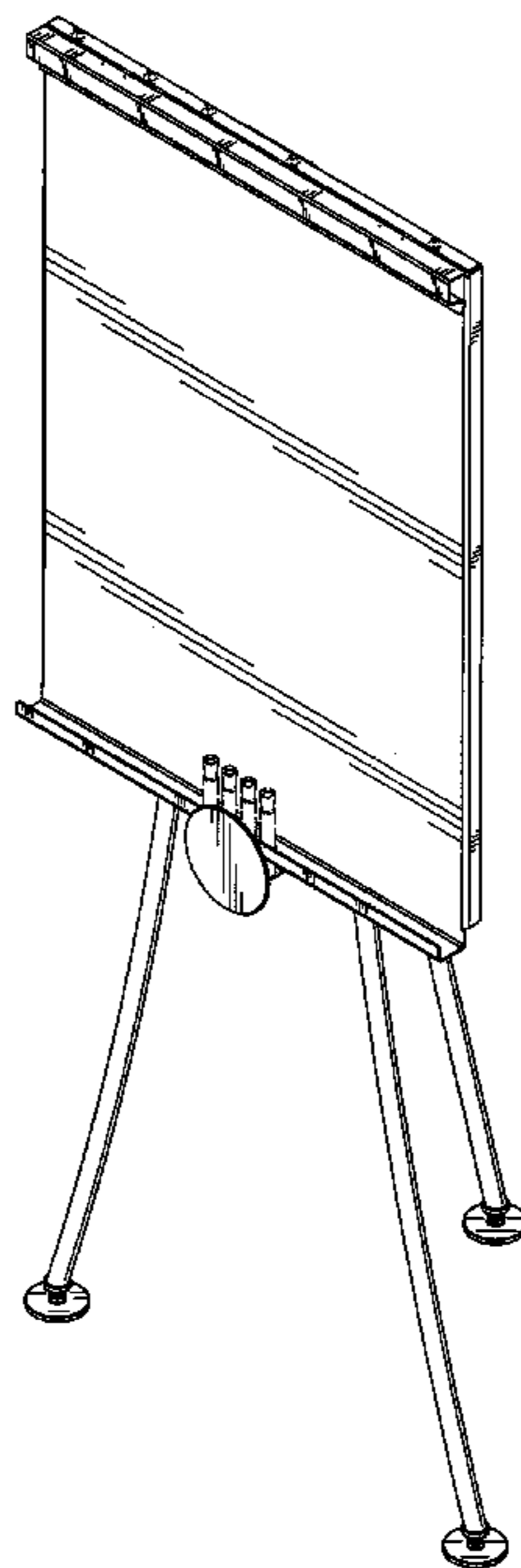
FIG. 10 is a side view of FIG. 8, the opposite side being a mirror image thereof;

FIG. 11 is a front elevation view of FIG. 8;

FIG. 12 is a rear elevation view of FIG. 8; and,

FIG. 13 is a bottom plan view of FIG. 8.

1 Claim, 13 Drawing Sheets



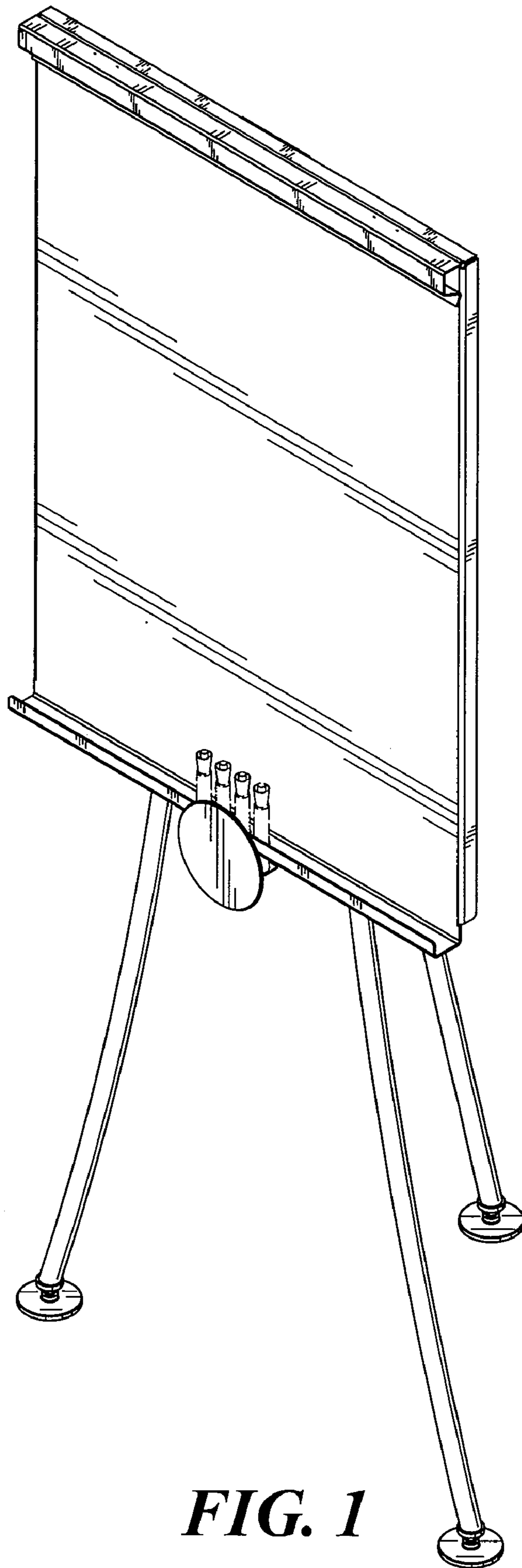


FIG. 1

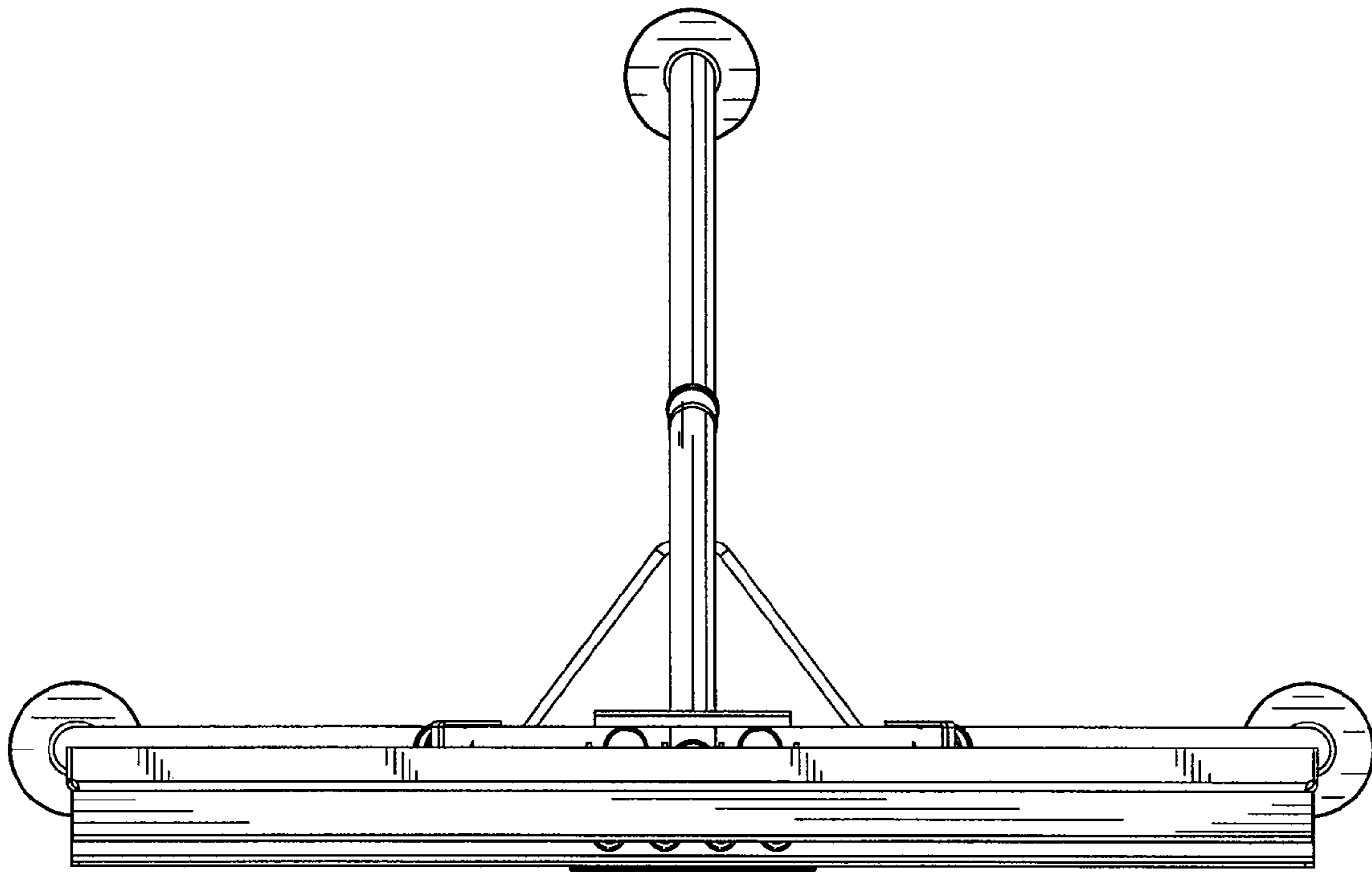


FIG. 2

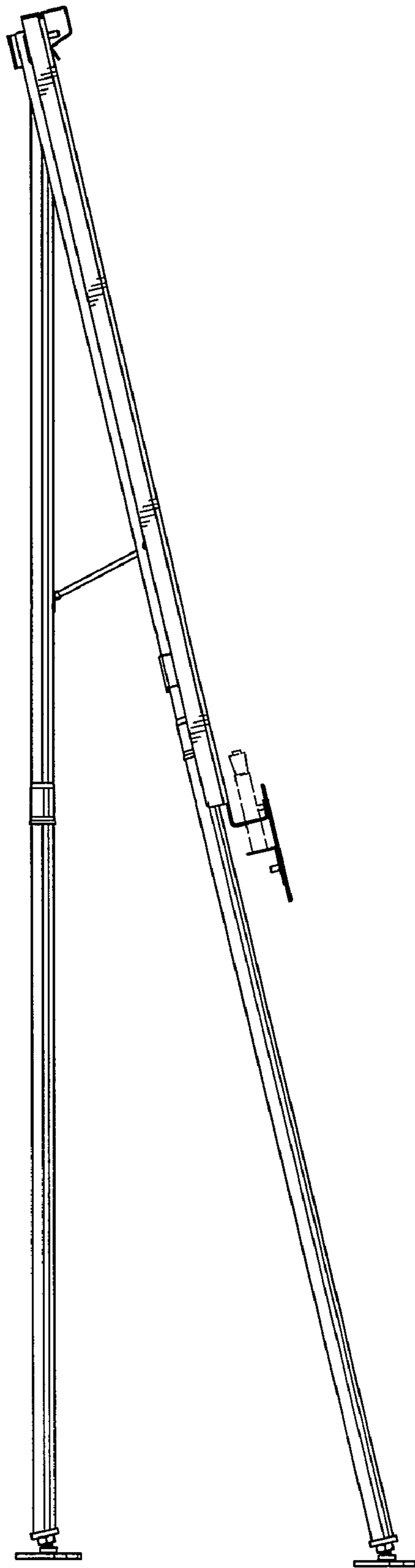


FIG. 3

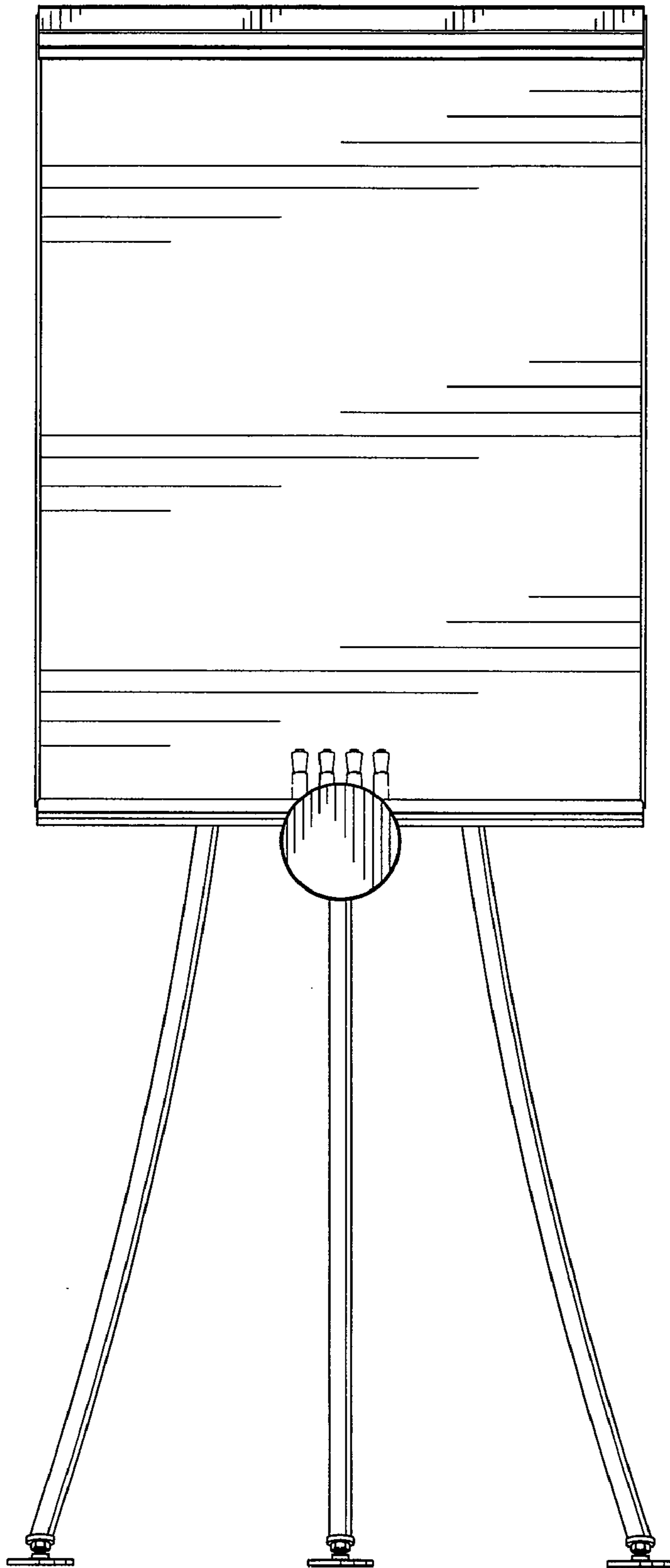


FIG. 4

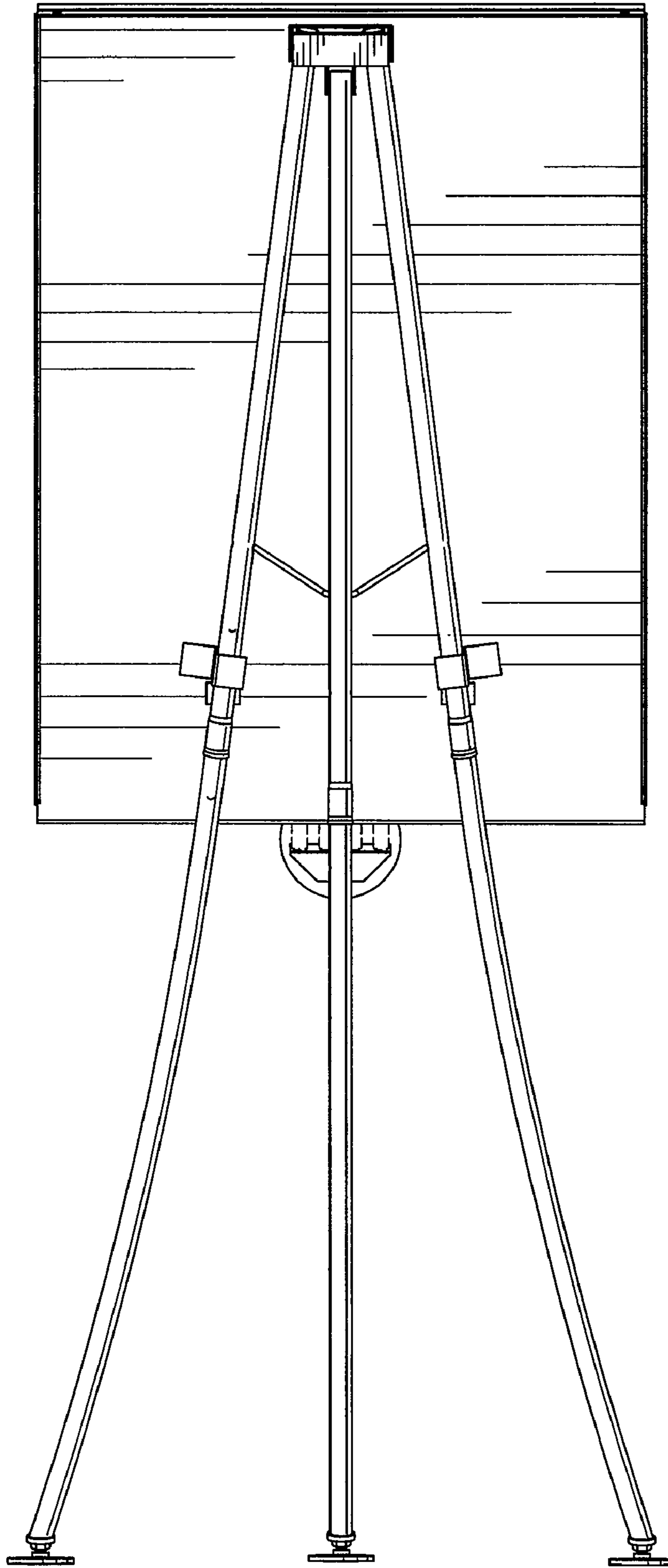


FIG. 5

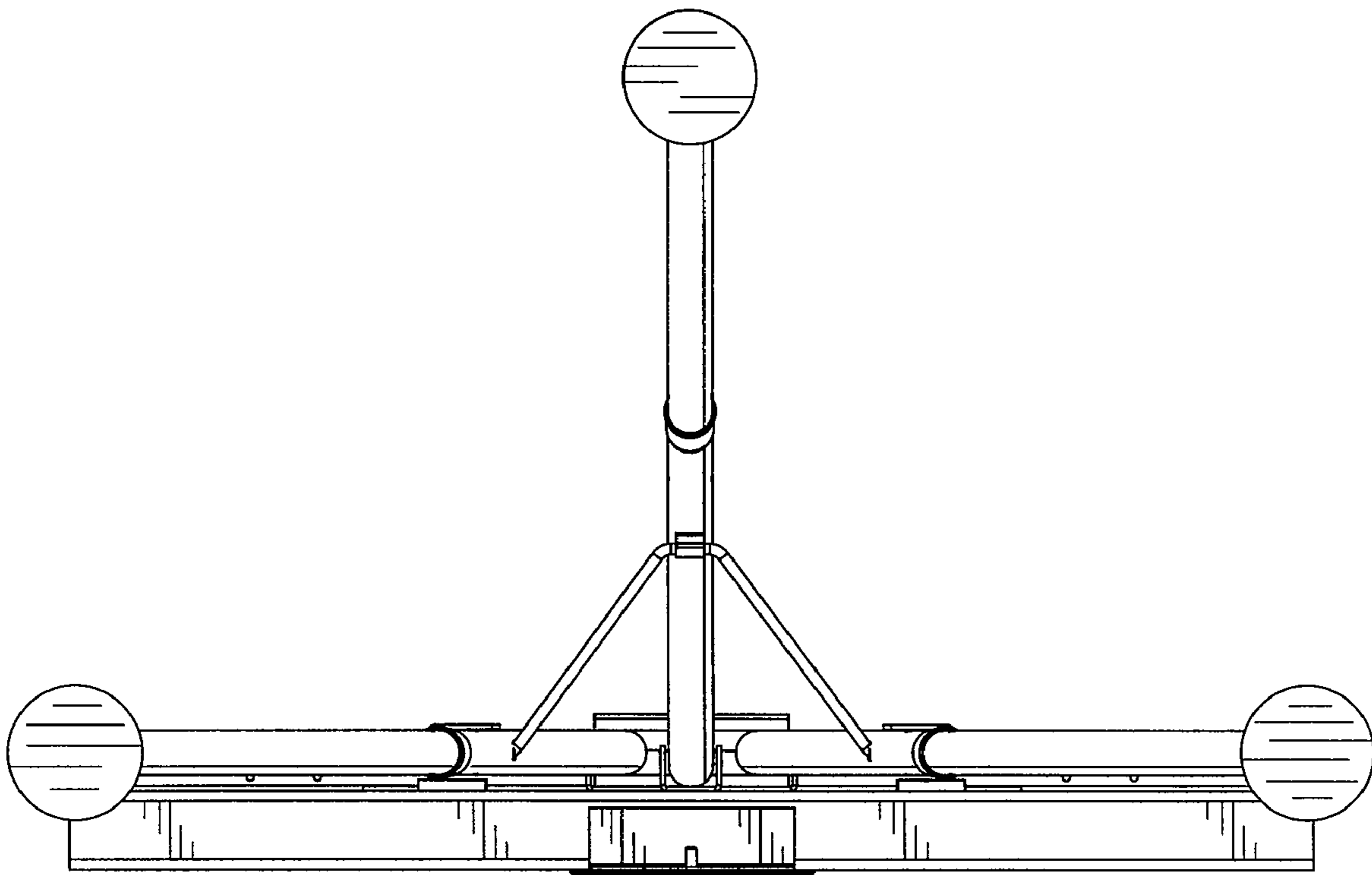


FIG. 6

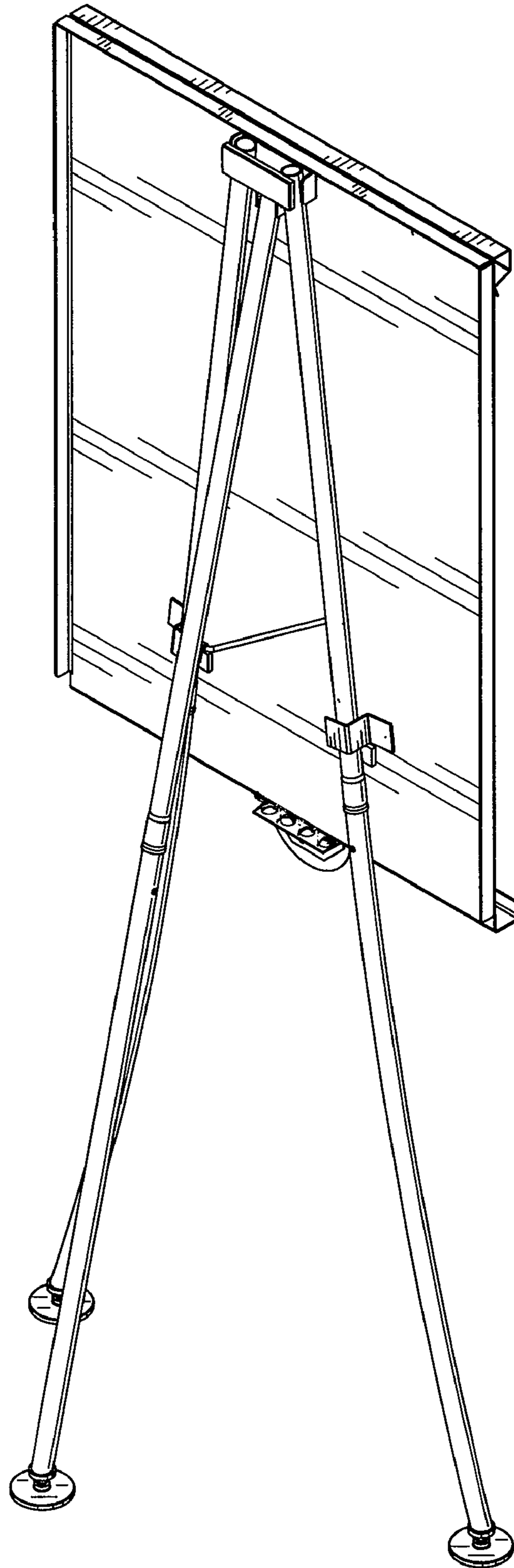


FIG. 7

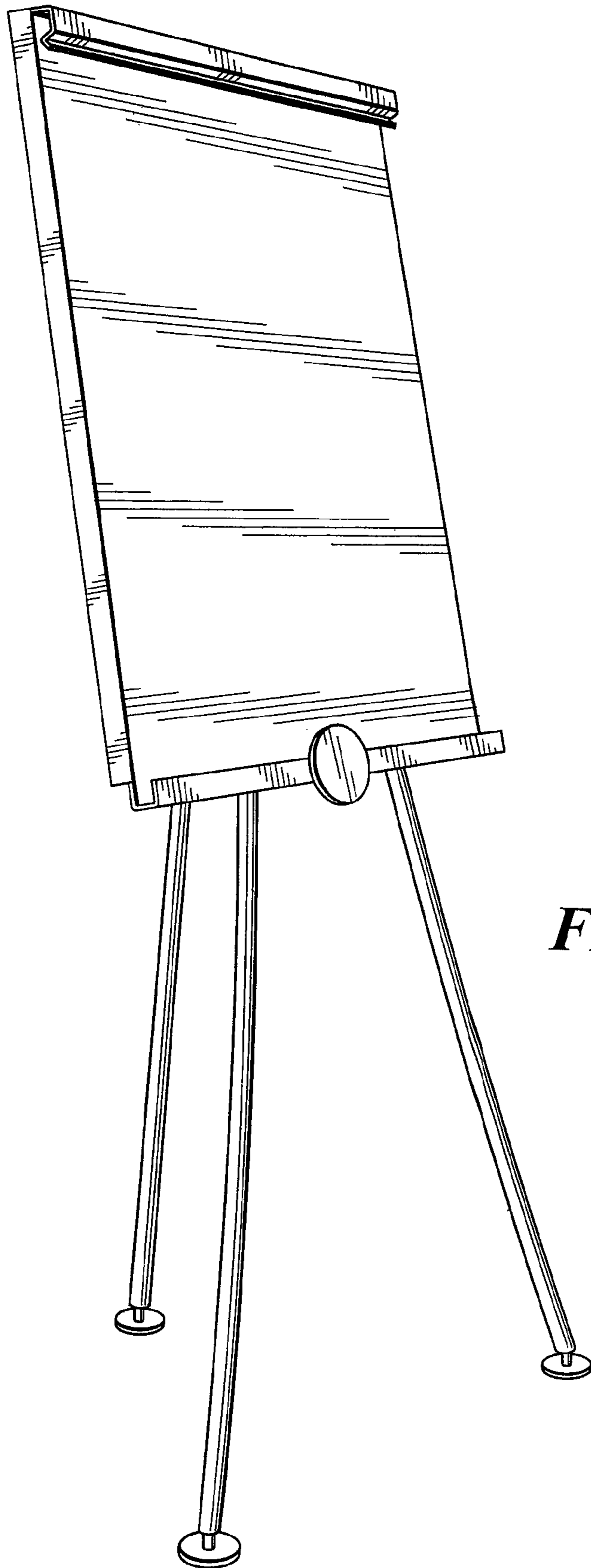


FIG. 8

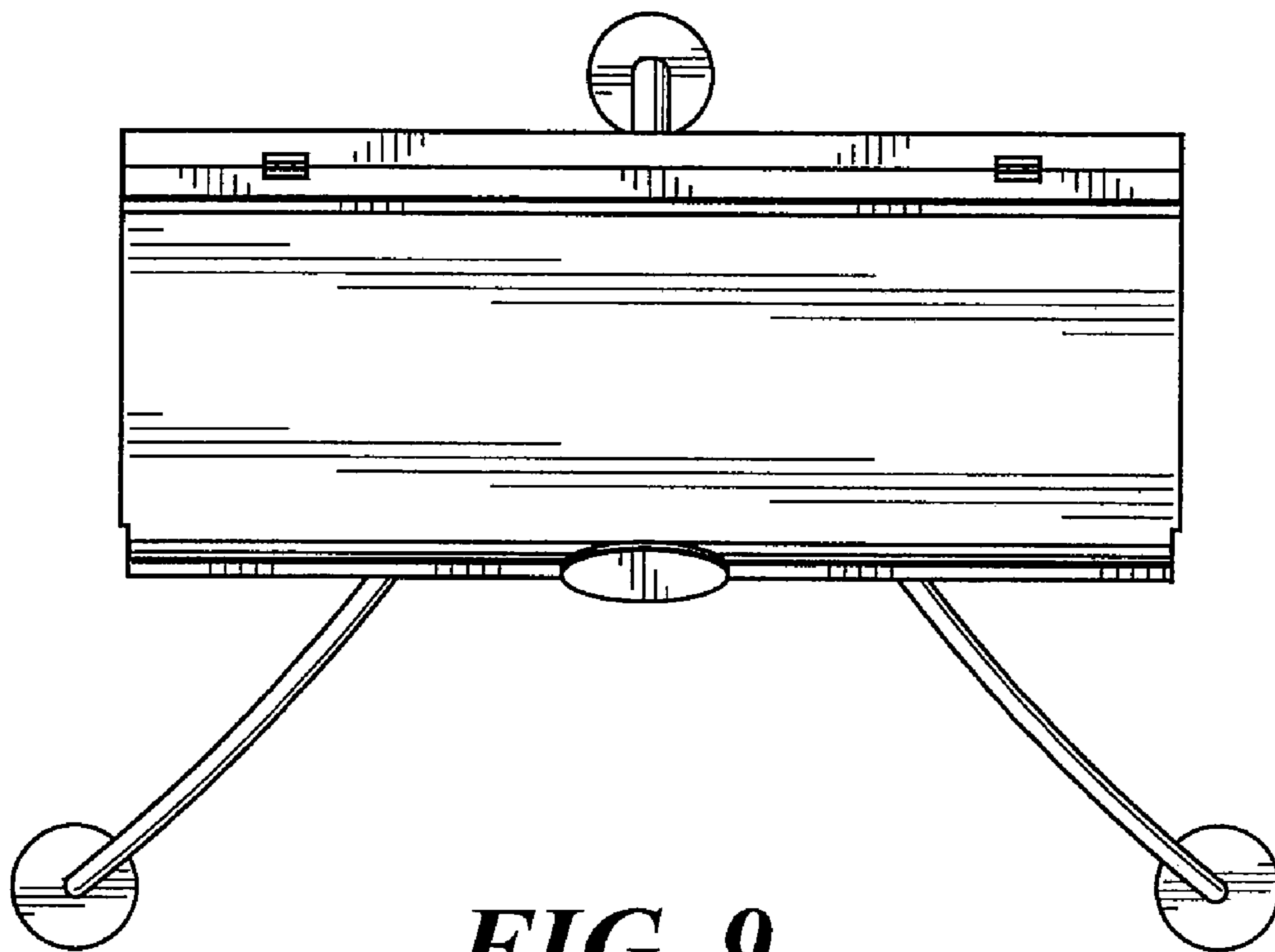


FIG. 9

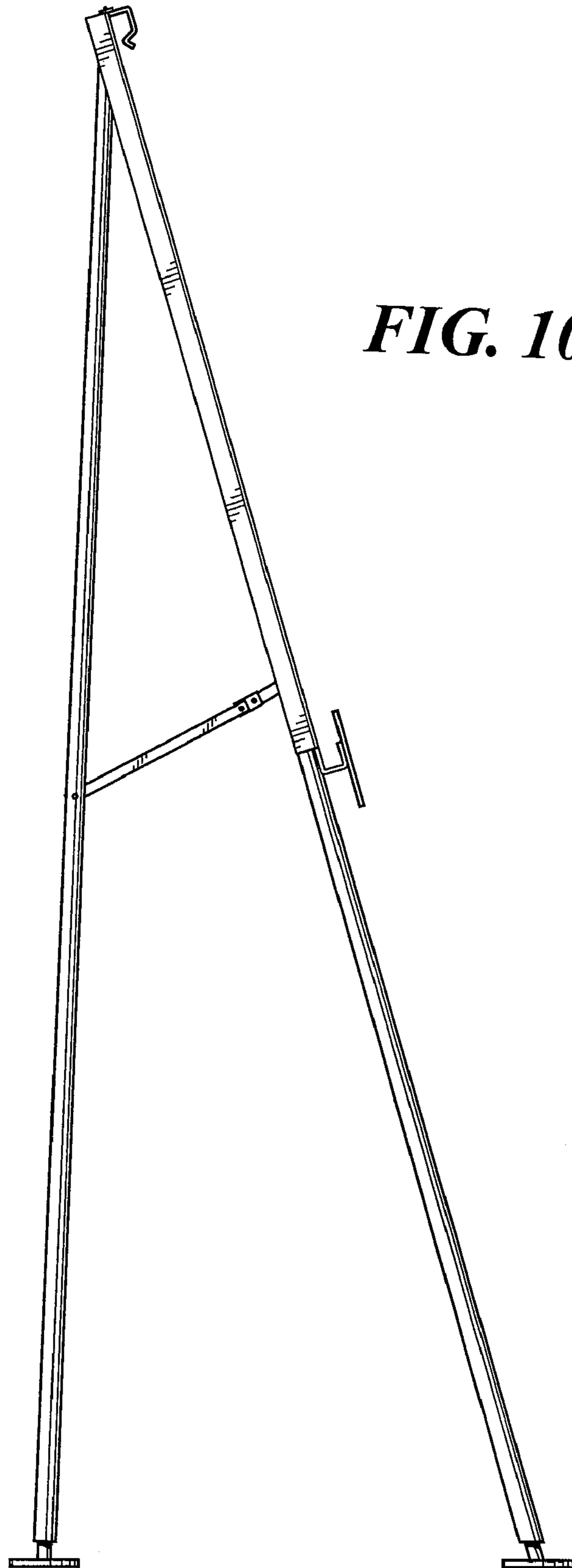


FIG. 10

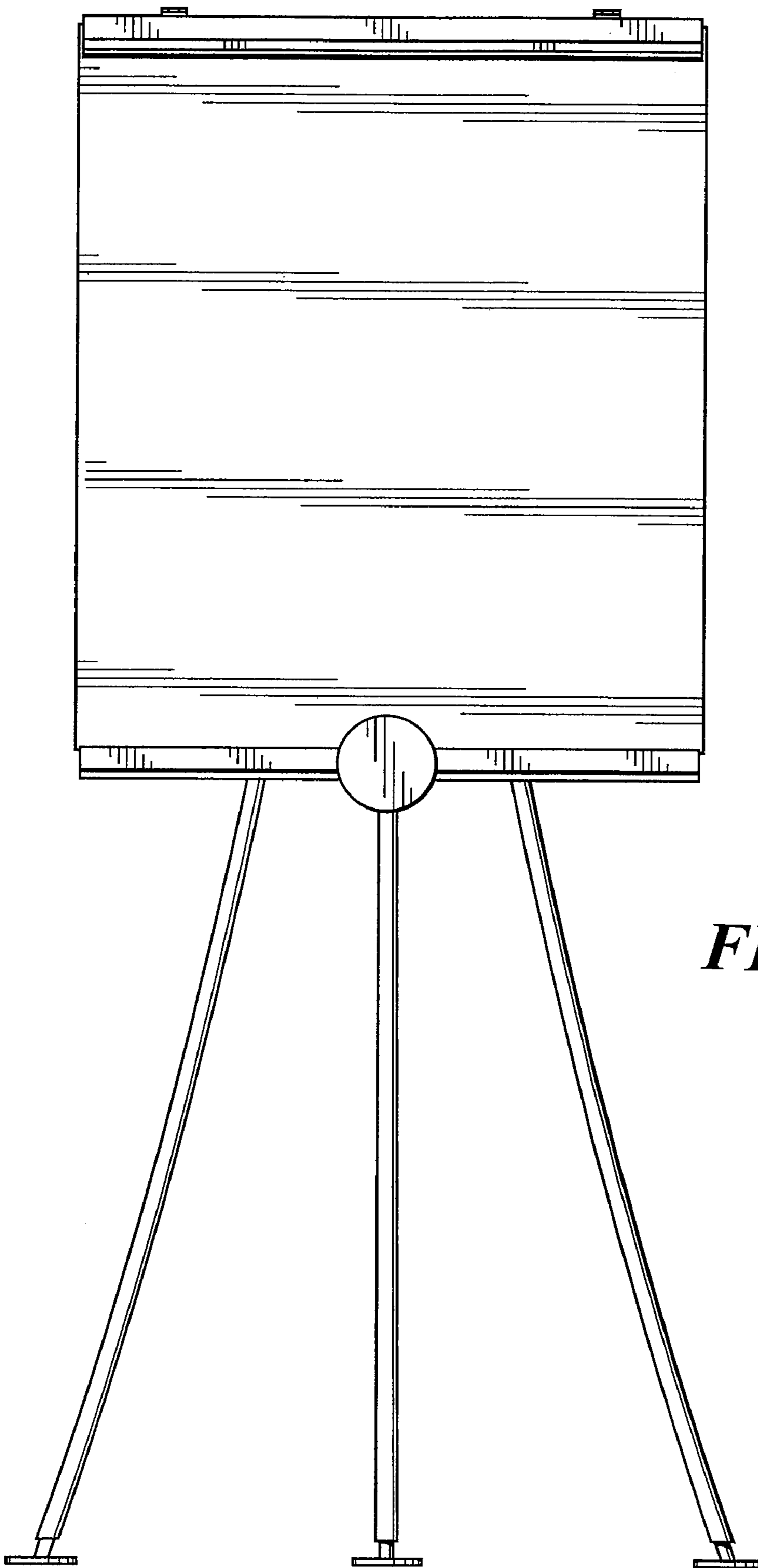


FIG. 11

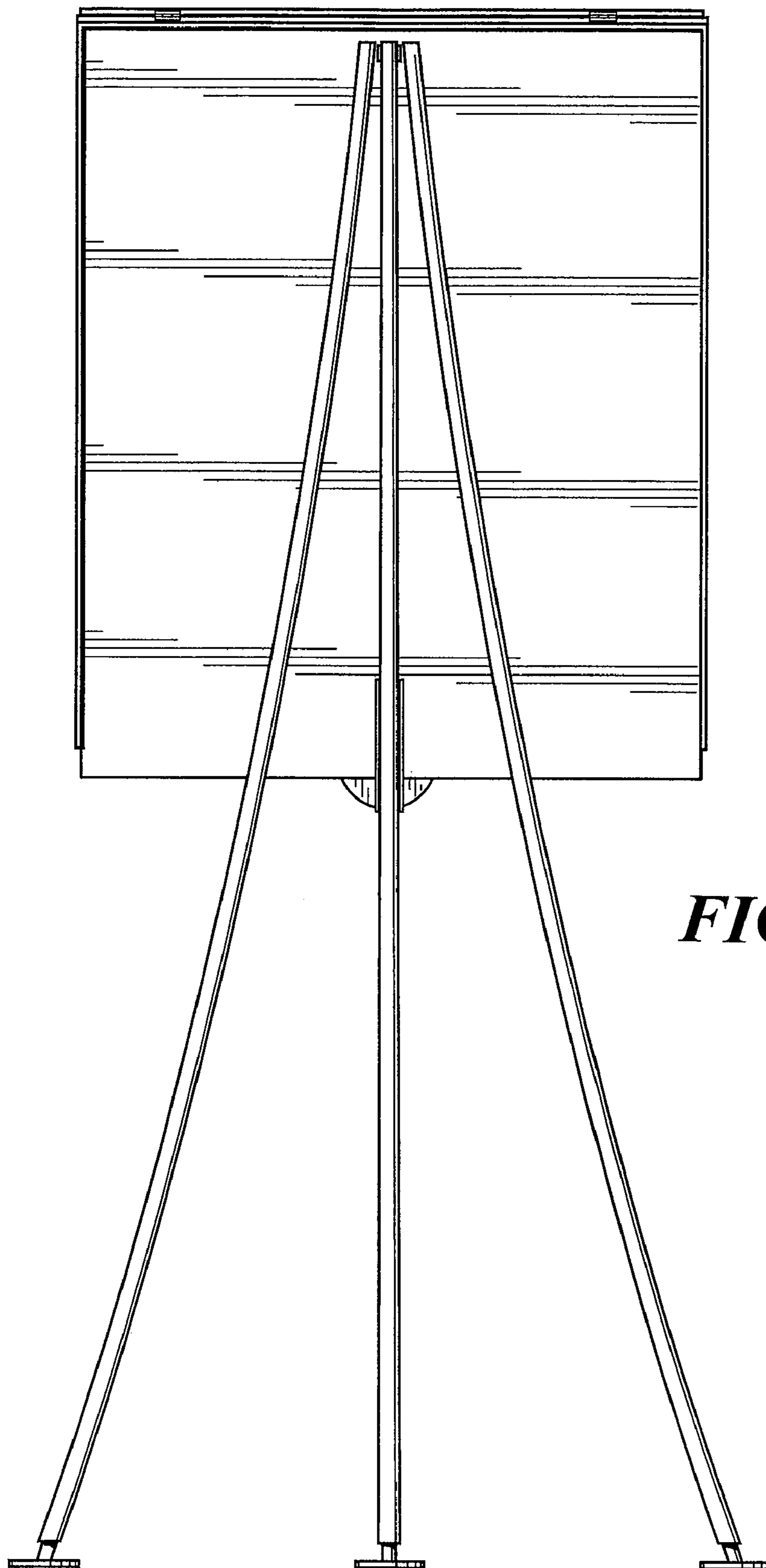


FIG. 12

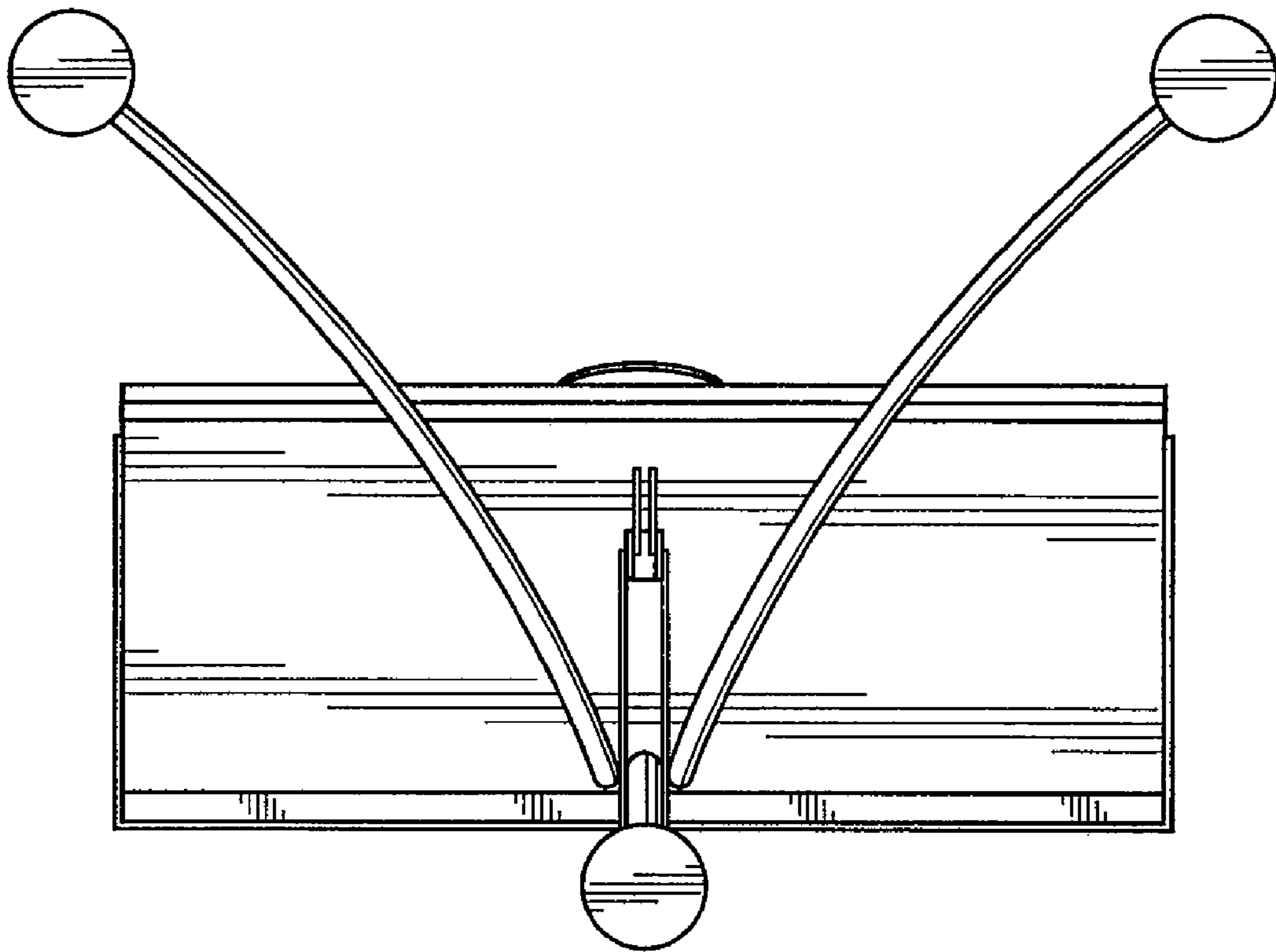


FIG. 13

UNITED STATES PATENT AND TRADEMARK OFFICE
CERTIFICATE OF CORRECTION

PATENT NO. : Des. 553,366 S
APPLICATION NO. : 29/250594
DATED : October 23, 2007
INVENTOR(S) : Michael John Stengel and Trung Q. Do

Page 1 of 1

It is certified that error appears in the above-identified patent and that said Letters Patent is hereby corrected as shown below:

On the title page
Title item [54] should be corrected to read: EASEL

Signed and Sealed this

Fourth Day of December, 2007

A handwritten signature in black ink on a light gray dotted background. The signature reads "Jon W. Dudas" in a cursive style.

JON W. DUDAS

Director of the United States Patent and Trademark Office