

US00D553363S

(12) **United States Design Patent**
Chen

(10) **Patent No.:** **US D553,363 S**

(45) **Date of Patent:** **** Oct. 23, 2007**

(54) **HANDLE FOR SUITCASE**

(75) Inventor: **Kuo-En Chen**, Changhua (TW)

(73) Assignee: **Solite International Co., Ltd.**,
Changhua (TW)

(**) Term: **14 Years**

(21) Appl. No.: **29/248,798**

(22) Filed: **Sep. 5, 2006**

(51) **LOC (8) Cl.** **03-01**

(52) **U.S. Cl.** **D3/318**

(58) **Field of Classification Search** D3/276,
D3/279, 282, 291, 328, 216, 217, 318; 190/18 A,
190/39, 115; D8/300-302, 316-317, 319-320,
D8/321-322, 273; 16/110.1, 113.1, 114.1,
16/405-406, 408, 421-422

See application file for complete search history.

(56) **References Cited**

U.S. PATENT DOCUMENTS

- D239,158 S * 3/1976 Bush D8/306
- D432,895 S * 10/2000 Lu D8/316
- D471,715 S * 3/2003 Wu D3/318
- D472,051 S * 3/2003 Van Himbeeck et al. D3/318

- 6,550,102 B1 * 4/2003 Liang 16/113.1
- D485,988 S * 2/2004 Moon D3/318
- D504,773 S * 5/2005 Lu D3/318

* cited by examiner

Primary Examiner—Louis S. Zarfes

Assistant Examiner—Kathleen M. Sims

(74) *Attorney, Agent, or Firm*—Alan Kamrath; Kamrath &
Associates PA

(57) **CLAIM**

The ornamental design for handle for suitcase, as shown and described.

DESCRIPTION

FIG. 1 is a perspective view of a handle for suitcase showing my new design;

FIG. 2 is a front view thereof;

FIG. 3 is a rear view thereof;

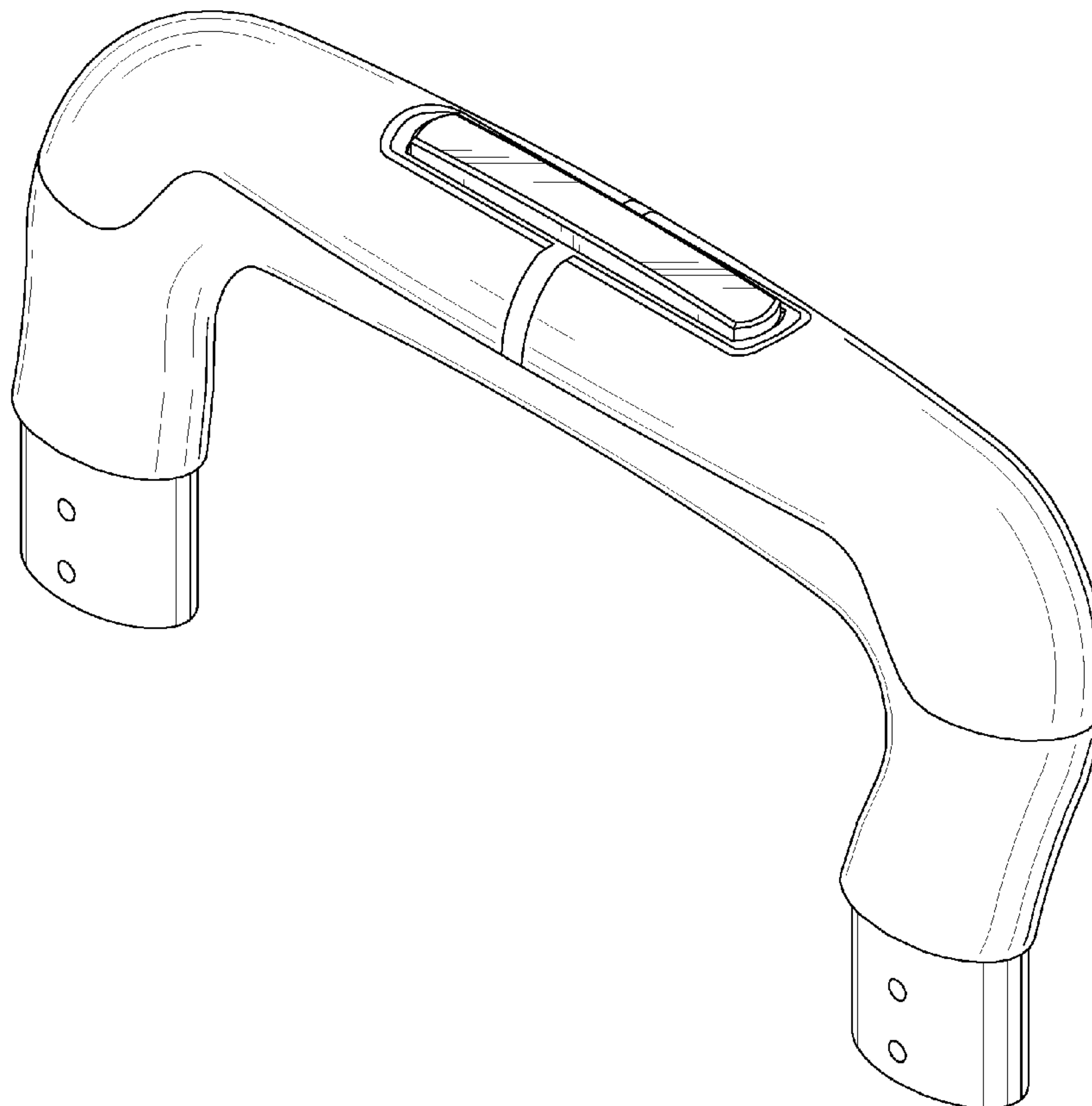
FIG. 4 is a left view thereof;

FIG. 5 is a right view thereof;

FIG. 6 is a top view thereof; and,

FIG. 7 is a bottom view thereof.

1 Claim, 5 Drawing Sheets



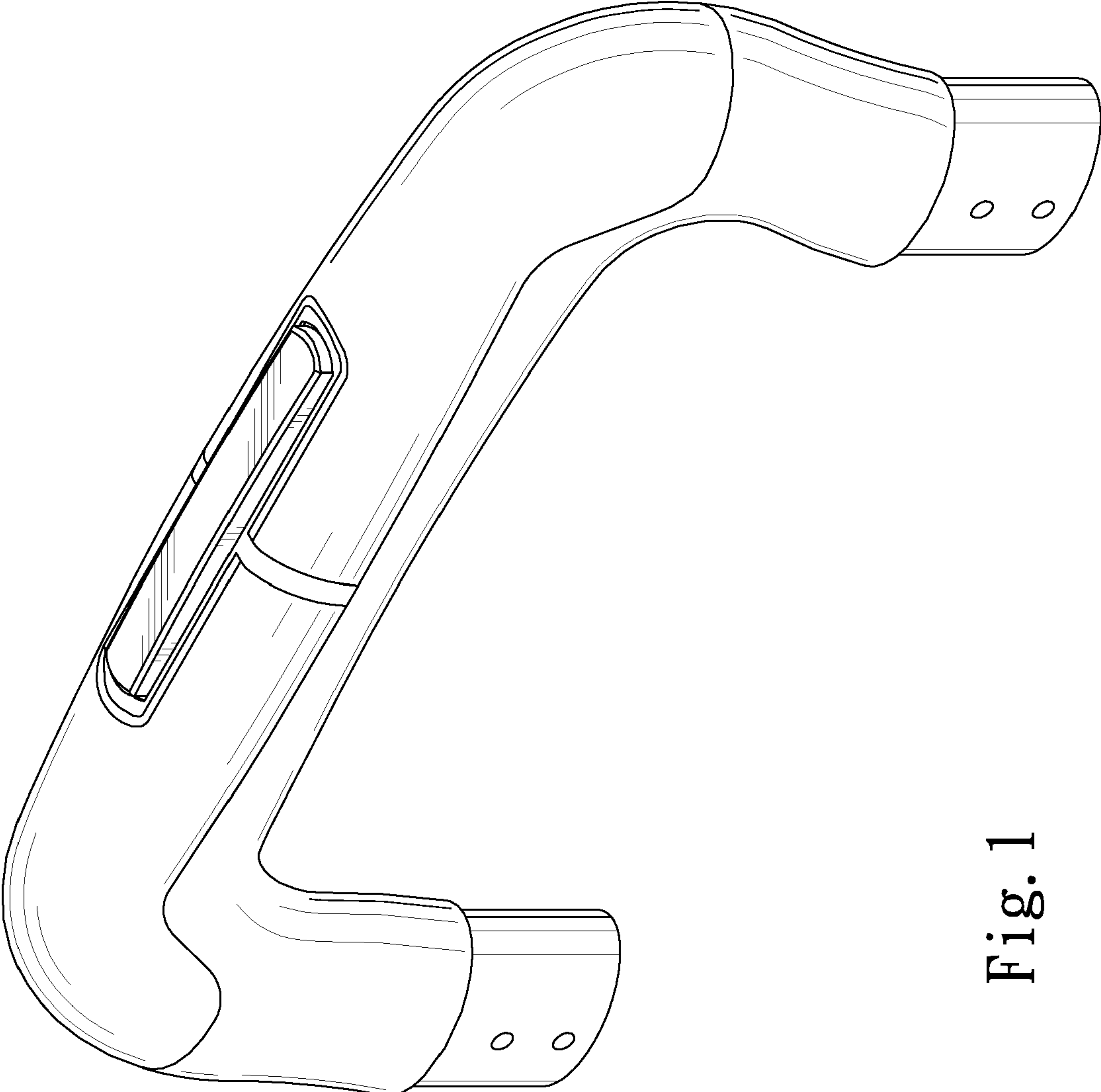


Fig. 1

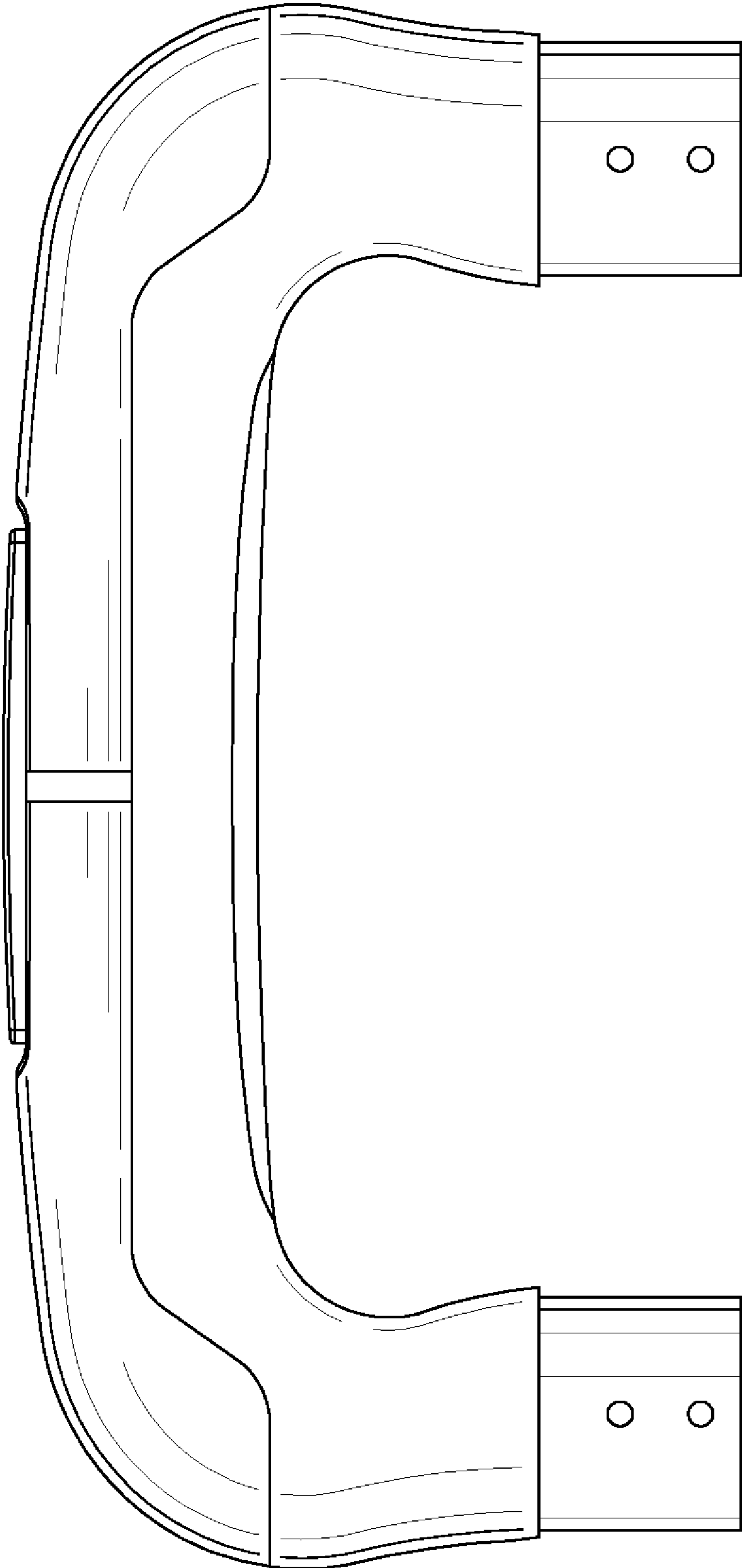


Fig. 2

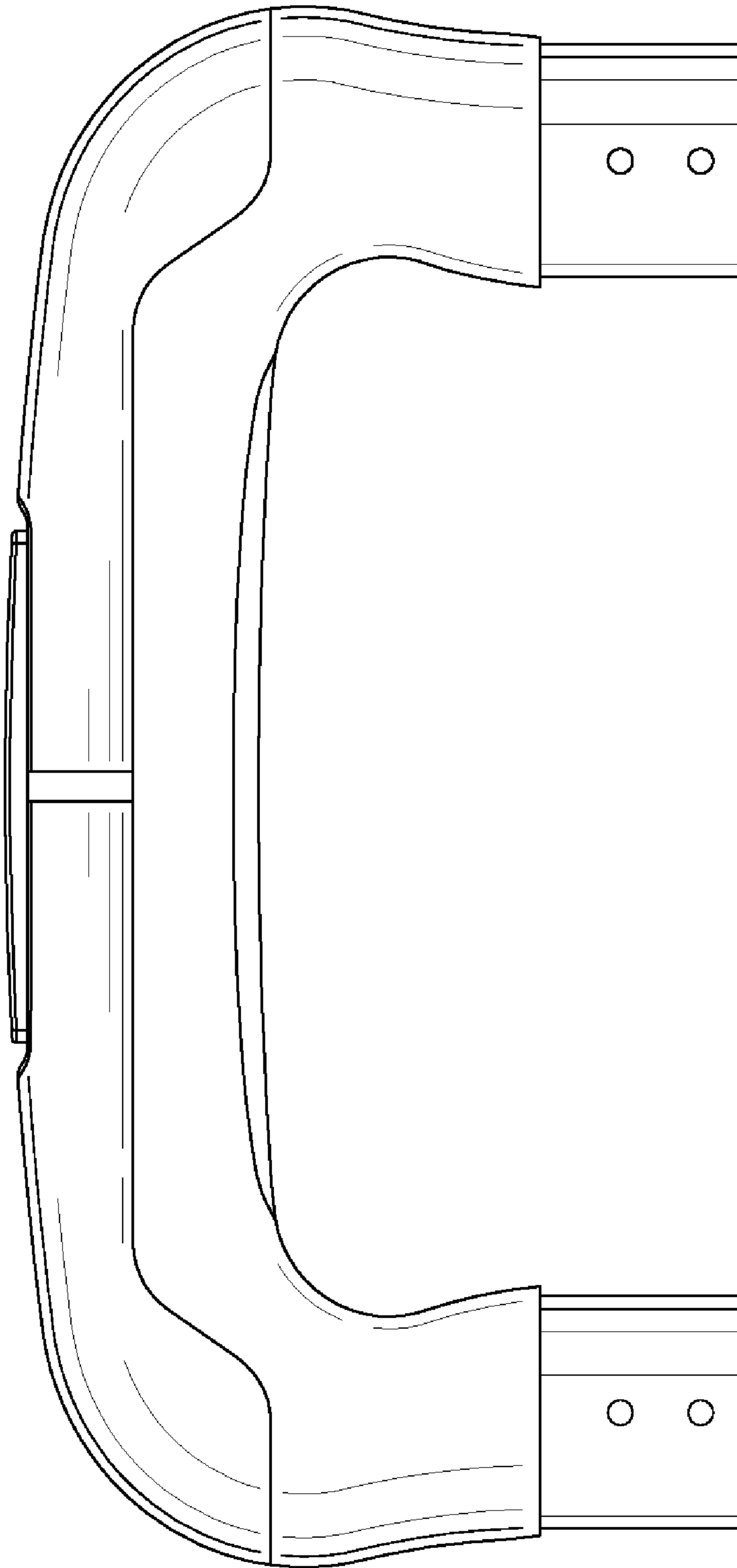


Fig. 3

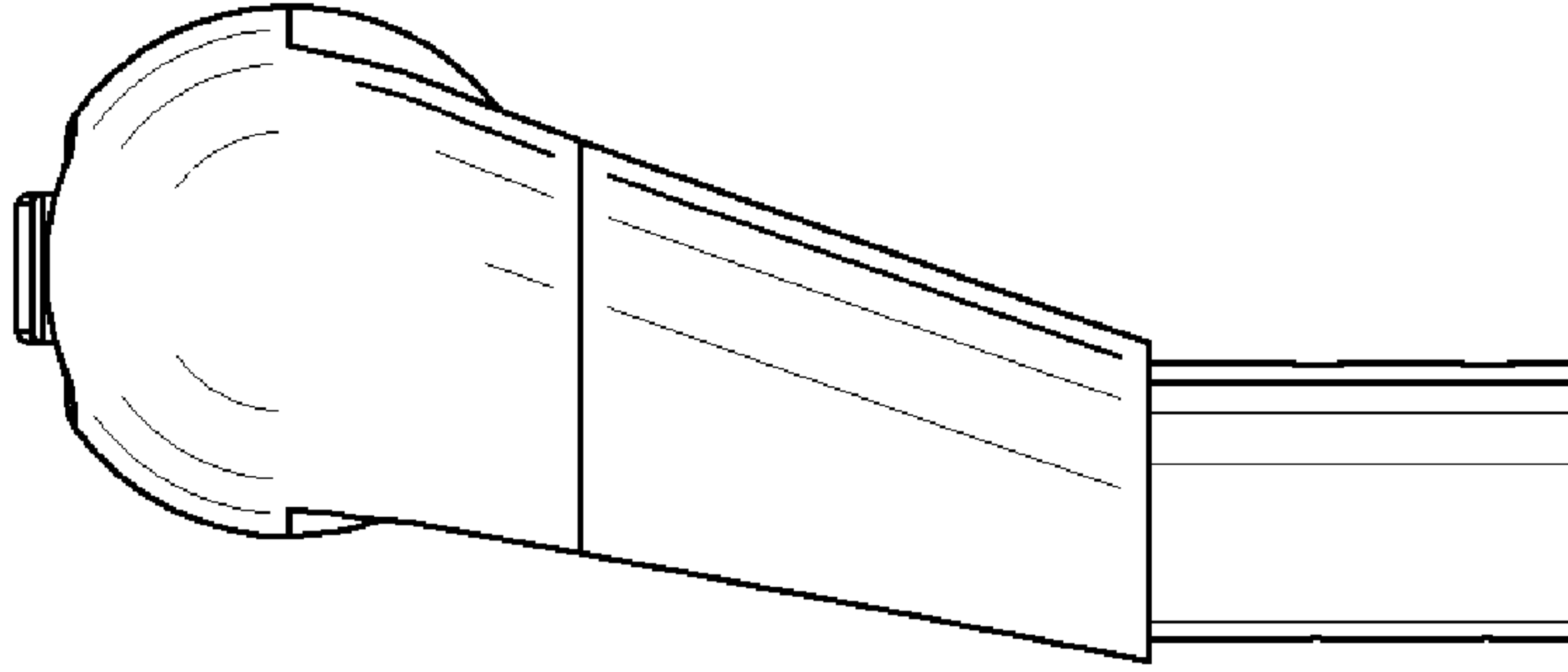


Fig. 5

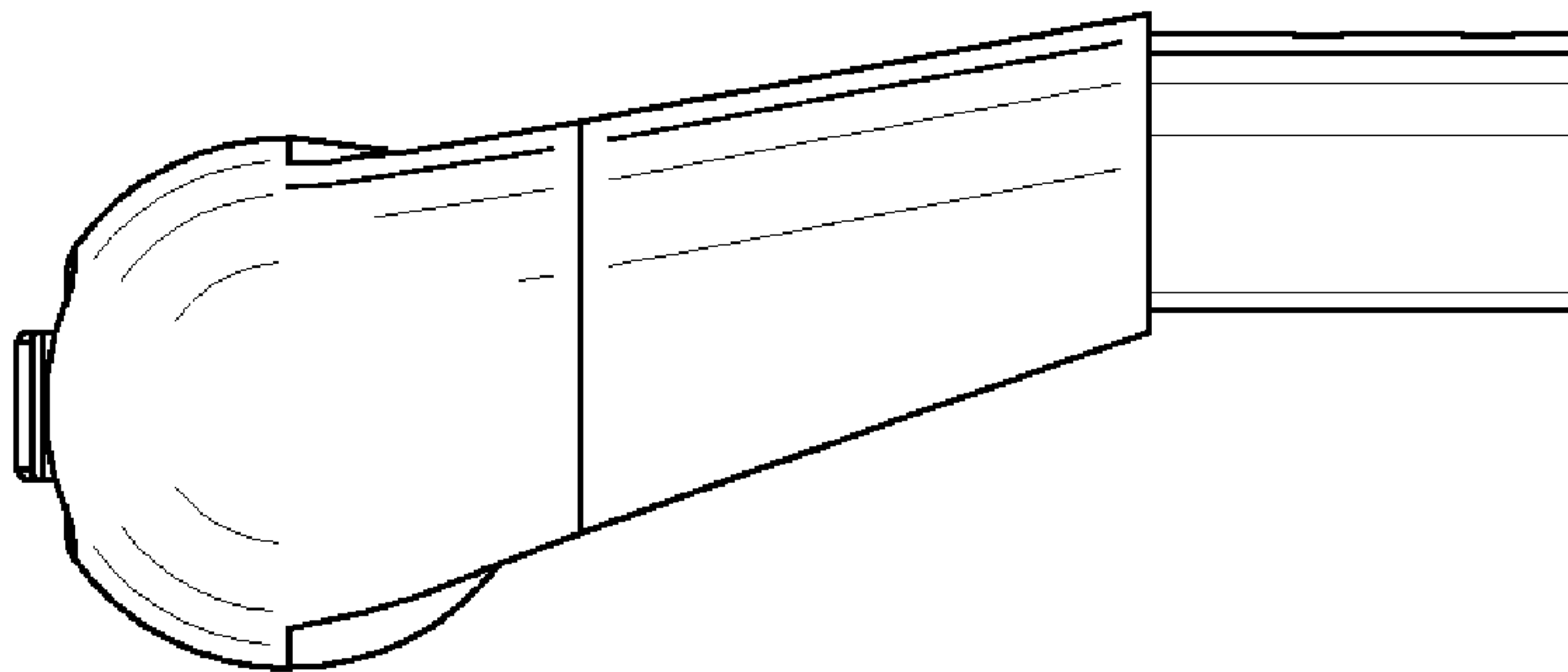


Fig. 4

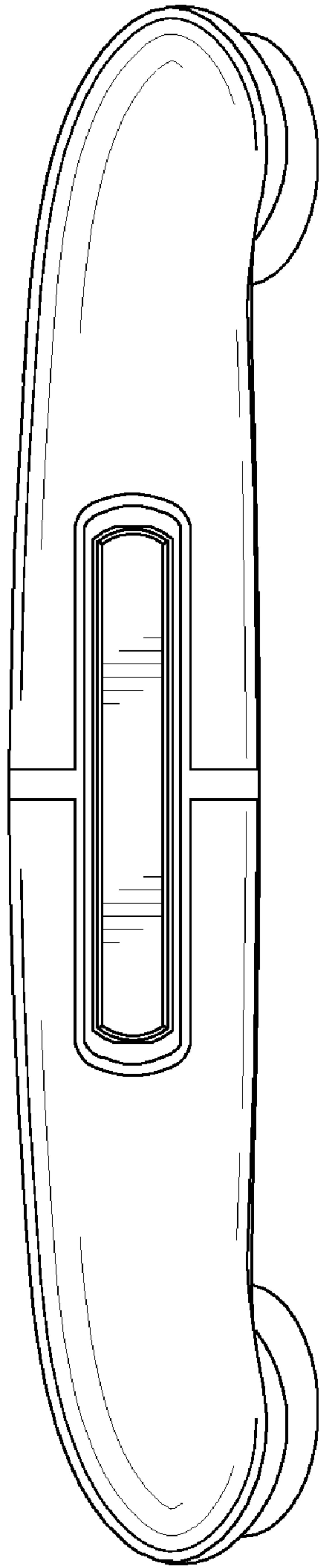


Fig. 6

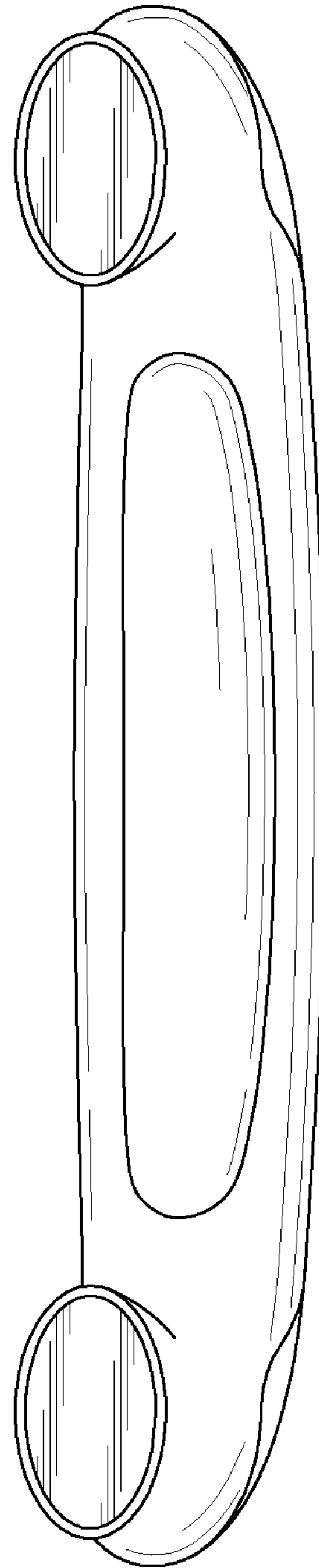


Fig. 7