



US00D553360S

(12) **United States Design Patent**
McDaniel et al.

(10) **Patent No.:** **US D553,360 S**

(45) **Date of Patent:** **** Oct. 23, 2007**

(54) **JIG STORAGE CASE**

(75) Inventors: **Steven D. McDaniel**, Humboldt, TN
(US); **Anthony Smith**, Jackson, TN
(US)

(73) Assignee: **Black & Decker Inc.**, Newark, DE
(US)

(**) Term: **14 Years**

(21) Appl. No.: **29/264,887**

(22) Filed: **Aug. 21, 2006**

(51) **LOC (8) Cl.** **03-01**

(52) **U.S. Cl.** **D3/294**

(58) **Field of Classification Search** D3/273,
D3/276, 281, 282, 291, 294, 905; 206/349,
206/372, 373, 379

See application file for complete search history.

(56) **References Cited**

U.S. PATENT DOCUMENTS

- D314,666 S * 2/1991 Lanius D3/281
- D394,955 S * 6/1998 Dickinson et al. D3/294
- D408,140 S * 4/1999 Johnson et al. D3/294
- D416,682 S * 11/1999 Tanji D3/294

D446,651 S * 8/2001 Liao D3/905
2006/0249411 A1* 11/2006 Gu 206/349

* cited by examiner

Primary Examiner—Antoine D. Davis

Assistant Examiner—Patricia Palasik

(74) *Attorney, Agent, or Firm*—Scott B. Markow

(57) **CLAIM**

The ornamental design for a jig storage case, as shown and described.

DESCRIPTION

FIG. 1 is a bottom/left perspective view of the jig storage case.

FIG. 2 is a top/rear perspective view thereof.

FIG. 3 is a bottom view thereof.

FIG. 4 is a top view thereof.

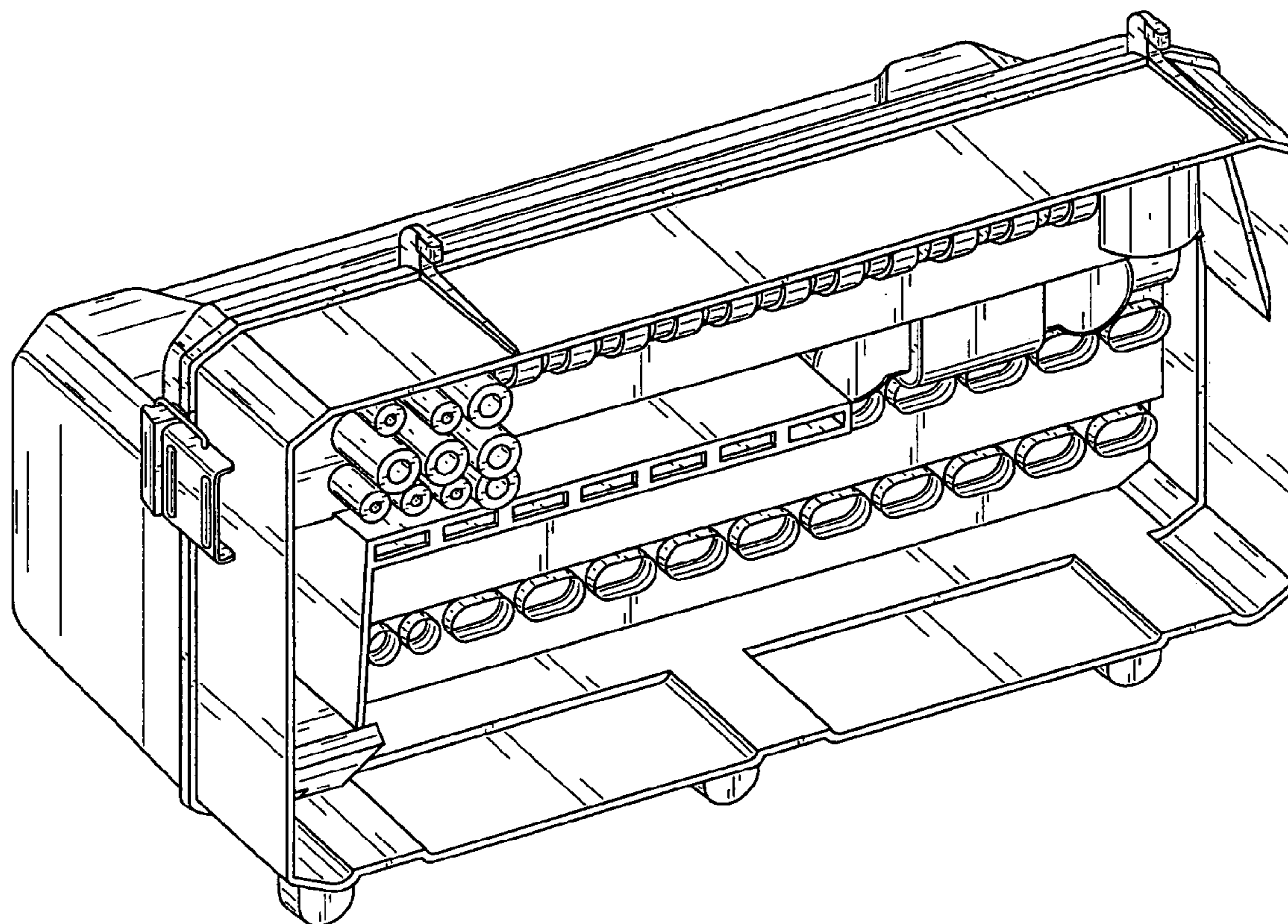
FIG. 5 is a left side view thereof.

FIG. 6 is a right side view thereof.

FIG. 7 is a front view thereof; and,

FIG. 8 is a rear view thereof.

1 Claim, 7 Drawing Sheets



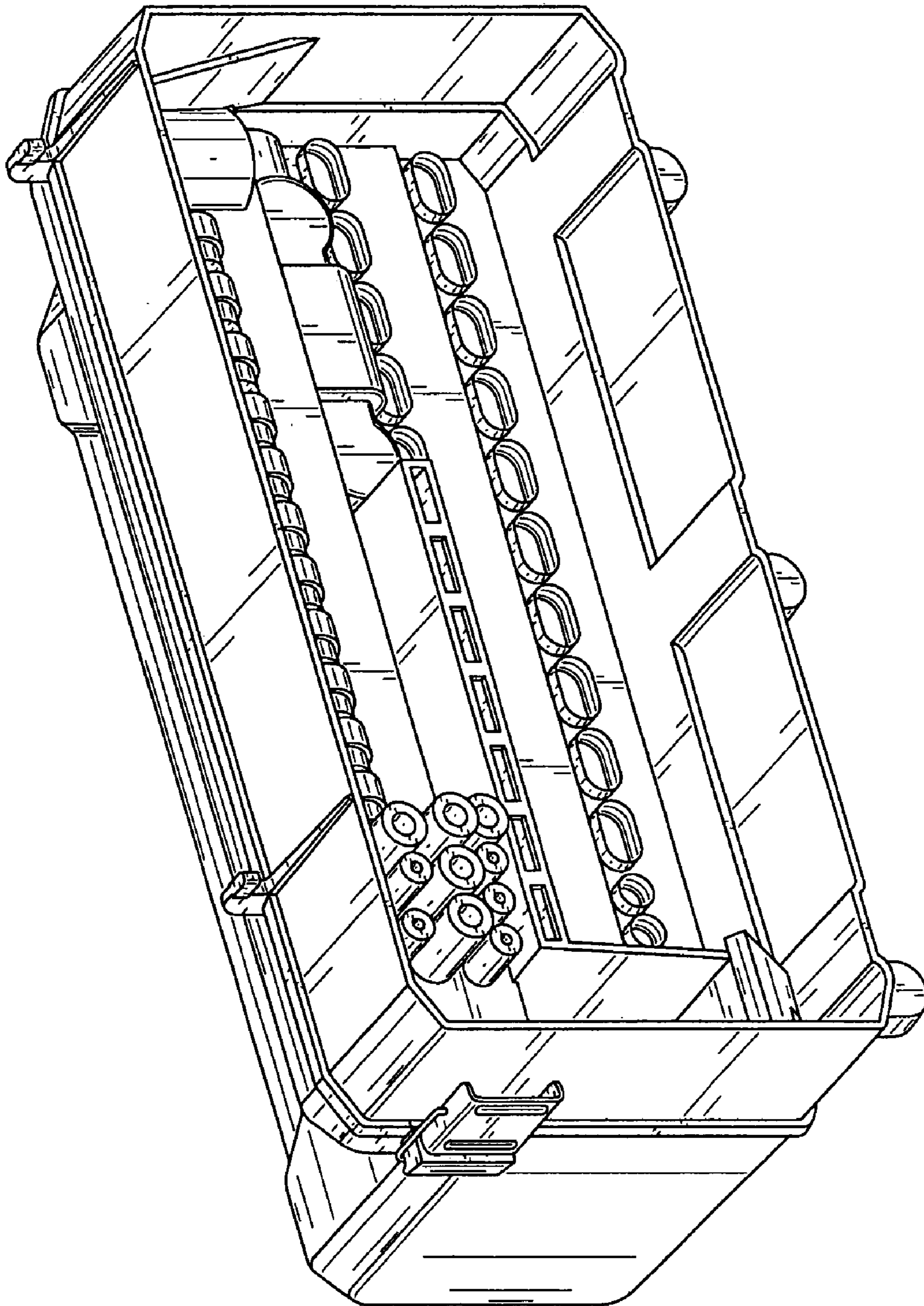


FIG. 1

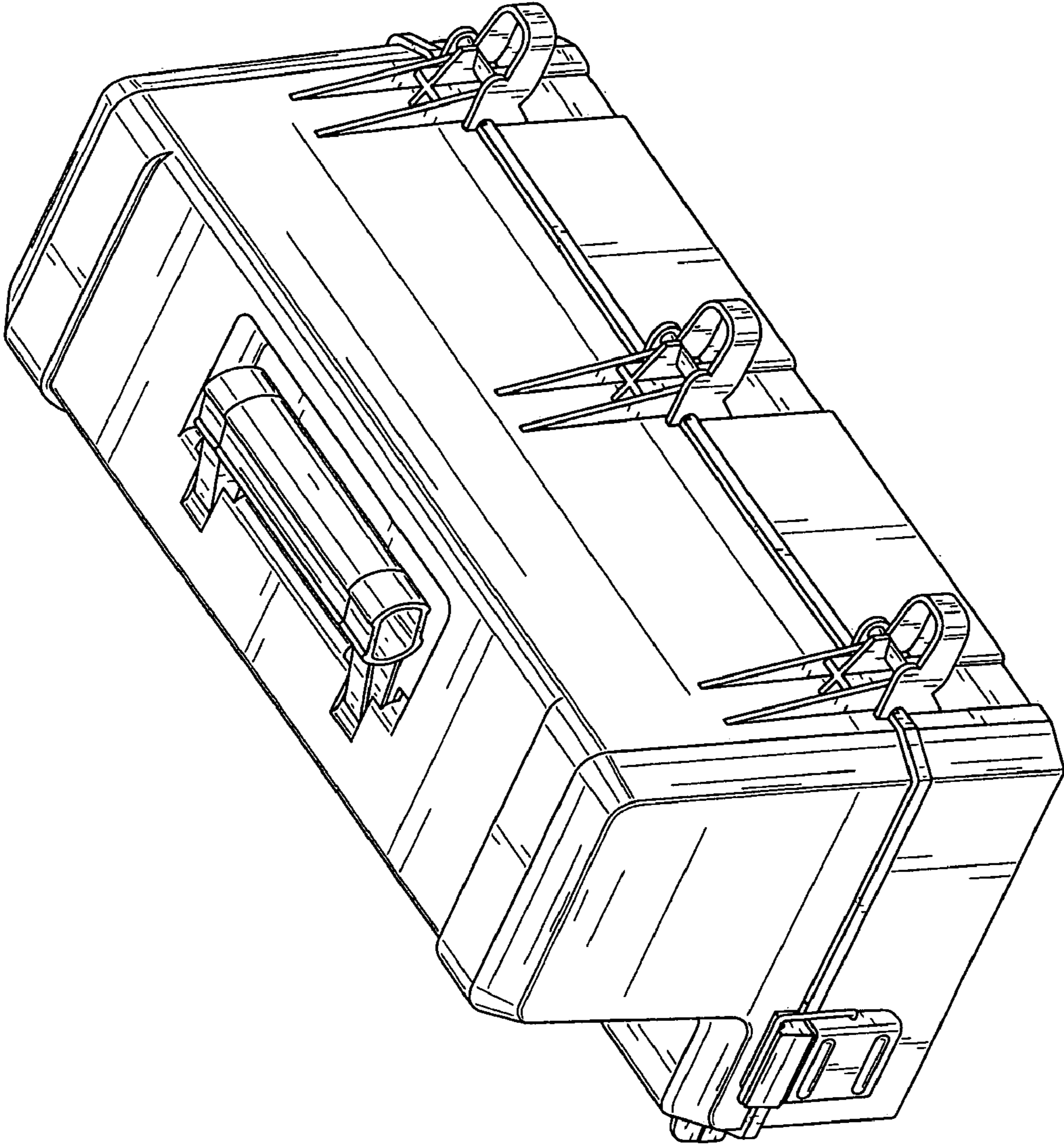


FIG. 2

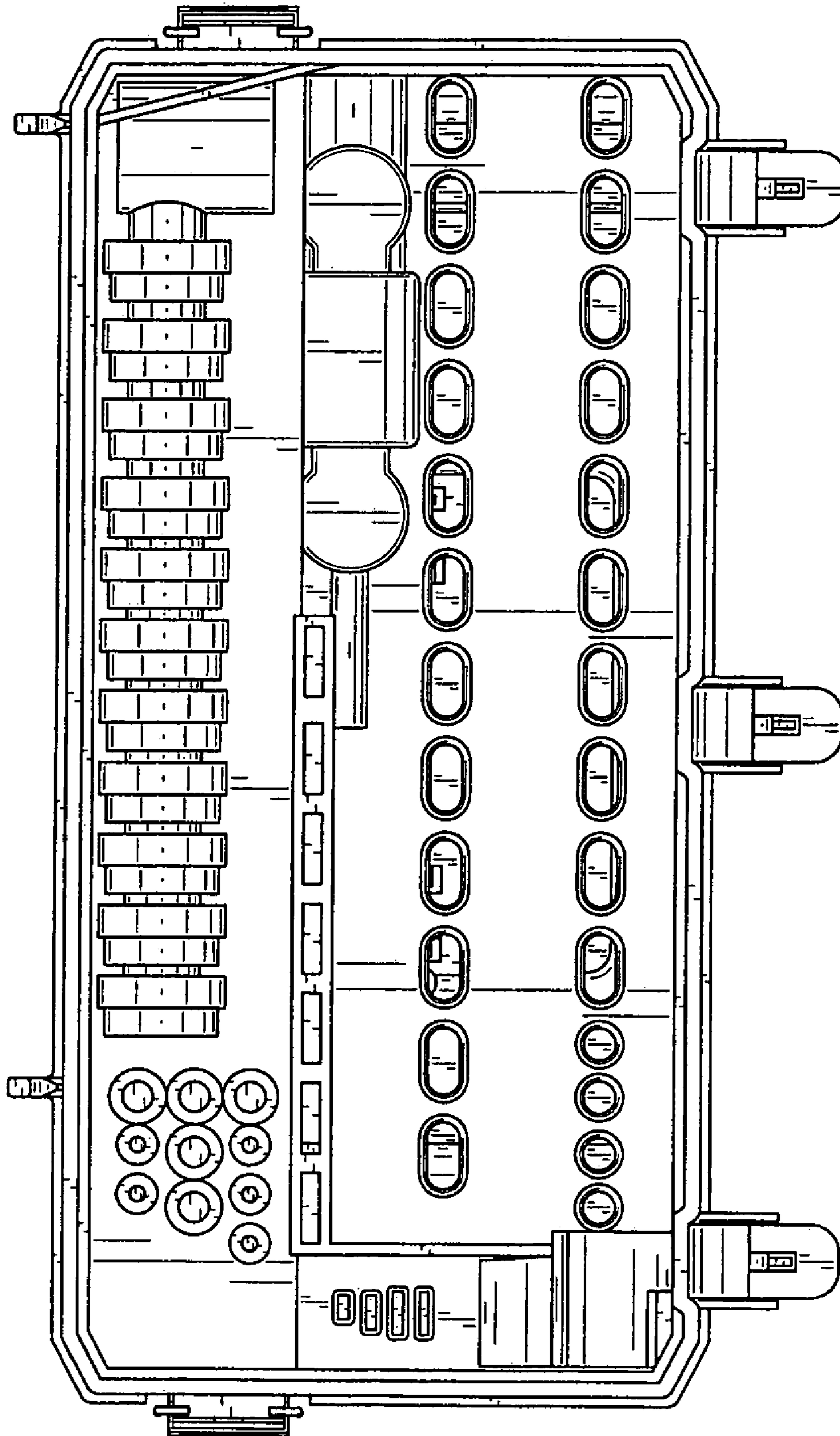


FIG. 3

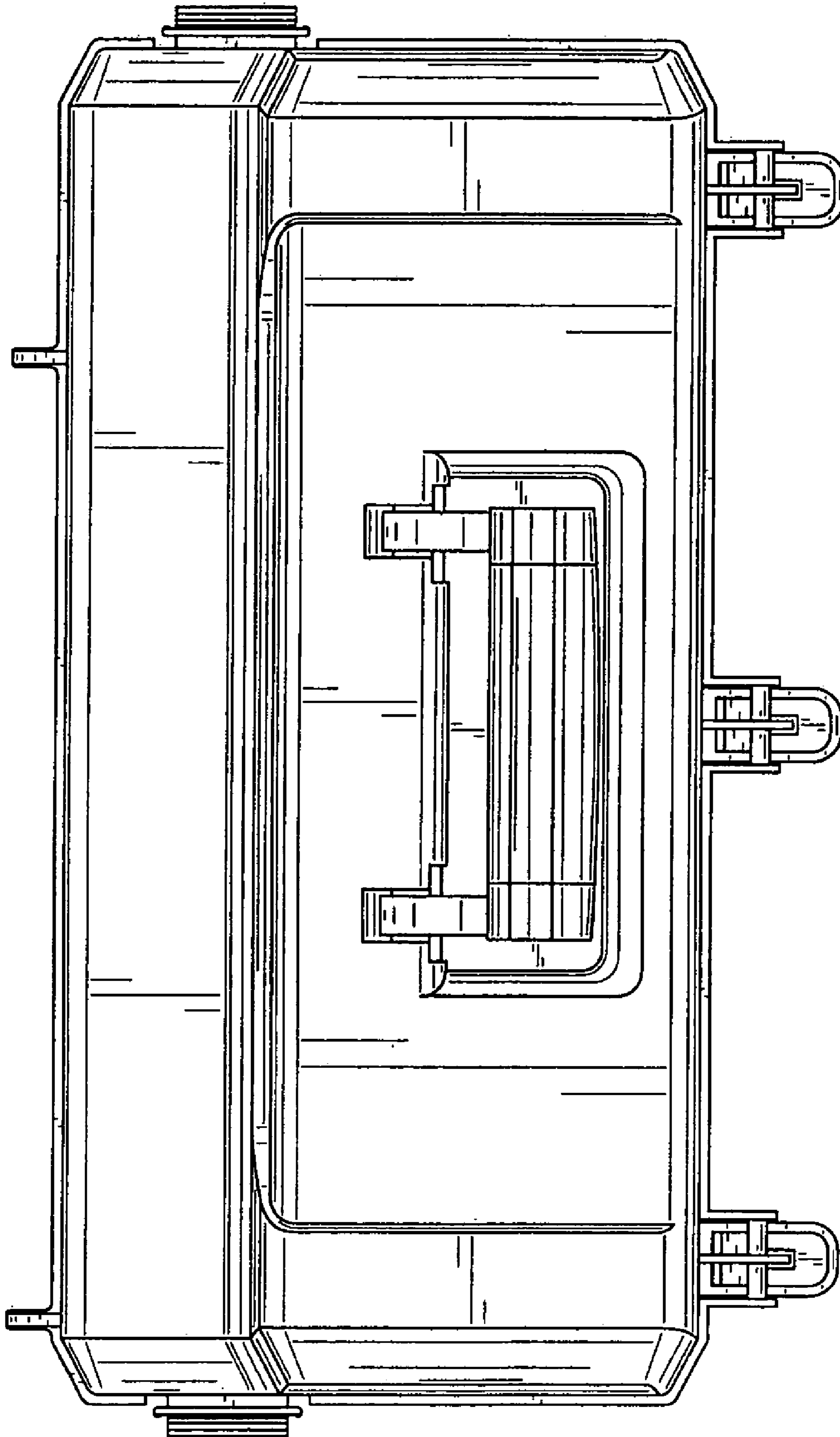


FIG. 4

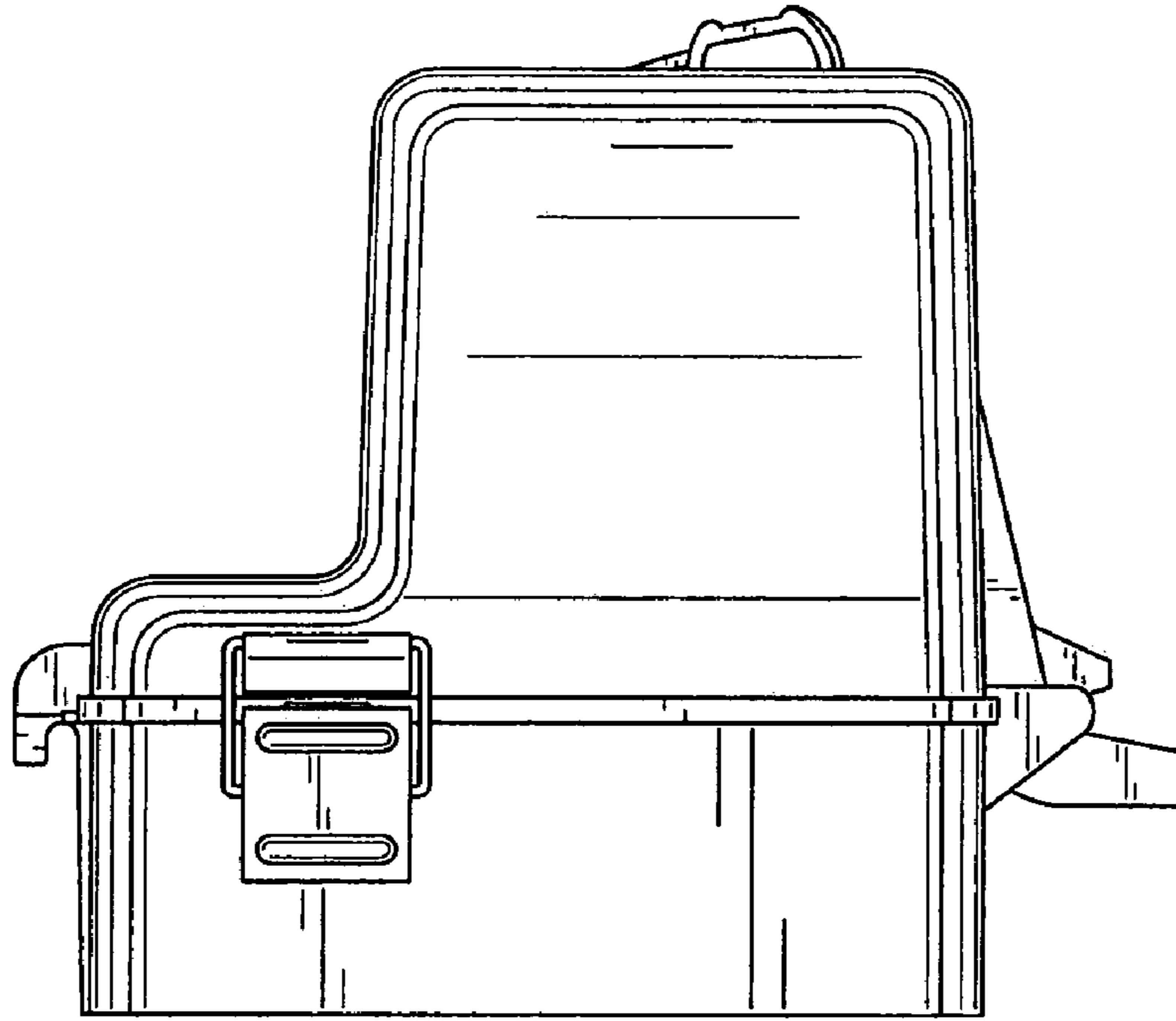


FIG. 5

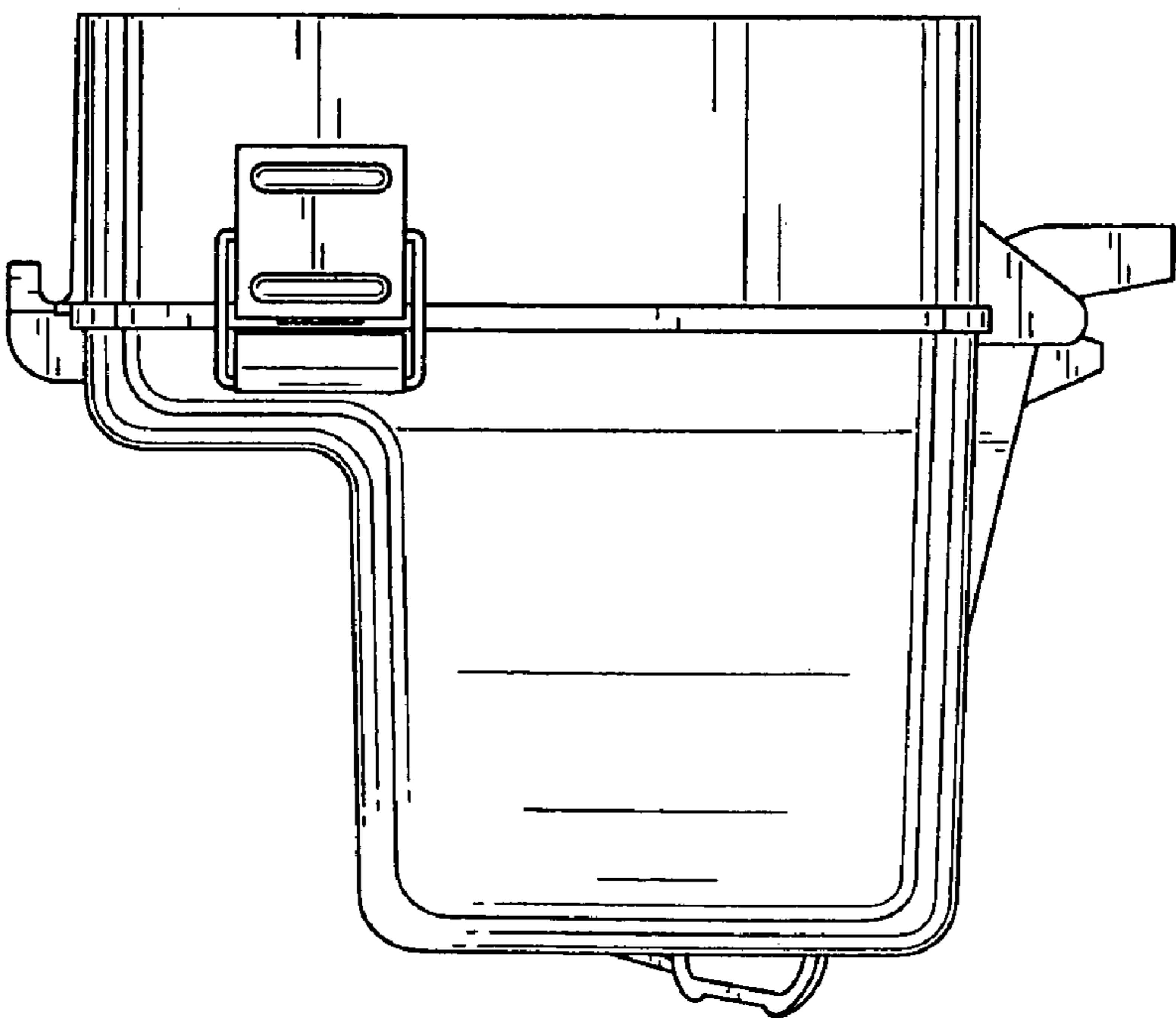


FIG. 6



FIG. 7

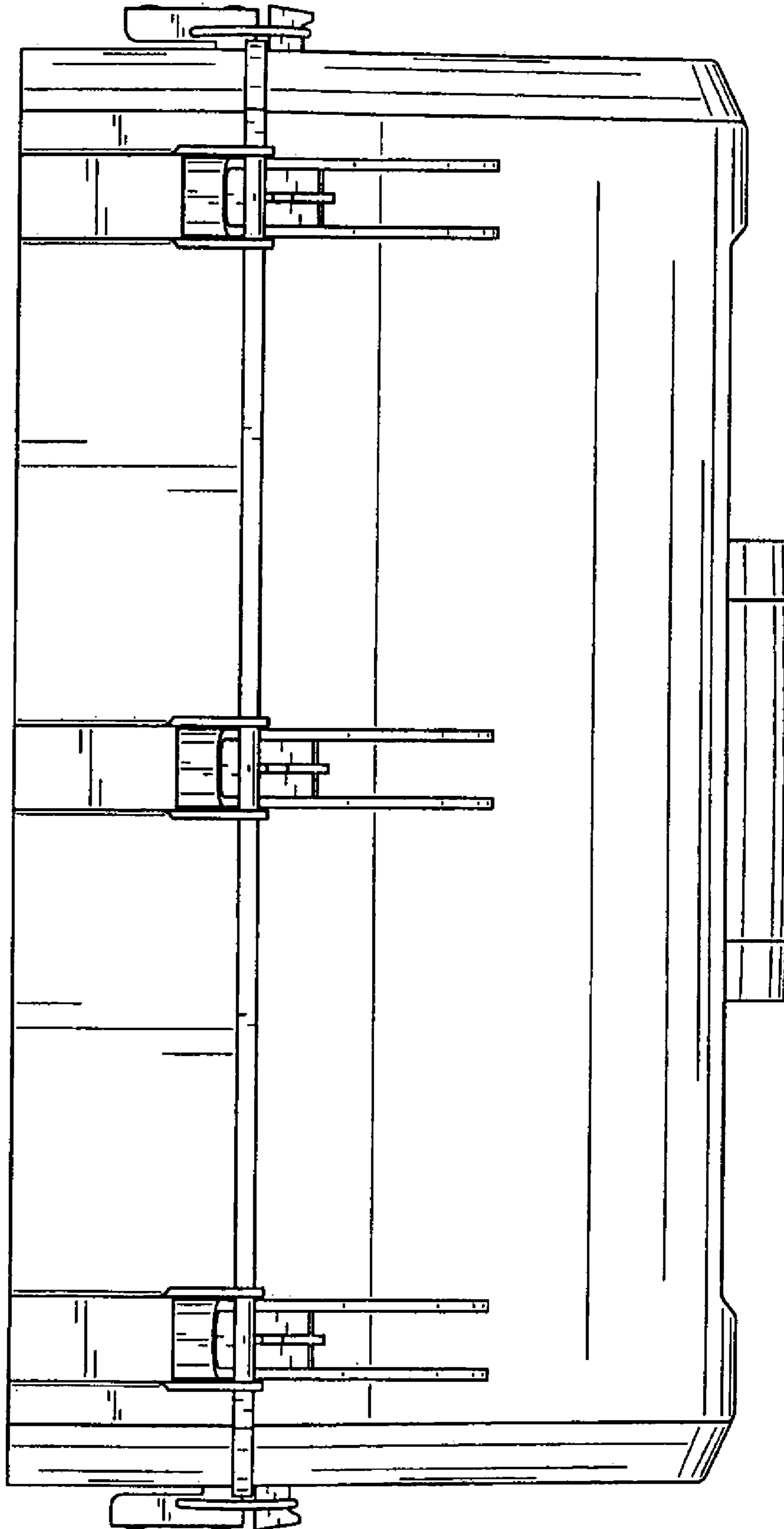


FIG. 8