



US00D553357S

(12) **United States Design Patent**  
**Zimmerman**

(10) **Patent No.:** **US D553,357 S**

(45) **Date of Patent:** **\*\* Oct. 23, 2007**

(54) **ORNAMENT CASE**

(75) Inventor: **Larry Gene Zimmerman**, Hollis, NH  
(US)

(73) Assignee: **Sterilite Corporation**, Townsend, MA  
(US)

(\*\*) Term: **14 Years**

(21) Appl. No.: **29/265,860**

(22) Filed: **Sep. 8, 2006**

(51) **LOC (8) Cl.** ..... **03-01**

(52) **U.S. Cl.** ..... **D3/269; D3/294**

(58) **Field of Classification Search** ..... D3/254,  
D3/257, 269, 273, 294, 904; D9/418, 424,  
D9/432, 756-757; 206/315.9, 521, 521.6-521.8,  
206/822

See application file for complete search history.

(56) **References Cited**

**U.S. PATENT DOCUMENTS**

D184,403	S	*	2/1959	Krone	.....	D3/257
2,967,714	A	*	1/1961	Calabrese	.....	273/271
3,192,978	A	*	7/1965	Horvath	.....	206/592
D262,355	S	*	12/1981	Oakley	.....	D9/757
4,437,713	A	*	3/1984	Roach	.....	312/259
D305,733	S	*	1/1990	Ferris	.....	D9/415
D310,481	S	*	9/1990	Chanel	.....	D9/757
D317,255	S	*	6/1991	Turk	.....	D9/757
D321,280	S	*	11/1991	D'Angeli	.....	D3/257
D322,166	S	*	12/1991	D'Angeli	.....	D3/257
5,397,097	A	*	3/1995	Dale	.....	249/121
D361,508	S	*	8/1995	Schnack	.....	D9/759

6,334,536	B1	*	1/2002	Kanning	.....	206/521
D494,365	S	*	8/2004	Cousin	.....	D3/295

**OTHER PUBLICATIONS**

Jumbo Ornament Storage Box. Downloaded Jun. 30, 2007 at  
[http://www.taylorgifts.com/prodetail.asp?src=CJCJ0406](http://www.taylorgifts.com/prodetail.asp?src=CJCJ0406&itemno=15050.*)  
&itemno=15050.\*

“Ultra Seal Divided Dish,” Sterilite Catalogue, 2002.

“Seasonal Snap 'N Stack,” Snapeware.com, 2005.

“Archival Ornament Storage Boxes,” The Container Store.

“Storage Box With Cardboard Insert,” Sterilite catalogue, 2006.

“Ornament Storage Box,” Target Corporation, 2004.

“Plastic Storage Box with Cardboard Partition,” United Plastics  
catalogue, 2000.

\* cited by examiner

*Primary Examiner*—Philip S. Hyder

*Assistant Examiner*—RoseLynne (Ulm) Cody

(74) *Attorney, Agent, or Firm*—Wilmer Cutler Pickering  
Hale and Dorr LLP

(57) **CLAIM**

The ornamental design for an ornament case, as shown.

**DESCRIPTION**

FIG. 1 is a perspective view of an ornament case.

FIG. 2 is a front view thereof.

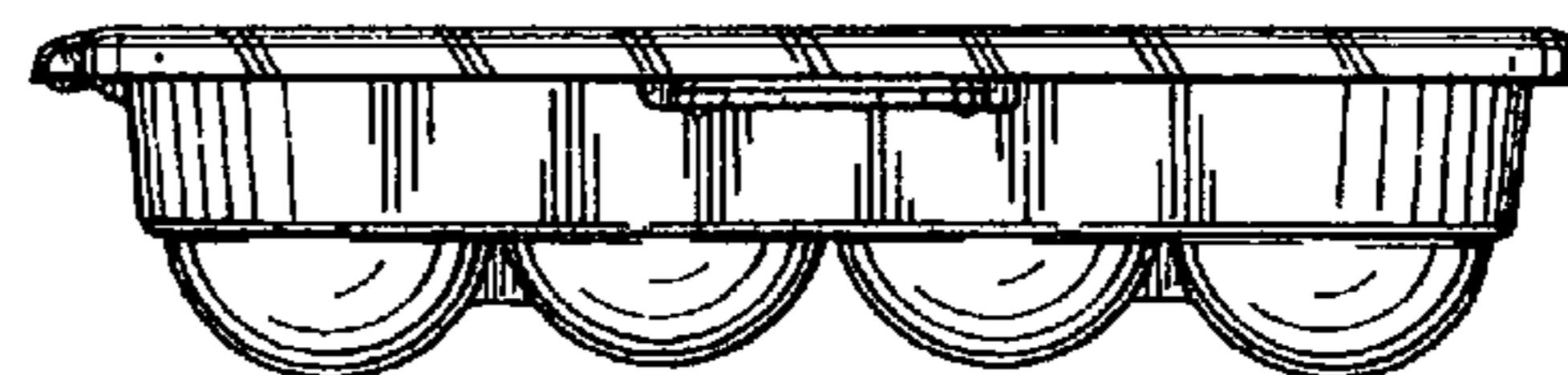
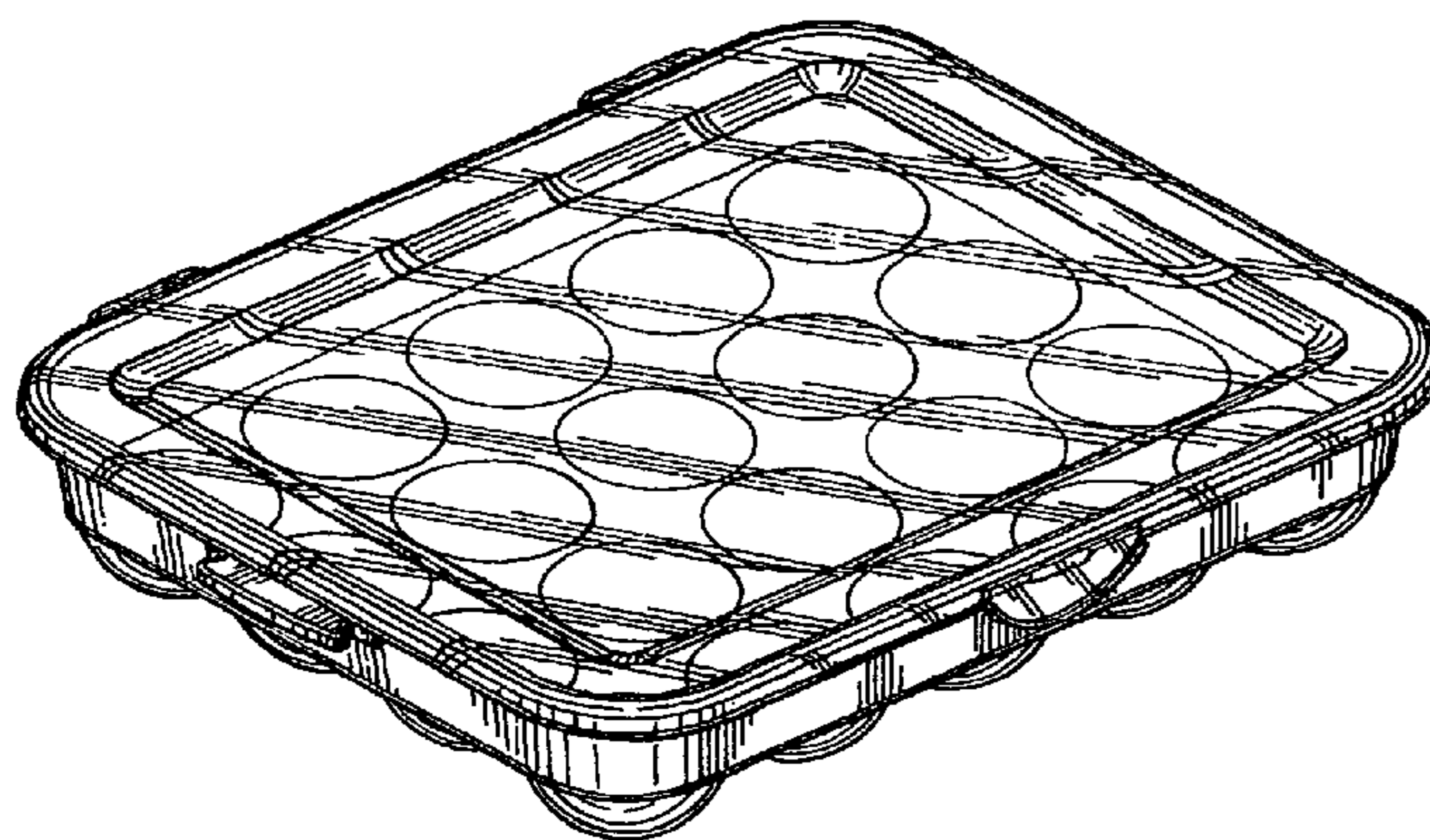
FIG. 3 is a rear view thereof.

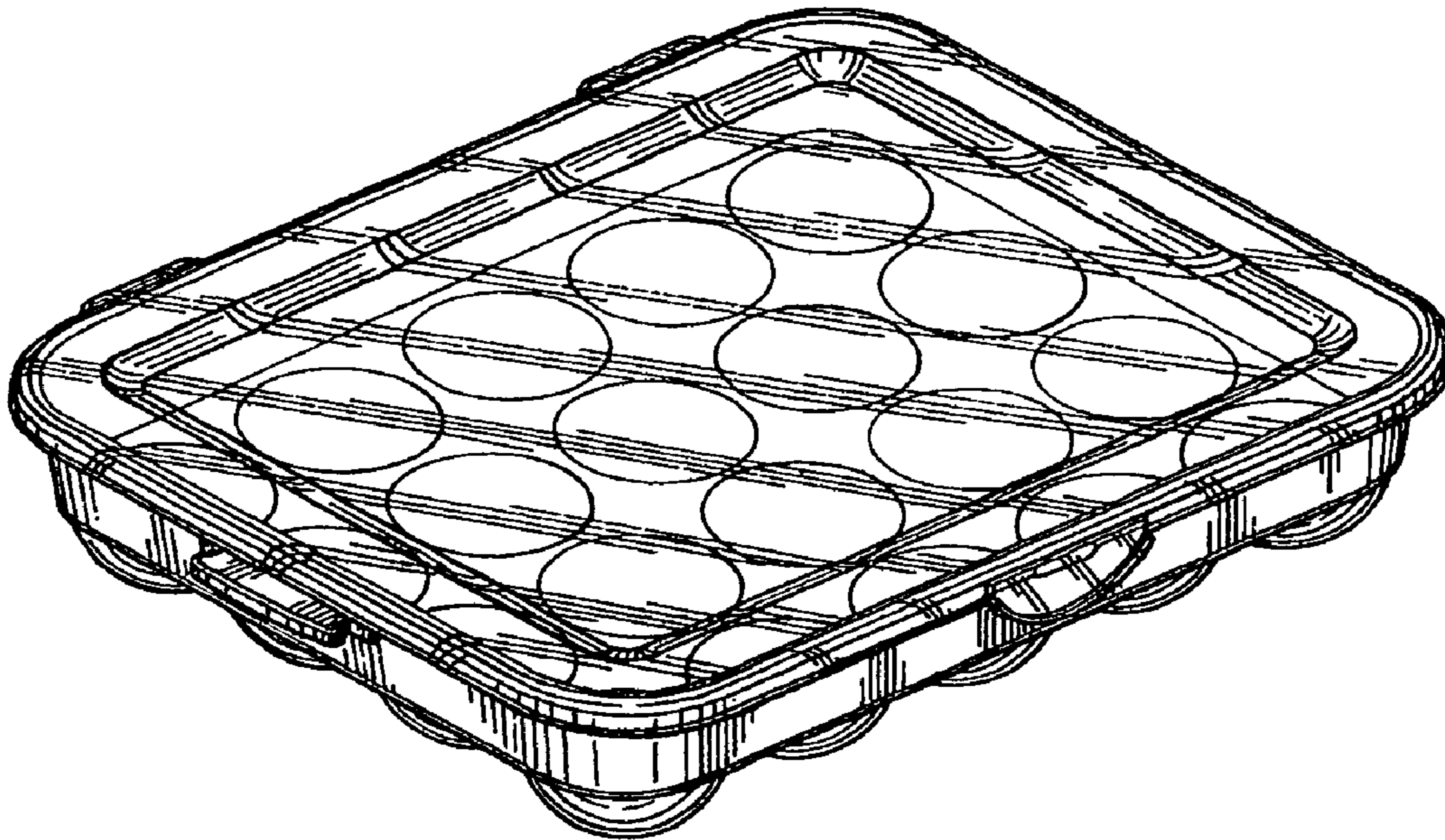
FIG. 4 is a left side view thereof, the right side being a mirror  
image.

FIG. 5 is a top plan view thereof; and,

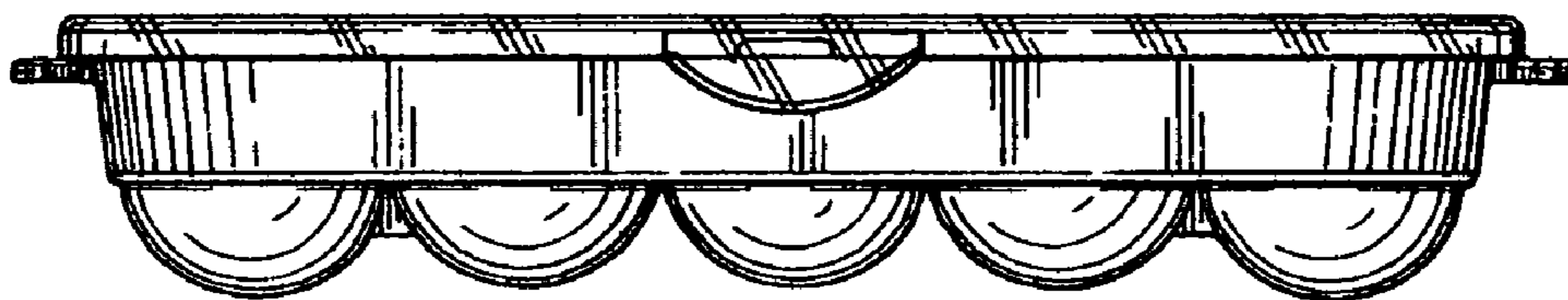
FIG. 6 is a bottom view thereof.

**1 Claim, 2 Drawing Sheets**

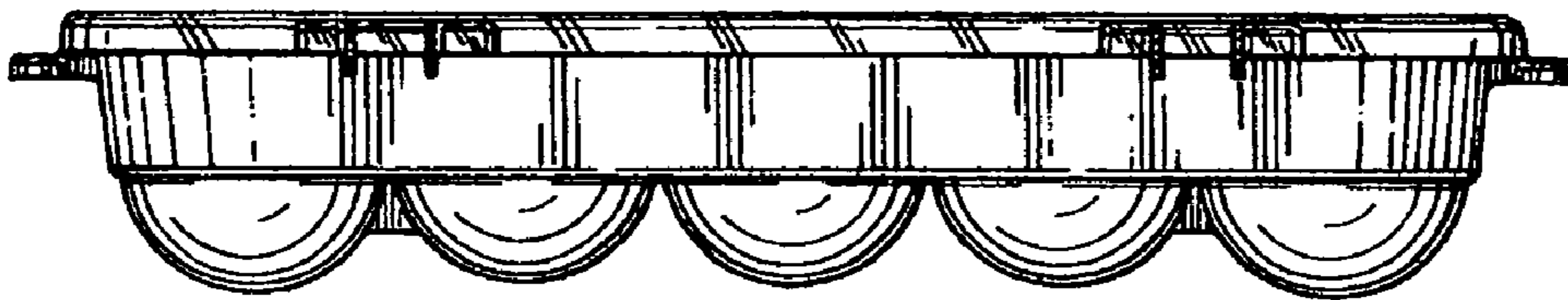




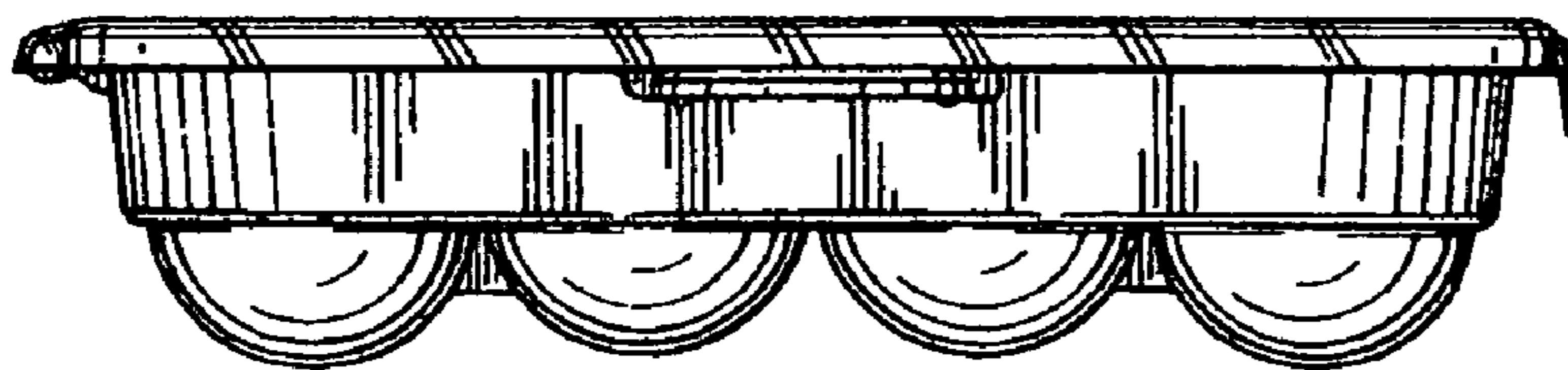
*Fig. 1*



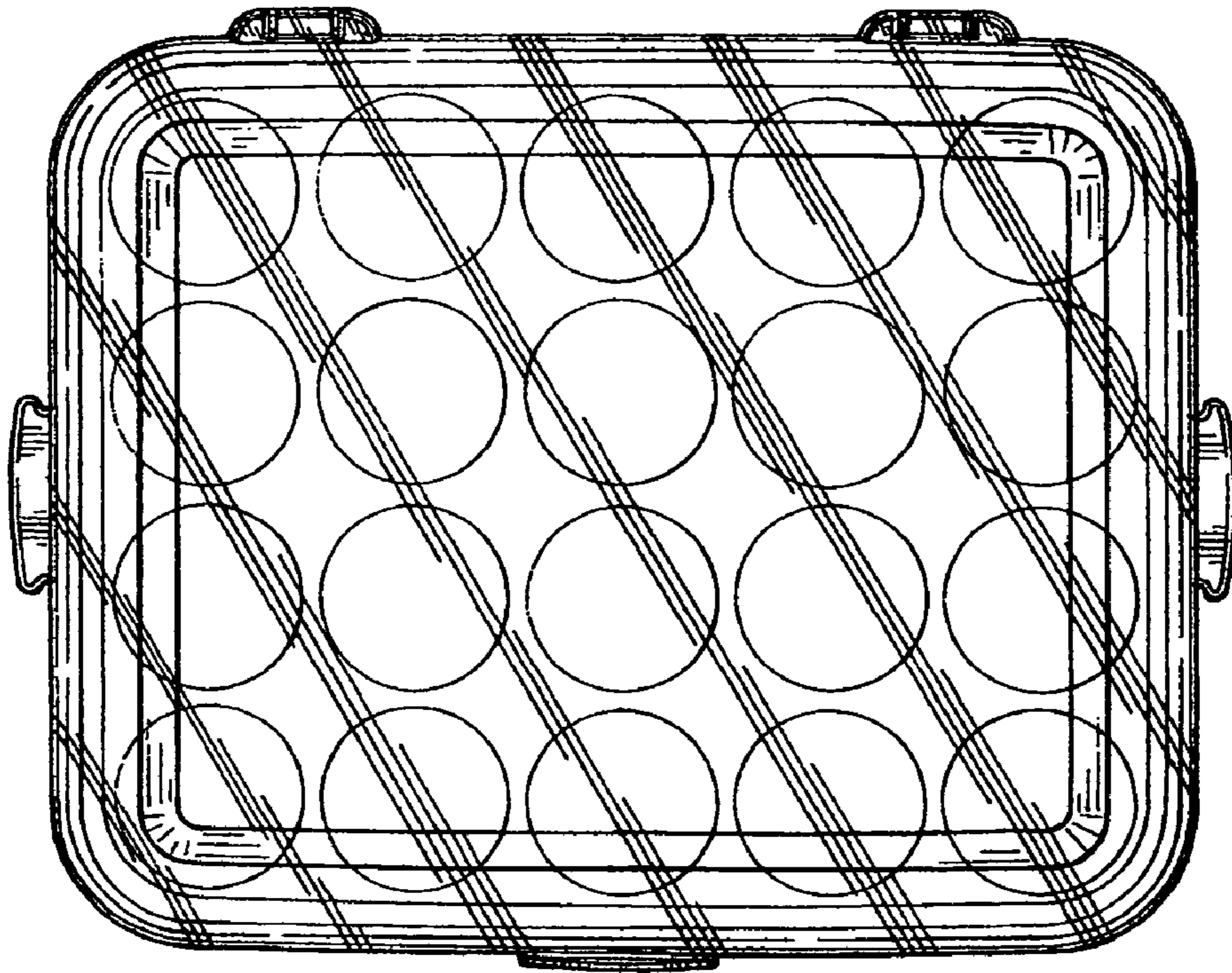
*Fig. 2*



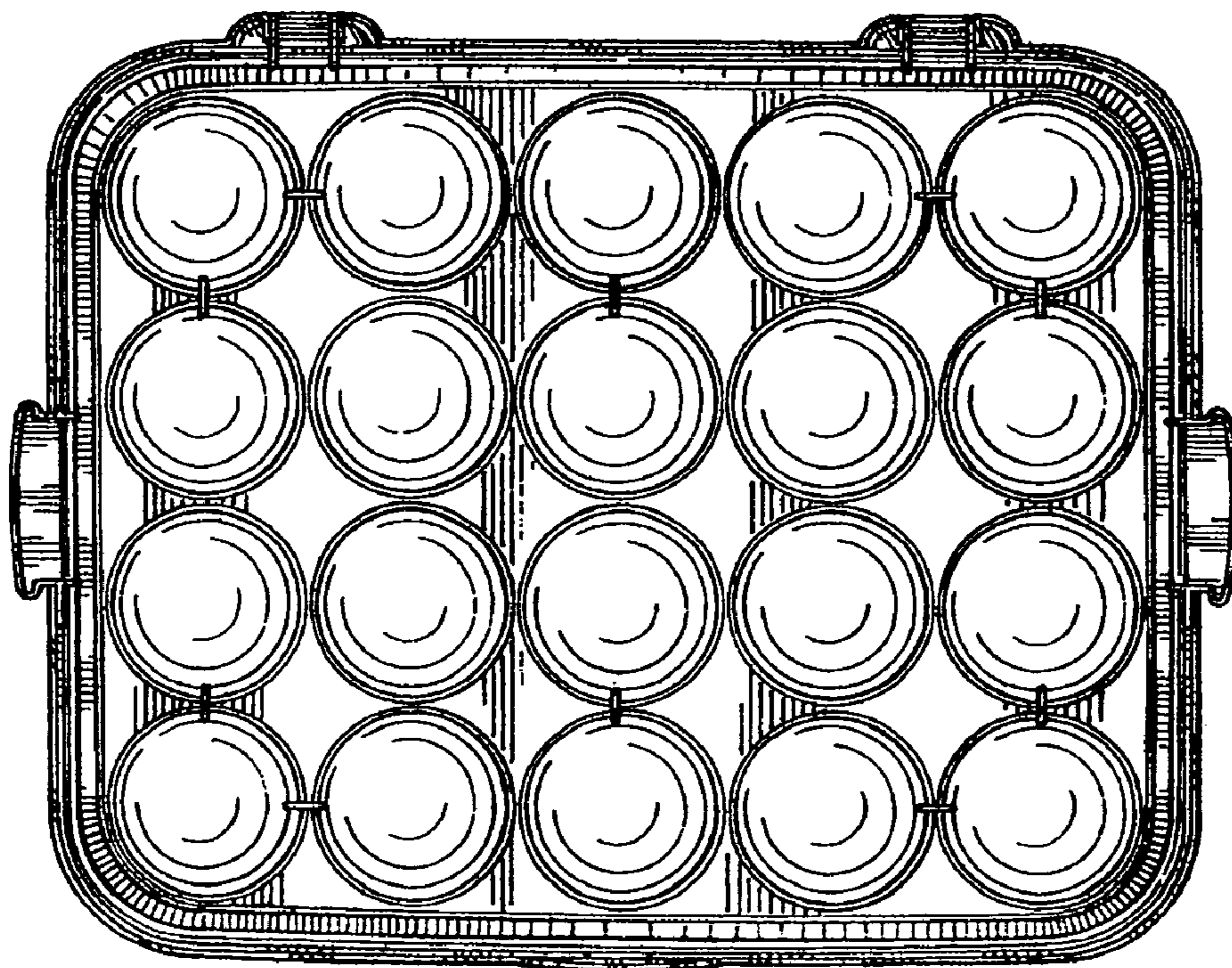
*Fig. 3*



*Fig. 4*



*Fig. 5*



*Fig. 6*