



US00D553352S

(12) **United States Design Patent**  
**Allen**

(10) **Patent No.:** **US D553,352 S**  
(45) **Date of Patent:** **\*\* Oct. 23, 2007**

(54) **LOCKING CONTAINER FOR A PORTABLE MUSIC PLAYER**

*Primary Examiner*—Catherine R. Oliver  
(74) *Attorney, Agent, or Firm*—Alfred M. Walker

(76) **Inventor:** **Peter Allen**, 15 Berry Hill Rd., Oyster Bay Cove, NY (US) 11771

(57) **CLAIM**

The ornamental design for a locking container for a portable music player, as shown and described.

(\*\*) **Term:** **14 Years**

(21) **Appl. No.:** **29/267,247**

**DESCRIPTION**

(22) **Filed:** **Oct. 10, 2006**

(51) **LOC (8) Cl.** ..... **03-01**

(52) **U.S. Cl.** ..... **D3/218**

(58) **Field of Classification Search** ..... D3/218,  
D3/215, 219, 230, 299, 201, 224–228; 206/305,  
206/320; 379/419–420, 454–455; 465/90,  
465/515–550; D14/140–142  
See application file for complete search history.

FIG. 1 is a perspective view of a locking container for a portable music player, showing my new design, wherein a lock is shown in phantom lines;

FIG. 2 is a rear elevation view thereof;

FIG. 3 is a front elevation view thereof;

FIG. 4 is a left side elevation view thereof;

FIG. 5 is a right side elevation view thereof;

FIG. 6 is a top plan view thereof;

FIG. 7 is a bottom view thereof; and,

FIG. 8 is a perspective view thereof, also showing a portable music player inserted therein.

The lock and portable music player shown in phantom lines are shown for environmental purposes only, and form no part of the claimed design.

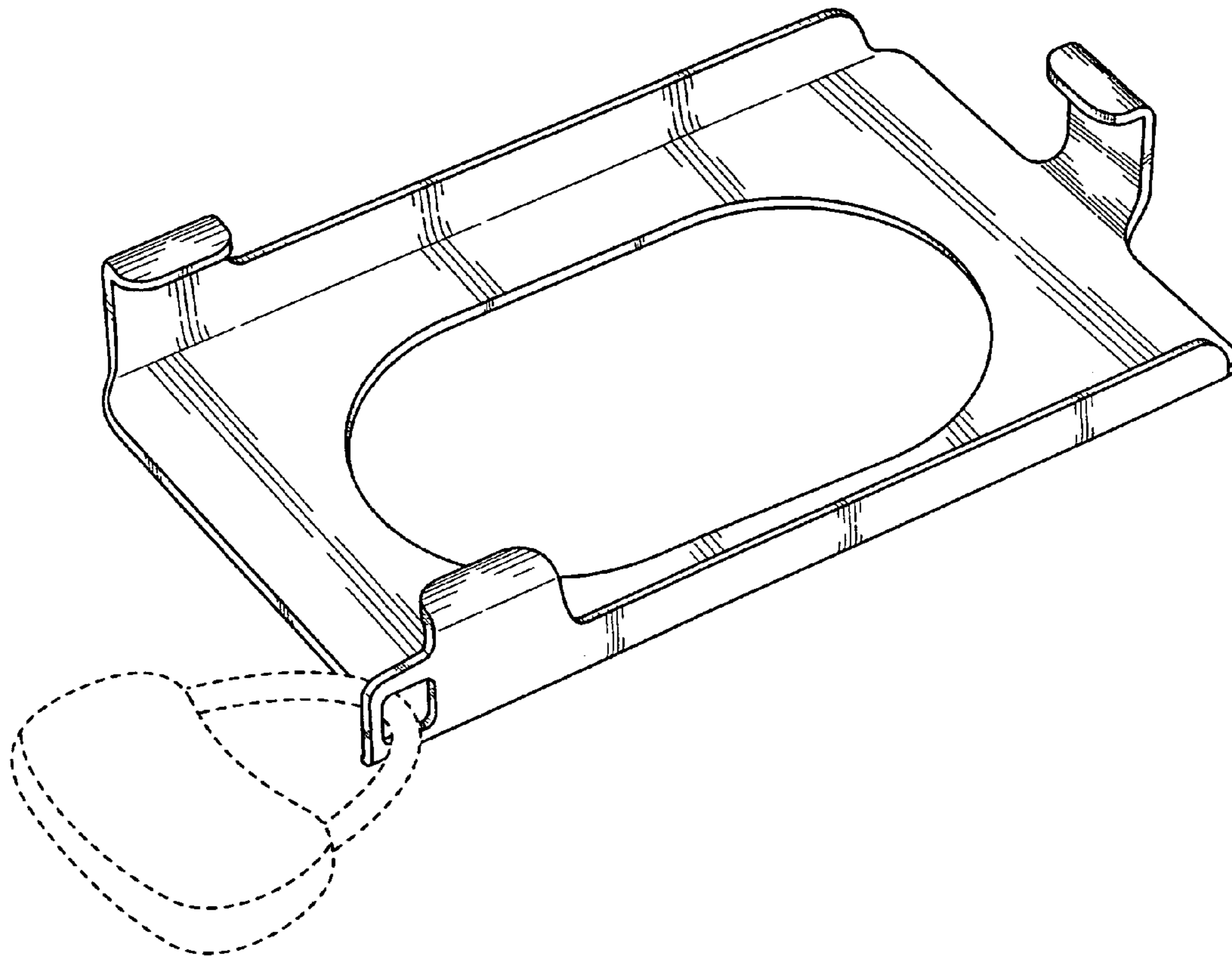
(56) **References Cited**

**U.S. PATENT DOCUMENTS**

D485,060 S *	1/2004	DeCotis	.....	D3/215
D499,546 S *	12/2004	Smithers	.....	D3/218
D503,532 S *	4/2005	Andre et al.	.....	D3/218
D519,731 S *	5/2006	Andre et al.	.....	D3/218
D521,232 S *	5/2006	Andre et al.	.....	D3/218
D533,994 S *	12/2006	Hussaini et al.	.....	D3/218

\* cited by examiner

**1 Claim, 6 Drawing Sheets**



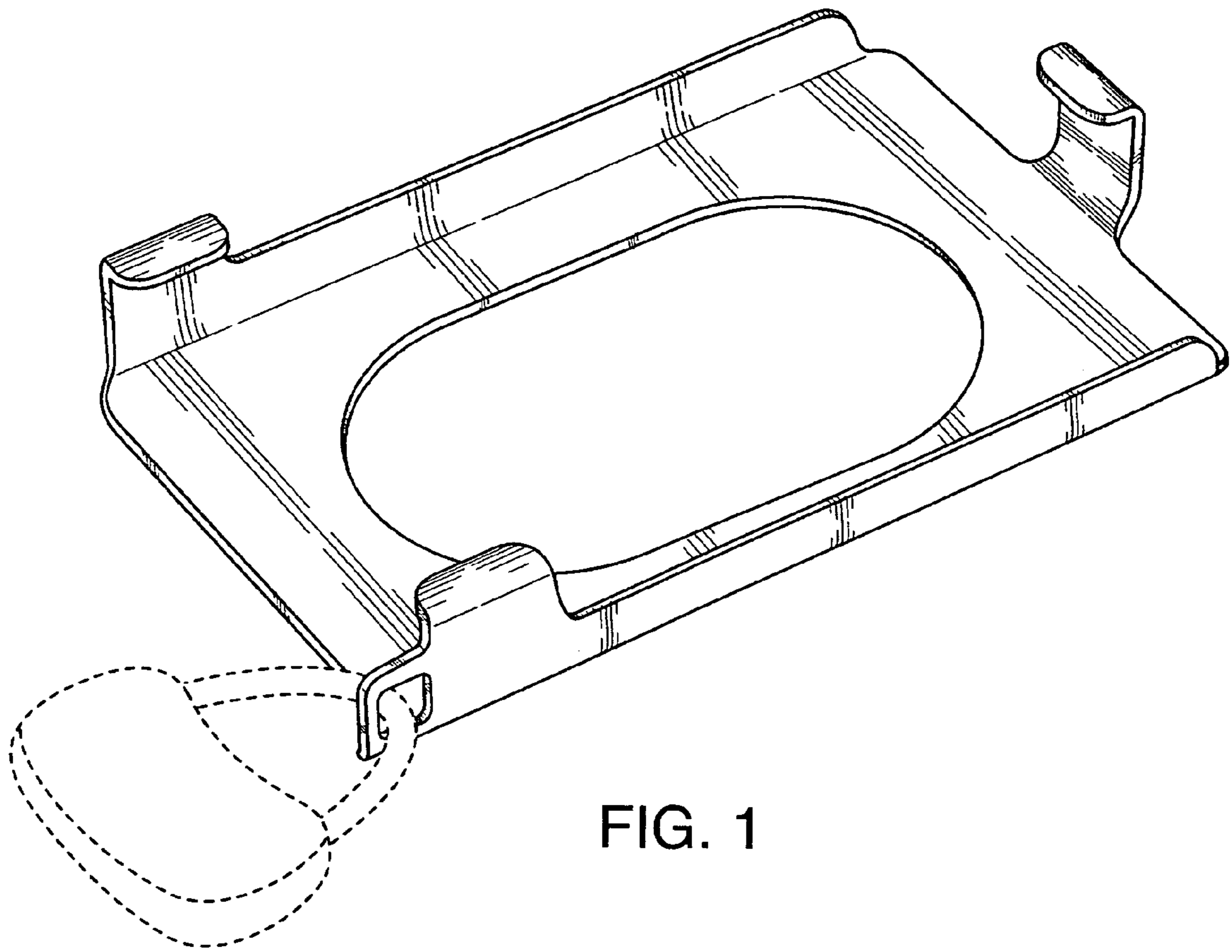


FIG. 1

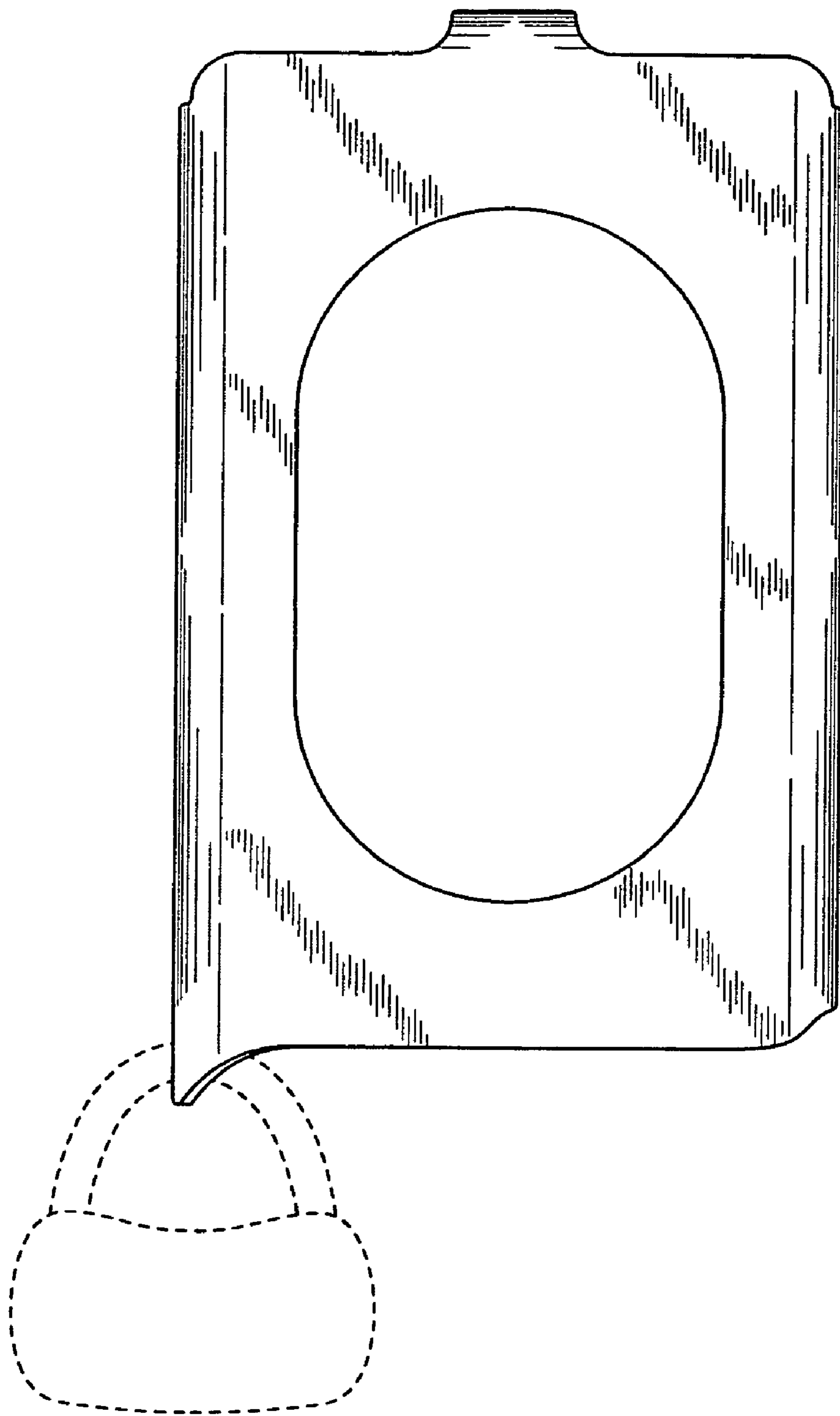


FIG. 2

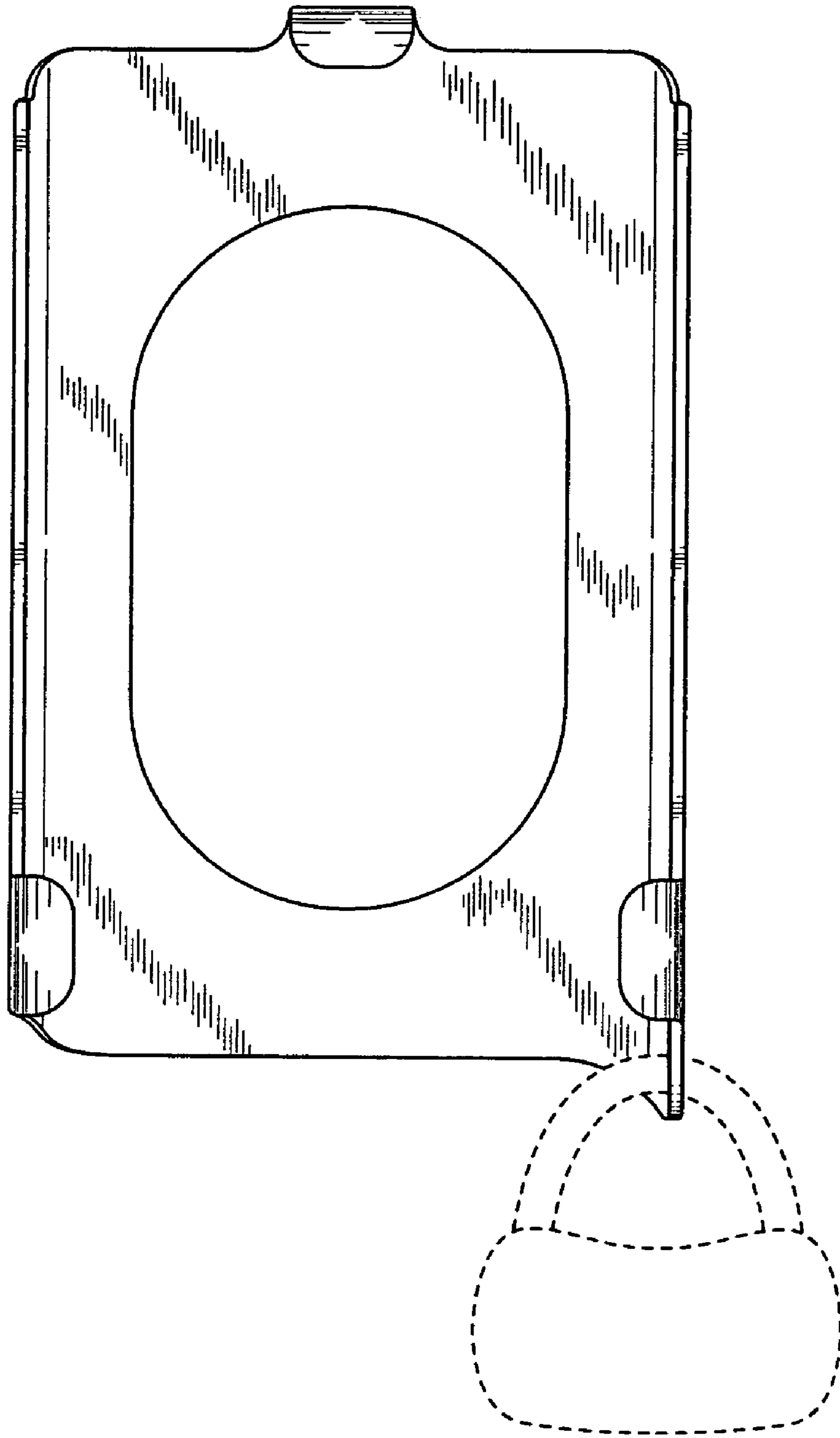


FIG. 3

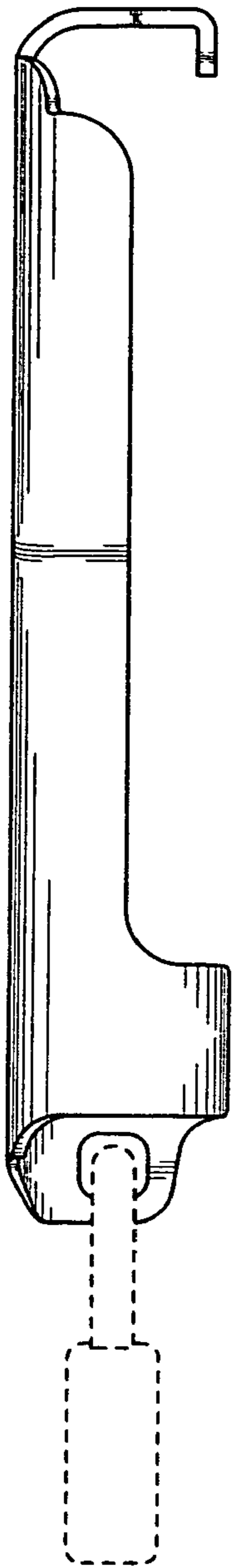


FIG. 4

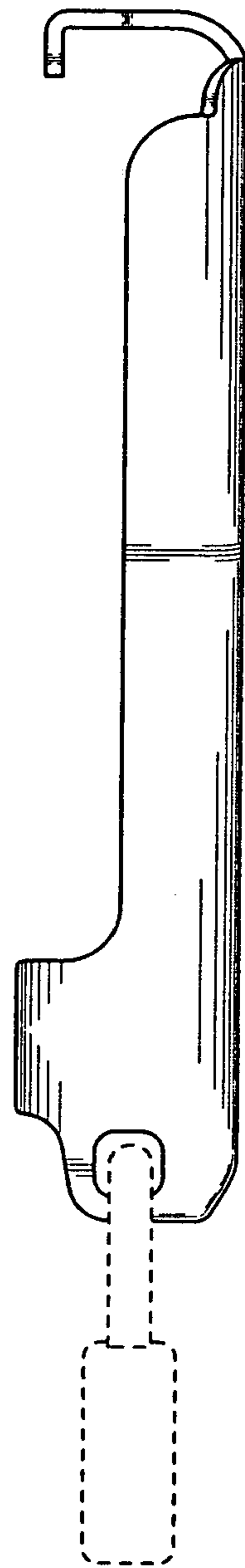


FIG. 5

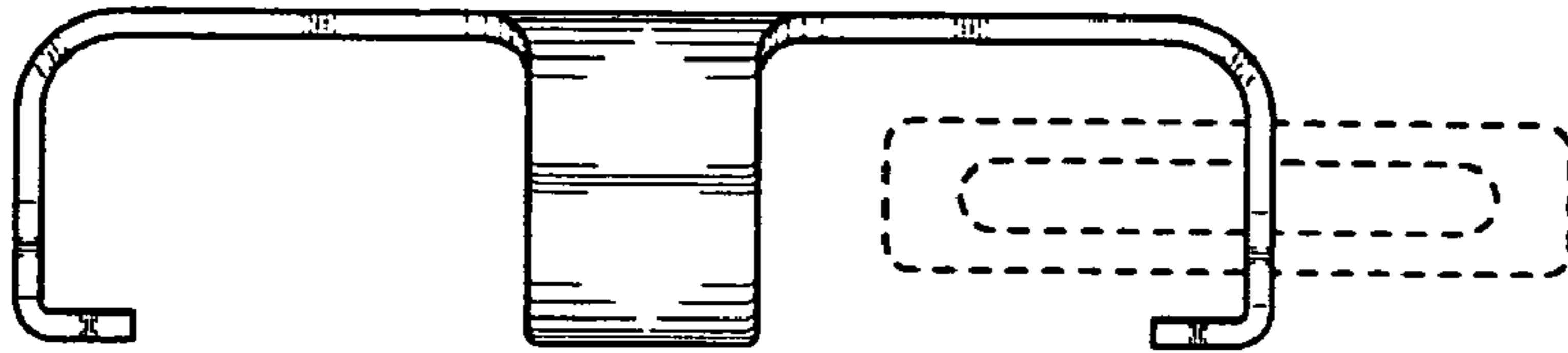


FIG. 6

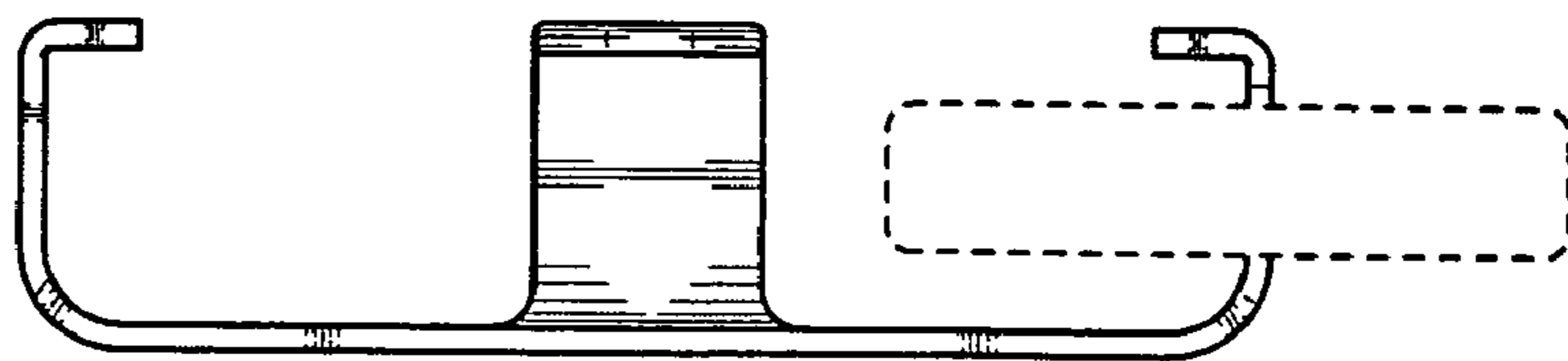


FIG. 7

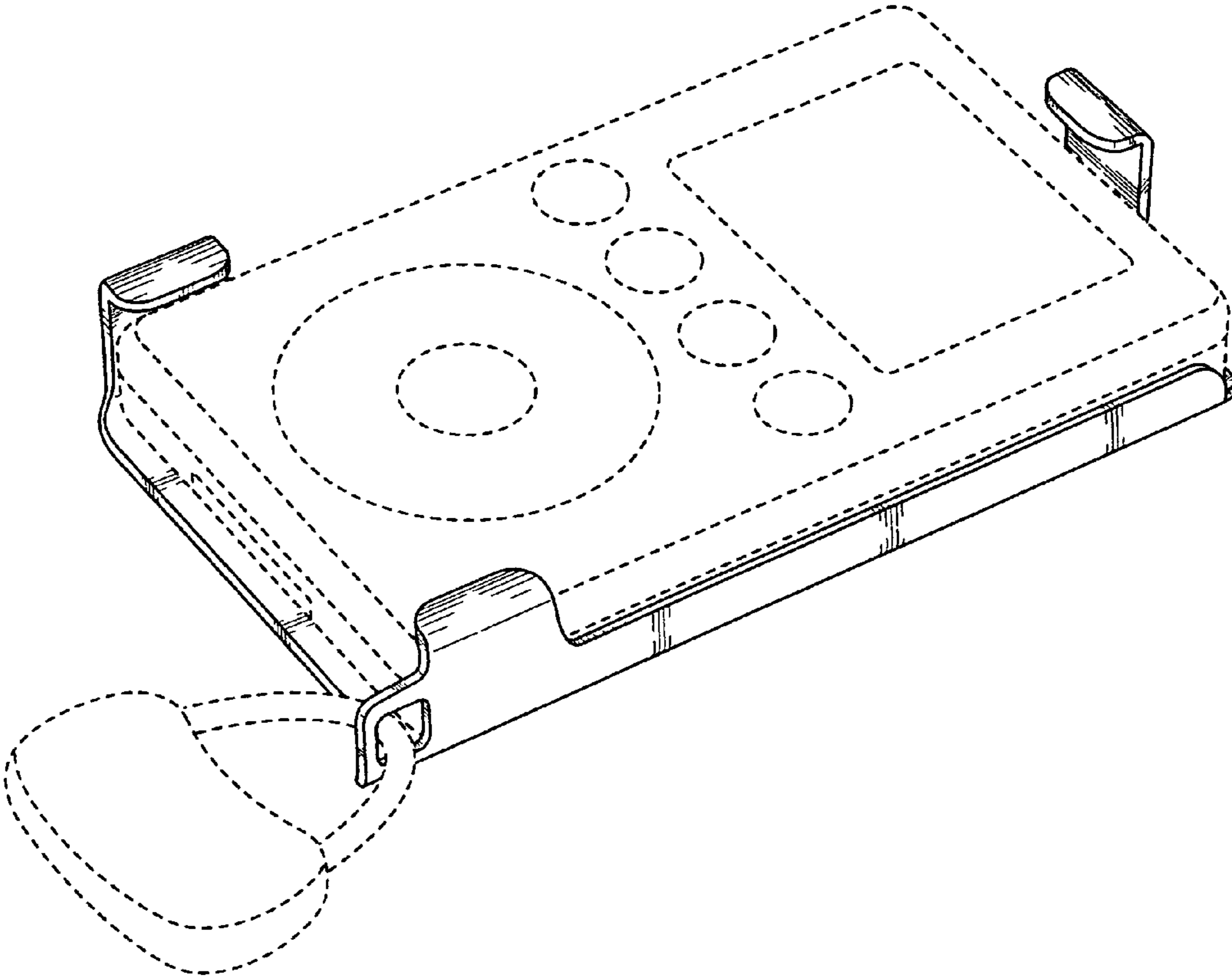


FIG. 8