



US00D553349S

(12) **United States Design Patent**
Aliberti et al.

(10) **Patent No.:** **US D553,349 S**

(45) **Date of Patent:** **** Oct. 23, 2007**

(54) **BAG**

(75) Inventors: **David A. Aliberti**, Verona, PA (US);
Elizabeth Tracy, Pittsburgh, PA (US);
Thomas J. Africa, Lebanon, OH (US);
Aaron A. Cornaby, New Albany, OH
(US); **Linda Morgan**, Oakmont, PA
(US); **Jeff Stewart**, Pittsburgh, PA
(US); **Raluca A. Vescan**, Pittsburgh, PA
(US)

(73) Assignee: **Leedsworld, Inc.**, New Kensington, PA
(US)

(**) Term: **14 Years**

(21) Appl. No.: **29/248,074**

(22) Filed: **Jul. 27, 2006**

(51) **LOC (8) Cl.** **03-01**

(52) **U.S. Cl.** **D3/216**

(58) **Field of Classification Search** D3/216–217,
D3/276, 283, 286–287, 289, 291, 279; 224/153,
224/257, 259

See application file for complete search history.

(56) **References Cited**

U.S. PATENT DOCUMENTS

D375,402 S * 11/1996 Yeh D3/217
D387,198 S * 12/1997 Lehmann et al. D3/217

6,942,077 B1 * 9/2005 Nykoluk 190/115
2002/0139820 A1 * 10/2002 Godshaw et al. 224/153
2003/0015559 A1 * 1/2003 Oh 224/153
2004/0108345 A1 * 6/2004 Oh 224/153

* cited by examiner

Primary Examiner—Ian Simmons

Assistant Examiner—Anna J Burmeister

(74) *Attorney, Agent, or Firm*—Wolf, Block, Schorr &
Solis-Cohen LLP

(57) **CLAIM**

The ornamental design for a bag, as shown and described.

DESCRIPTION

FIG. 1 is a top, front, right side perspective view of the bag,
showing our design;

FIG. 2 front elevational view thereof;

FIG. 3 is a rear elevational view thereof;

FIG. 4 is a right side elevational view thereof;

FIG. 5 is a left side elevational view thereof;

FIG. 6 is a top plan view thereof; and,

FIG. 7 is a bottom plan view thereof.

The broken lines of FIGS. 1–7 are for illustrative purposes
only and form no part of the claimed design.

1 Claim, 7 Drawing Sheets





FIG. 1

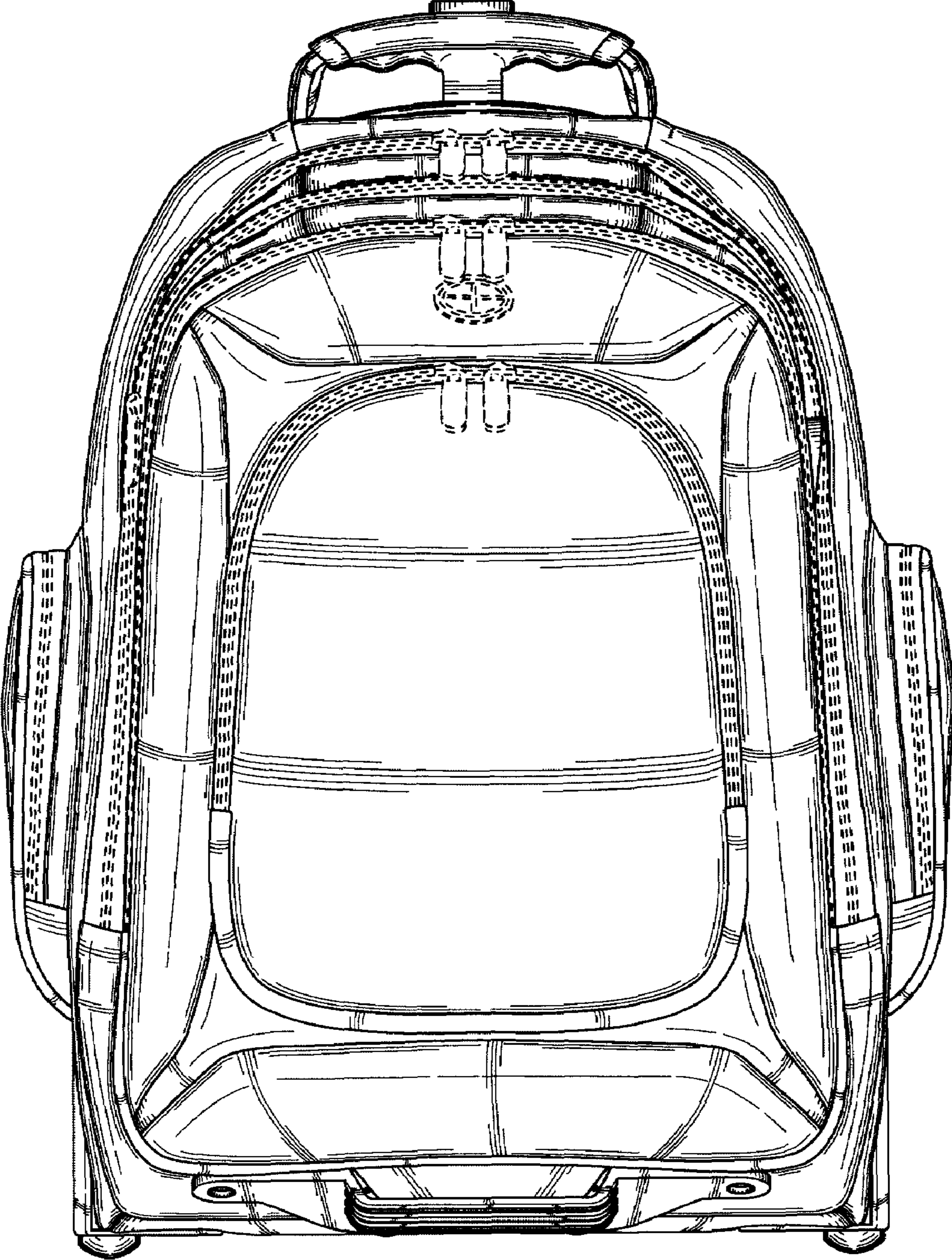


FIG. 2

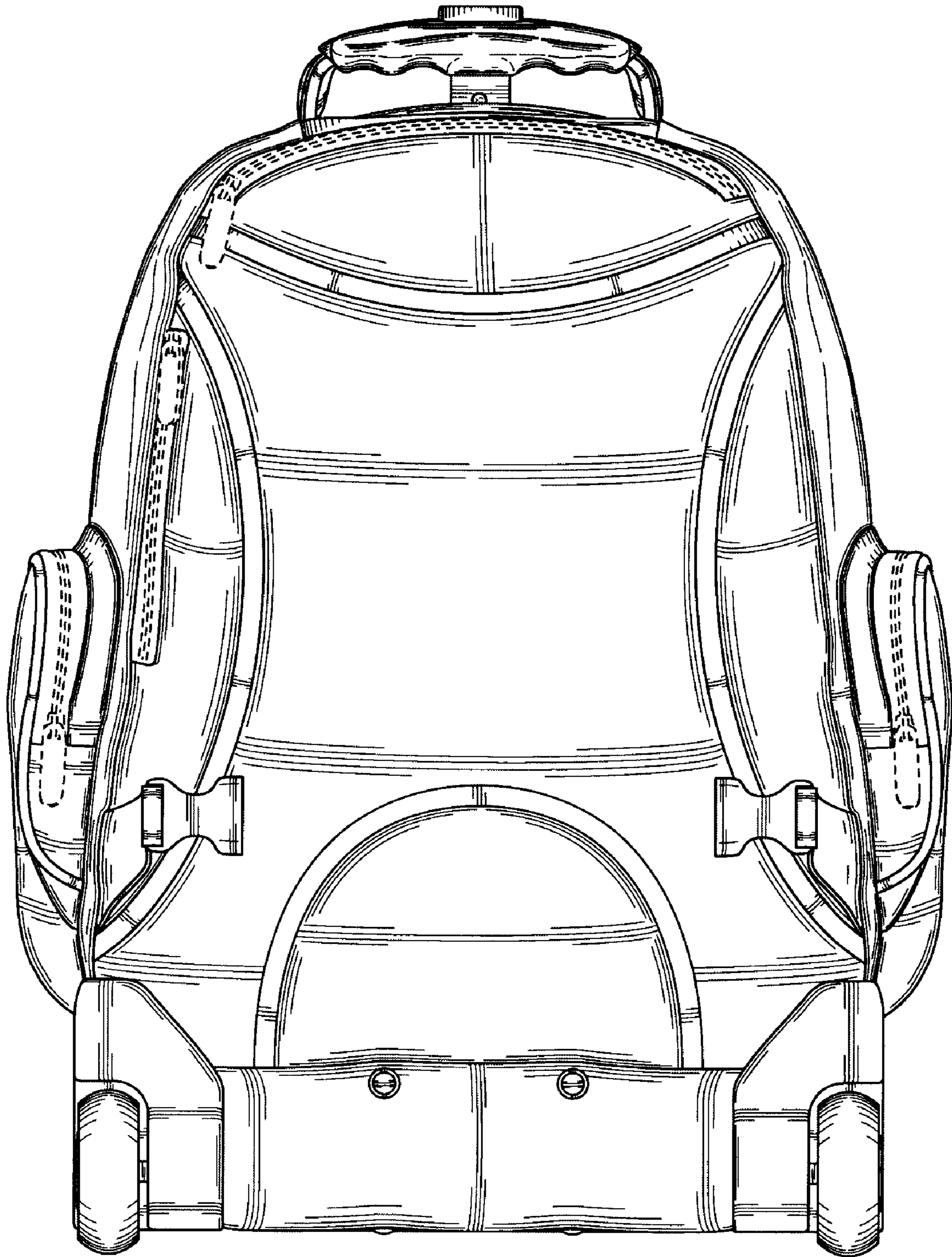


FIG. 3

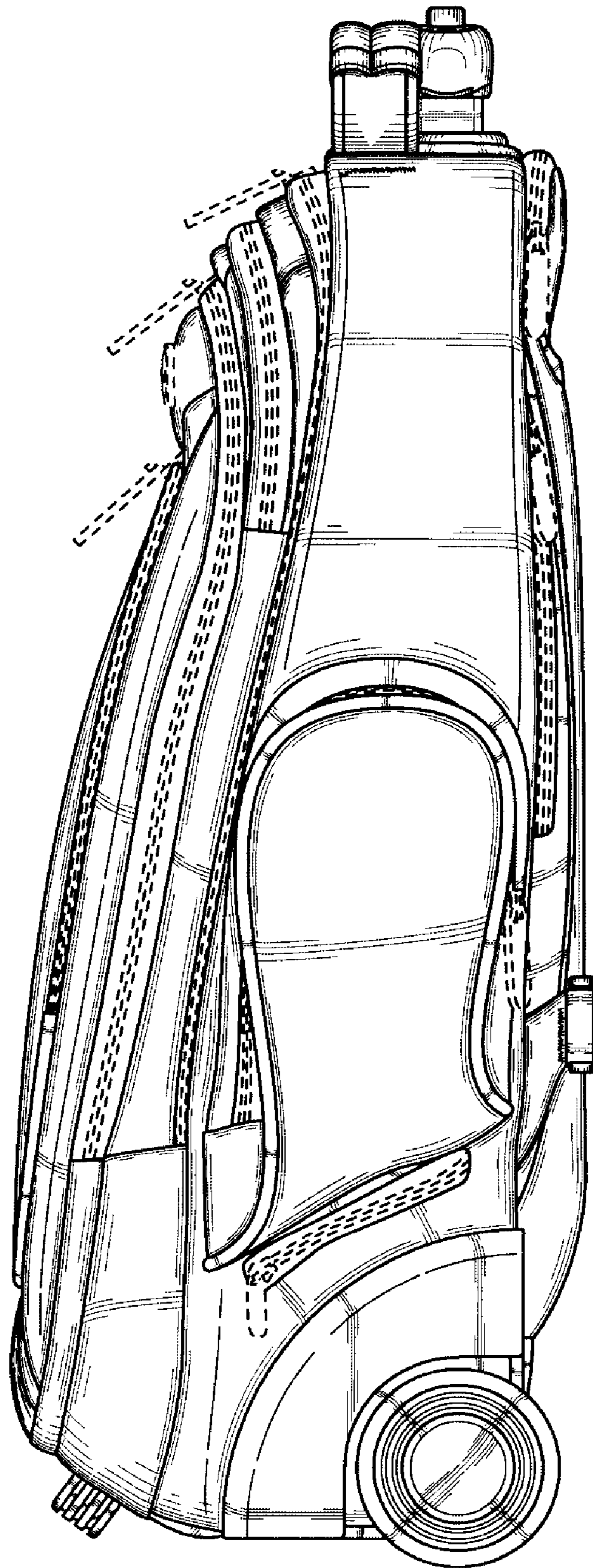


FIG. 4

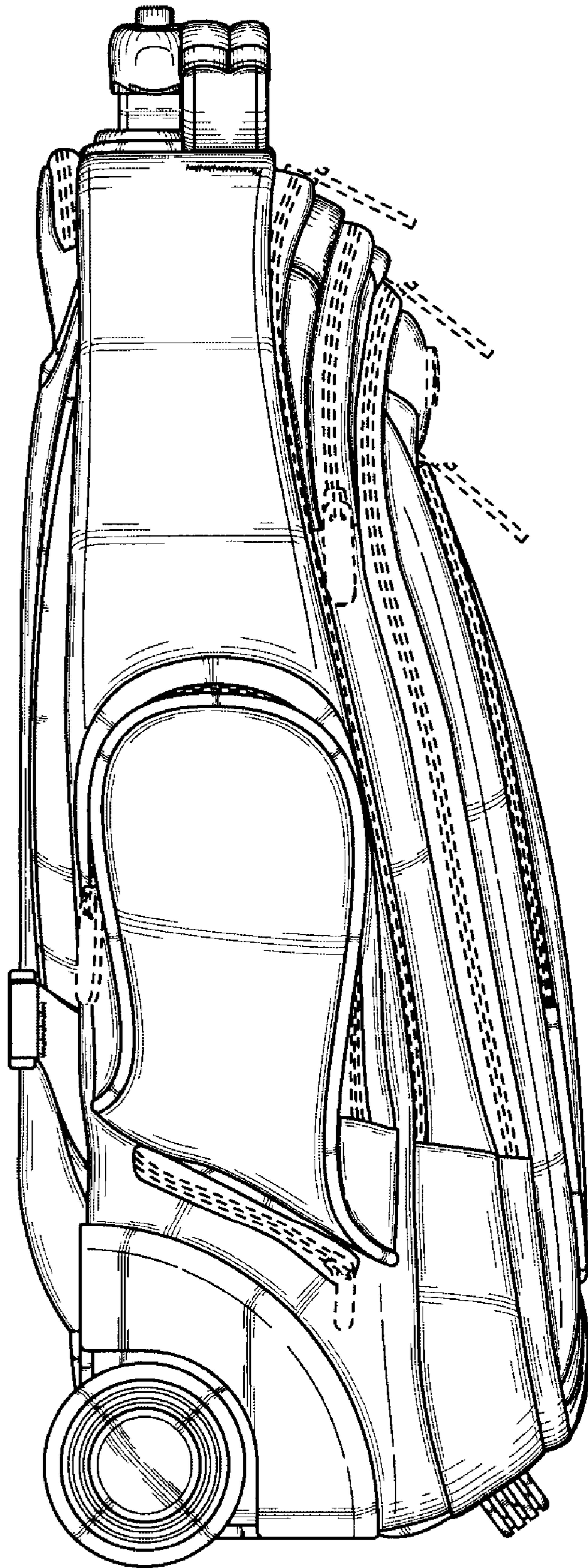


FIG. 5

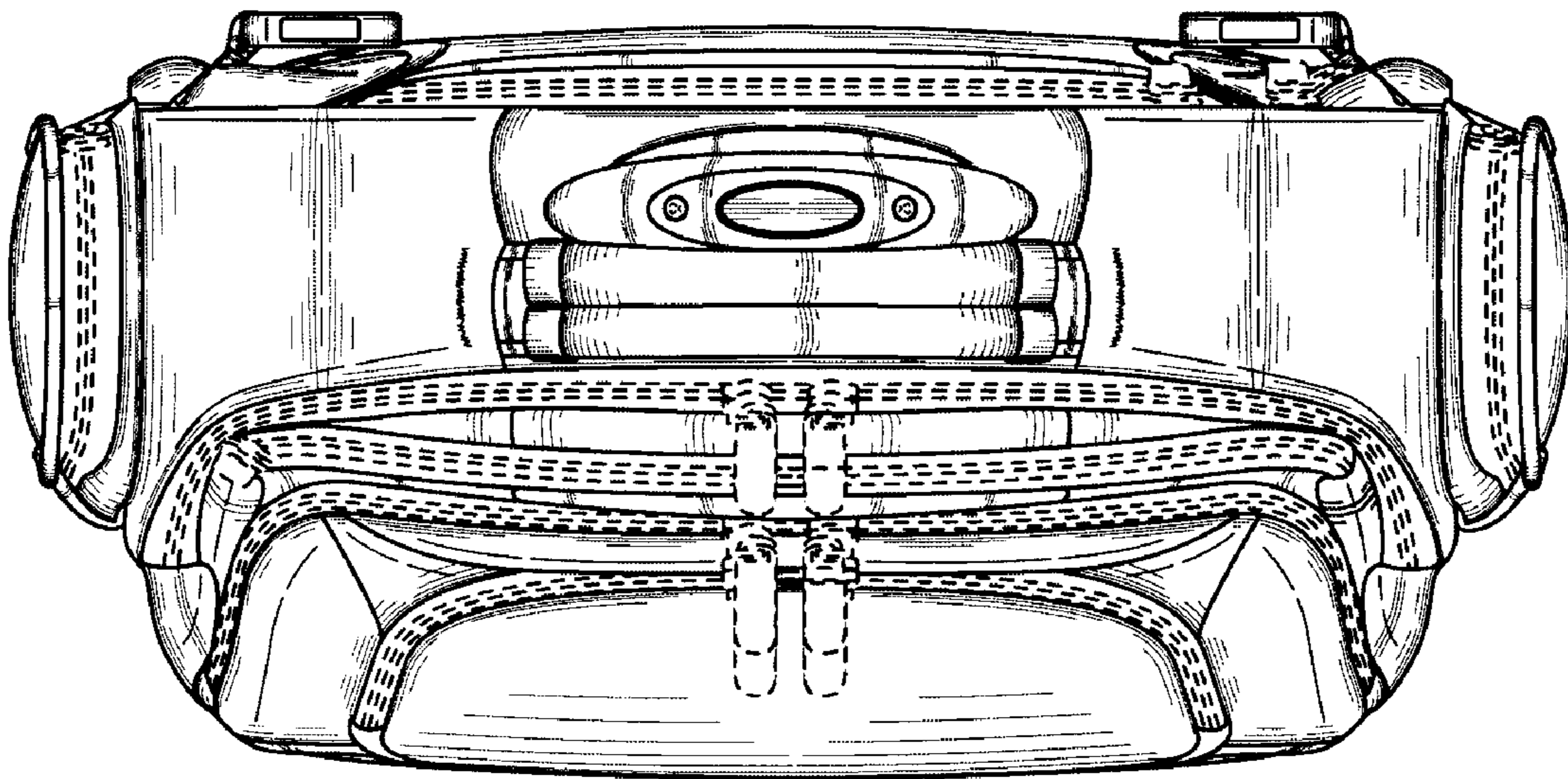


FIG. 6

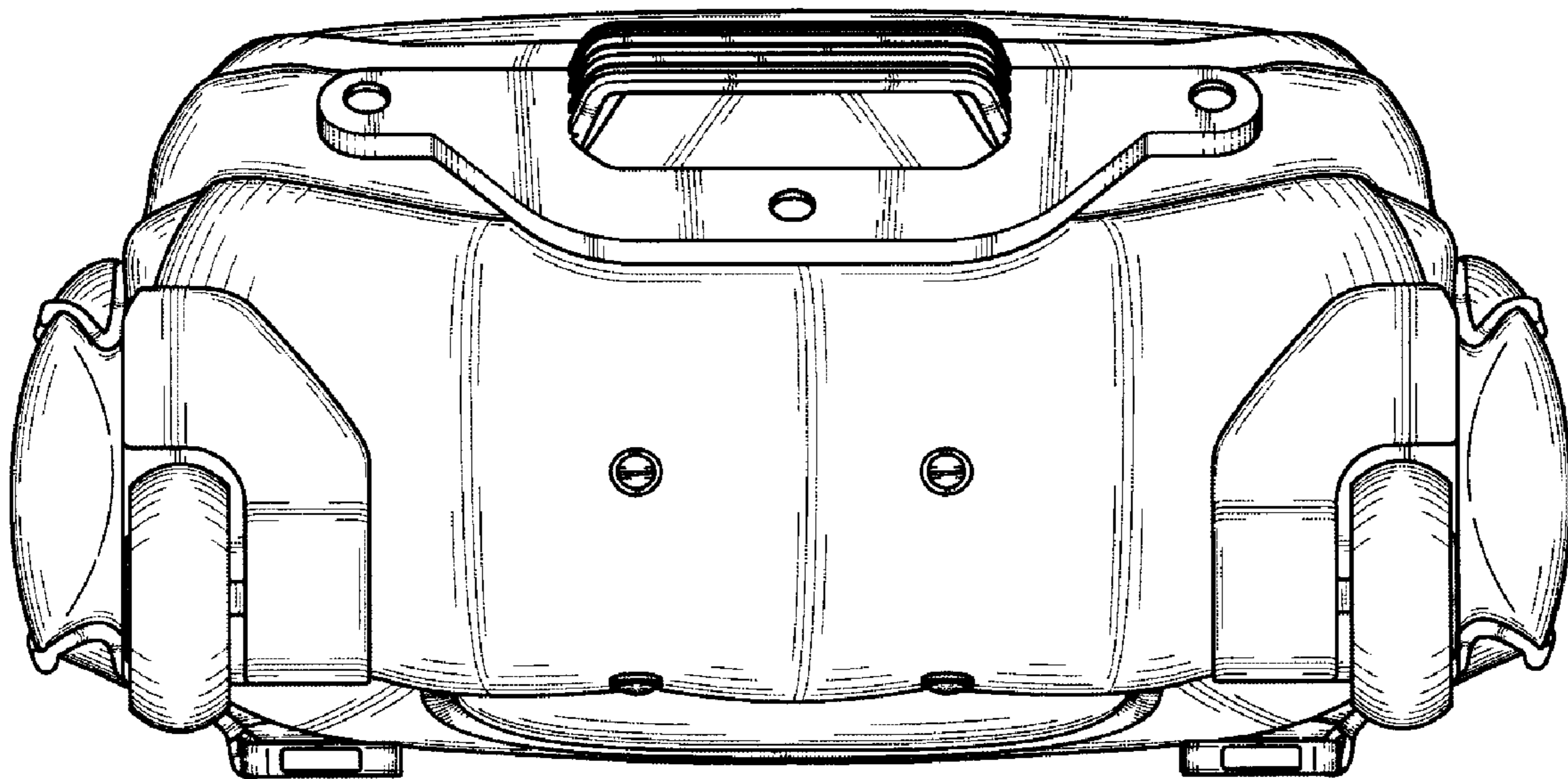


FIG. 7