



US00D553342S

(12) **United States Design Patent** (10) **Patent No.:** **US D553,342 S**  
**Fullum** (45) **Date of Patent:** **\*\* Oct. 23, 2007**

(54) **PORTION OF A SHOE UPPER**  
(75) Inventor: **Jean-Francois Fullum**, Portland, OR (US)  
(73) Assignee: **Nike, Inc.**, Beaverton, OR (US)  
(\*\*) Term: **14 Years**  
(21) Appl. No.: **29/280,712**  
(22) Filed: **Jun. 5, 2007**

(51) **LOC (8) Cl.** ..... **02-99**  
(52) **U.S. Cl.** ..... **D2/972**  
(58) **Field of Classification Search** ..... D2/902,  
D2/904, 906-908, 943, 944, 947, 969, 972-974;  
36/45, 50.1, 77 M, 77 R, 83, 88, 113, 114,  
36/126-131

See application file for complete search history.

(56) **References Cited**

**U.S. PATENT DOCUMENTS**

D298,283 S	11/1988	Swett et al.	
D307,509 S	5/1990	Kittle	
D355,756 S	2/1995	Vestuti	
D377,262 S	1/1997	Lucas	
D384,196 S	9/1997	Hatfield	
D386,296 S *	11/1997	Lozano	D2/972
D398,762 S *	9/1998	McDowell et al.	D2/972
D404,555 S *	1/1999	Gray	D2/972
D447,857 S *	9/2001	Januszewski	D2/969
D487,337 S	3/2004	Rogers	
D487,954 S	4/2004	Hernandez	
D514,302 S *	2/2006	Young	D2/972
D514,801 S *	2/2006	Hui	D2/972
D516,291 S *	3/2006	Young	D2/972
D524,027 S *	7/2006	Cessor	D2/972
D528,277 S *	9/2006	Cessor	D2/972
D528,765 S	9/2006	Portzline	
D529,270 S *	10/2006	Cessor	D2/972
D533,711 S	12/2006	Hlavacs	

D533,988 S *	12/2006	Minami	D2/972
D536,862 S	2/2007	Matis et al.	
D544,685 S *	6/2007	Mermet	D2/972
D544,688 S *	6/2007	Fullum	D2/972

**OTHER PUBLICATIONS**

Nike Footwear Catalog, Fall 1997, pp. 58, 143, 210, published Dec. 1996.  
Nike Footwear Catalog, Late Spring 1998, p. 232, published Sep. 1997.  
Nike Footwear Catalog, Spring 1999, pp. 30W, 31W, published Jun. 1998.  
Nike Footwear Catalog, Fall 1999, p. 27M, published Nov. 1998.  
Nike Footwear Catalog, Spring 2004, p. 16W, published Jun. 2003.  
Nike Footwear Catalog, Fall 2005, p. 19, published Nov. 2004.  
Nike Footwear Catalog, Spring 2006, pp. 10, 22, 125, published Jun. 2005.  
Nike Footwear Catalog, Fall 2006, p. 151, published Nov. 2005.  
Nike Footwear Catalog, Spring 2007, p. 17, published Jun. 2006.

\* cited by examiner

*Primary Examiner*—Dominic Simone

(74) *Attorney, Agent, or Firm*—Banner & Witcoff, Ltd.

(57) **CLAIM**

The ornamental design for a portion of a shoe upper, as shown and described.

**DESCRIPTION**

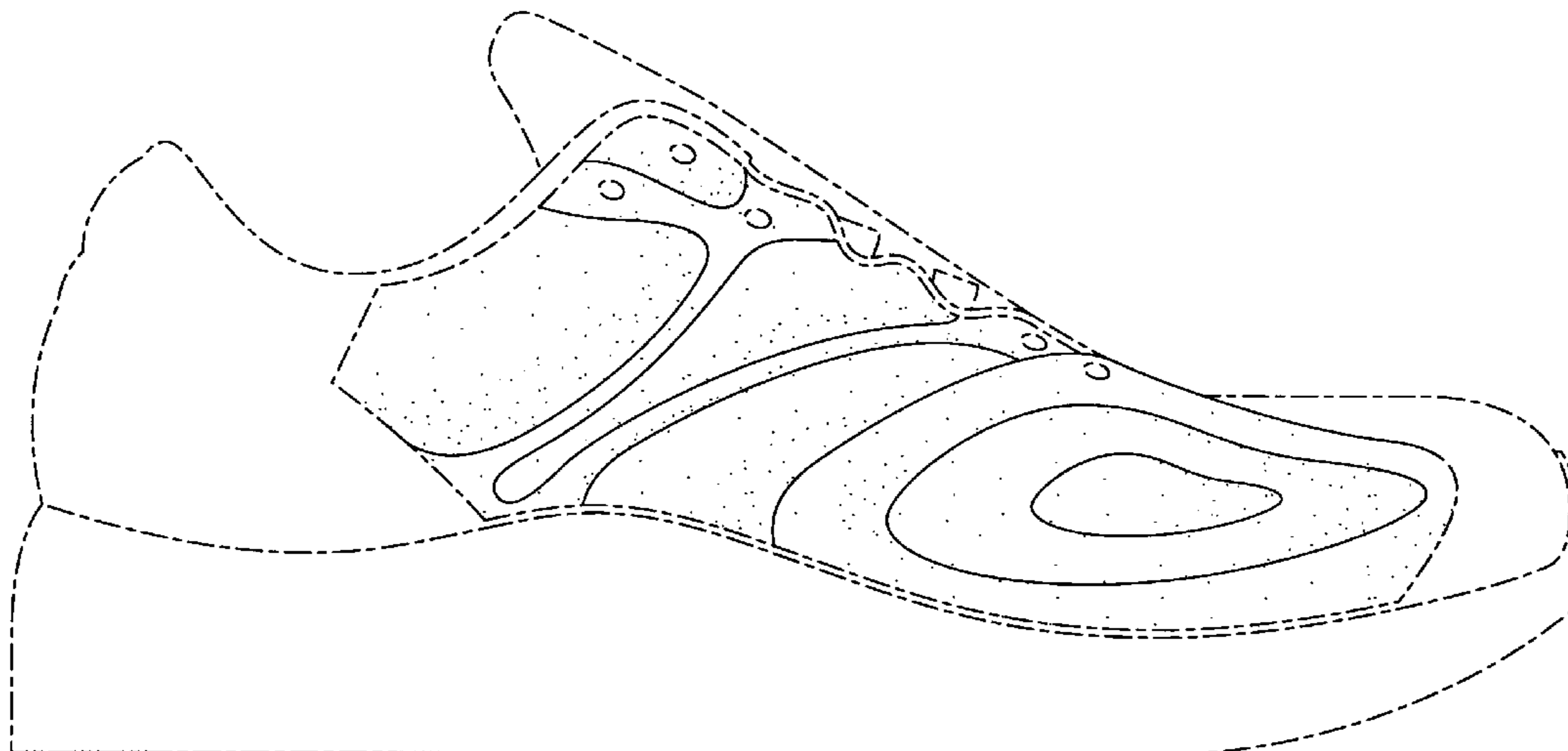
FIG. 1 is a front perspective view of a portion of a shoe showing my new design;

FIG. 2 is a rear perspective view thereof; and,

FIG. 3 is a side elevational view of one side thereof.

The uneven broken lines immediately adjacent to the shaded area represents unclaimed boundaries of the design. The broken line showing of the eyelets within the shaded area and the remainder of the shoe is for illustrative purposes only and forms no part of the claimed design.

**1 Claim, 3 Drawing Sheets**



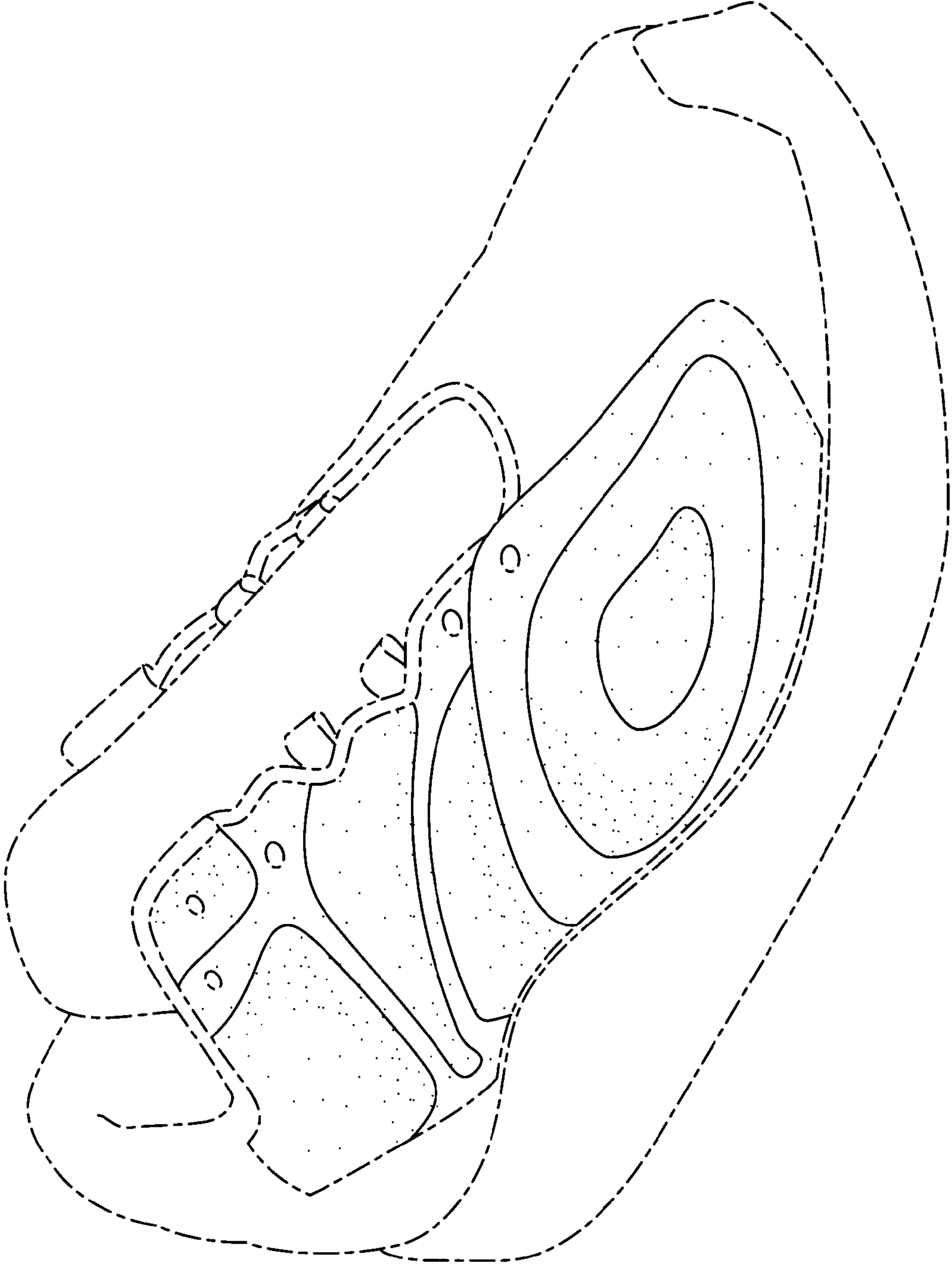


FIG. 1

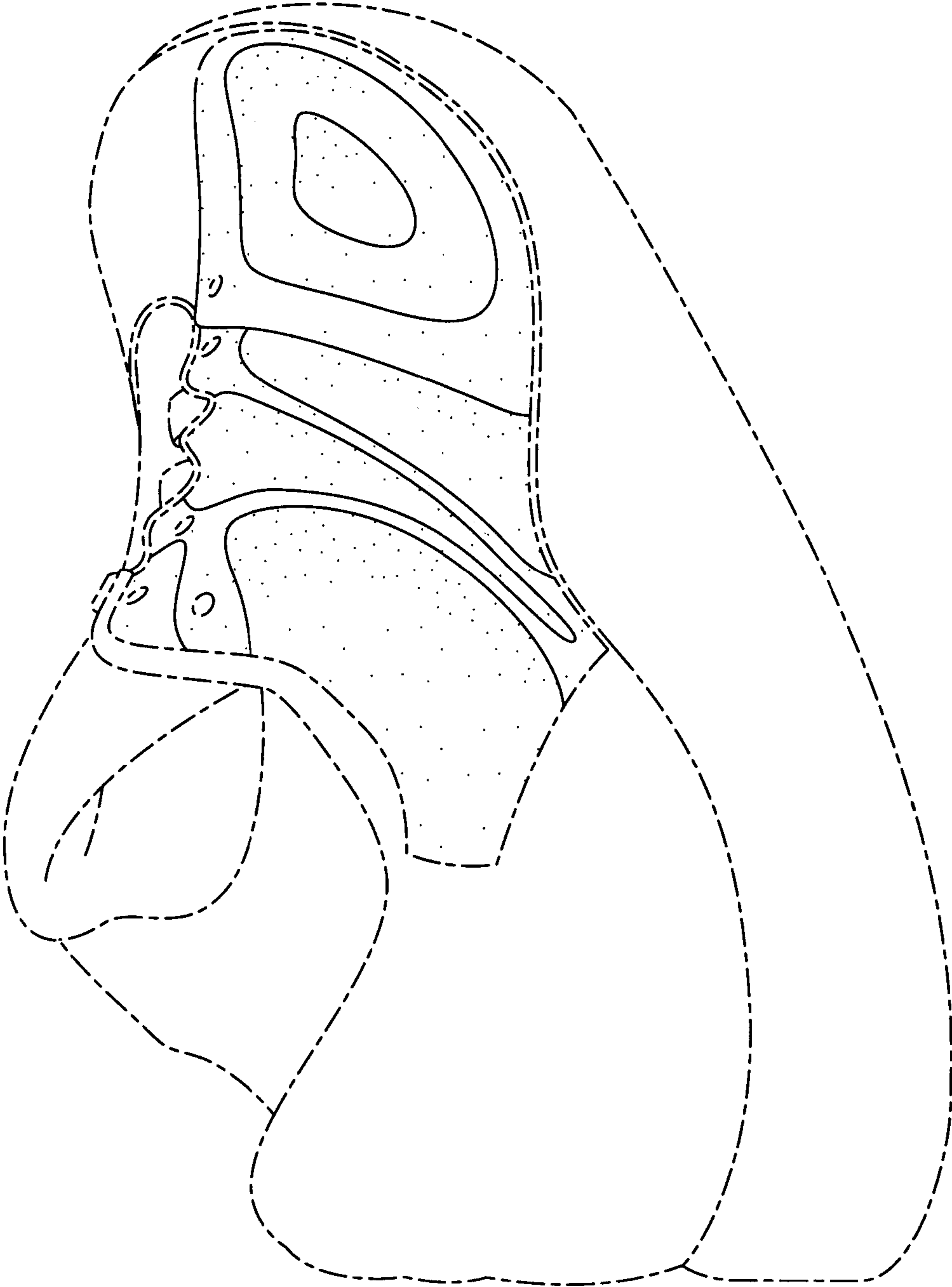


FIG. 2

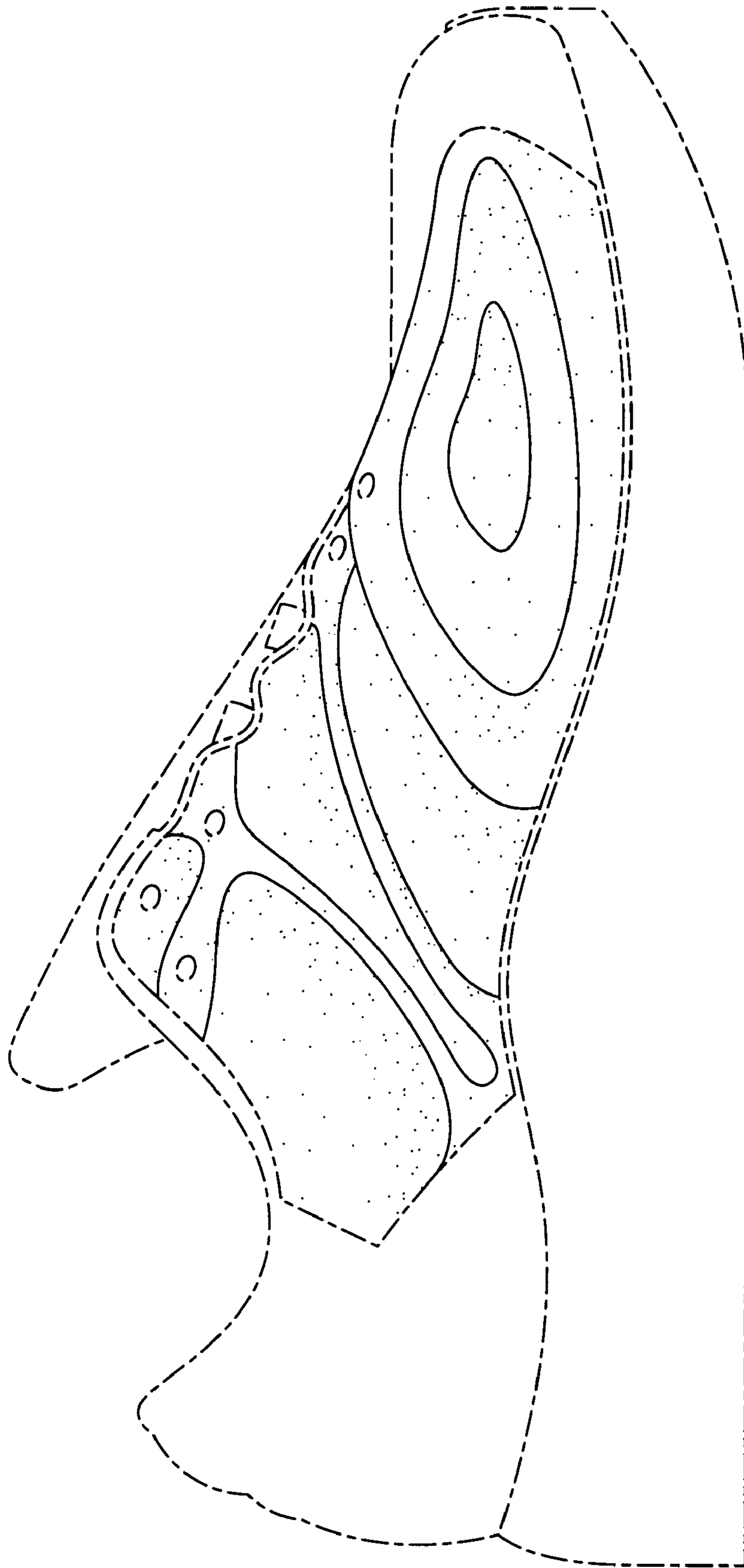


FIG. 3