



US00D553341S

(12) **United States Design Patent**
Dekovic

(10) **Patent No.:** **US D553,341 S**

(45) **Date of Patent:** **** Oct. 23, 2007**

- (54) **PORTION OF A SHOE UPPER**
- (75) Inventor: **Denis Dekovic**, Hillsboro, OR (US)
- (73) Assignee: **Nike, Inc.**, Beaverton, OR (US)
- (**) Term: **14 Years**
- (21) Appl. No.: **29/280,710**
- (22) Filed: **Jun. 5, 2007**
- (51) **LOC (8) Cl.** **02-99**
- (52) **U.S. Cl.** **D2/972**
- (58) **Field of Classification Search** D2/902,
D2/904, 906-908, 943, 944, 947, 969, 972-974;
36/45, 50.1, 77 M, 77 R, 83, 88, 113, 114,
36/126-131
See application file for complete search history.

- D522,732 S 6/2006 Cooper
- D522,734 S 6/2006 Lubrano
- D523,223 S 6/2006 Lotti
- D523,231 S 6/2006 Petrie
- D523,624 S 6/2006 Kuerbis
- D524,532 S 7/2006 Roulo
- D527,175 S 8/2006 Lee
- D527,885 S 9/2006 Young
- D527,887 S * 9/2006 Chen D2/972
- D528,283 S 9/2006 Holmes
- D528,284 S 9/2006 Cessor
- D528,763 S * 9/2006 Rask D2/972
- D529,271 S 10/2006 Kuerbis
- D532,194 S * 11/2006 Cessor D2/972
- D532,195 S 11/2006 Rasmussen
- D532,592 S 11/2006 Chang
- D537,618 S 3/2007 Huthmaker

(56) **References Cited**

U.S. PATENT DOCUMENTS

- D386,597 S * 11/1997 Avar D2/972
- D388,950 S 1/1998 Hewett et al.
- D393,360 S 4/1998 Aveni et al.
- D395,745 S 7/1998 Rask
- D397,242 S * 8/1998 Mankowski D2/972
- D397,859 S 9/1998 Cass
- D398,764 S * 9/1998 Hlavacs D2/972
- D409,366 S 5/1999 Duggan
- D413,196 S 8/1999 Hatfield
- D420,499 S 2/2000 Dolinsky
- D429,556 S 8/2000 Vestuti
- D440,756 S 4/2001 Cooper
- D442,360 S * 5/2001 Holmes D2/972
- D467,412 S 12/2002 Morris
- D474,011 S 5/2003 Smith
- D476,473 S 7/2003 Clegg
- D477,131 S * 7/2003 Holmes D2/972
- D485,052 S 1/2004 Holmes
- D495,867 S 9/2004 Avar
- D499,539 S 12/2004 Hlavacs
- D504,218 S * 4/2005 Link D2/972
- D510,477 S 10/2005 McDowell
- D513,778 S 1/2006 Howard
- D520,226 S 5/2006 Lotti
- D520,227 S 5/2006 Portzline
- D521,227 S 5/2006 Mermet
- D522,225 S 6/2006 Holmes

OTHER PUBLICATIONS

Nike Footwear Catalog, Fall 1994, p. 40, published Nov. 1993.

(Continued)

Primary Examiner—Dominic Simone
(74) *Attorney, Agent, or Firm*—Banner & Witcoff, Ltd.

(57) **CLAIM**

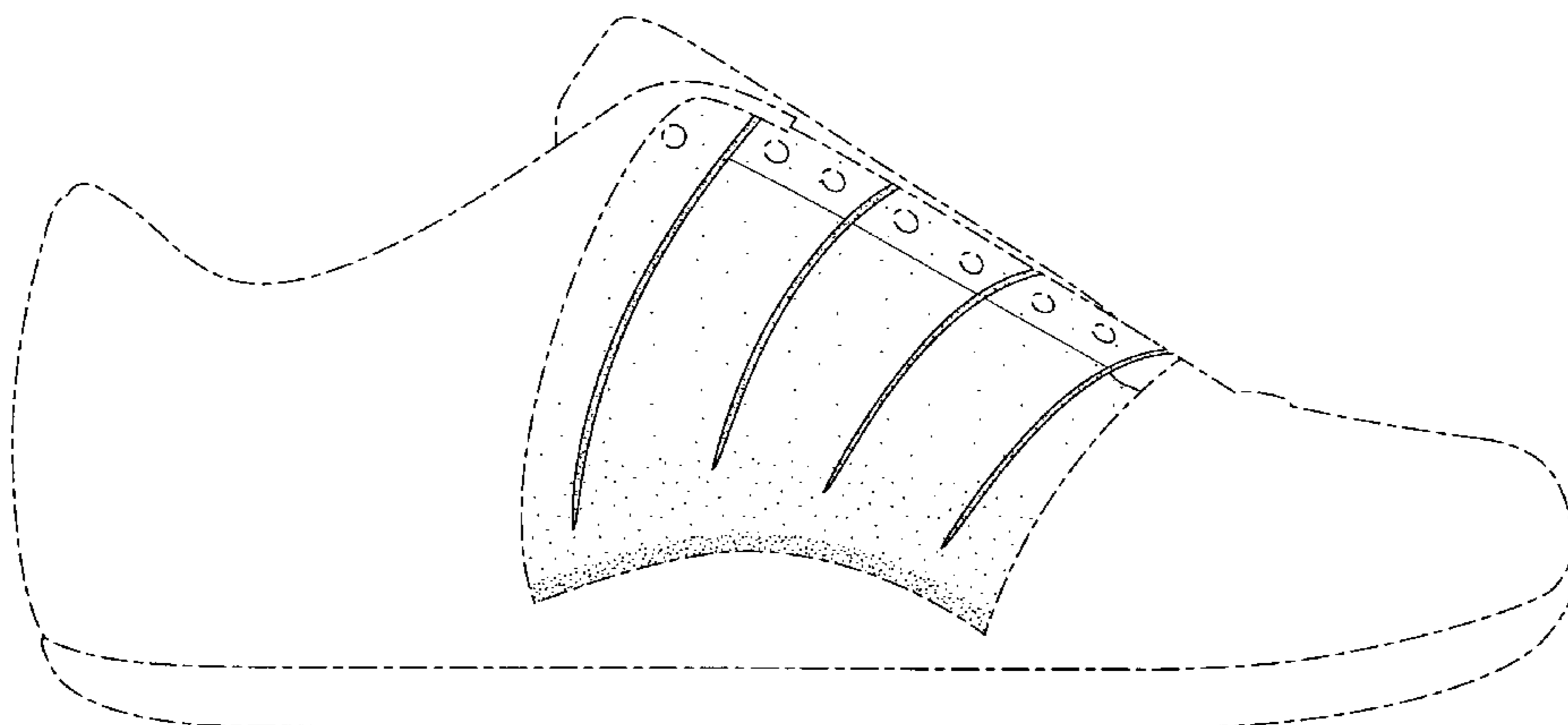
The ornamental design for a portion of a shoe upper, as shown and described.

DESCRIPTION

FIG. 1 is a front perspective view of a portion of a shoe upper showing my new design;
 FIG. 2 is a rear perspective view thereof; and,
 FIG. 3 is a side view thereof.

The uneven broken lines immediately adjacent to the shaded region represent unclaimed boundaries of the design. The broken line showing of the eyelets within the shaded region and the remainder of the shoe is for illustrative purposes only and forms no part of the claimed design.

1 Claim, 3 Drawing Sheets



OTHER PUBLICATIONS

Nike Footwear Catalog, Holiday 1996, p. 79, published Mar. 1996.
Nike Footwear Catalog, Spring 1996, pp. 29, 131, published Jun. 1995.
Nike Footwear Catalog, Holiday 1997, pp. 9, 111, published Mar. 1997.
Nike Footwear Catalog, Late Spring 1997, p. 20, published Sep. 1996.
Nike Footwear Catalog, Fall 1997, p. 105, published Dec. 1996.
Nike Footwear Catalog, Spring 1997, p. 18, published Jun. 1996.
Nike Footwear Catalog, Holiday 1998, p. M133, published Feb. 1998.

Nike Footwear Catalog, Spring 2000 #2, pp. W8, W12, published Jul. 1999.

Nike Footwear Catalog, Holiday 2003, p. M53, published Mar. 2003.

Nike Footwear Catalog, Late Spring 2004, pp. W12, W23, published Sep. 2003.

Nike Footwear Catalog, Holiday 2005, p. M25, published Mar. 2005.

Nike Footwear Catalog, Spring 2005, p. W23, published Jun. 2004.

Nike Footwear Catalog, Holiday 2006, p. 133, published Mar. 2006.

* cited by examiner

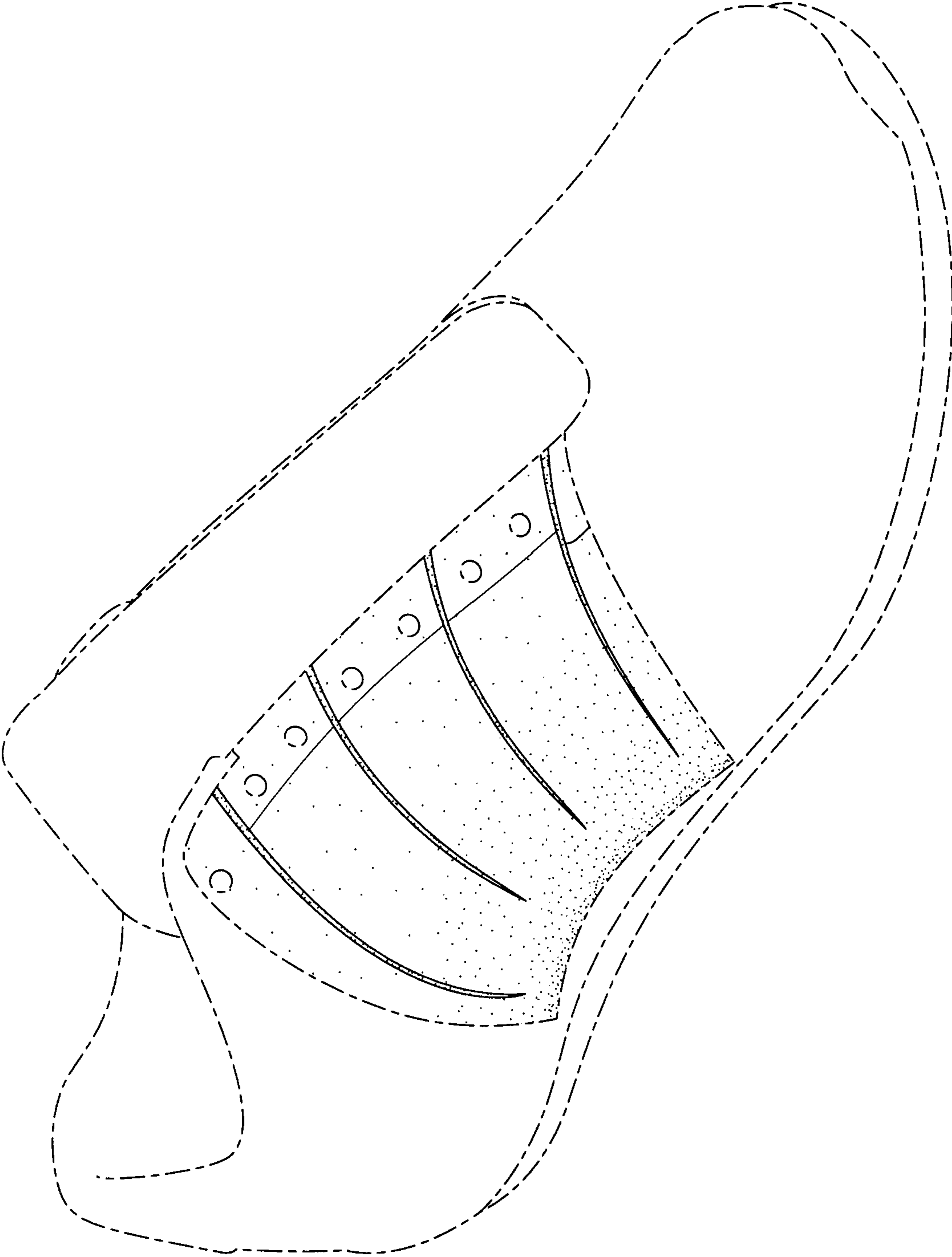


FIG. 1

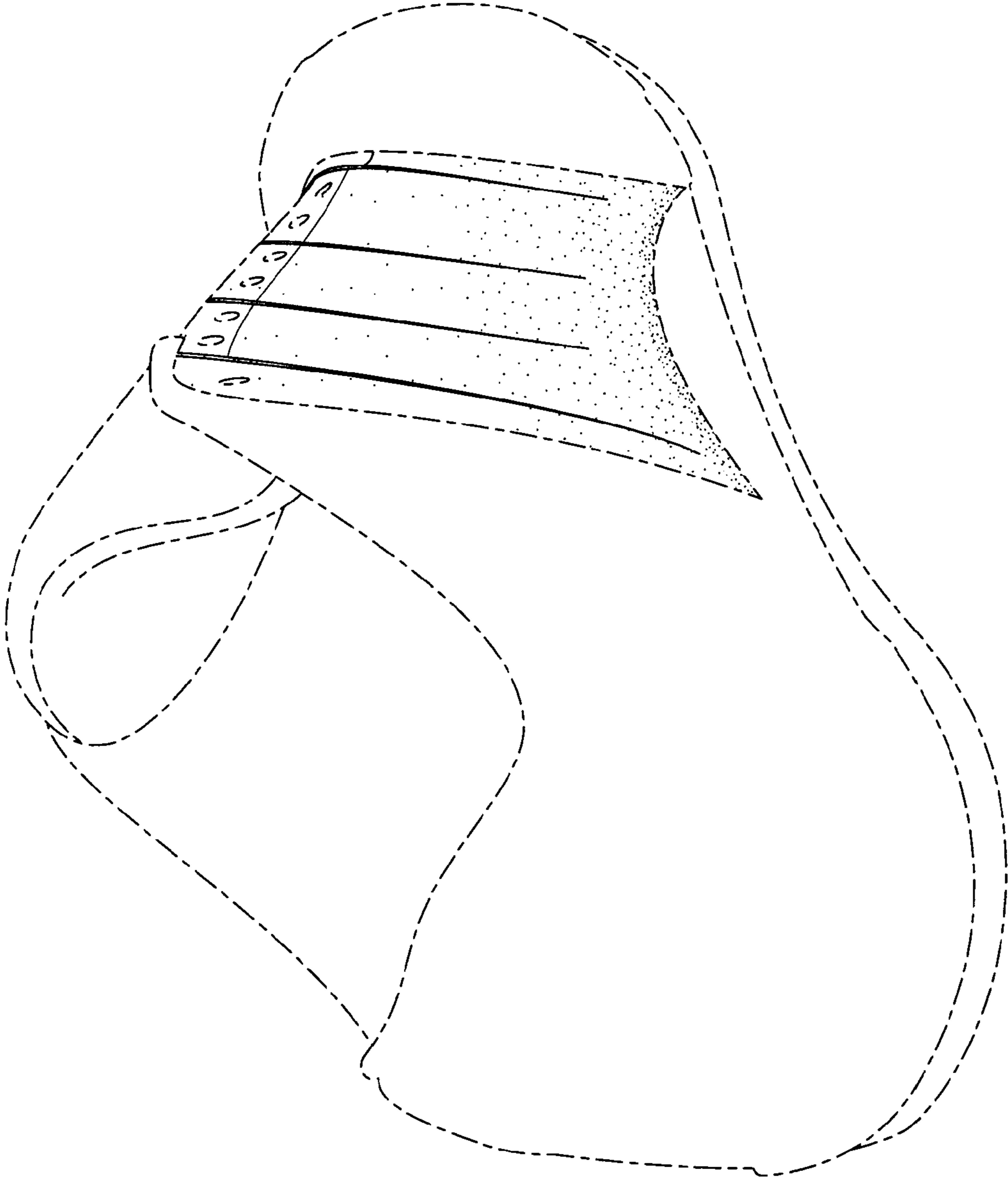


FIG. 2

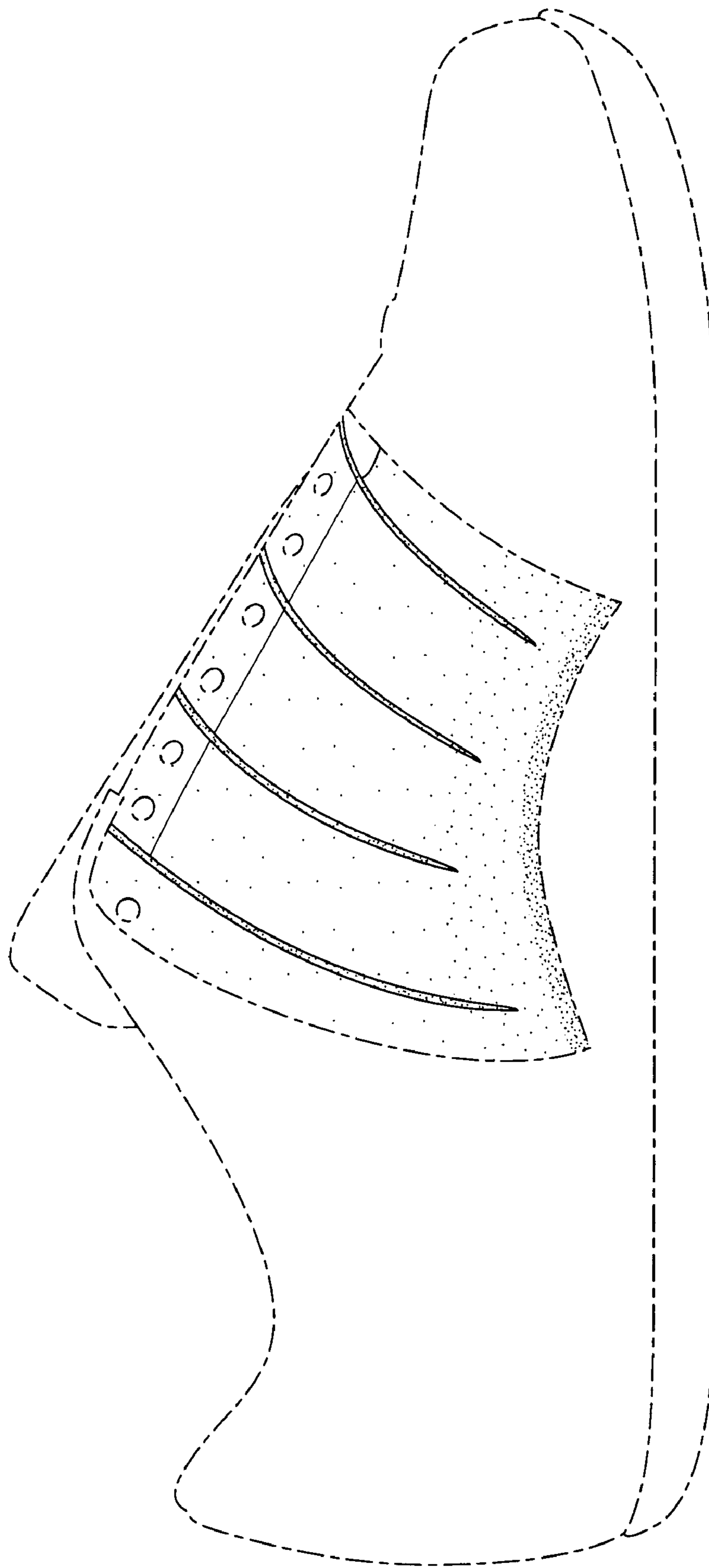


FIG. 3