



US00D553330S

(12) **United States Design Patent**  
**Wager**

(10) **Patent No.:** **US D553,330 S**

(45) **Date of Patent:** **\*\* Oct. 23, 2007**

(54) **HOODED JACKET**

(75) Inventor: **Robert Wager**, Hillsborough, NJ (US)

(73) Assignee: **KBS Apparel Group**, Hillsborough, NJ (US)

(\*\*) Term: **14 Years**

(21) Appl. No.: **29/241,918**

(22) Filed: **Nov. 2, 2005**

(51) **LOC (8) Cl.** ..... **02-02**

(52) **U.S. Cl.** ..... **D2/831**

(58) **Field of Classification Search** ..... D2/717,  
D2/718, 724, 725, 728, 749-751, 828-831,  
D2/833, 834, 836, 837, 839, 840-842, 844-850,  
D2/853, 857, 860-864; 2/445, 44-46, 459-462,  
2/50, 51, 77, 84-87, 93-96, 100-102, 106,  
2/108, 113-115, 121, 122, 247, 123; D3/215-217;  
D29/100-101.4

See application file for complete search history.

(56) **References Cited**

**U.S. PATENT DOCUMENTS**

1,592,562	A *	7/1926	Graham	.....	2/84
3,698,014	A *	10/1972	Little et al.	.....	2/84
4,404,687	A *	9/1983	Hager	.....	2/94
4,476,587	A *	10/1984	Itoi	.....	2/94
4,495,659	A *	1/1985	Madnick et al.	.....	2/66
4,860,388	A *	8/1989	Dean	.....	2/247

5,119,510	A *	6/1992	Schilling	.....	2/4
5,640,715	A *	6/1997	Adams	.....	2/46
6,405,377	B1 *	6/2002	Davis	.....	2/94
D478,708	S *	8/2003	Miros et al.	.....	D2/831
D482,244	S *	11/2003	Yamane	.....	D7/625
6,839,911	B1 *	1/2005	Mathews	.....	2/93
D523,633	S *	6/2006	Arnold	.....	D3/271.4
2002/0142112	A1 *	10/2002	Tarrell	.....	428/17

\* cited by examiner

*Primary Examiner*—Ian Simmons

*Assistant Examiner*—R. Johnson

(74) *Attorney, Agent, or Firm*—Green + Pagano, LLP

(57) **CLAIM**

The ornamental design for a hooded jacket, as shown and described.

**DESCRIPTION**

FIG. 1 is a front elevational view of a hooded jacket showing my new design;

FIG. 2 is a left side elevational view thereof;

FIG. 3 is a right side elevational view thereof.

FIG. 4 is a rear elevational view thereof; and,

FIG. 5 is a top plan view thereof.

Wherein the broken lines are boundaries that form no part of the design to be patented.

**1 Claim, 4 Drawing Sheets**

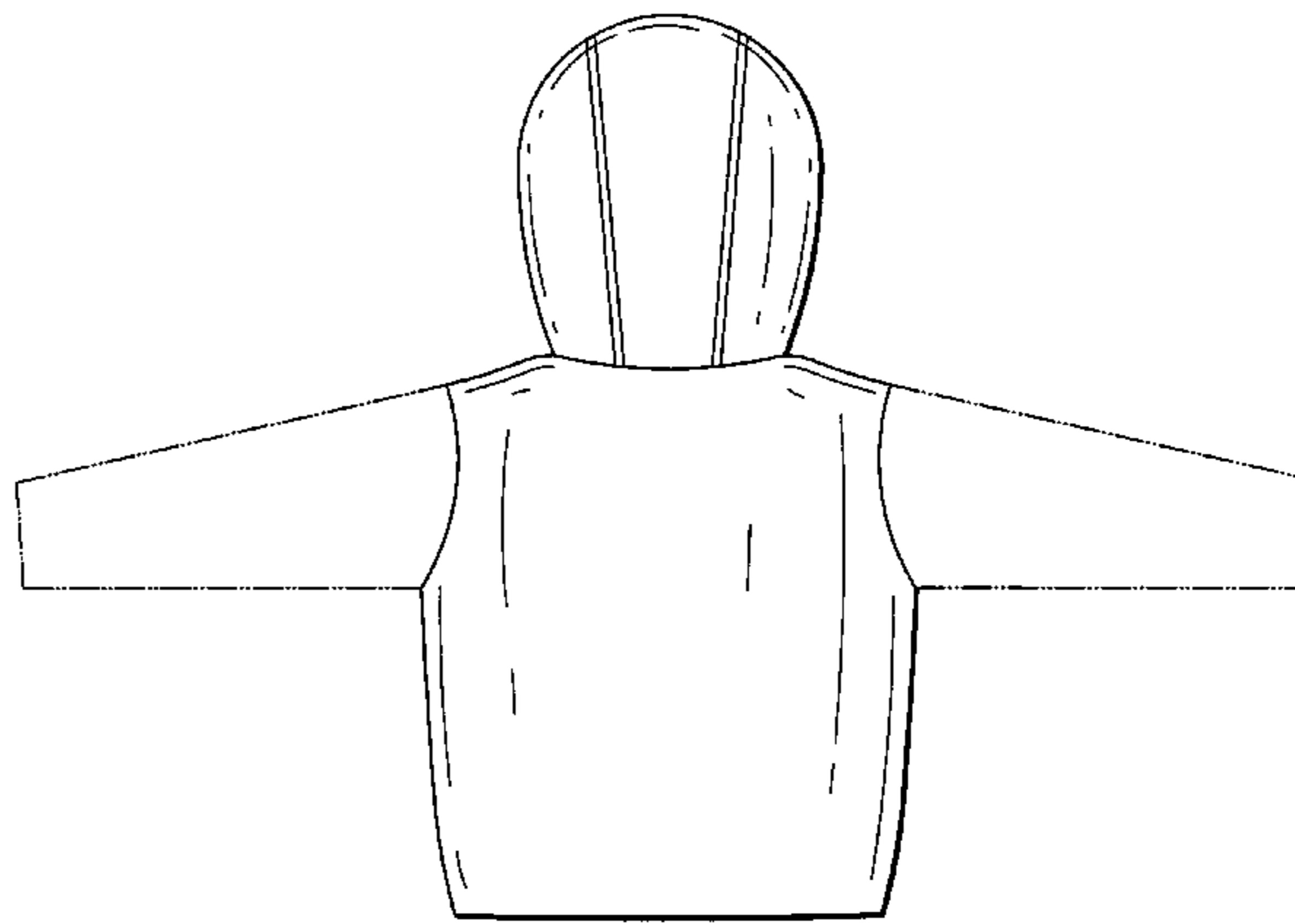
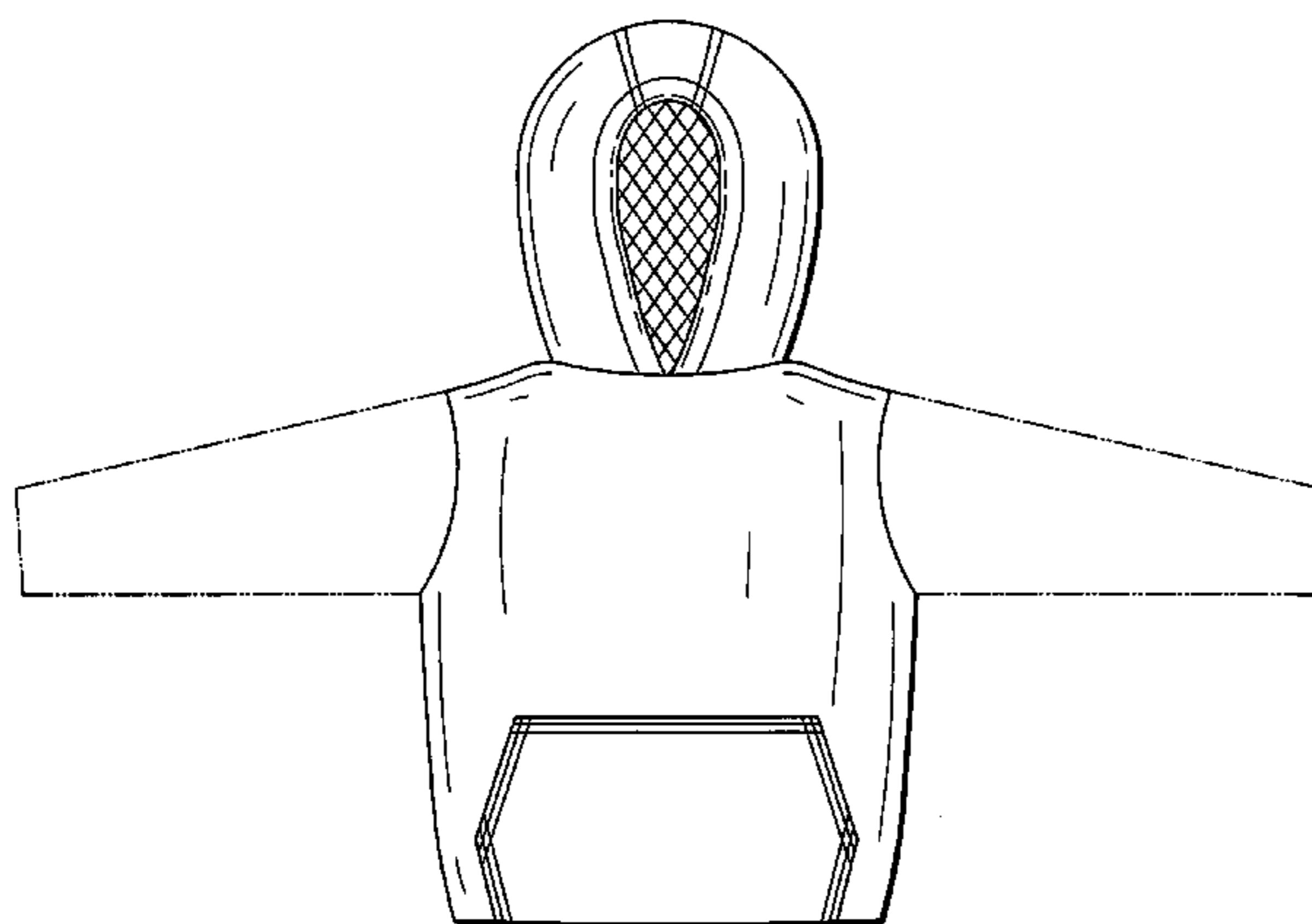


FIG. 1

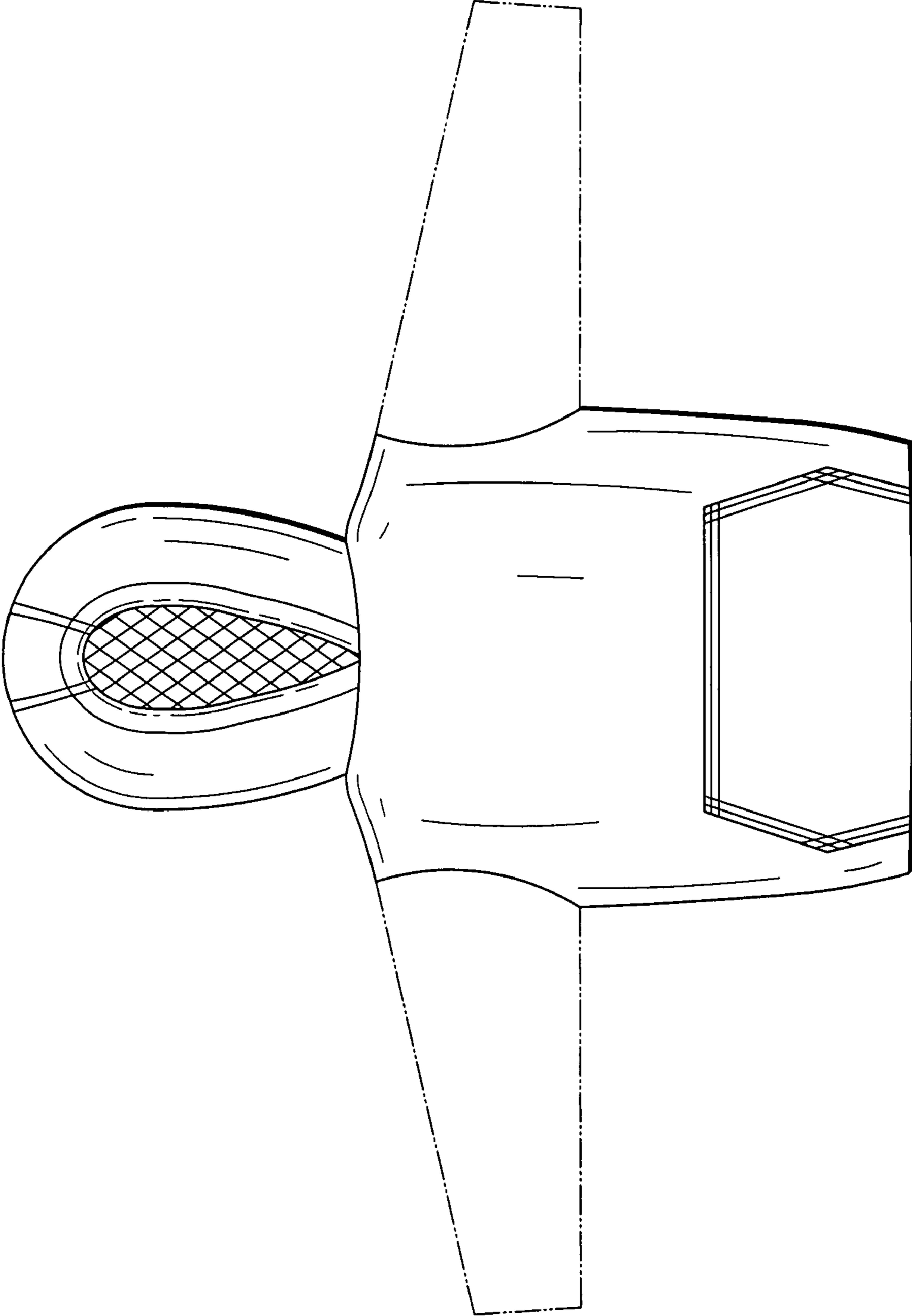


FIG. 3

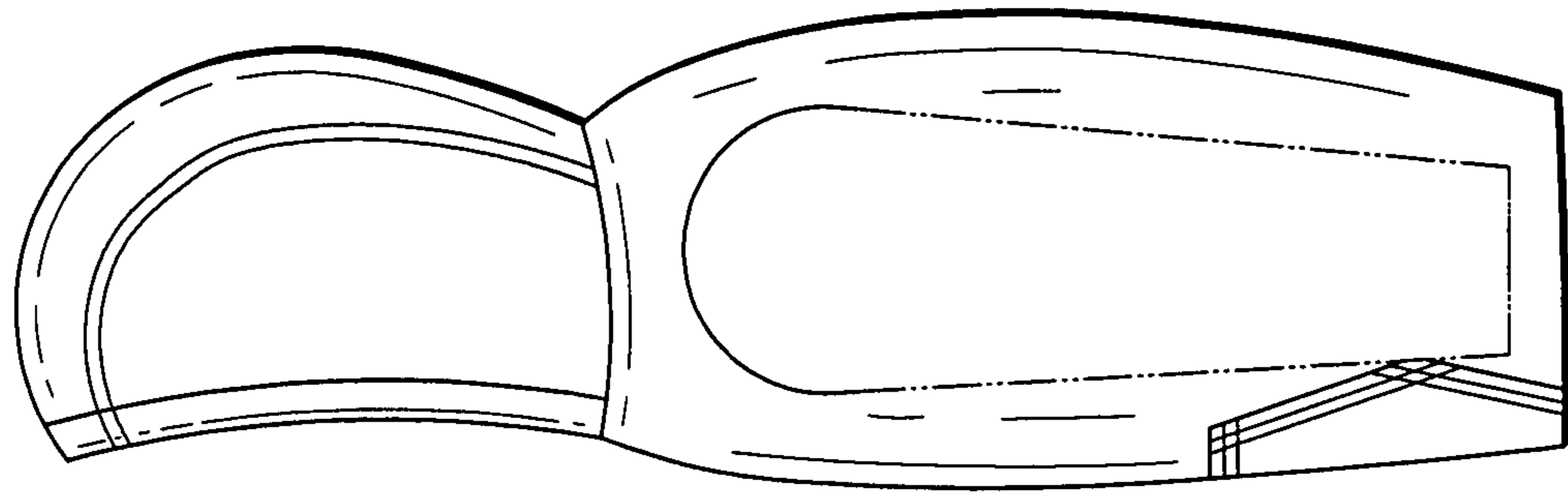


FIG. 2

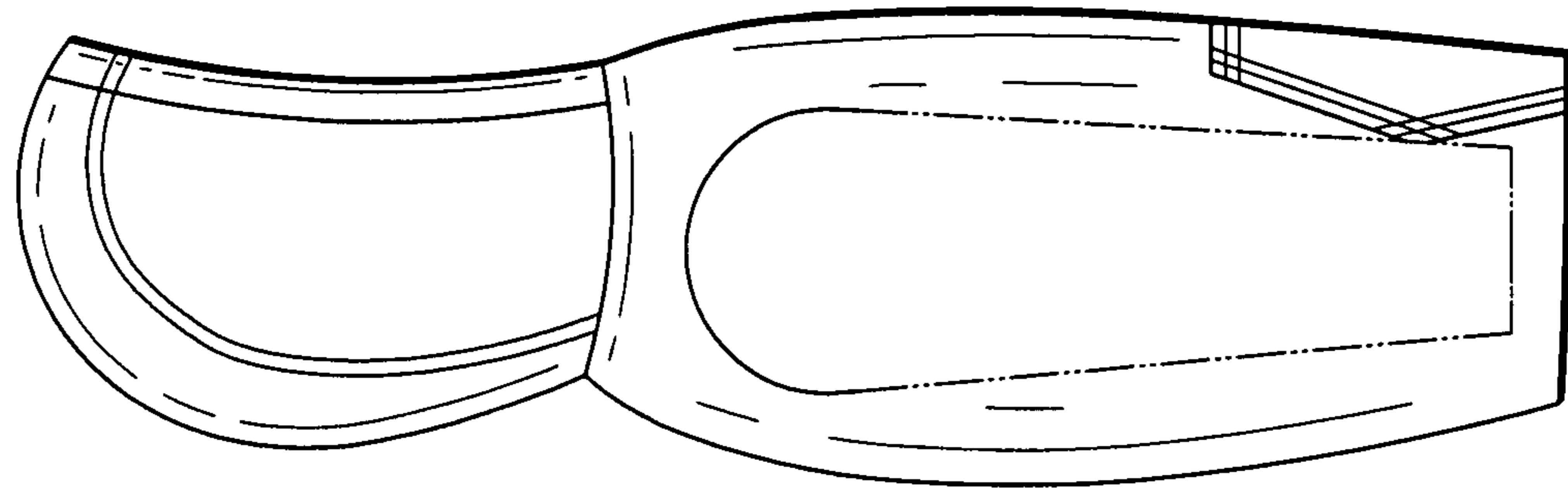


FIG. 4

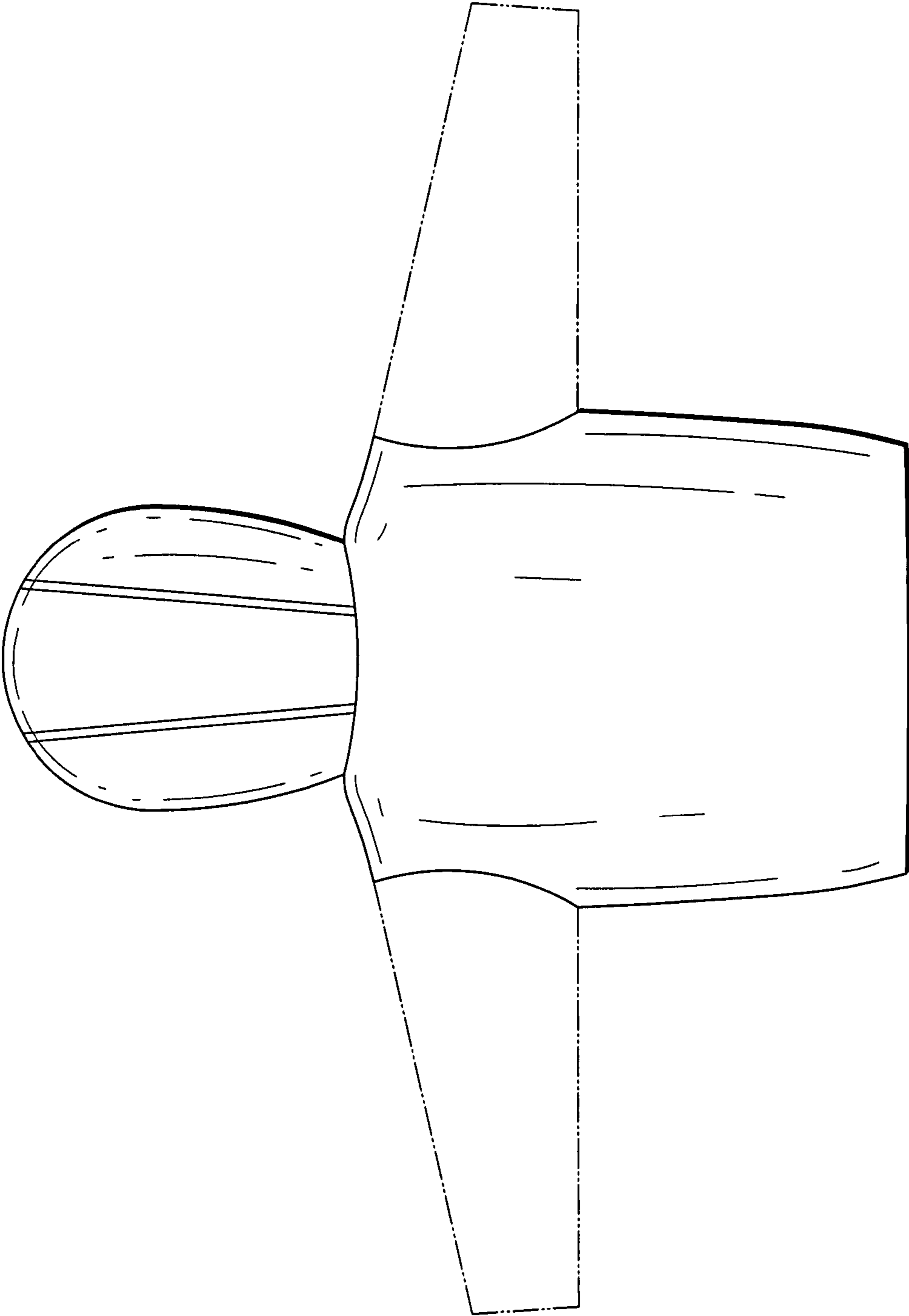


FIG. 5

