



US00D553329S

(12) **United States Design Patent**  
**Wager**

(10) **Patent No.:** **US D553,329 S**

(45) **Date of Patent:** **\*\* Oct. 23, 2007**

(54) **HOODED JACKET**

(76) **Inventor:** **Robert Wager**, 817 Ten Eyek Ct.,  
Hillsborough, NJ (US) 08844

(\*\*) **Term:** **14 Years**

(21) **Appl. No.:** **29/241,917**

(22) **Filed:** **Nov. 2, 2005**

(51) **LOC (8) Cl.** ..... **02-02**

(52) **U.S. Cl.** ..... **D2/831**

(58) **Field of Classification Search** ..... D2/717,  
D2/718, 724, 725, 728, 749-751, 828-831,  
D2/833, 834, 836, 837, 839, 840-842, 844-850,  
D2/853, 857, 860-864; 2/455, 44-46, 459-462,  
2/50, 51, 77, 84-87, 93-96, 100-102, 106,  
2/108, 113-115, 121, 122, 247, 123; D3/215-217;  
D29/100-101.4

See application file for complete search history.

(56) **References Cited**

**U.S. PATENT DOCUMENTS**

- 1,592,562 A \* 7/1926 Graham ..... 2/84
- 2,462,361 A \* 2/1949 Cassens ..... 2/108
- D155,555 S \* 10/1949 Strassner ..... D2/836
- D181,082 S \* 9/1957 Warmflash ..... D2/833
- 3,698,014 A \* 10/1972 Little et al. .... 2/84
- 4,079,466 A \* 3/1978 Rosenstein ..... 2/87

- 4,507,805 A \* 4/1985 Calutoiu ..... 2/69.5
- 4,573,218 A \* 3/1986 Saggs ..... 2/93
- D414,013 S \* 9/1999 Group ..... D2/828
- D476,793 S \* 7/2003 Leahy et al. .... D2/829
- D478,708 S \* 8/2003 Miros et al. .... D2/831
- D506,594 S \* 6/2005 Corris ..... D2/829
- 2003/0188371 A1 \* 10/2003 Duhammel et al. .... 2/102

\* cited by examiner

*Primary Examiner*—Ian Simmons

*Assistant Examiner*—R. Johnson

(74) *Attorney, Agent, or Firm*—Green & Pagano, LLP

(57) **CLAIM**

The ornamental design for a hooded jacket, as shown and described.

**DESCRIPTION**

FIG. 1 is a front elevational view of a hooded jacket showing my new design;

FIG. 2 is a left side elevational view thereof;

FIG. 3 is a right side elevational view thereof.

FIG. 4 is a rear elevational view thereof; and,

FIG. 5 is a top plan view thereof.

Wherein the broken lines are boundaries that form no part of the design to be patented.

**1 Claim, 4 Drawing Sheets**

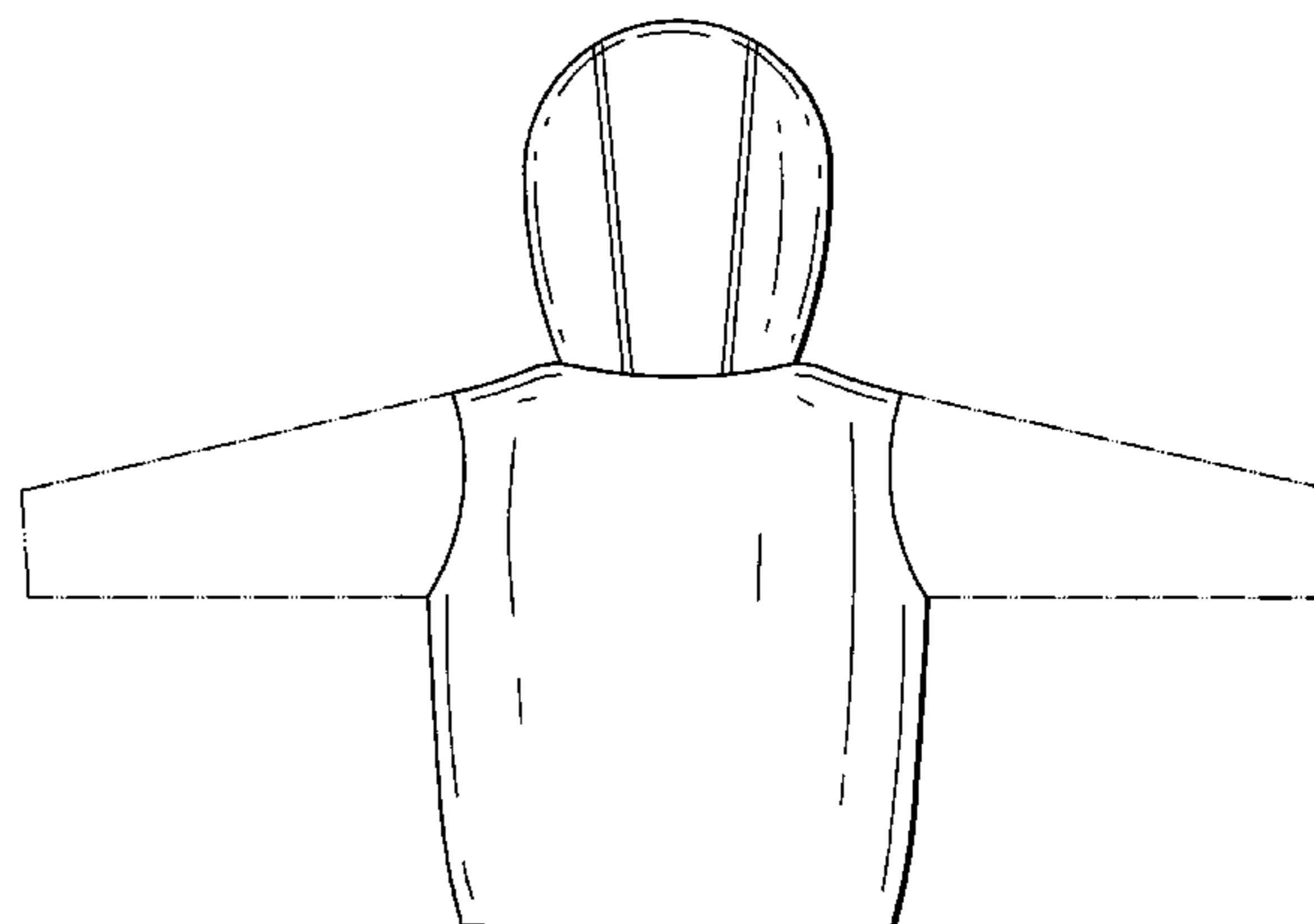
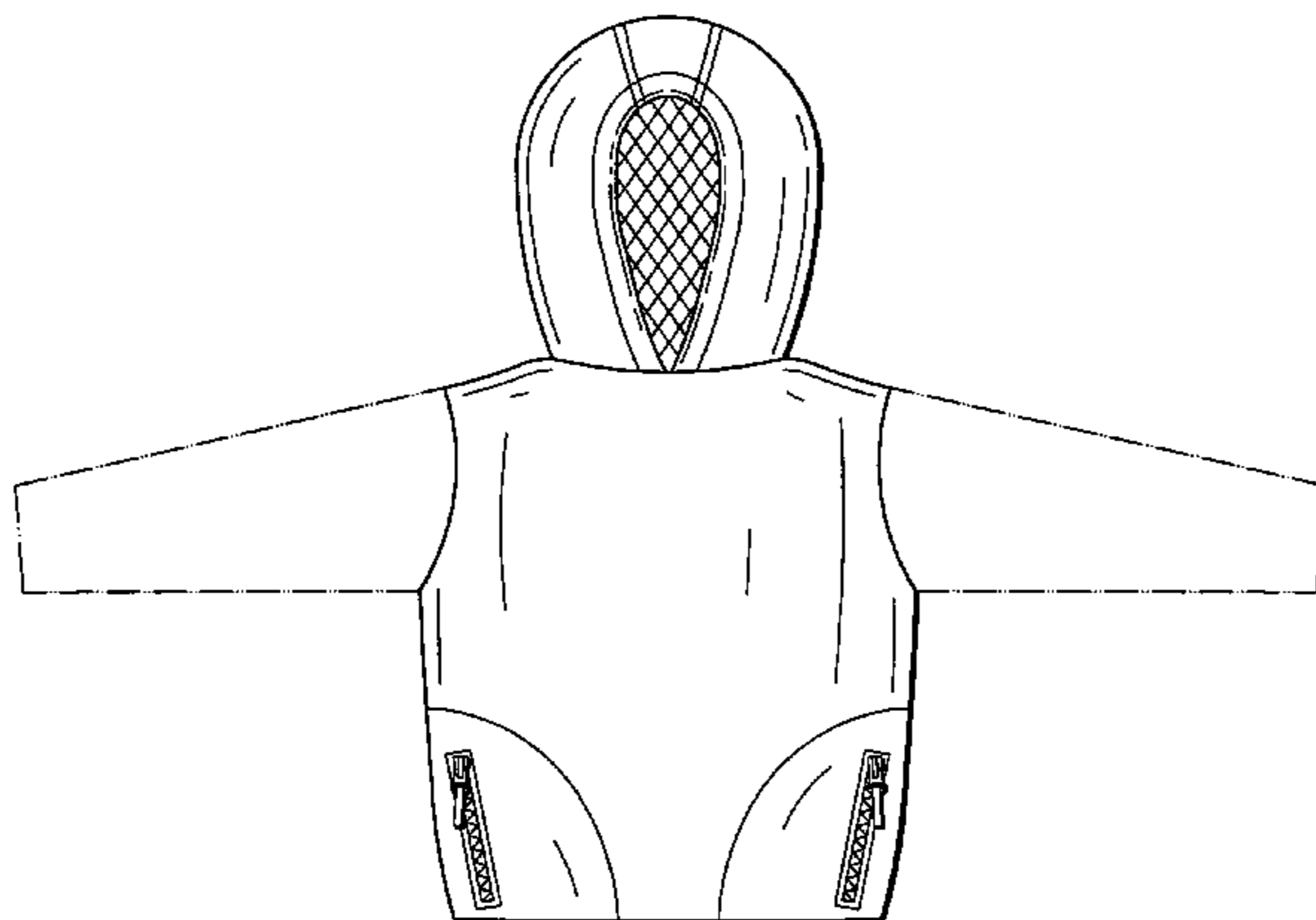


FIG. 1

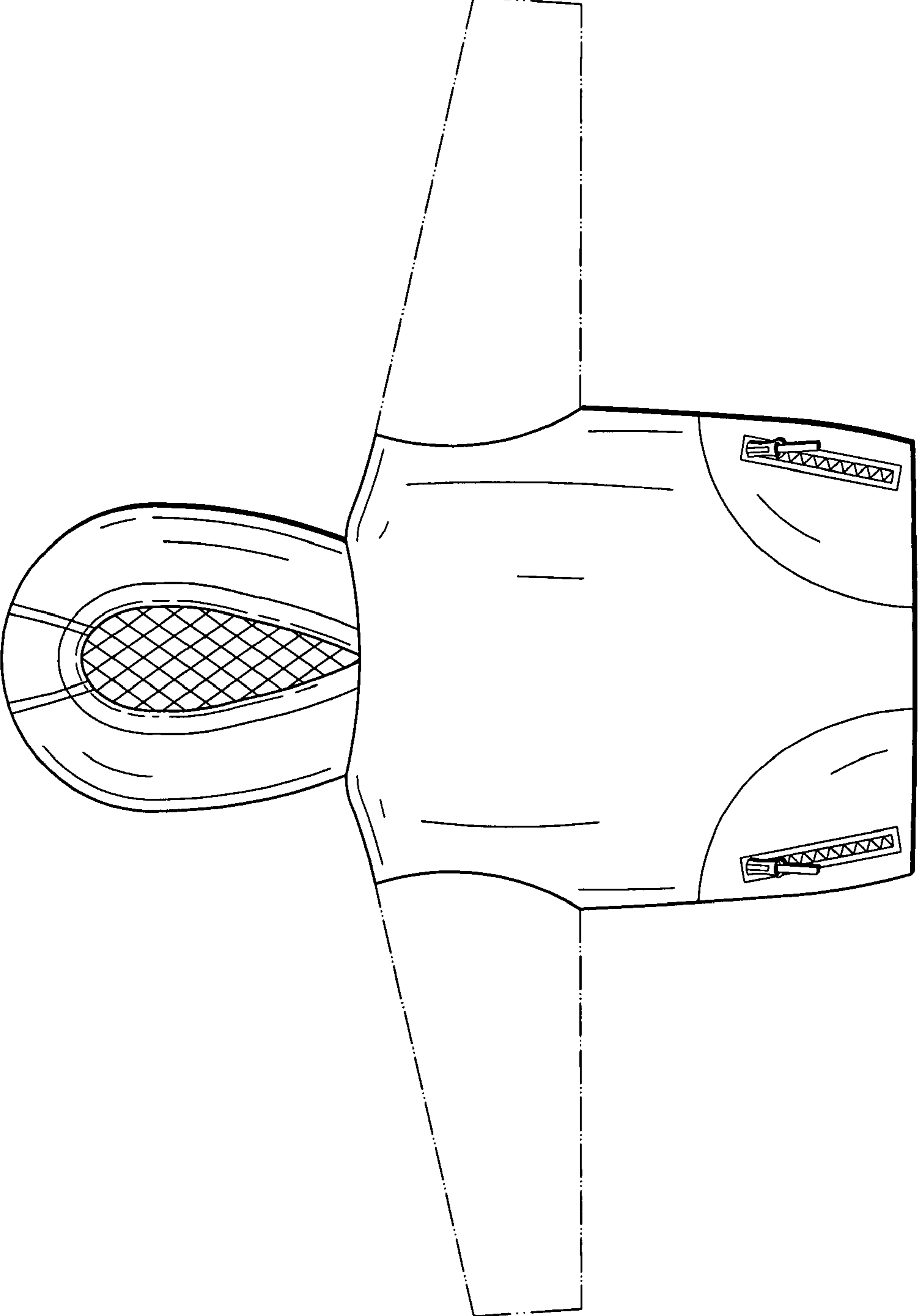


FIG. 3

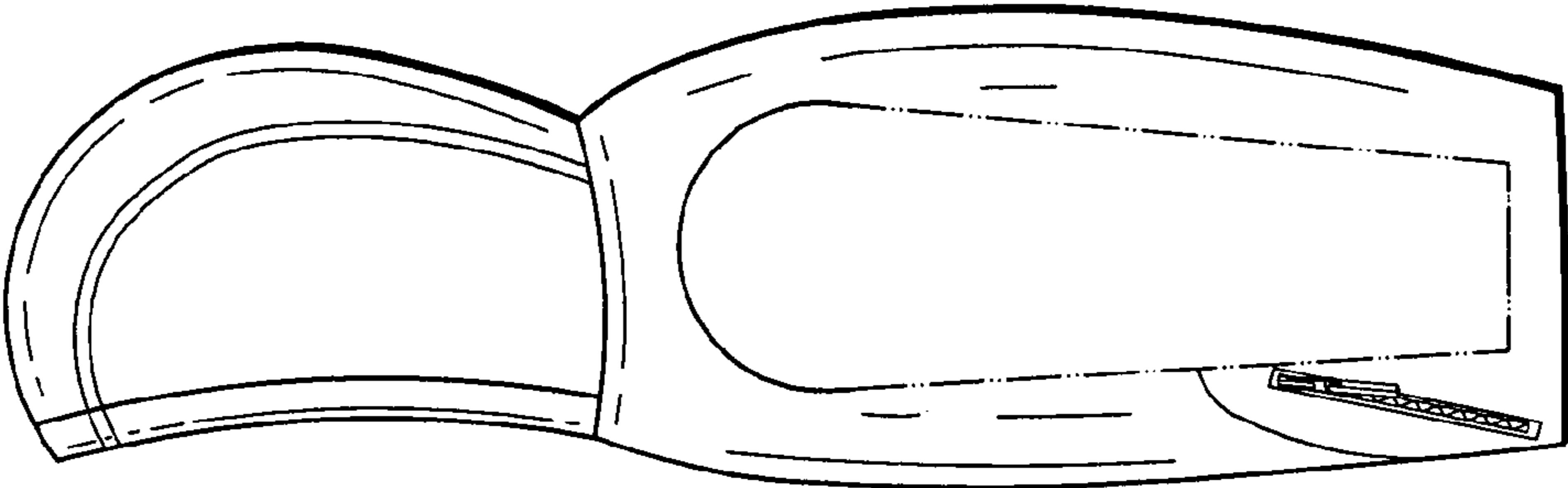


FIG. 2

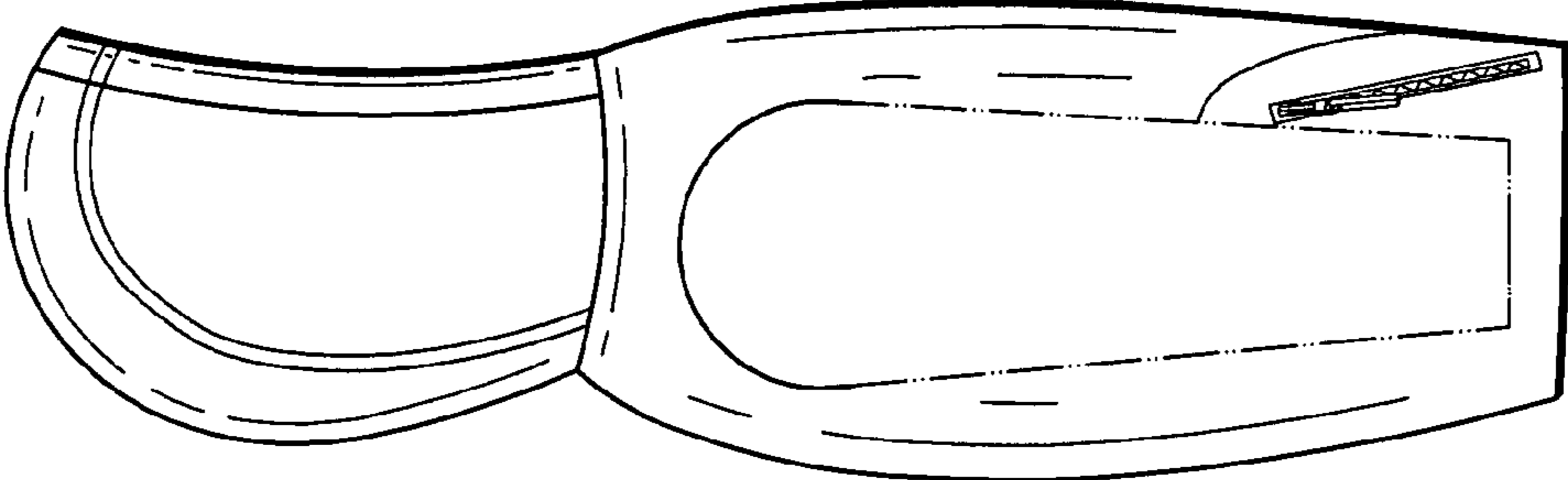


FIG. 4

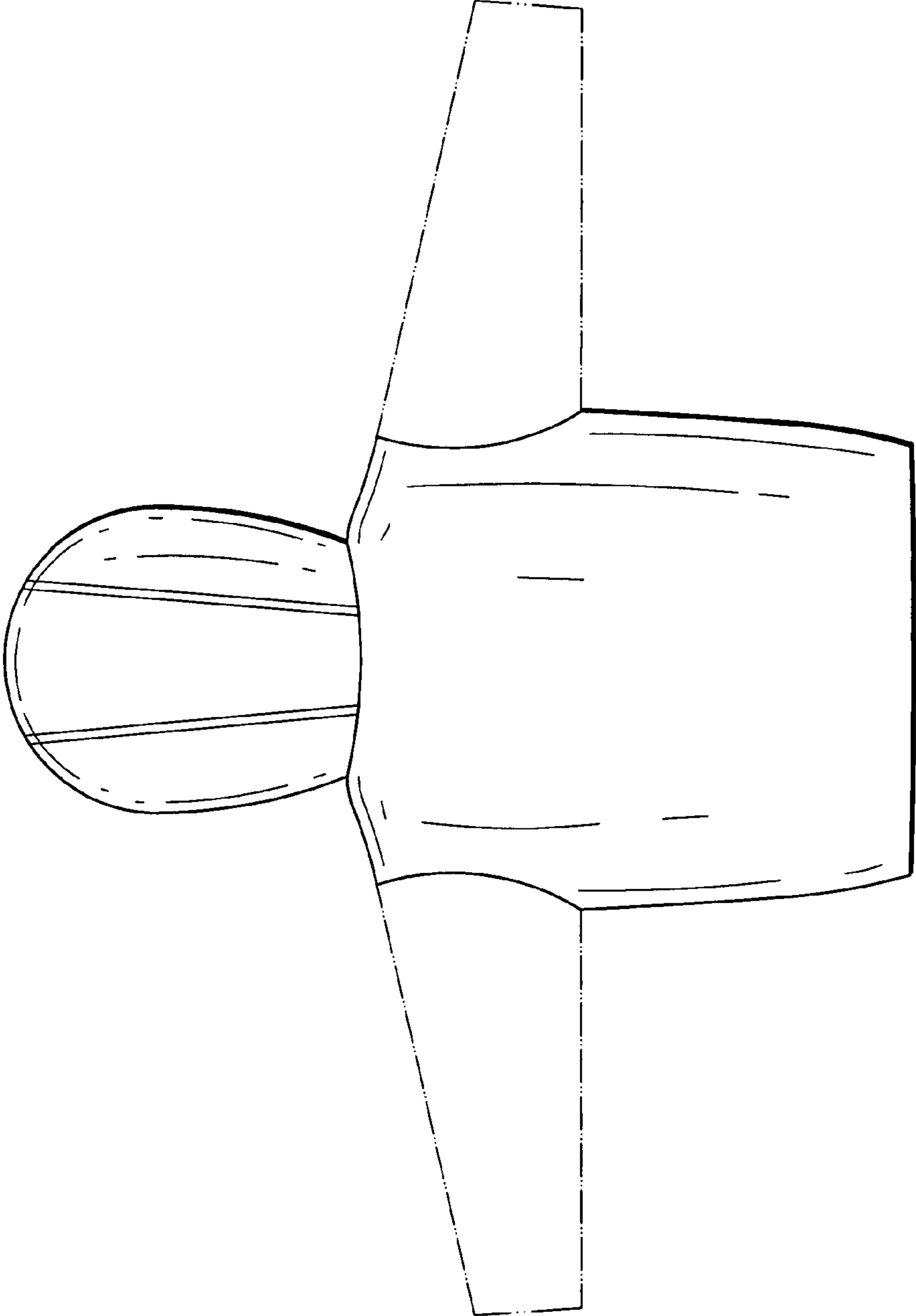


FIG. 5

