



US00D553325S

(12) **United States Design Patent** (10) **Patent No.:** **US D553,325 S**
Miller et al. (45) **Date of Patent:** **** Oct. 16, 2007**

(54) **COLLAPSIBLE CART FOR A PAINT SPRAY PUMP**

(75) Inventors: **Robert E. Miller**, Savage, MN (US);
Wayne Robens, Lakeville, MN (US)

(73) Assignee: **Wagner Spray Tech Corporation**,
Plymouth, MN (US)

(**) Term: **14 Years**

(21) Appl. No.: **29/246,330**

(22) Filed: **Mar. 31, 2006**

(51) **LOC (8) Cl.** **12-02**

(52) **U.S. Cl.** **D34/24**

(58) **Field of Classification Search** D34/12-27;
280/47.35, 47.19, 33.993, 33.991, 33.996,
280/47.18, 47.28, 47.27, 47.29, 47.34, 654,
280/655, 79.3

See application file for complete search history.

(56) **References Cited**

U.S. PATENT DOCUMENTS

D303,883	S	*	10/1989	Higson et al.	D6/429
D345,842	S	*	4/1994	Sloan et al.	D34/26
5,326,116	A	*	7/1994	Flax	280/47.371
5,356,160	A	*	10/1994	Urlwin	280/30
5,464,244	A	*	11/1995	Tsai	280/655
5,468,005	A	*	11/1995	Yang	280/40
6,193,319	B1	*	2/2001	Kielinski	298/2
D441,935	S	*	5/2001	Cook	D34/24
6,364,331	B1	*	4/2002	Yap	280/47.371
6,866,290	B2	*	3/2005	Tsai	280/655

* cited by examiner

Primary Examiner—Cynthia E. Ramirez

(74) *Attorney, Agent, or Firm*—Faegre & Benson LLP

(57) **CLAIM**

The ornamental design for a collapsible cart for a paint spray pump, as shown.

DESCRIPTION

FIG. 1 is a perspective view of a first embodiment of the article in which the design is embodied.

FIG. 2 is a front elevation view of the first embodiment of the article in which the design is embodied.

FIG. 3 is a rear elevation view of the first embodiment of the article in which the design is embodied.

FIG. 4 is a left side elevation view of the first embodiment of the article in which the design is embodied.

FIG. 5 is a right side elevation view of the first embodiment of the article in which the design is embodied.

FIG. 6 is a top plan view of the first embodiment of the article in which the design is embodied.

FIG. 7 is a bottom plan view of the first embodiment of the article in which the design is embodied.

FIG. 8 is a perspective view of a second embodiment of the article in which the design is embodied.

FIG. 9 is a front elevation view of the second embodiment of the article in which the design is embodied.

FIG. 10 is a rear elevation view of the second embodiment of the article in which the design is embodied.

FIG. 11 is a left side elevation view of the second embodiment of the article in which the design is embodied.

FIG. 12 is a right side elevation view of the second embodiment of the article in which the design is embodied.

FIG. 13 is a top plan view of the second embodiment of the article in which the design is embodied; and,

FIG. 14 is a bottom plan view of the second embodiment of the article in which the design is embodied.

1 Claim, 14 Drawing Sheets

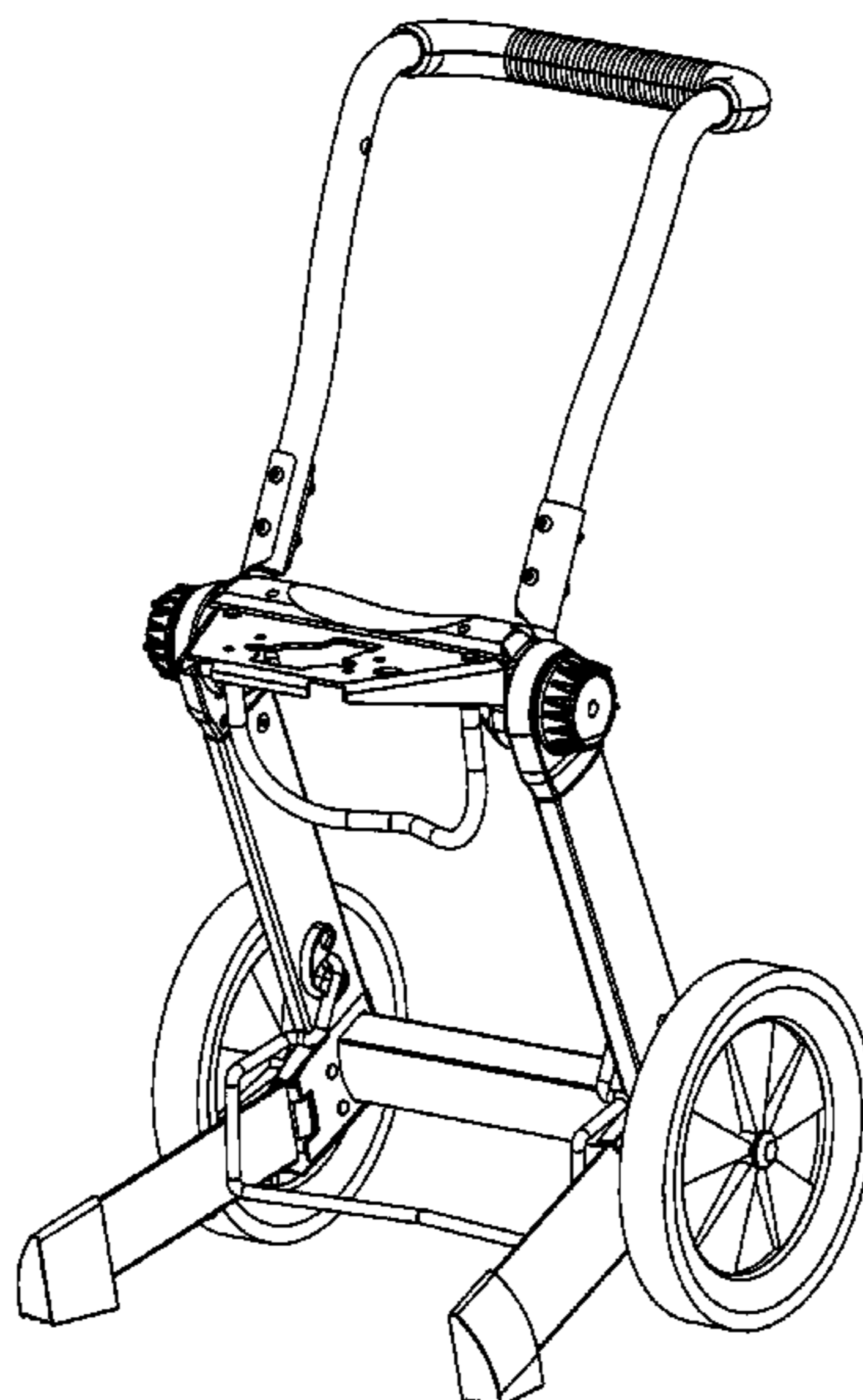


FIG. 1

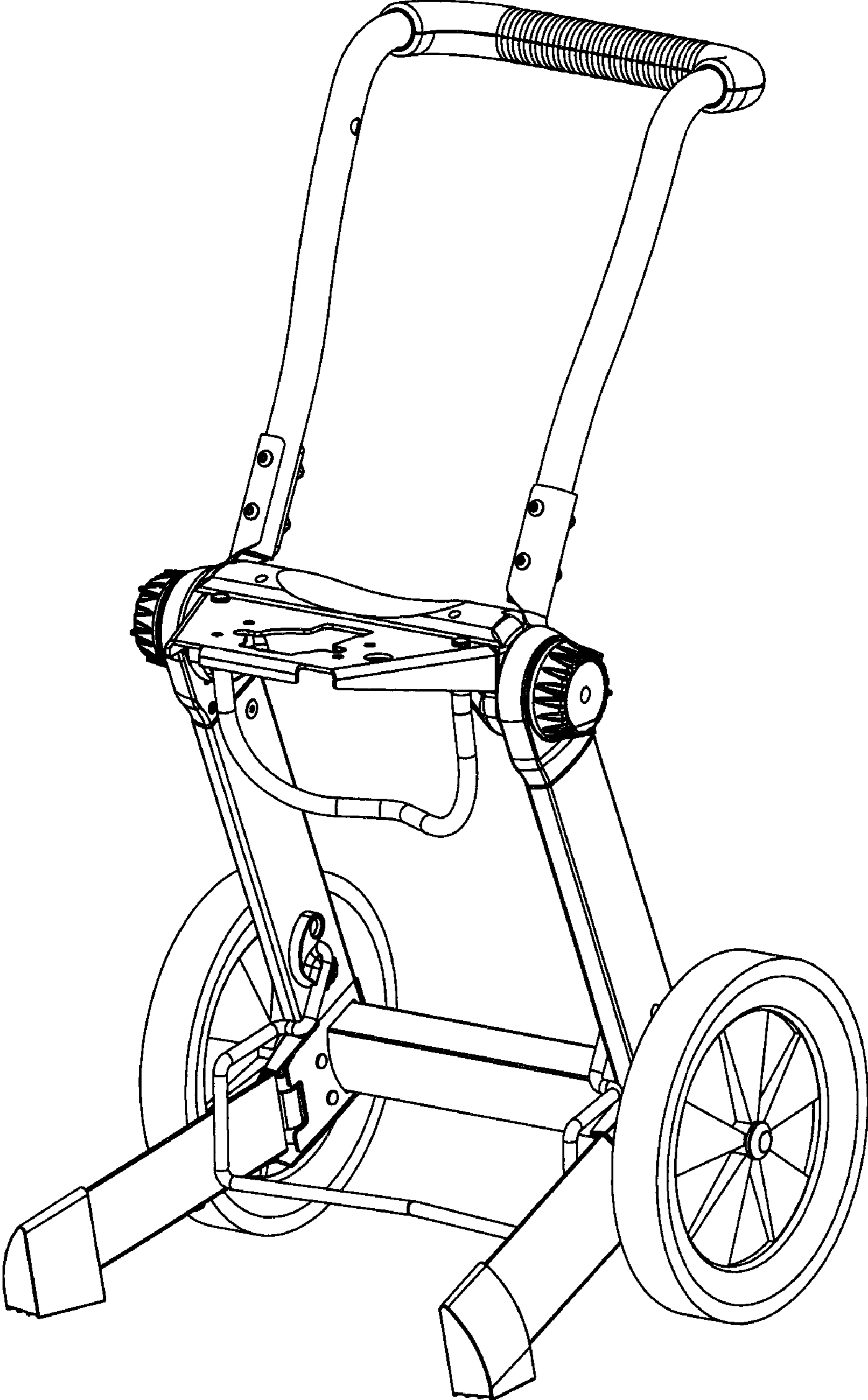


FIG. 2

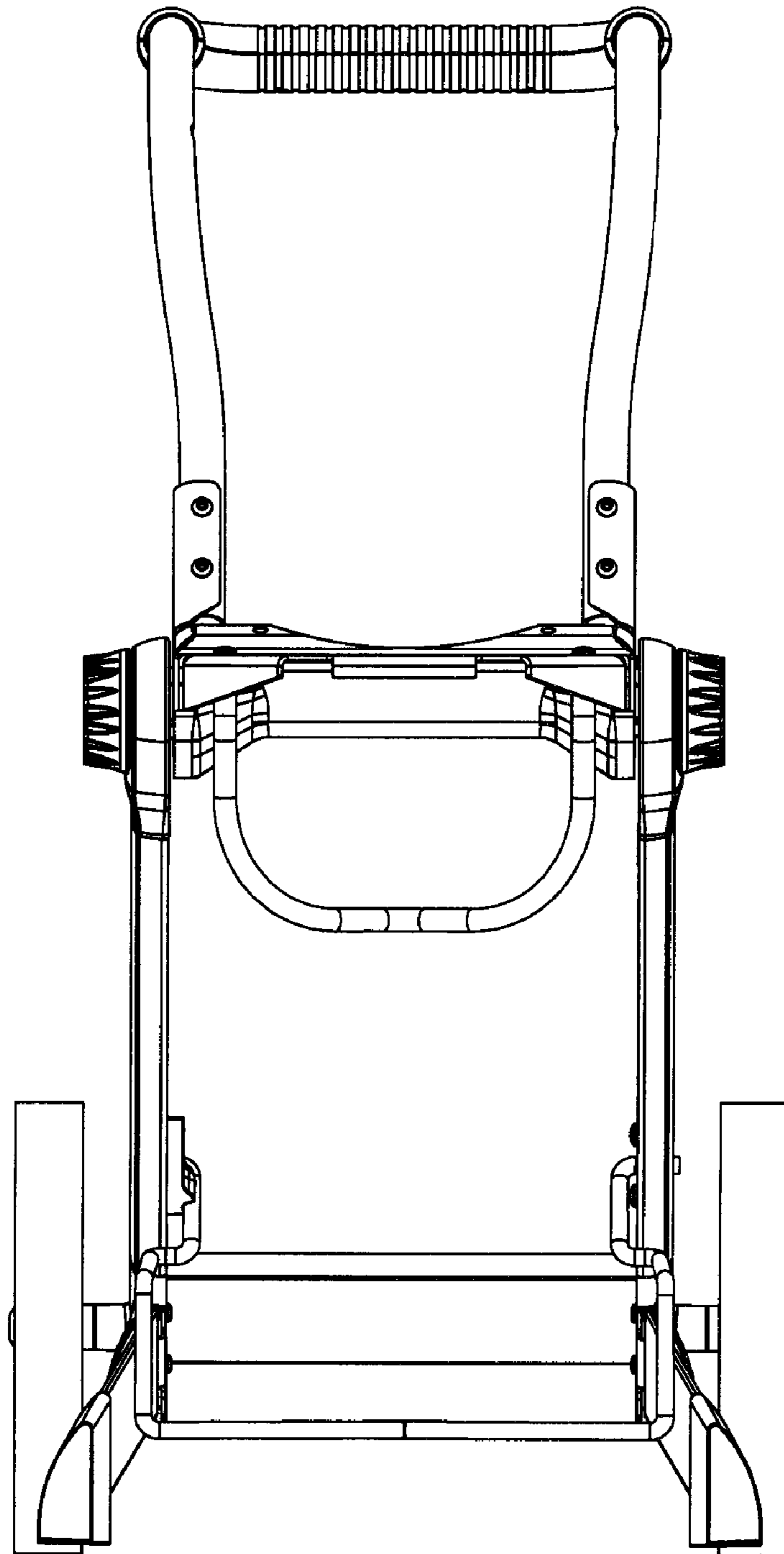


FIG. 3

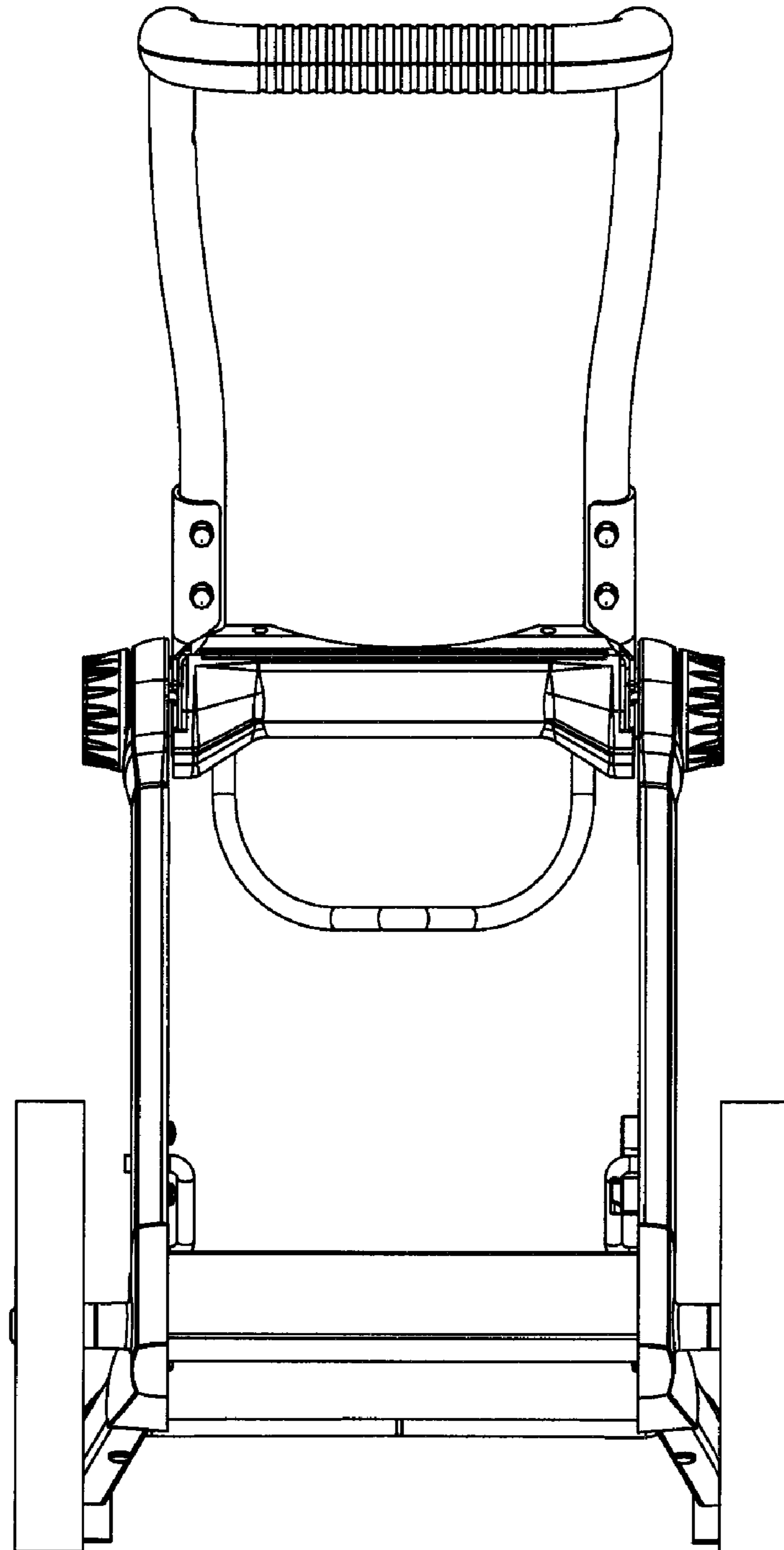


FIG. 4

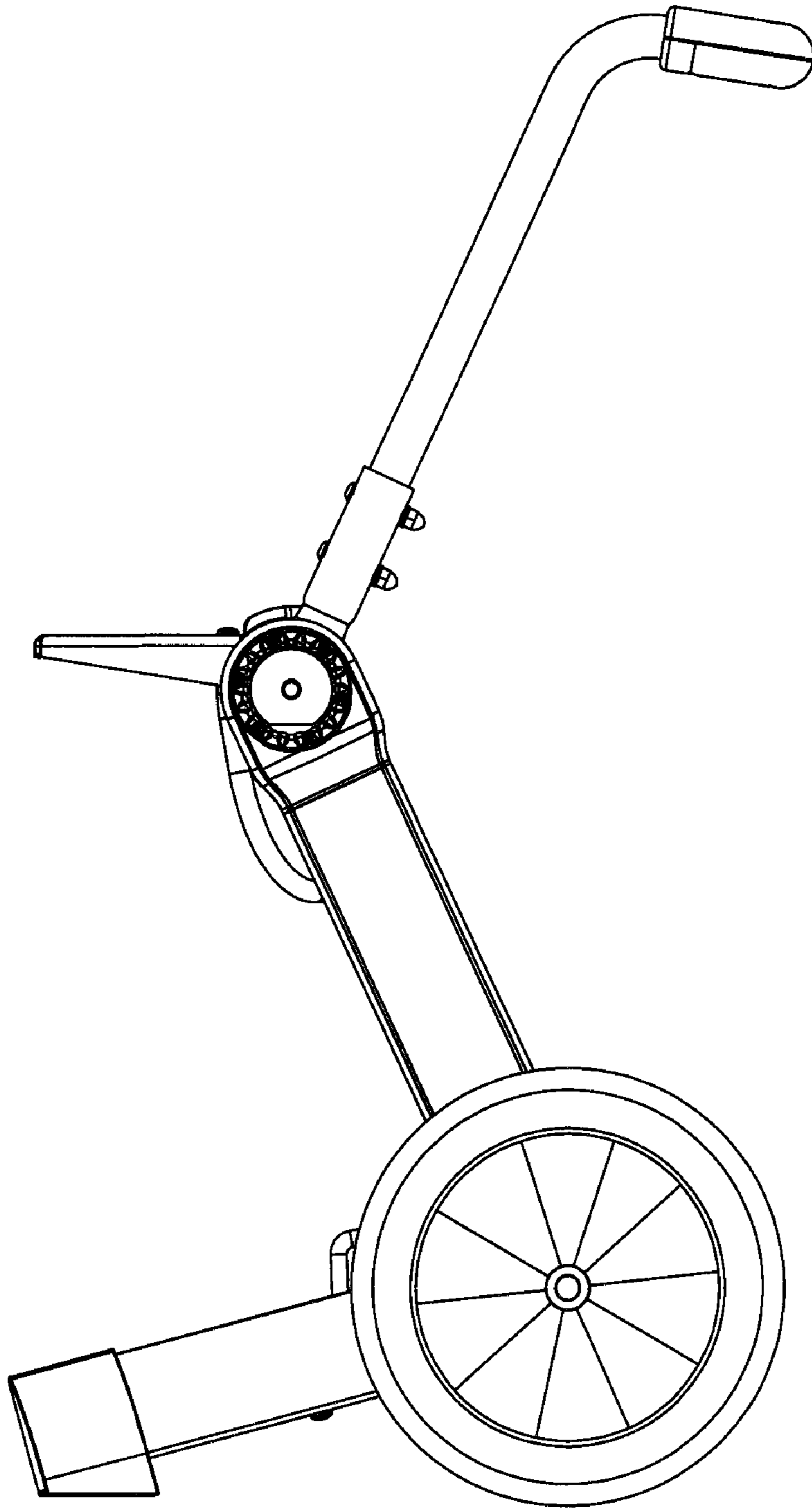


FIG. 5

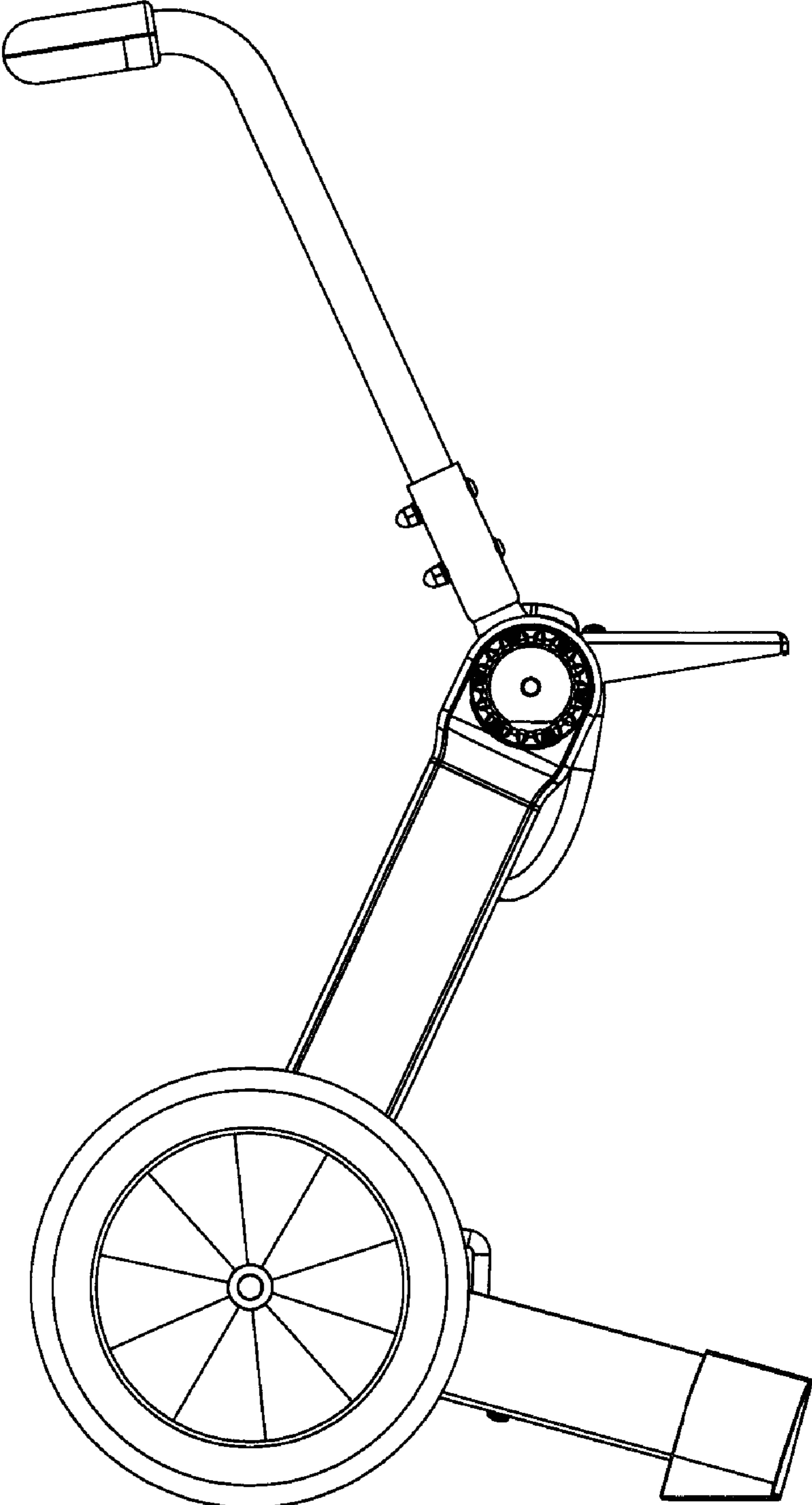


FIG. 6

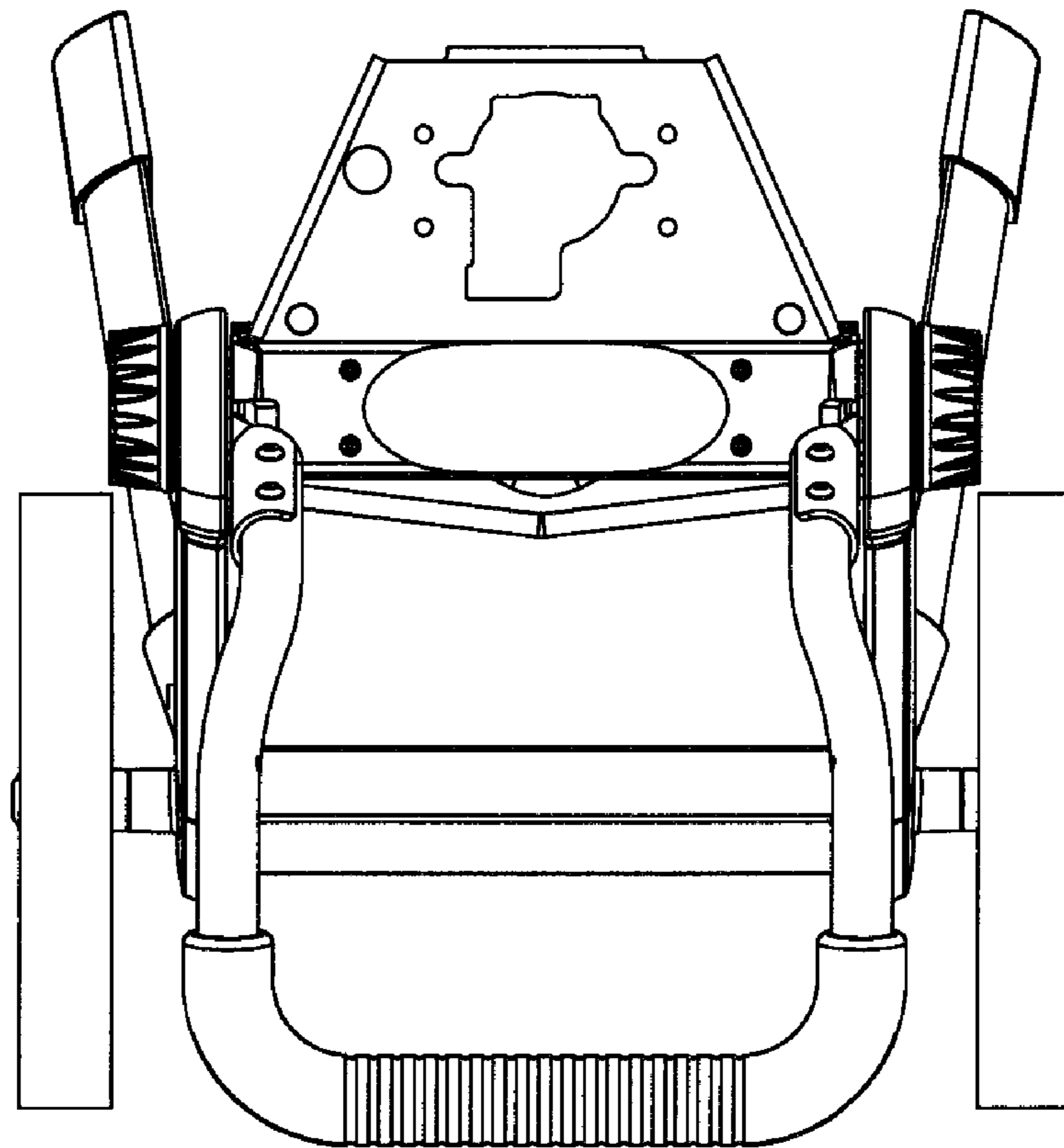


FIG. 7

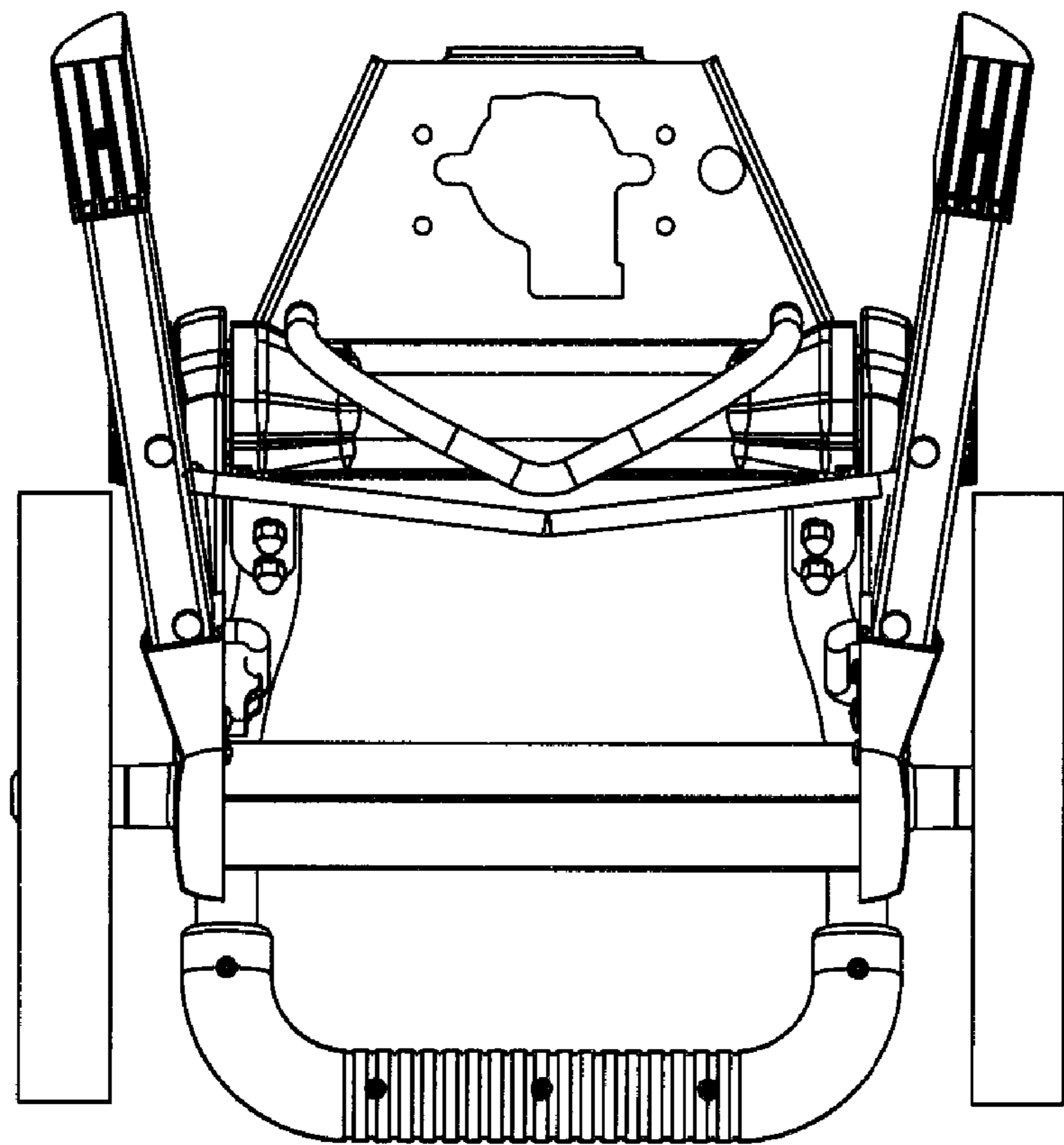


FIG. 8

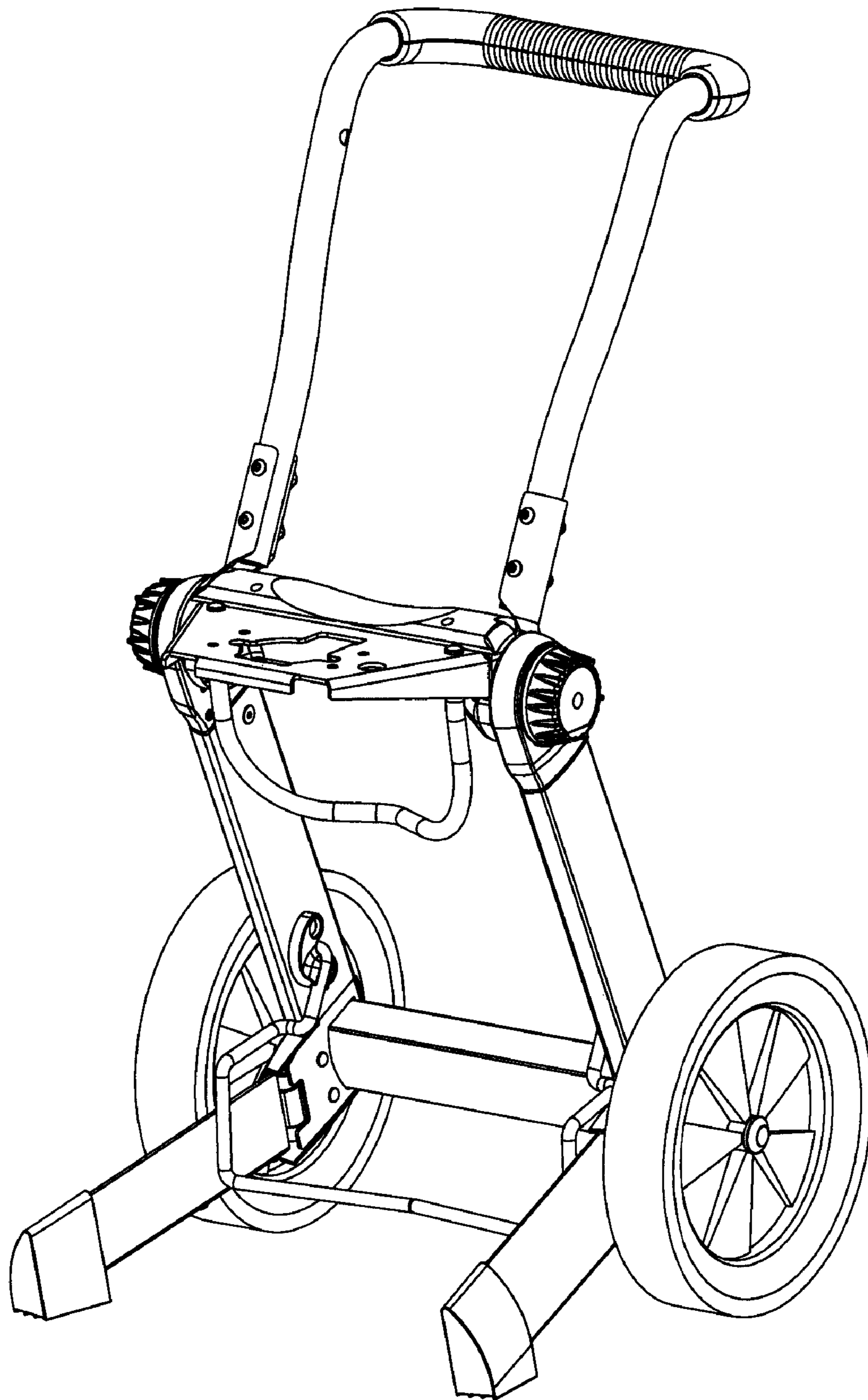


FIG. 9

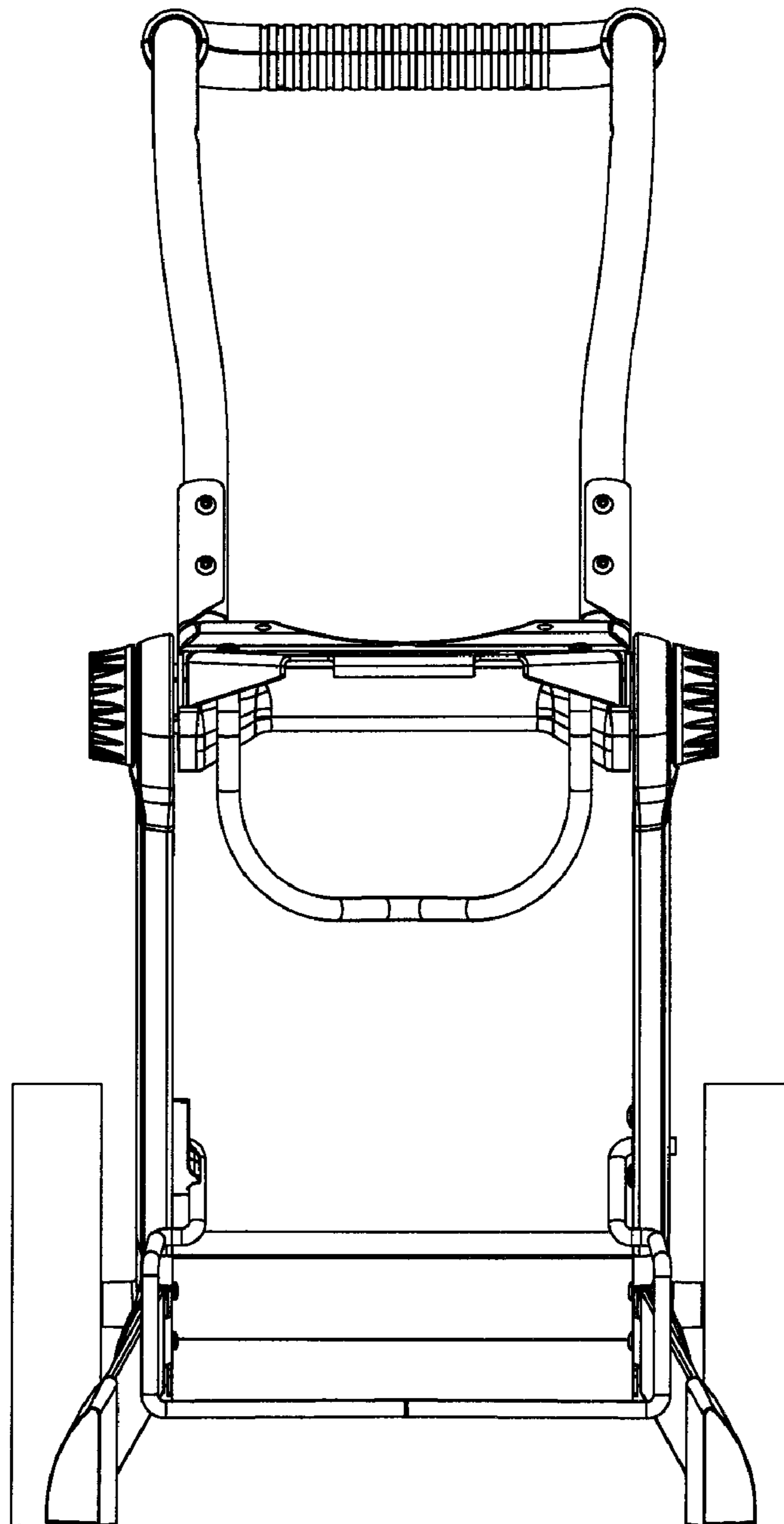


FIG. 10

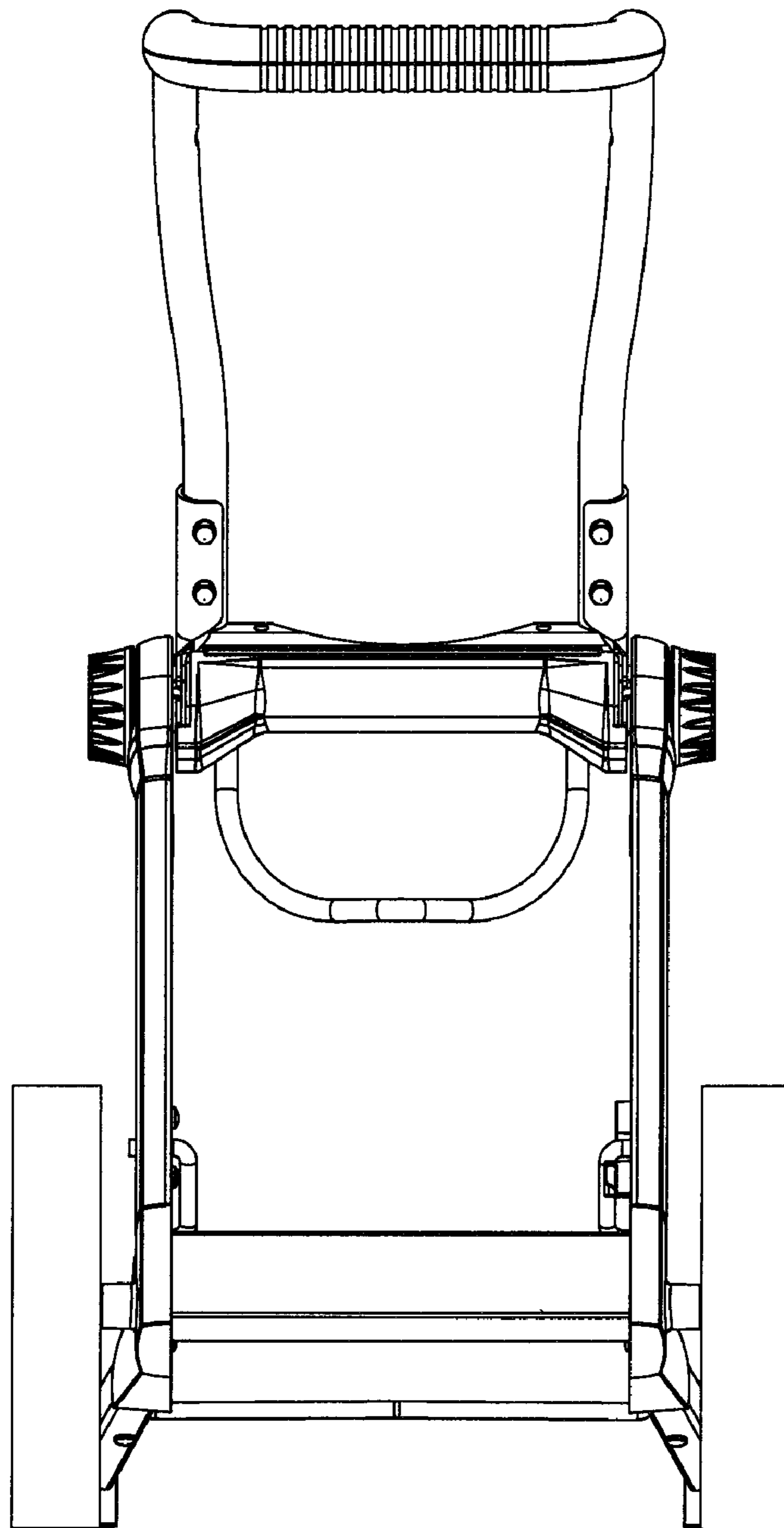


FIG. 11

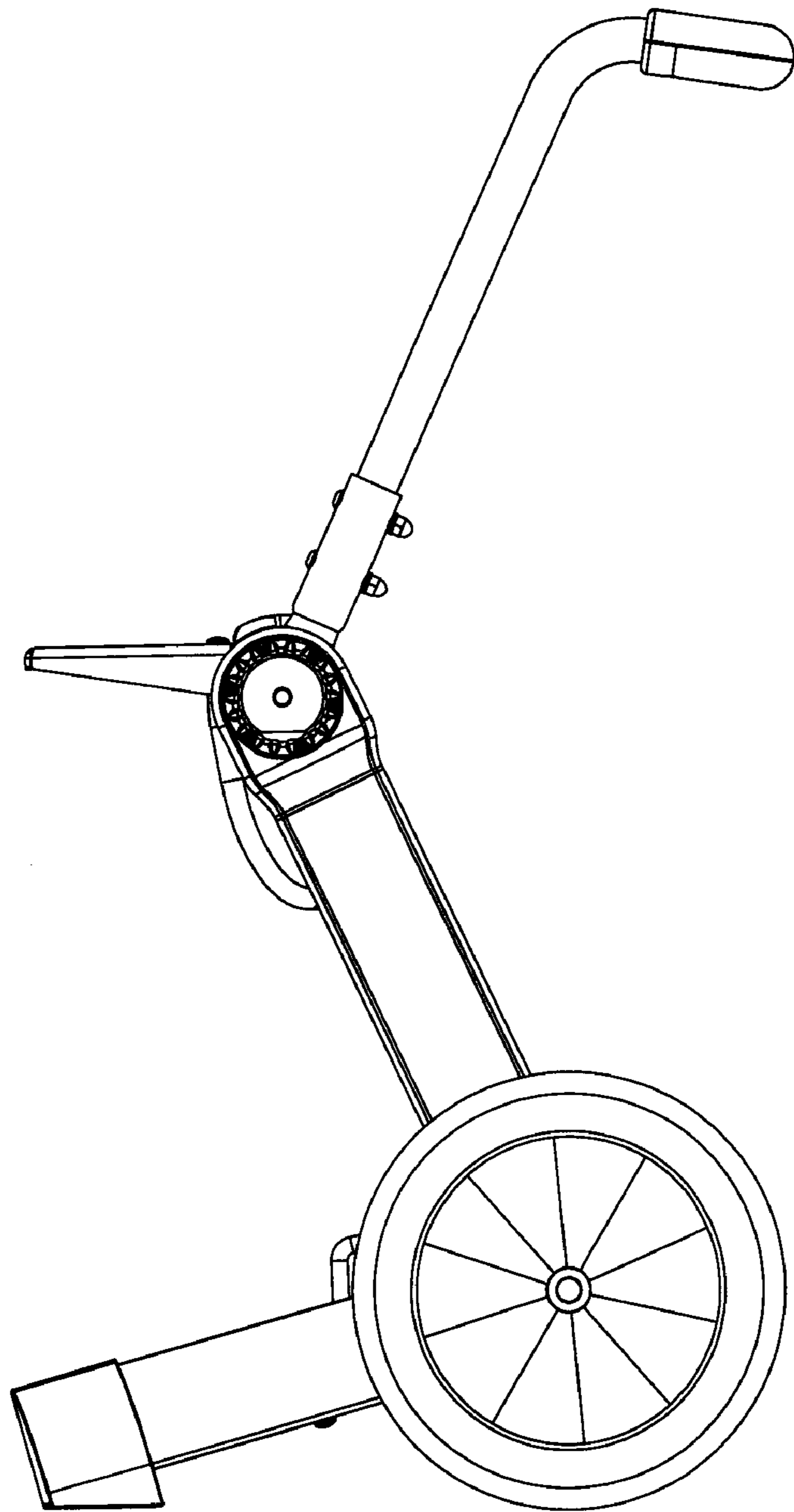


FIG. 12

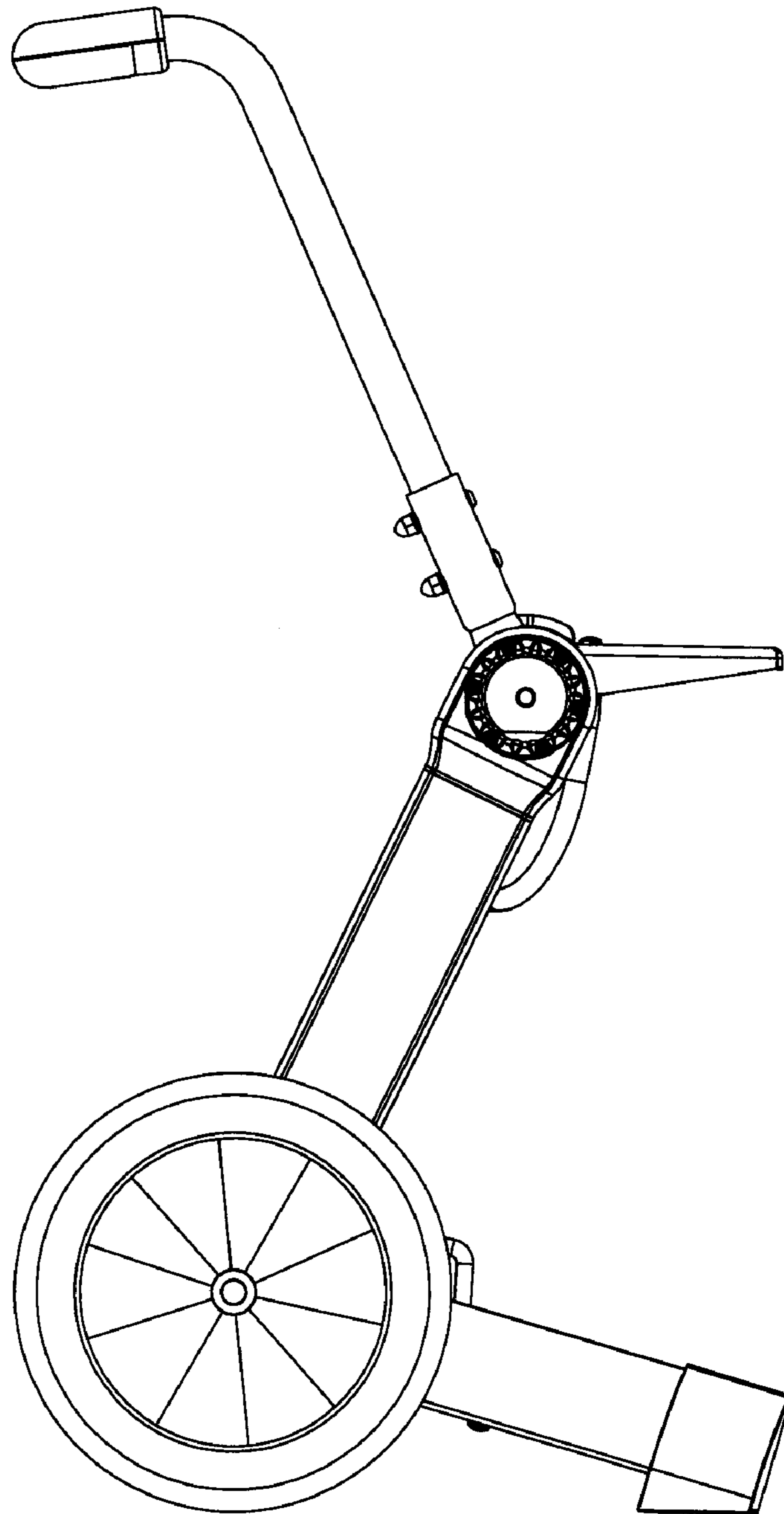


FIG. 13

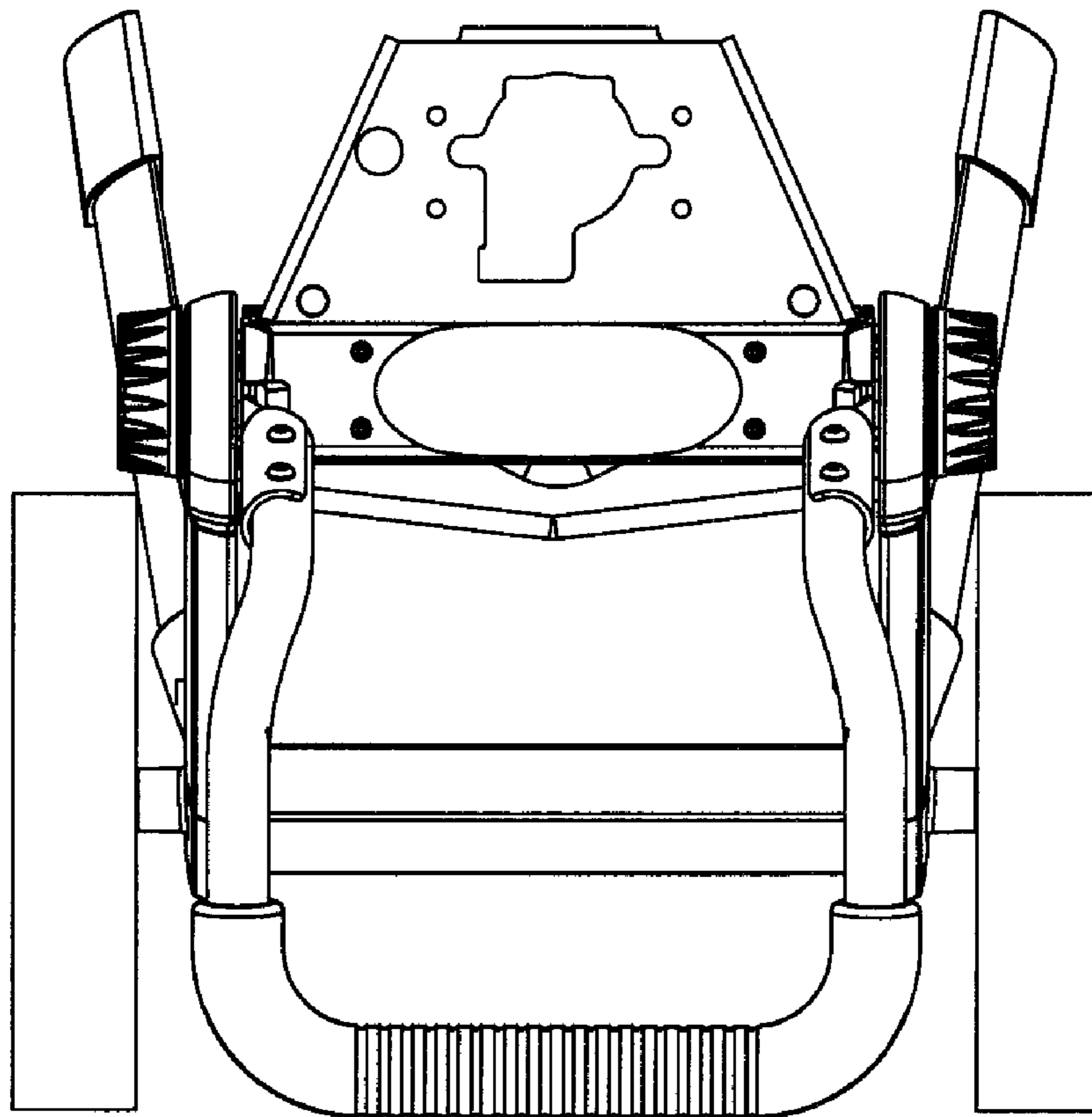


FIG. 14

