



US00D553324S

(12) **United States Design Patent**
Lieblein

(10) **Patent No.:** **US D553,324 S**

(45) **Date of Patent:** **** Oct. 16, 2007**

(54) **CART**

(75) Inventor: **Joel Lieblein**, Sudbury, MA (US)

(73) Assignee: **Newcastle Systems**, Wakefield, MA (US)

(**) Term: **14 Years**

(21) Appl. No.: **29/248,095**

(22) Filed: **Jul. 27, 2006**

(51) **LOC (8) Cl.** **12-02**

(52) **U.S. Cl.** **D34/14**

(58) **Field of Classification Search** D34/12-27;
280/47.35, 47.19, 33.993, 33.991, 33.996,
280/47.18, 47.28, 47.27, 47.29, 47.34, 654,
280/655, 79.3

See application file for complete search history.

(56) **References Cited**

U.S. PATENT DOCUMENTS

3,834,724	A *	9/1974	Trubiano	280/33.996
5,160,154	A *	11/1992	Seydel et al.	280/47.19
D345,842	S *	4/1994	Sloan et al.	D34/26
5,468,005	A *	11/1995	Yang	280/40
5,845,915	A *	12/1998	Wilson	280/47.19
D441,935	S *	5/2001	Cook	D34/24
6,866,290	B2 *	3/2005	Tsai	280/655
6,918,733	B2 *	7/2005	Neuber et al.	414/426
7,168,715	B1 *	1/2007	Friedman	280/47.35

* cited by examiner

Primary Examiner—Cynthia E. Ramirez

(74) *Attorney, Agent, or Firm*—Sterne, Kessler, Goldstein & Fox P.L.L.C.

(57) **CLAIM**

The ornamental design for a cart, as shown and described.

DESCRIPTION

FIG. 1 is a perspective view of an embodiment of a cart showing a new design;

FIG. 2 is a front view thereof;

FIG. 3 is a rear view thereof;

FIG. 4 is a side view thereof;

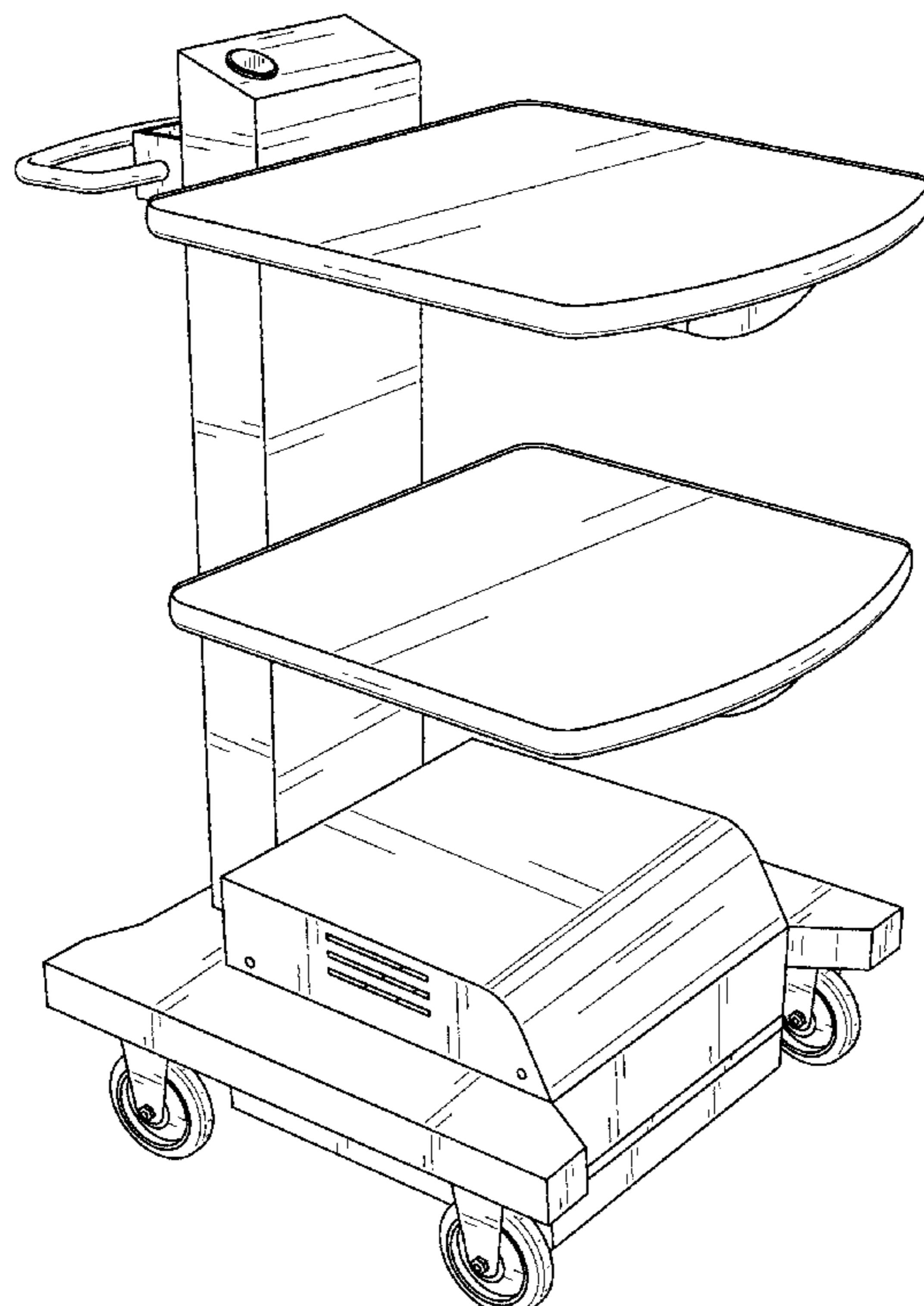
FIG. 5 is another side view thereof;

FIG. 6 is a top plan view thereof; and,

FIG. 7 is a bottom plan view thereof.

Texture also forms no part of the claimed design in any of the Figures and may be replaced in the formal drawings with untextured material, without departing from the design disclosed. The inventors anticipate that the invention can be any part, portion, element, or combination of elements of the depicted cart. For example, the wheels shown in the Figures may be shown as environmental.

1 Claim, 7 Drawing Sheets



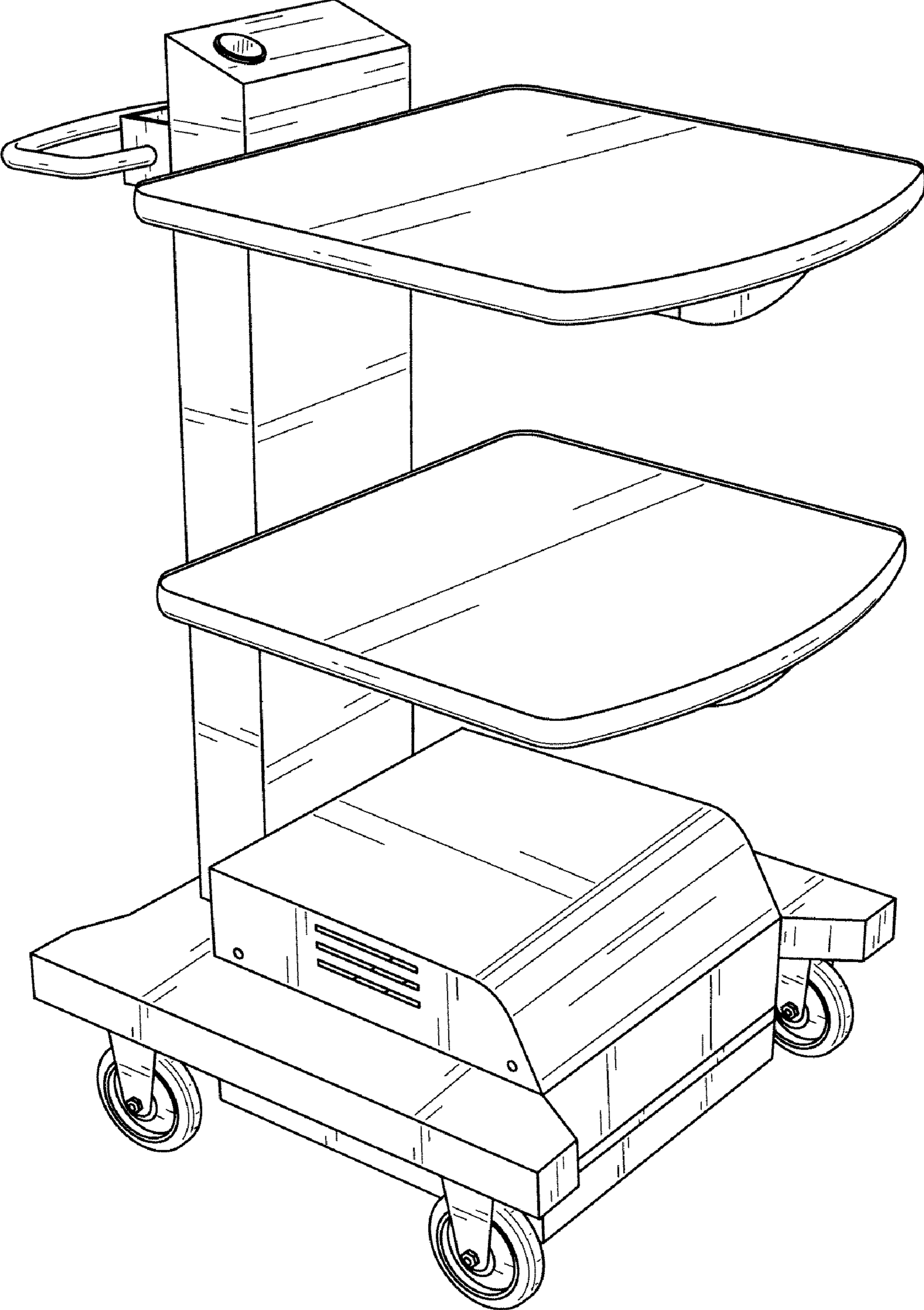


FIG. 1

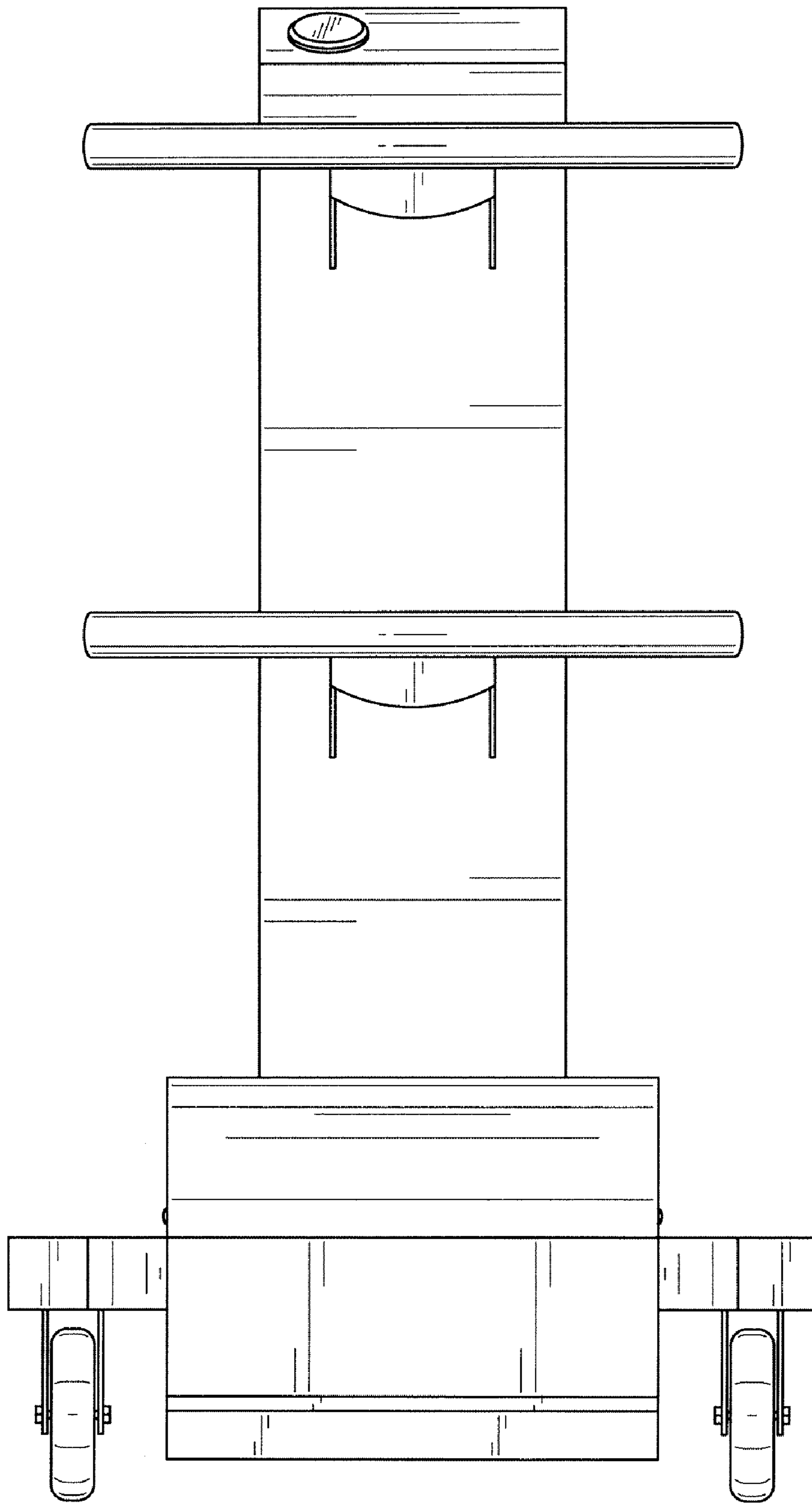


FIG. 2

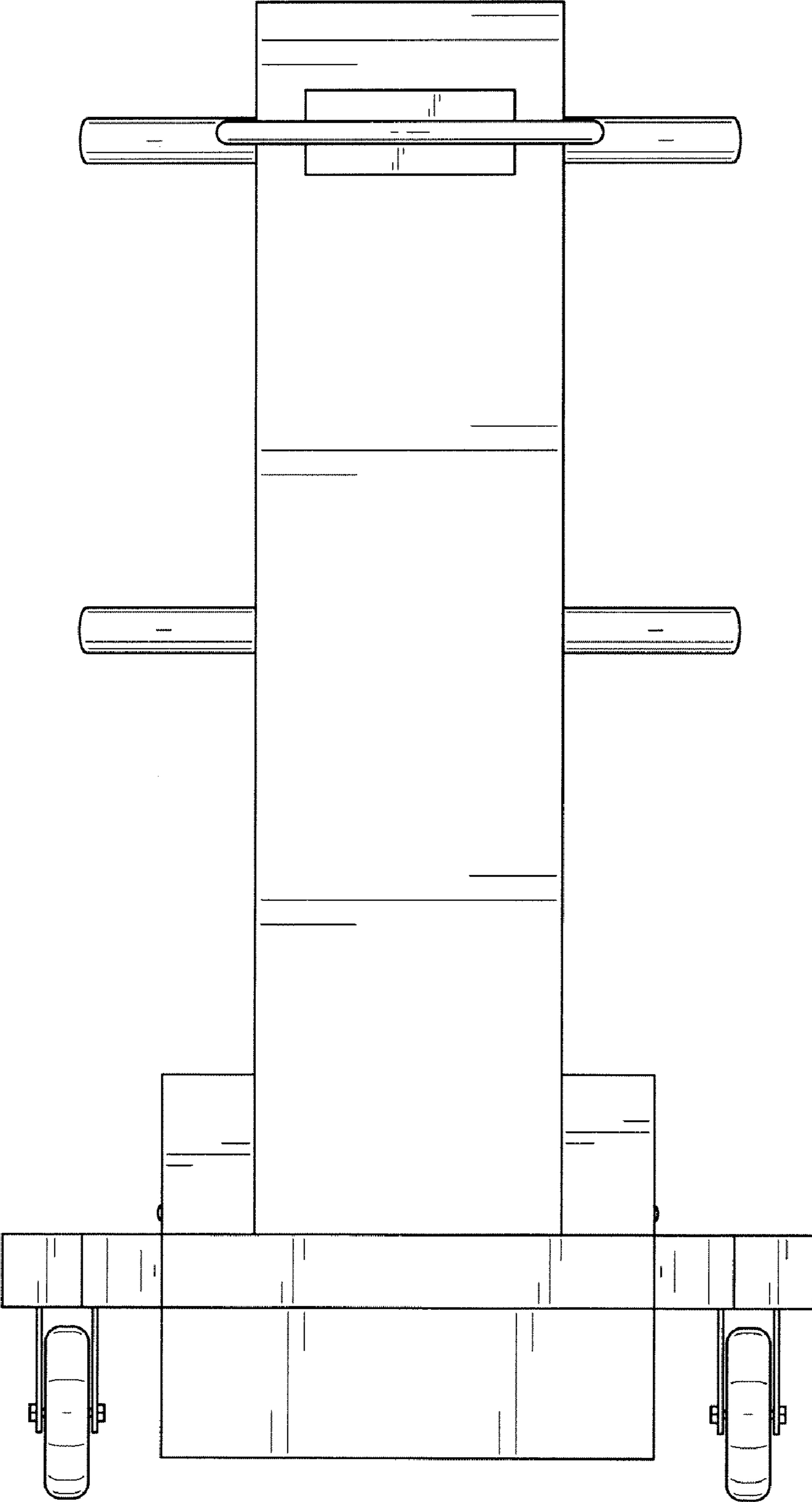


FIG. 3

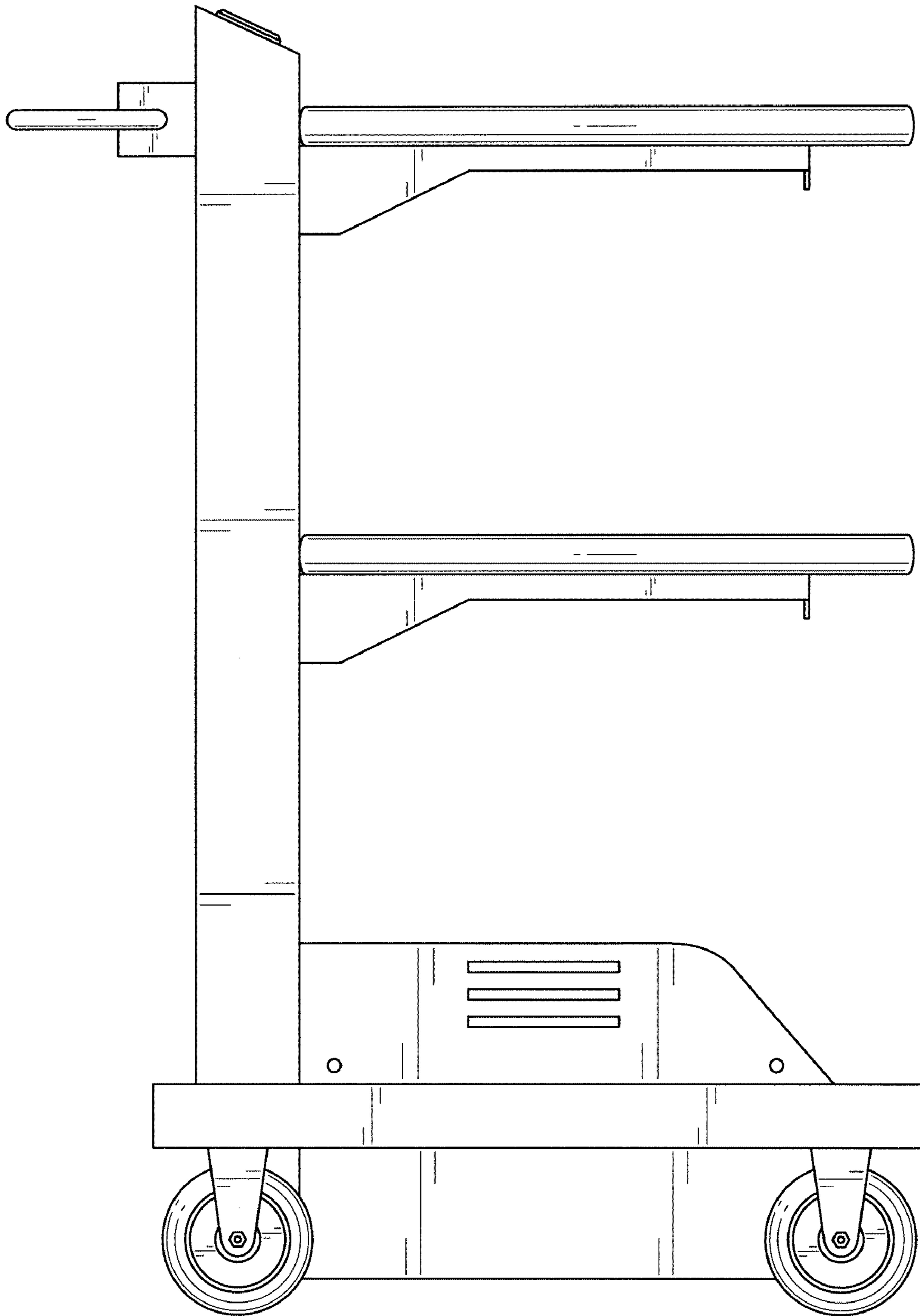


FIG. 4

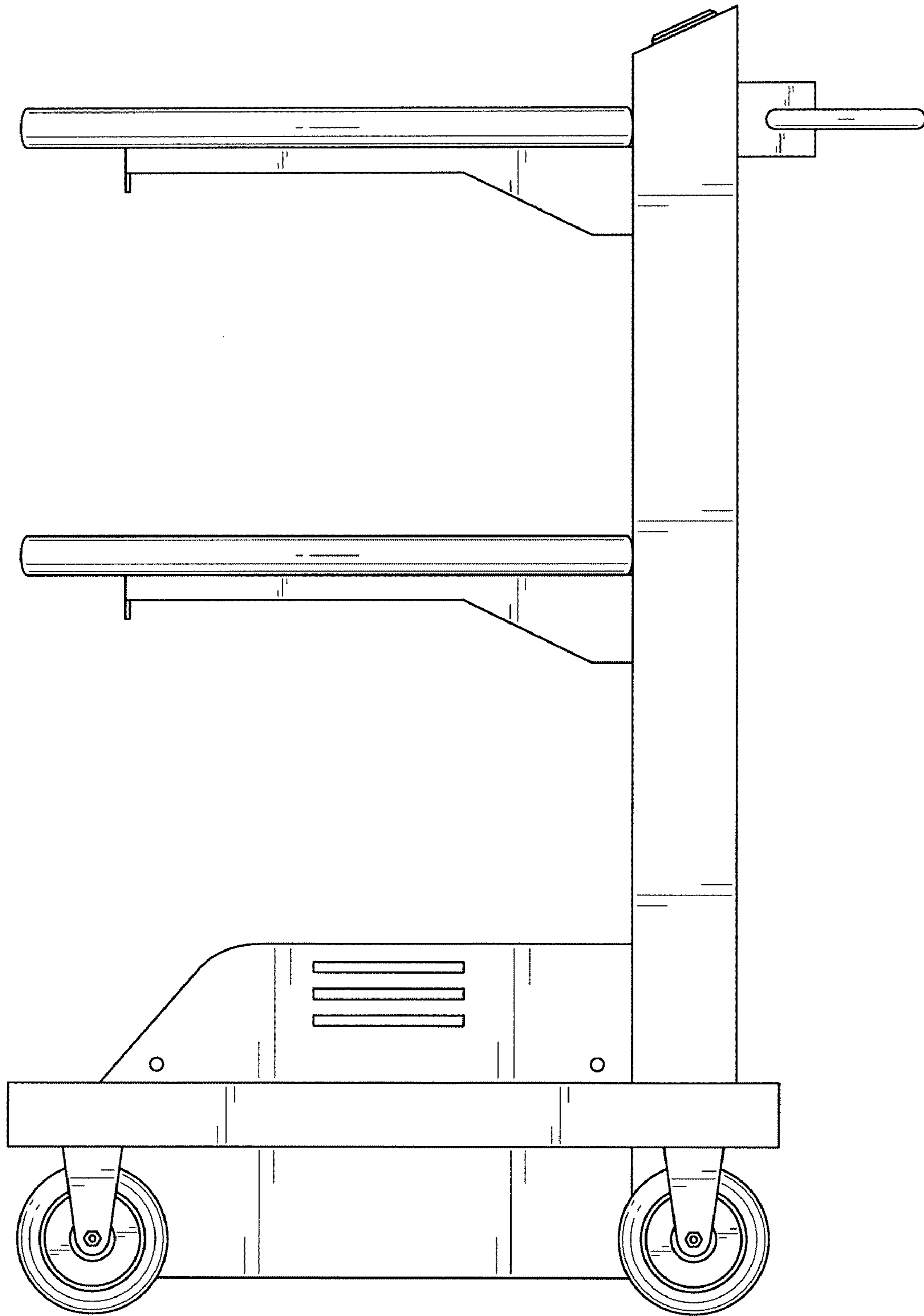


FIG. 5

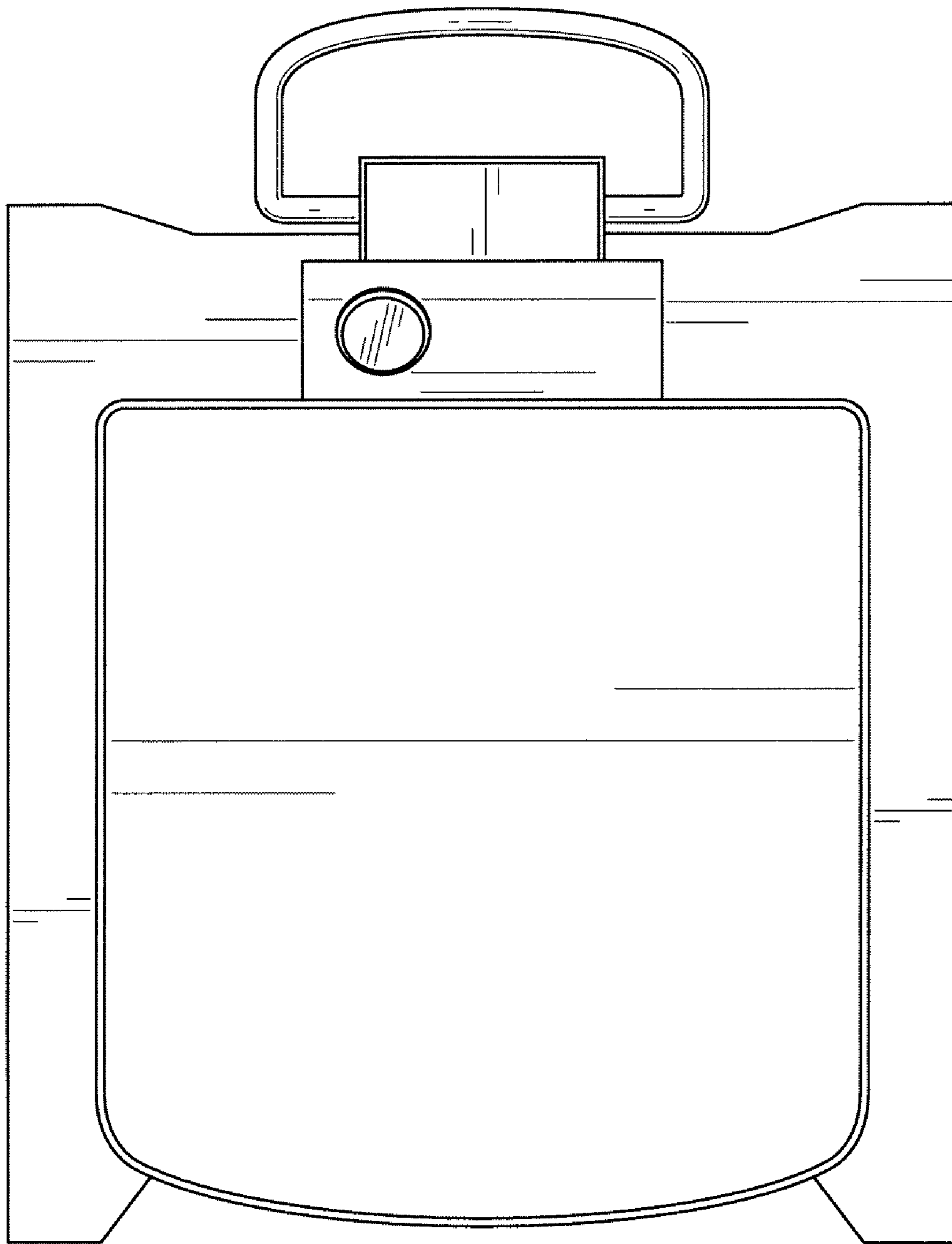


FIG. 6

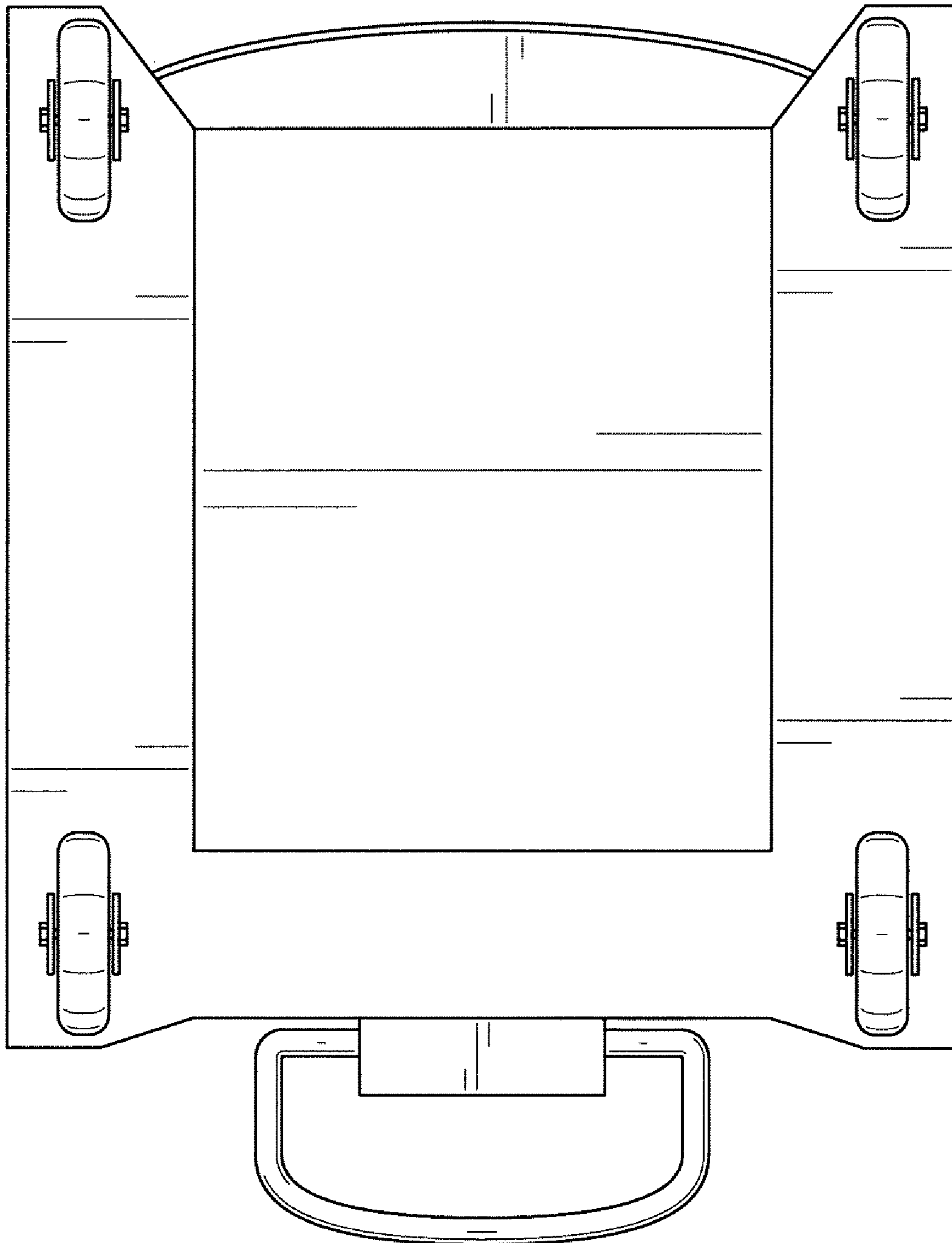


FIG. 7