



US00D553321S

(12) **United States Design Patent**
Wilkinson

(10) **Patent No.:** **US D553,321 S**

(45) **Date of Patent:** **** Oct. 16, 2007**

(54) **BAG HOLDER**

(76) Inventor: **Brad K. Wilkinson**, 183 Main St.,
North Woodstock, NH (US) 03262

(**) Term: **14 Years**

(21) Appl. No.: **29/259,893**

(22) Filed: **May 18, 2006**

(51) **LOC (8) Cl.** **09-09**

(52) **U.S. Cl.** **D34/6**

(58) **Field of Classification Search** D34/1,
D34/5, 6, 10, 11; 248/95, 96, 97, 99, 100;
220/908-913

See application file for complete search history.

(56) **References Cited**

U.S. PATENT DOCUMENTS

4,326,575	A *	4/1982	Larkin	220/666
4,457,483	A *	7/1984	Gagne	248/97
D296,256	S *	6/1988	Bengtson et al.	D34/6
D302,885	S *	8/1989	Barbee	D34/6
D339,438	S *	9/1993	Moran	D34/7
D401,027	S *	11/1998	Mueller	D34/6

5,897,084	A *	4/1999	Judge	248/95
6,367,747	B1 *	4/2002	Mulle	248/99
D523,604	S *	6/2006	Wiley	D34/6

* cited by examiner

Primary Examiner—Cynthia E. Ramirez

(74) *Attorney, Agent, or Firm*—Bourque

(57) **CLAIM**

The ornamental design for a bag holder, as shown and described.

DESCRIPTION

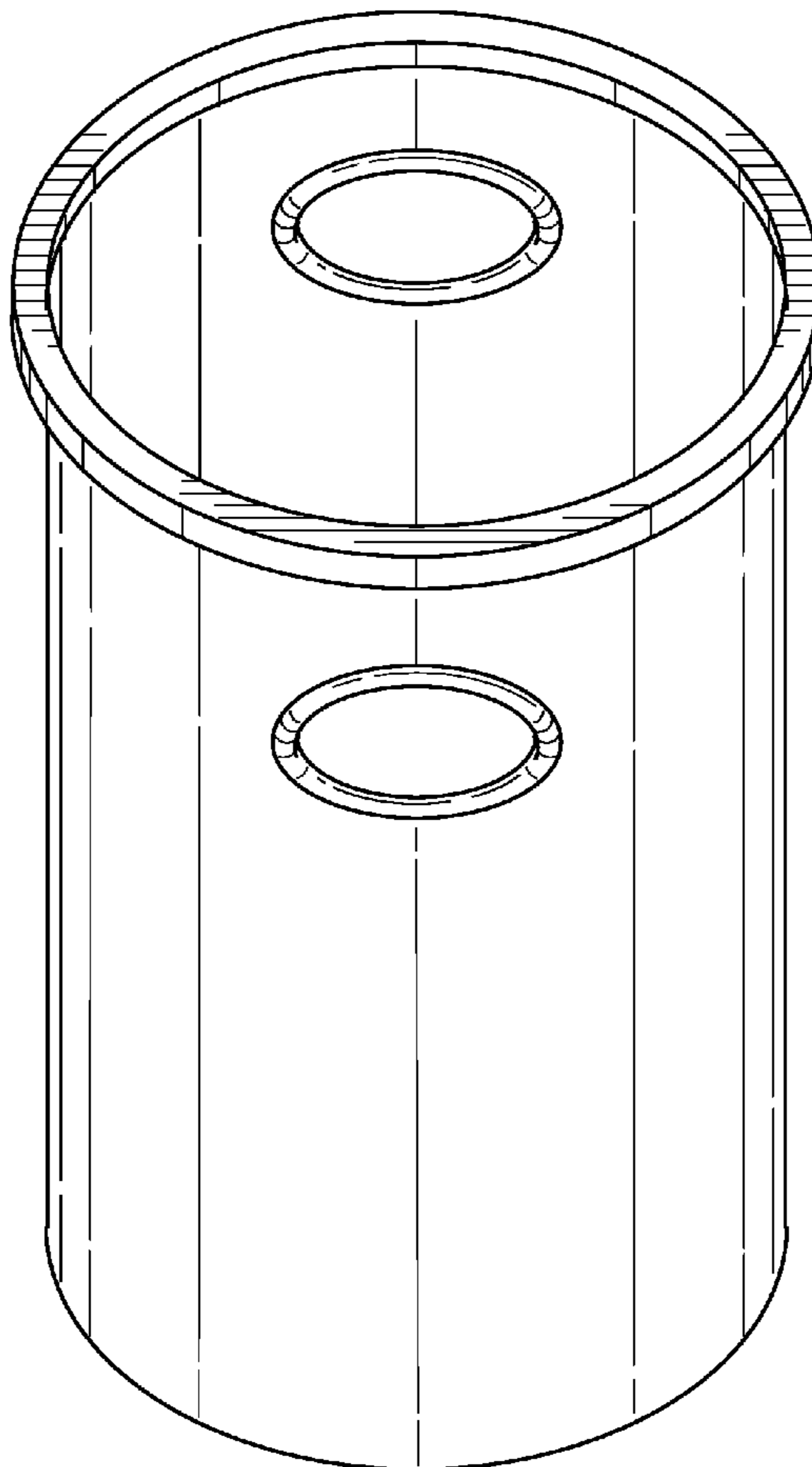
FIG. 1 is a top tilted forward view of a bag holder showing my new ornamental design;

FIG. 2 is a bottom tilted forward view of a bag holder showing my new ornamental design;

FIG. 3 is a front side view of the bag holder showing my new ornamental design, the back view being a mirror image thereof; and,

FIG. 4 is a top view of the bag holder showing my new ornamental design.

1 Claim, 4 Drawing Sheets



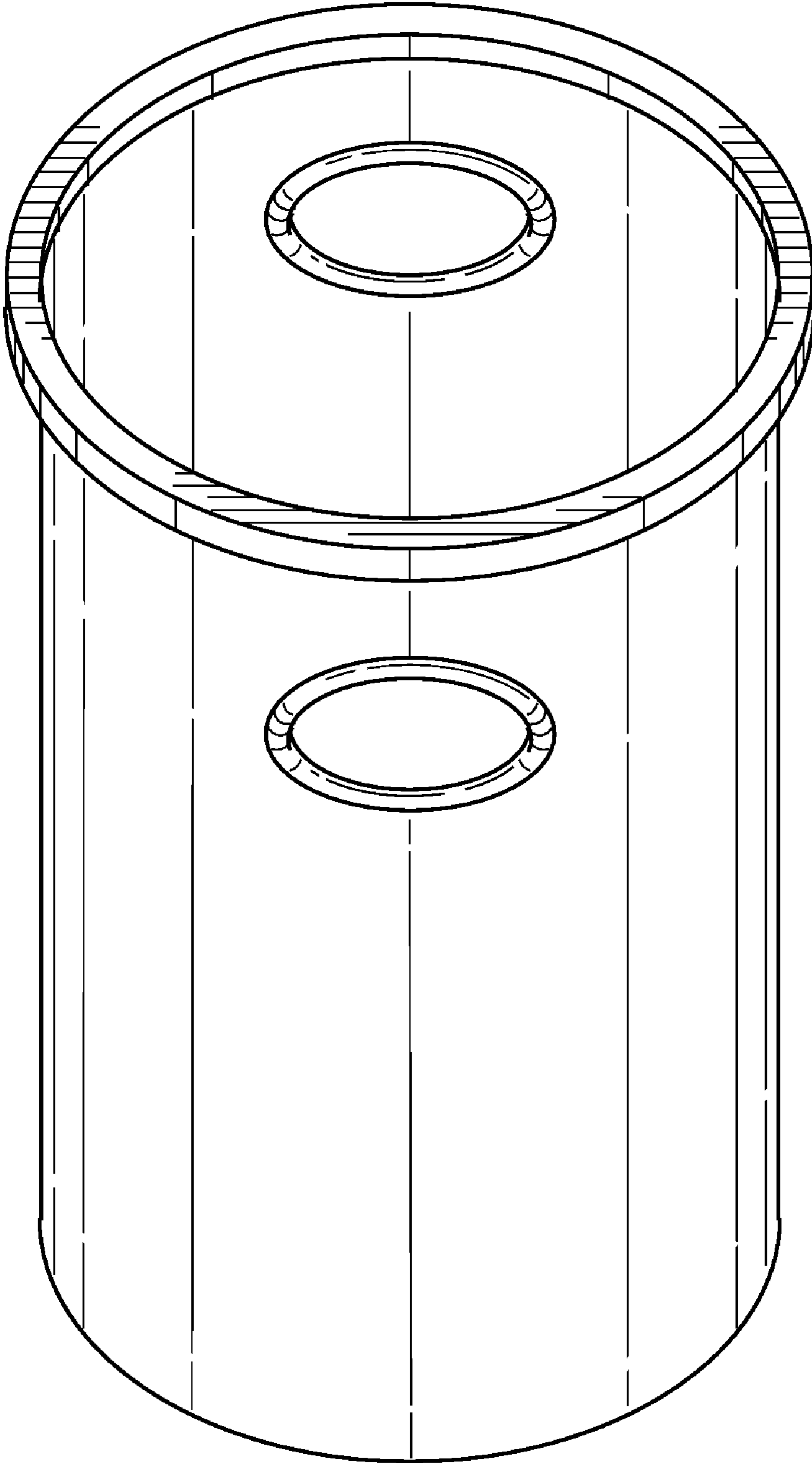


FIG. 1

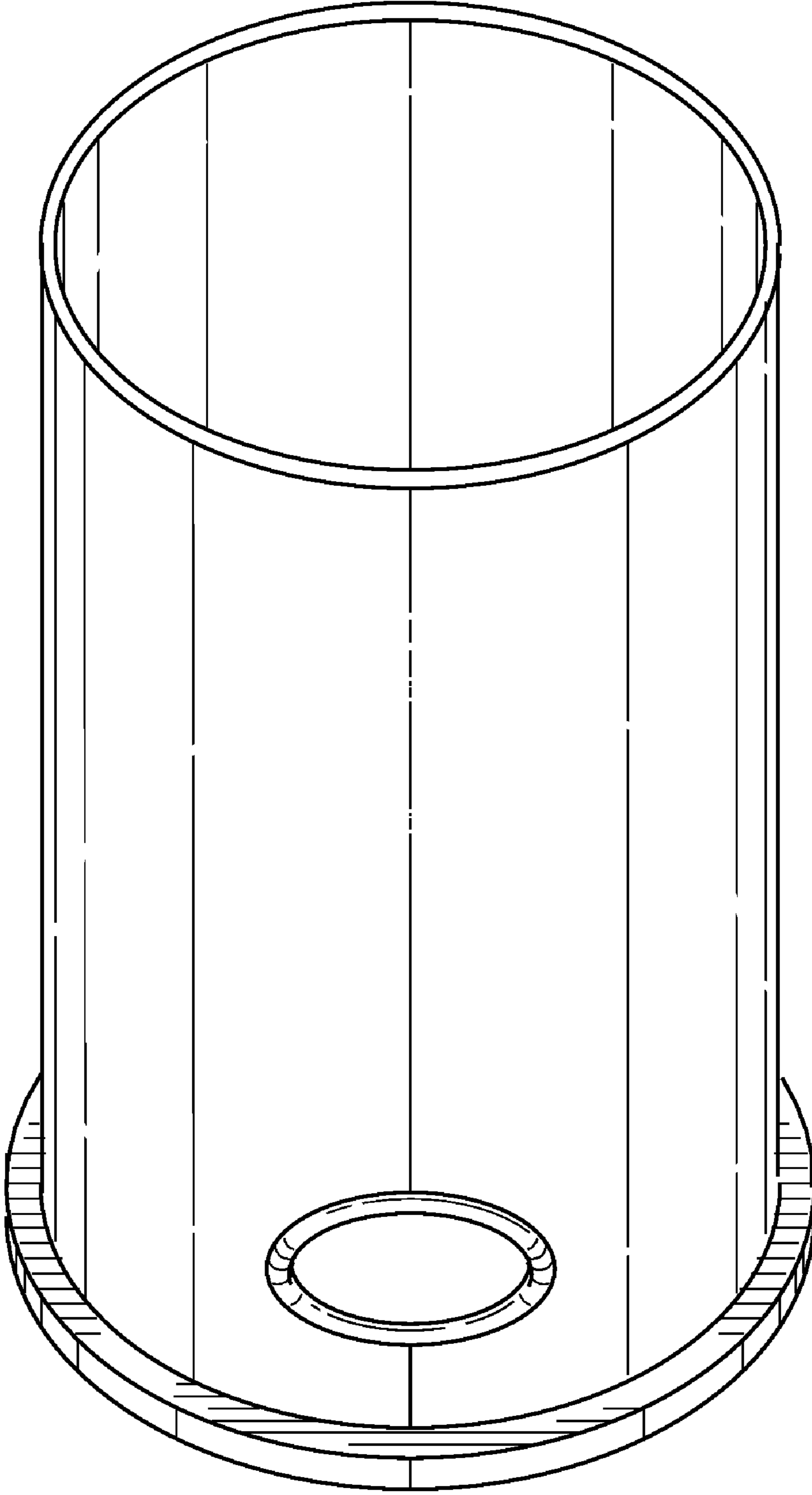


FIG. 2

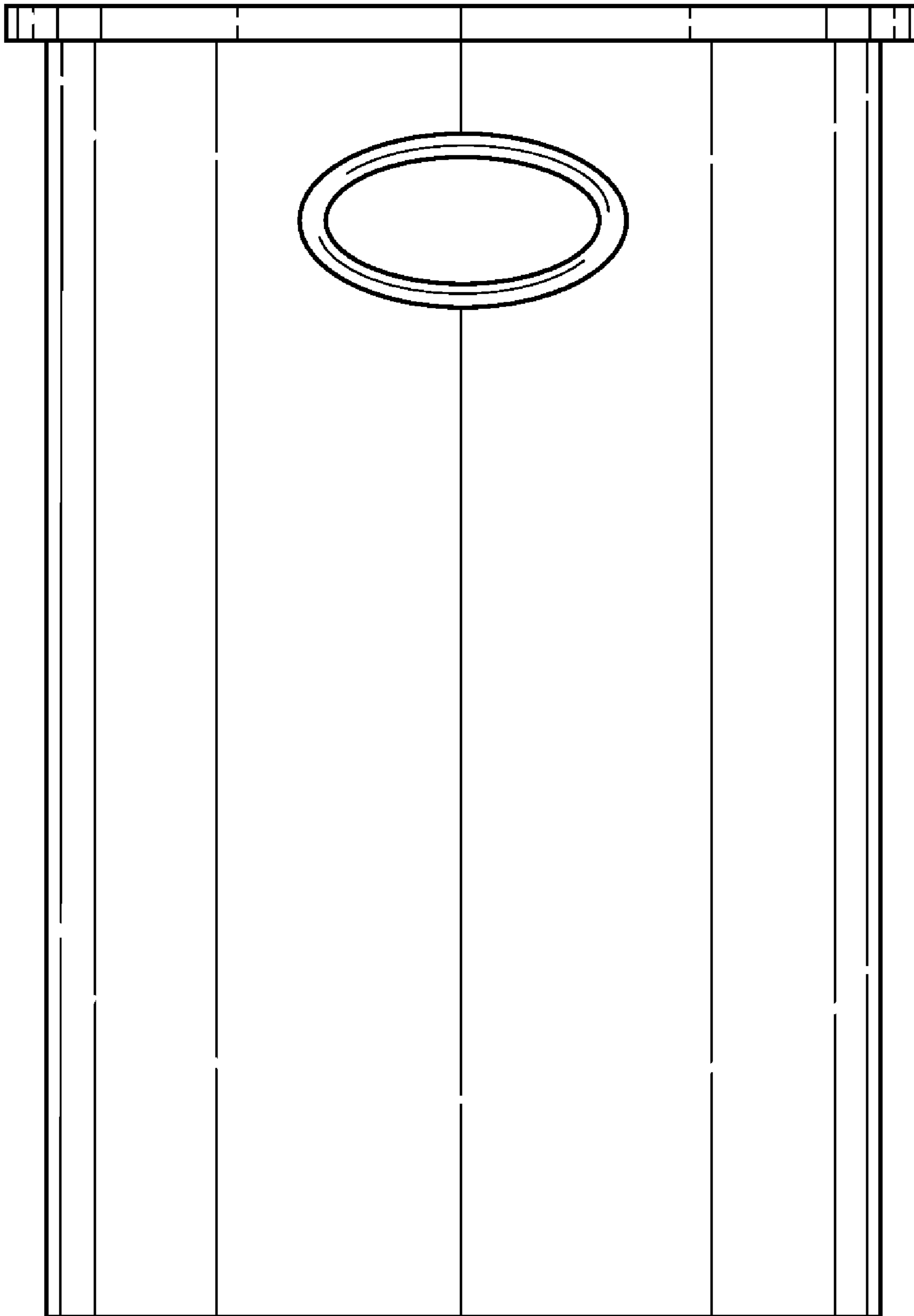


FIG. 3

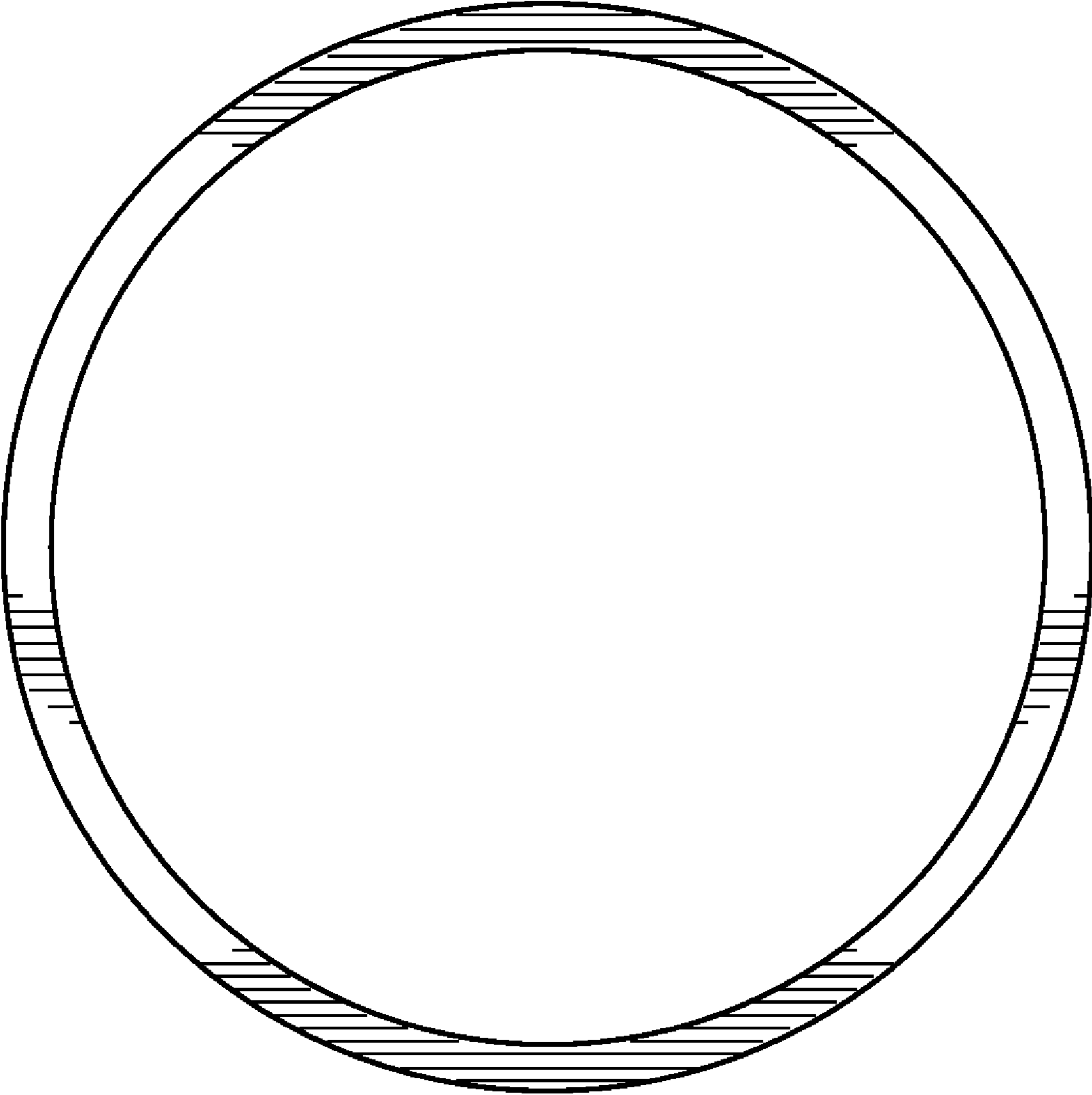


FIG. 4