



US00D553313S

(12) **United States Design Patent**
Parr et al.

(10) **Patent No.:** **US D553,313 S**
(45) **Date of Patent:** **** Oct. 16, 2007**

(54) **UPRIGHT VACUUM CLEANER**
(75) Inventors: **Richard S. Parr**, Uniontown, OH (US);
Nick M. Bosyj, North Canton, OH
(US); **Douglas M. Rukavina**,
Massillon, OH (US)

(73) Assignee: **The Hoover Company**, North Canton,
OH (US)

(**) Term: **14 Years**

(21) Appl. No.: **29/267,073**

(22) Filed: **Oct. 4, 2006**

(51) **LOC (8) Cl.** **15-05**

(52) **U.S. Cl.** **D32/22**

(58) **Field of Classification Search** D32/21-24,
D32/31-33, 40-42, 45, 50-51; 15/244.1,
15/209.1, 228, 350-353, 361, 320-322, 400-401,
15/412-414, 415.1-422, 422.1, 327.1-327.7;
D12/204-213; D21/779, 563; 401/138,
401/268

See application file for complete search history.

(56) **References Cited**

U.S. PATENT DOCUMENTS

D403,482 S	12/1998	Essex et al.	
D426,038 S	5/2000	Essex et al.	
D428,677 S	7/2000	Saunders et al.	
D439,379 S	3/2001	Gammack et al.	
D440,365 S	4/2001	Salo et al.	
D443,121 S	5/2001	Hamm et al.	
D461,285 S	8/2002	Hammond	
D462,813 S *	9/2002	Nakano et al. D32/22
D465,075 S	10/2002	Wright et al.	
D488,894 S	4/2004	Leyden	

D506,043 S	6/2005	Kim	
D509,633 S	9/2005	Santiago	
D510,465 S *	10/2005	Takahashi et al. D32/22
D515,755 S	2/2006	Leyden	
D516,760 S	3/2006	Choi	
D519,250 S	4/2006	Leyden	
D522,200 S	5/2006	Scheifele et al.	
D531,770 S	11/2006	Luebbering et al.	
D532,944 S *	11/2006	Choi D32/22
D533,697 S	12/2006	Ikeno et al.	
D535,069 S *	1/2007	Breit D32/22
D535,070 S *	1/2007	Shin D32/22
D535,071 S	1/2007	Choi	
D537,584 S *	2/2007	Greene et al. D32/22

* cited by examiner

Primary Examiner—Ruth McInroy

(74) *Attorney, Agent, or Firm*—Renner, Kenner, Greive,
Bobak, Taylor & Weber

(57) **CLAIM**

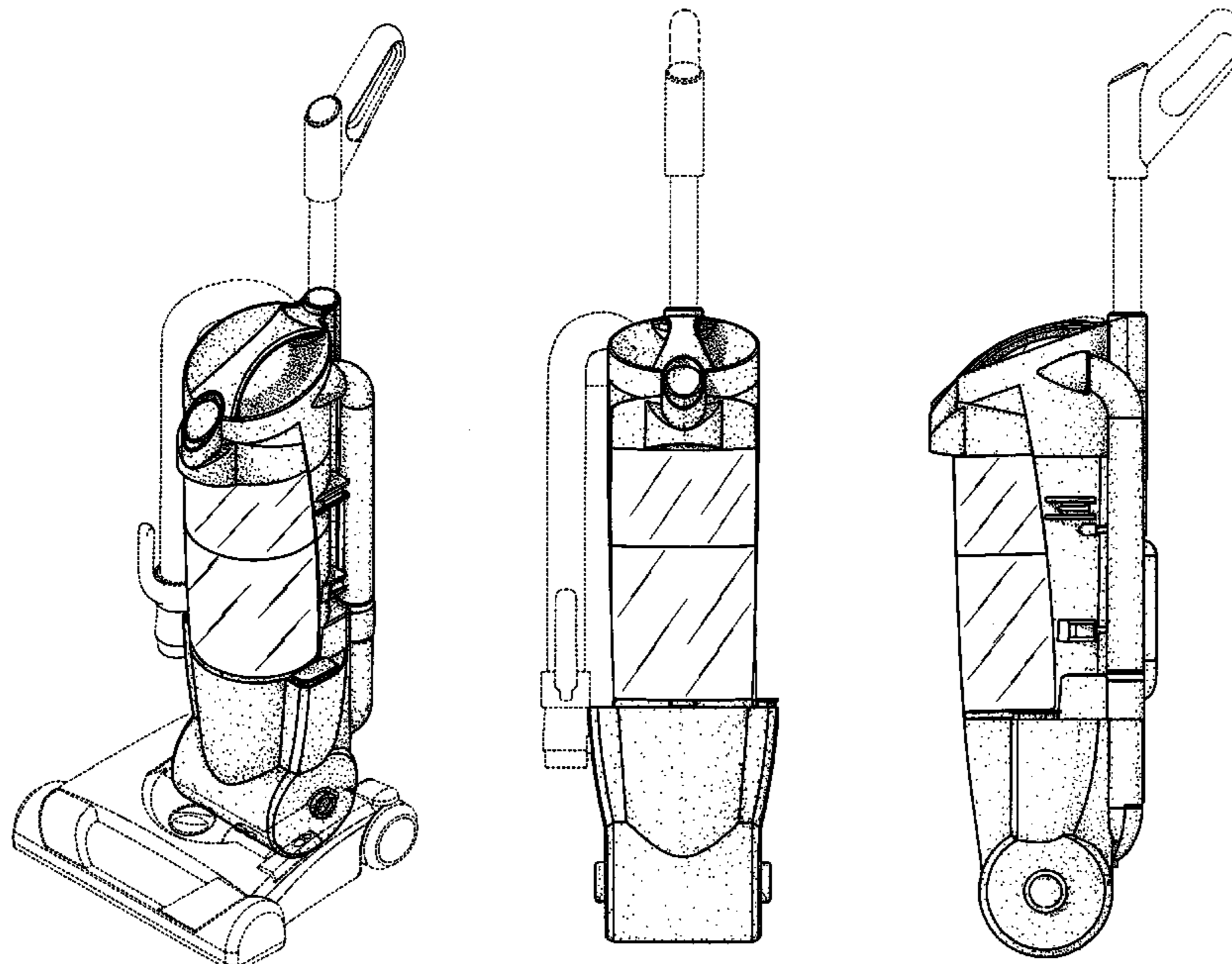
The ornamental design for an upright vacuum cleaner, as
shown and described.

DESCRIPTION

FIG. 1 is a front perspective view of a upright vacuum
cleaner for a floor care appliance showing our new design;
FIG. 2 is a front view thereof;
FIG. 3 is a left side view thereof;
FIG. 4 is a right side view thereof;
FIG. 5 is a top view thereof; and,
FIG. 6 is a rear view thereof.

The portions shown in dashed lines are shown for illustrative
purposes only and form no part of the claimed design.

1 Claim, 6 Drawing Sheets



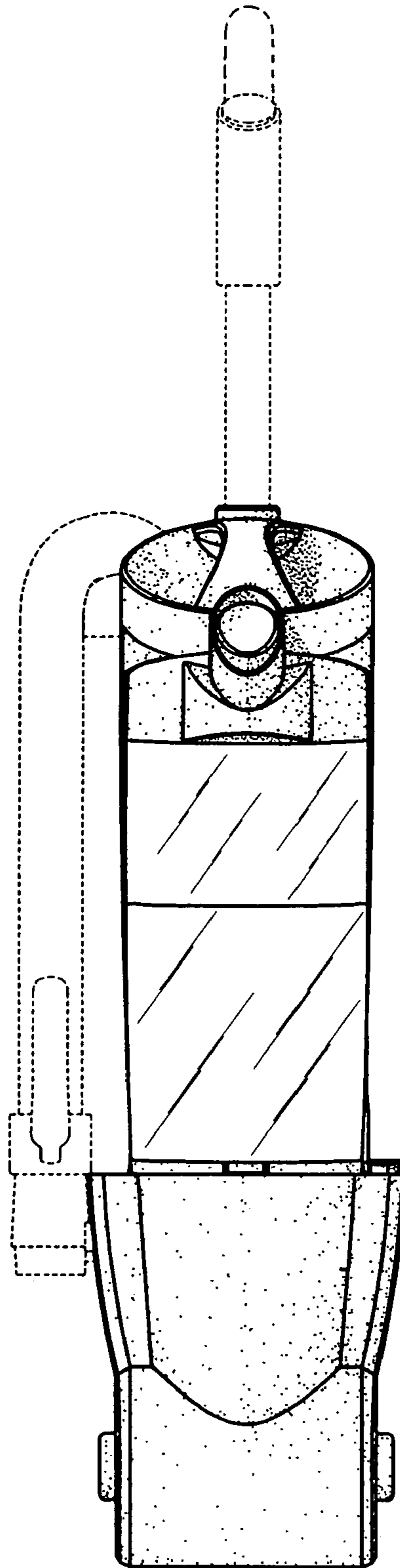


FIG-2

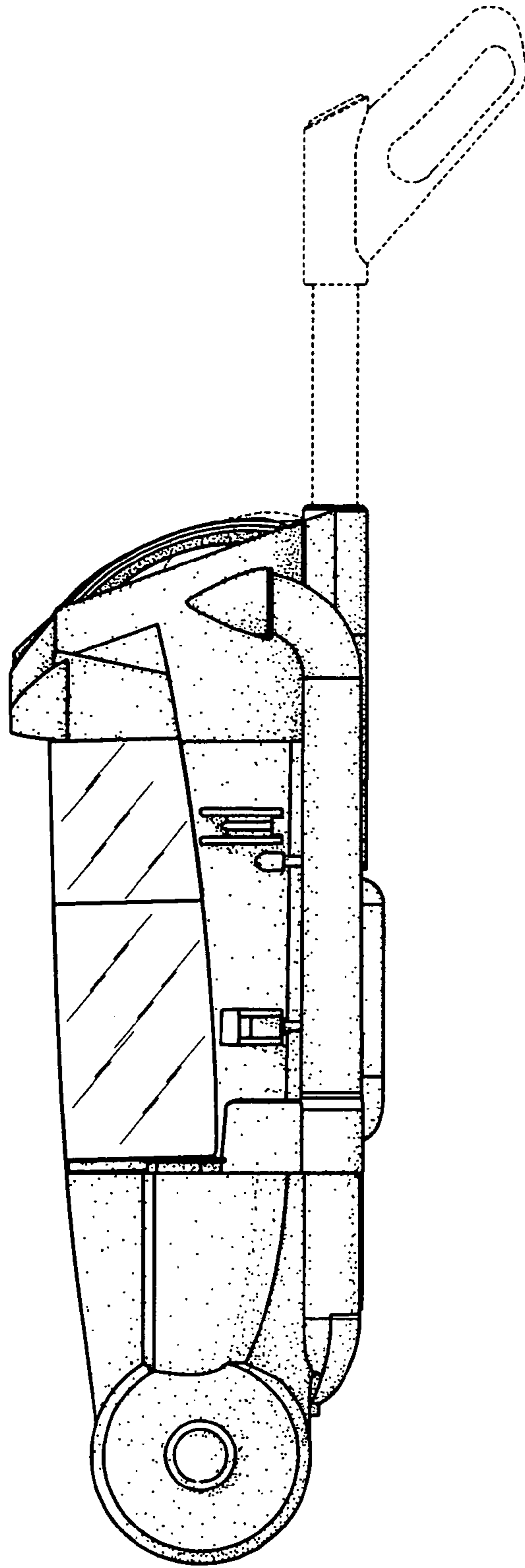


FIG-3

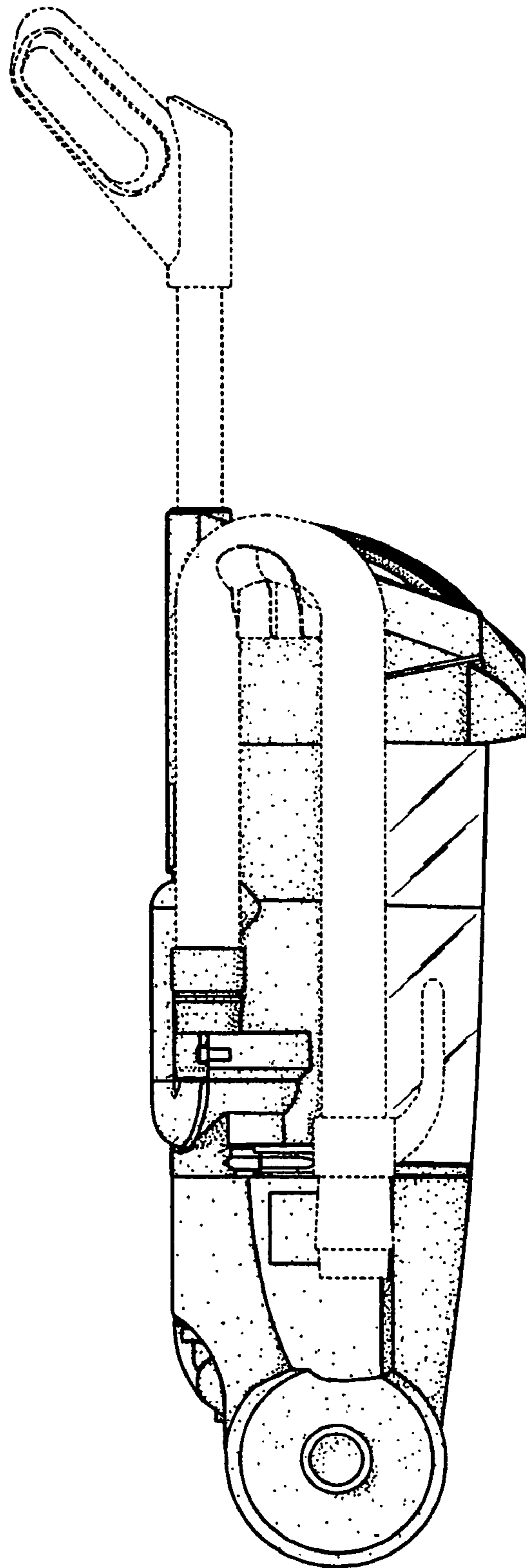


FIG-4

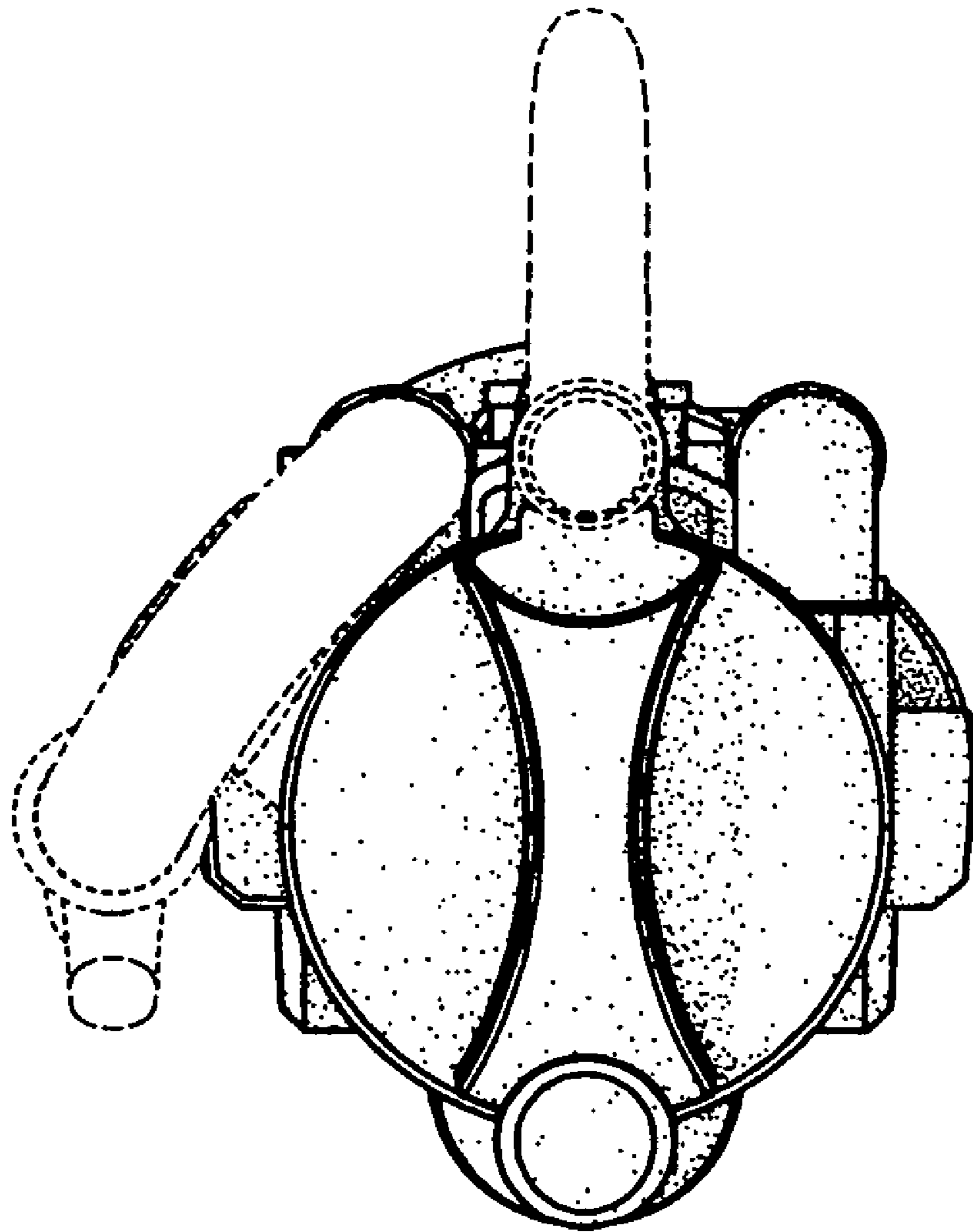


FIG-5

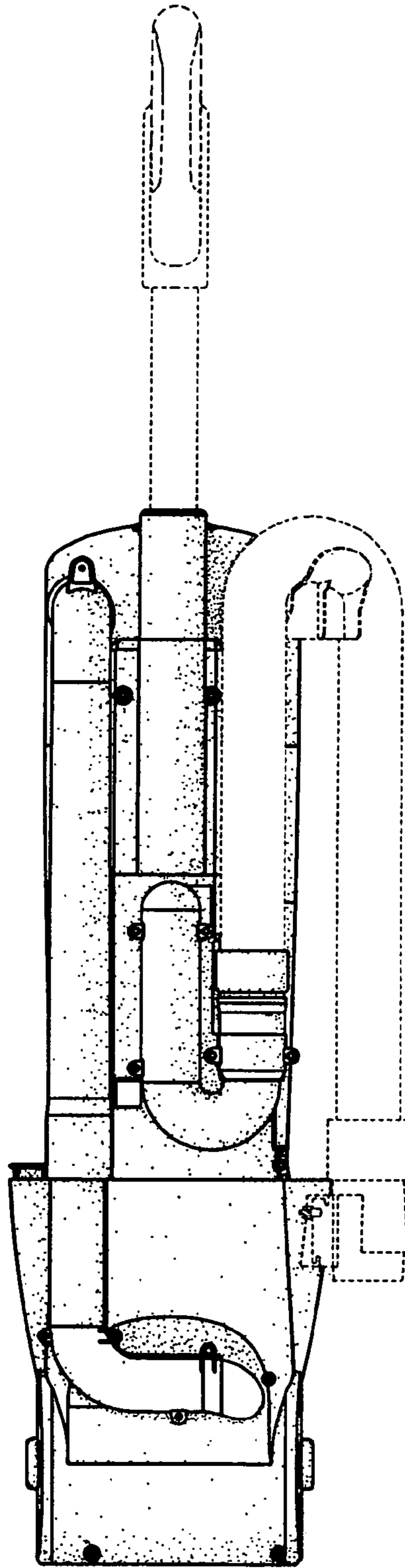


FIG-6