



US00D553298S

(12) **United States Design Patent** (10) **Patent No.:** **US D553,298 S**
Armentrout et al. (45) **Date of Patent:** **** Oct. 16, 2007**

(54) **PERSONNEL MARKER**
(75) Inventors: **Douglas B. Armentrout**, Purcellville, VA (US); **Thomas R. Boyer**, Gambrills, MD (US)
(73) Assignee: **TVI Corporation**, Glenn Dale, MD (US)
(**) Term: **14 Years**
(21) Appl. No.: **29/226,430**
(22) Filed: **Mar. 29, 2005**

(51) **LOC (8) Cl.** **29-02**
(52) **U.S. Cl.** **D29/101.1**
(58) **Field of Classification Search** D29/100, D29/101.1, 101.2, 101.3, 122, 101.4, 101.5, D29/120.1, 120.2, 121.1, 121.2; D24/124, D24/125, 189, 190; 2/16, 20, 21, 22, 23, 2/24, 62, 267, 455, 461, 459, 463, 910, 911; 602/3, 5, 6, 16, 23, 26; D2/901; 428/198, 428/542.6; D5/63; D6/608; D10/111; D20/11; 40/299.01

See application file for complete search history.

(56) **References Cited**

U.S. PATENT DOCUMENTS

4,795,399 A * 1/1989 Davis 2/460
5,295,950 A * 3/1994 Godley D24/189
D372,097 S * 7/1996 Albert et al. D24/189
D383,081 S * 9/1997 Ffrench D10/111
D396,756 S * 8/1998 Flauto et al. D20/11
D402,417 S * 12/1998 Mibus et al. D29/122
D454,774 S * 3/2002 Stahl D29/122

D471,984 S * 3/2003 Dunshee et al. D24/189
D479,559 S * 9/2003 Morrow et al. D20/11
6,701,649 B1 3/2004 Brosi 40/299.04
D492,411 S * 6/2004 Bierman D24/189
D495,419 S * 8/2004 Dunshee D24/189
D523,497 S * 6/2006 Johnson et al. D20/11

* cited by examiner

Primary Examiner—T. Chase Nelson
(74) *Attorney, Agent, or Firm*—Whiteford, Taylor & Preston LLP; Jeffrey C. Maynard; Gregory M. Stone

(57) **CLAIM**

The ornamental design for a personnel marker, as shown and described.

DESCRIPTION

FIG. 1 is a perspective view of a personnel marker according to the new design.
FIG. 2 is a top view of the personnel marker illustrated in FIG. 1.
FIG. 3 is a bottom view of the personnel marker illustrated in FIG. 1.
FIG. 4 is a left side view of the personnel marker illustrated in FIG. 1.
FIG. 5 is a right side view of the personnel marker illustrated in FIG. 1.
FIG. 6 is a front view of the personnel marker illustrated in FIG. 1; and,
FIG. 7 is a rear view of the personnel marker illustrated in FIG. 1.

1 Claim, 4 Drawing Sheets

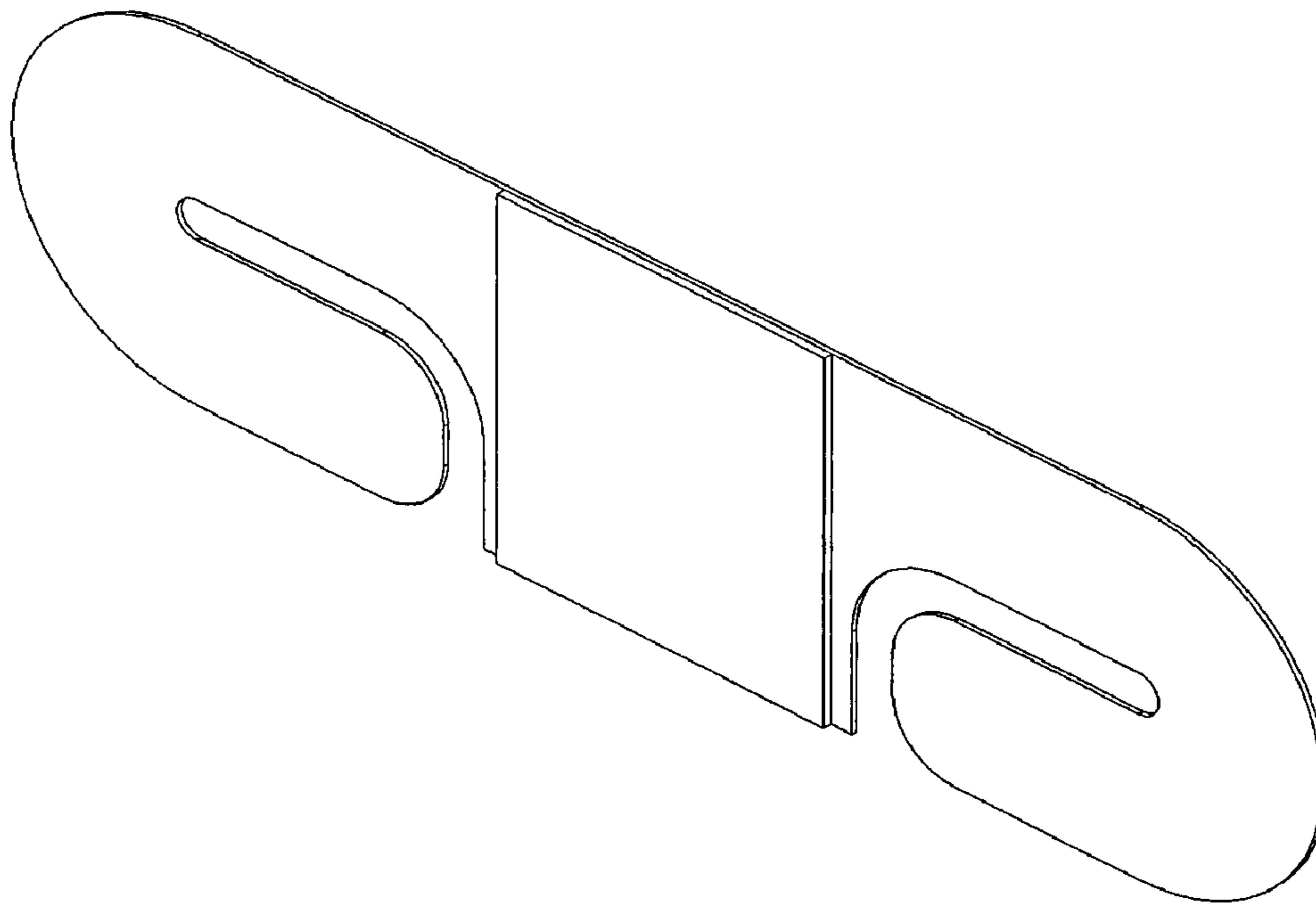


FIGURE 1

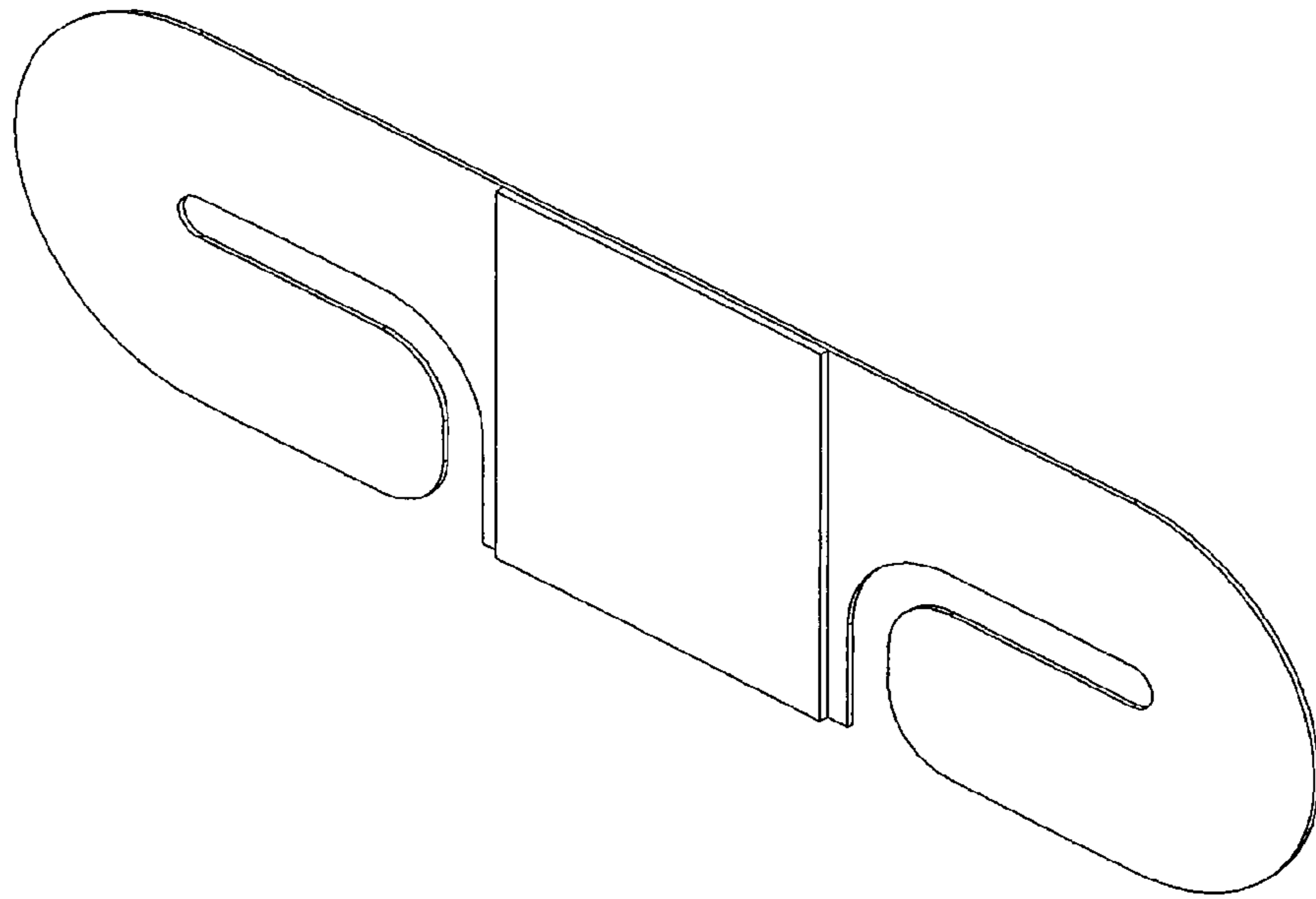


FIGURE 2

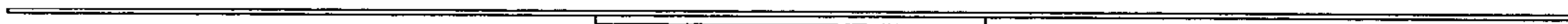


FIGURE 3

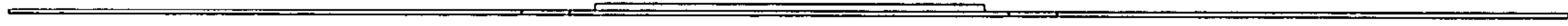


FIGURE 4



FIGURE 5



FIGURE 6

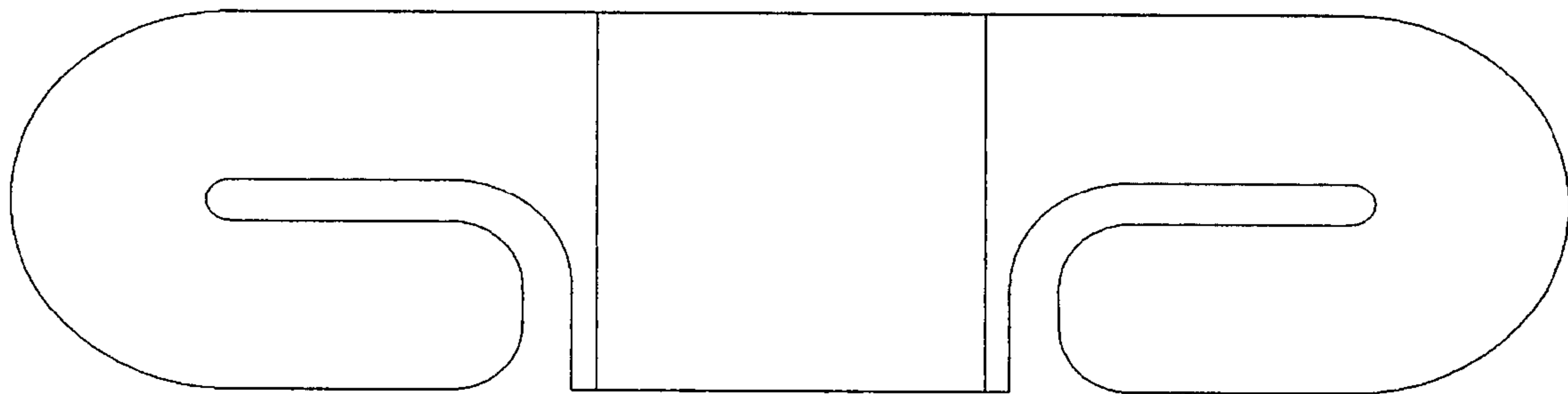


FIGURE 7

