



US00D553296S

(12) **United States Design Patent**
Kuethe et al.

(10) **Patent No.:** **US D553,296 S**

(45) **Date of Patent:** **** Oct. 16, 2007**

(54) **COMPACT**

(75) Inventors: **Katia Kuethe**, Brooklyn, NY (US);
Philipp Muessigmann, Brooklyn, NY (US)

(73) Assignee: **001 Corporation**, Austin, TX (US)

(**) Term: **14 Years**

(21) Appl. No.: **29/243,819**

(22) Filed: **Nov. 30, 2005**

(51) **LOC (8) Cl.** **28-03**

(52) **U.S. Cl.** **D28/83**

(58) **Field of Classification Search** 132/286–288,
132/293–307, 312–318; D28/64.1, 64.3,
D28/76–84; 206/581, 823

See application file for complete search history.

(56) **References Cited**

U.S. PATENT DOCUMENTS

D51,367 S	10/1917	Eichorn	
1,601,892 A	10/1926	Thralls	
1,622,463 A	3/1927	Marcus	
D105,717 S	8/1937	Steiner	
D106,490 S	10/1937	Lux	
D146,938 S	6/1947	Crane	
D153,372 S	4/1949	McIntosh	
D156,468 S	12/1949	Ulvad	
2,761,458 A	9/1956	Werber	
3,342,190 A *	9/1967	Hultgren et al.	132/301
D272,007 S	12/1983	Cheung	
D340,541 S *	10/1993	Chen	D28/83
D368,328 S	3/1996	Wacker	
5,787,906 A	8/1998	D'Andrea	
D429,070 S *	8/2000	Marshall	D28/83
6,237,612 B1	5/2001	Heyer	
D480,181 S *	9/2003	Sheng	D28/83
2003/0034044 A1 *	2/2003	Gubernick	132/294

FOREIGN PATENT DOCUMENTS

AU 113589 3/1992

AU	126131	3/1996
EM	241575-0001	12/2003
EM	073945-0003	11/2005
JP	1157350	11/2005
JP	1265520	3/2006
JP	1280415	9/2006
JP	1265532	11/2006
KR	3019970015913	10/1998
KR	3019990026080	5/2000
TW	201606	3/1993
TW	562637	11/2003
TW	562644	11/2003

OTHER PUBLICATIONS

Page 1177, vol. C96, of "Taiwan Yellow Pages" issued on Apr. 1999.

* cited by examiner

Primary Examiner—Jennifer Rivard

(74) *Attorney, Agent, or Firm*—Cynthia R. Miller

(57) **CLAIM**

What is claimed is the ornamental design for a compact, substantially as shown and described.

DESCRIPTION

FIG. 1 is a top, front and right side perspective view of a new design for a compact;

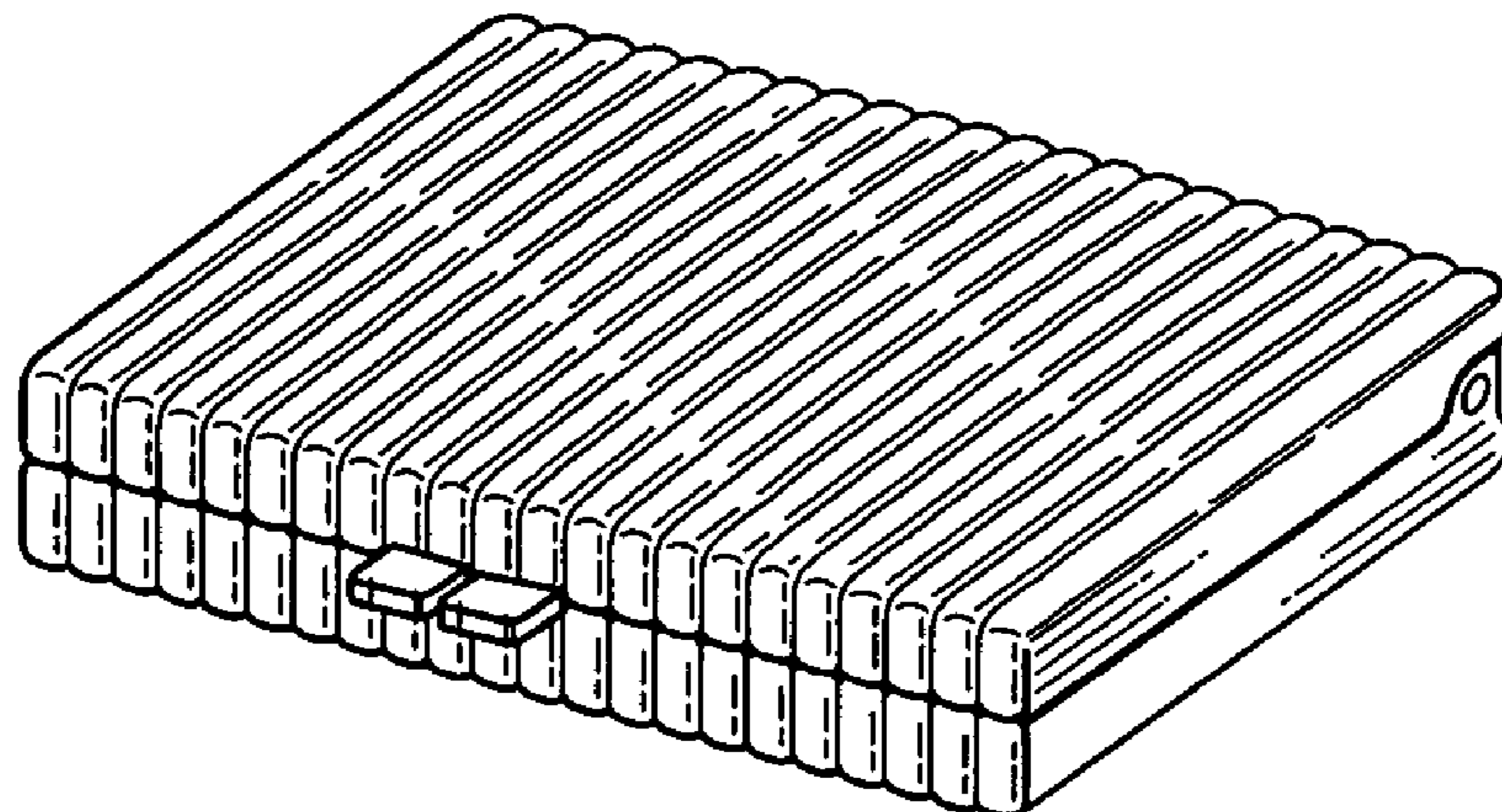
FIG. 2 is top plan view of the compact shown in FIG. 1, a bottom plan view being identical thereto;

FIG. 3 is a front elevation view of the compact shown in FIG. 1;

FIG. 4 is a right side elevation view of the compact shown in FIG. 1, a left side elevation view being a mirror image thereof; and,

FIG. 5 is a rear elevation view of the compact shown in FIG. 1.

1 Claim, 1 Drawing Sheet



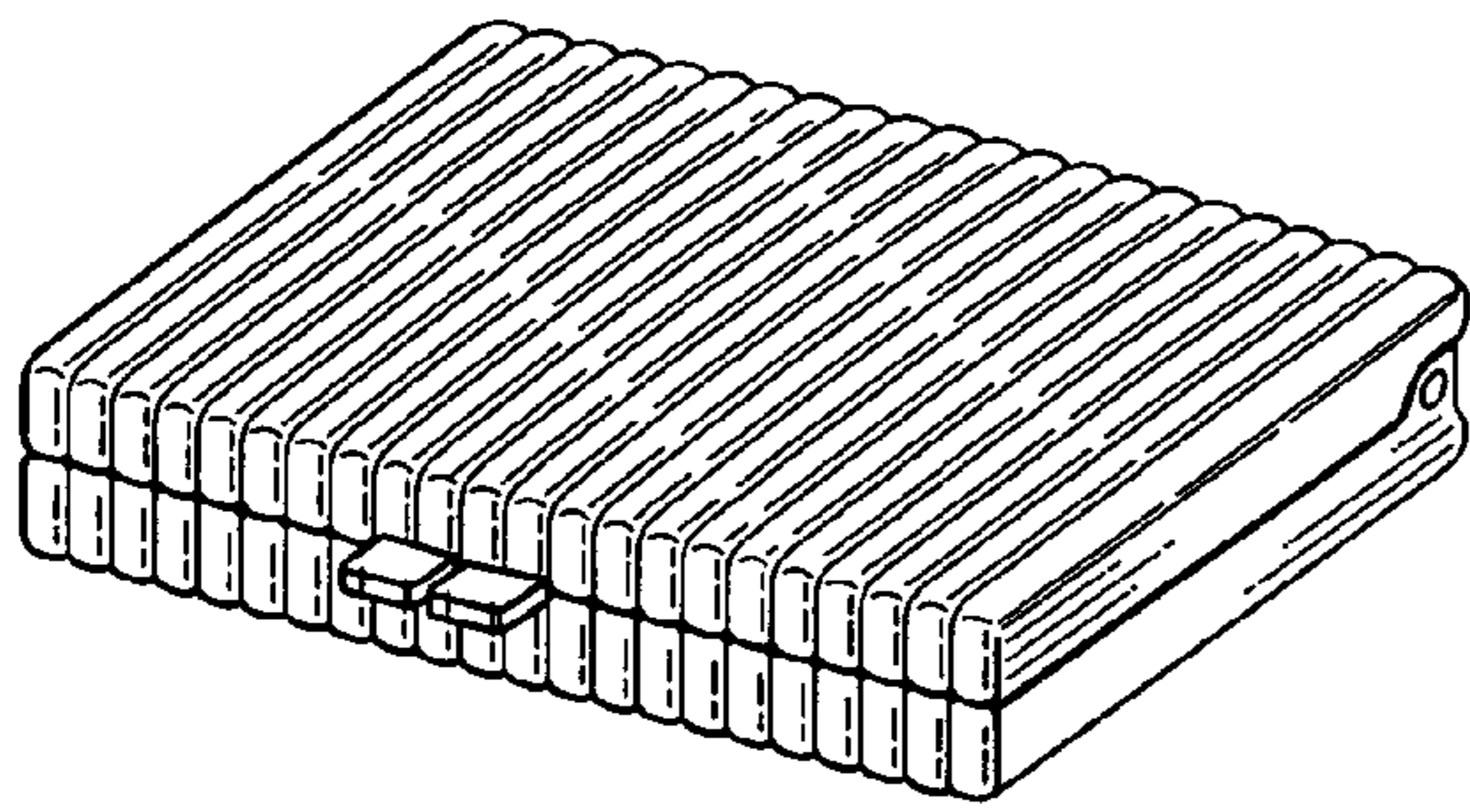


FIG. 1

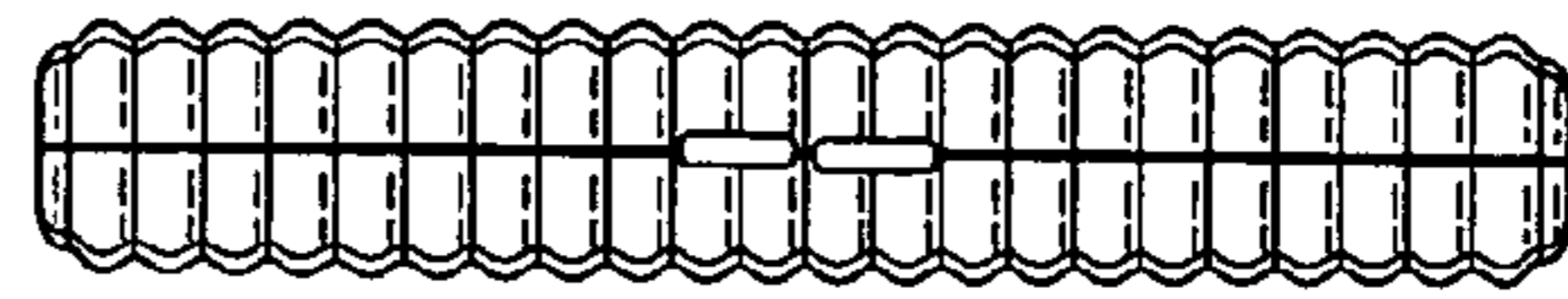


FIG. 3

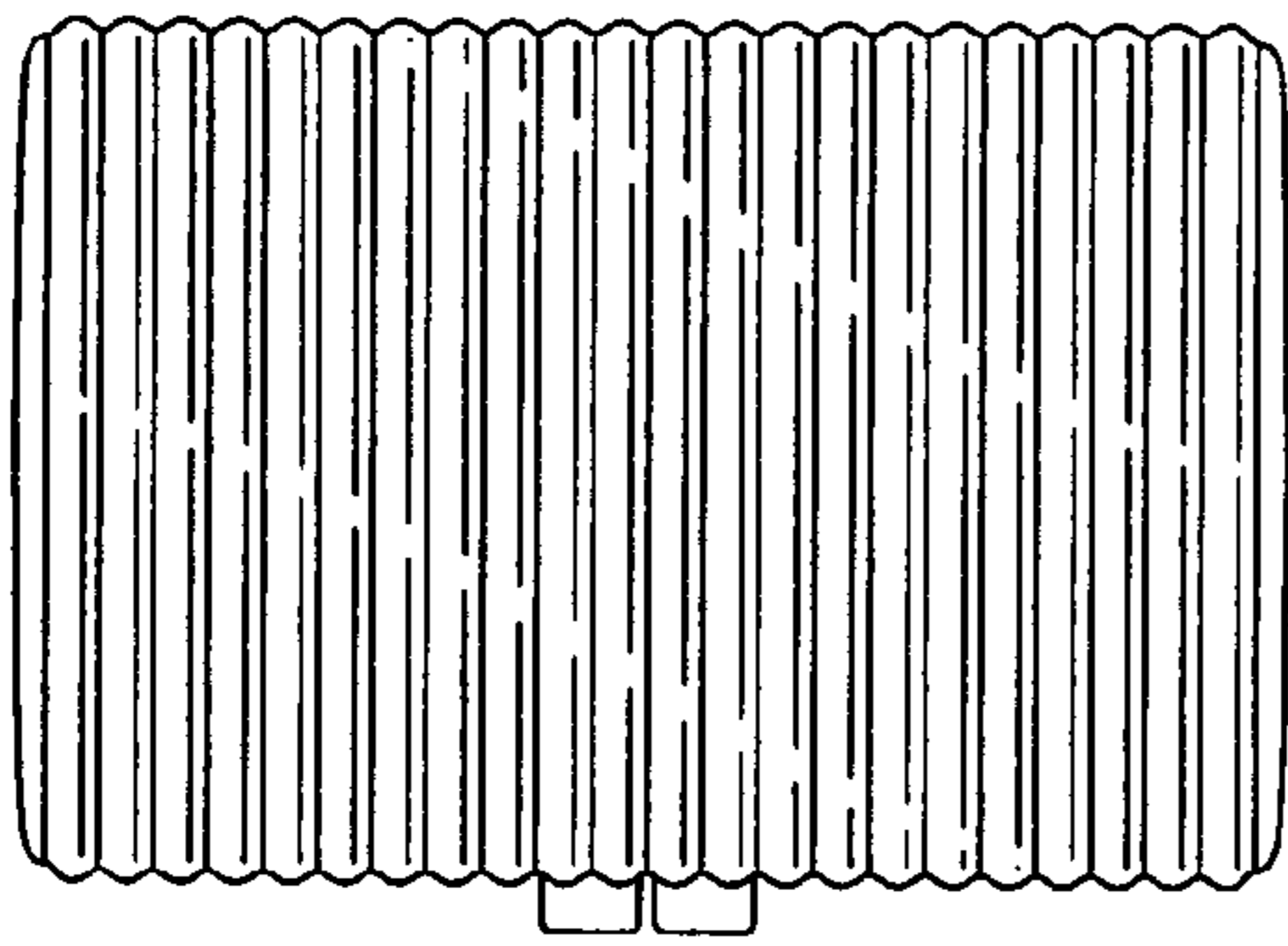


FIG. 2

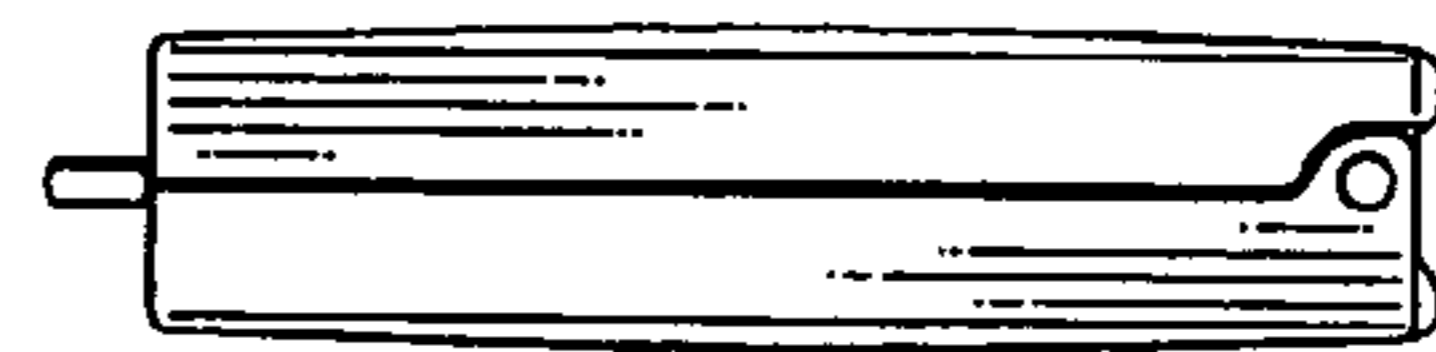


FIG. 4

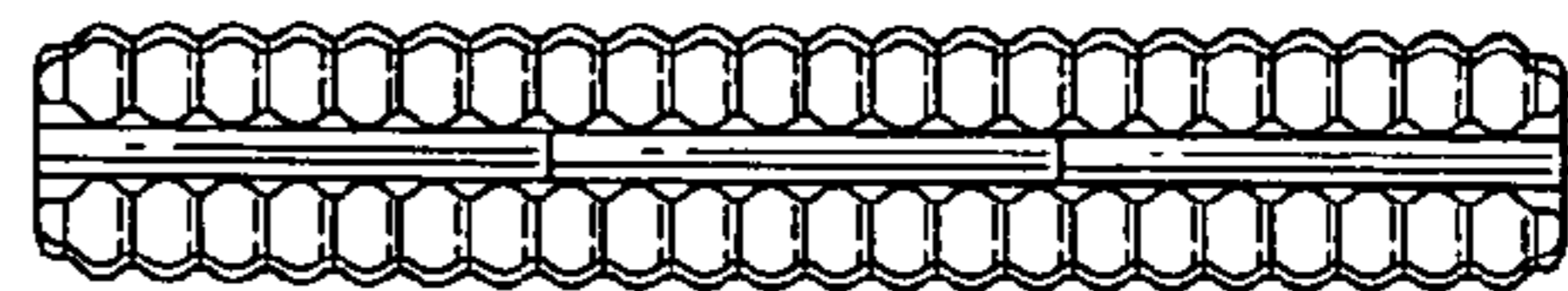


FIG. 5